



US00D550622S

(12) **United States Design Patent**
Shih

(10) **Patent No.:** **US D550,622 S**

(45) **Date of Patent:** **** Sep. 11, 2007**

(54) **FILTER CABLE CORE**

6,074,503 A * 6/2000 Clark et al. 156/50
D463,365 S * 9/2002 Sakai et al. D13/118

(75) Inventor: **Hsueh-Ming Shih**, Taipei (TW)

* cited by examiner

(73) Assignee: **Tak Technology Co., Ltd.**, Taoyuan
County (TW)

Primary Examiner—Prabhakar Deshmukh

Assistant Examiner—Derrick Holland

(**) Term: **14 Years**

(74) *Attorney, Agent, or Firm*—Birch, Stewart, Kolasch &
Birch, LLP

(21) Appl. No.: **29/258,663**

(57) **CLAIM**

(22) Filed: **Apr. 26, 2006**

The ornamental design for “filter cable core,” as shown and
described.

(51) **LOC (8) Cl.** **13-01**

(52) **U.S. Cl.** **D13/118**

(58) **Field of Classification Search** D13/118,
D13/117, 153, 183; 333/181, 185; 336/65,
336/83, 183, 192, 198

DESCRIPTION

See application file for complete search history.

FIG. 1 is a perspective view of “filter cable core” showing
my new design thereof;

FIG. 2 is a right side elevational view thereof;

FIG. 3 is a top plan view thereof;

FIG. 4 is a front side elevational view thereof;

FIG. 5 is a bottom plan view thereof.;

FIG. 6 is a left side elevational view thereof; and,

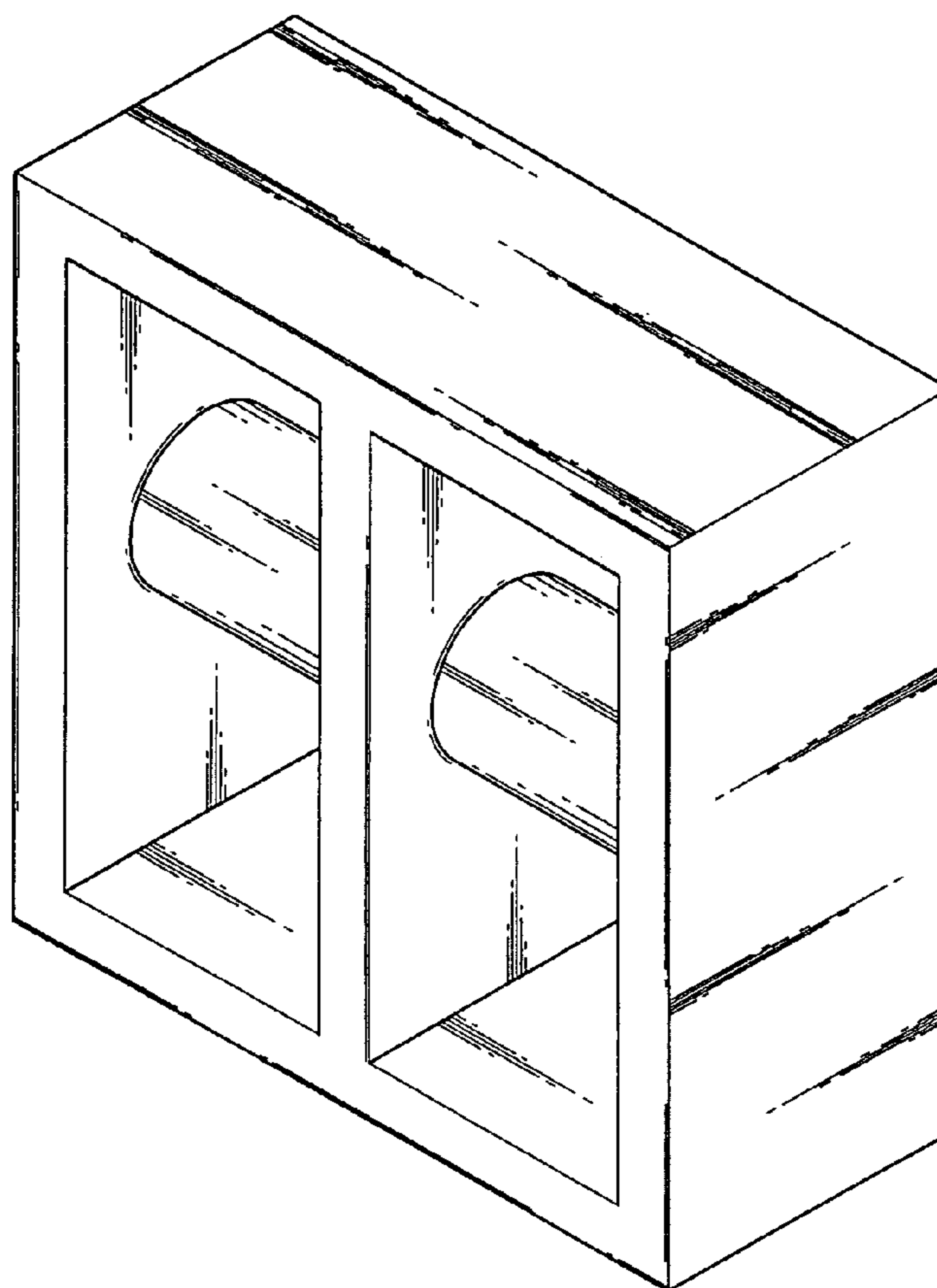
FIG. 7 is a rear side elevational view thereof.

(56) **References Cited**

U.S. PATENT DOCUMENTS

D188,245 S * 6/1960 Hall D13/183
3,371,301 A * 2/1968 Hisano 336/83
4,047,138 A * 9/1977 Steigerwald 336/100
D330,541 S * 10/1992 Burrow et al. D13/183
5,163,338 A * 11/1992 Sharp et al. 74/502.4
D404,009 S * 1/1999 Tolmie et al. D13/153

1 Claim, 4 Drawing Sheets



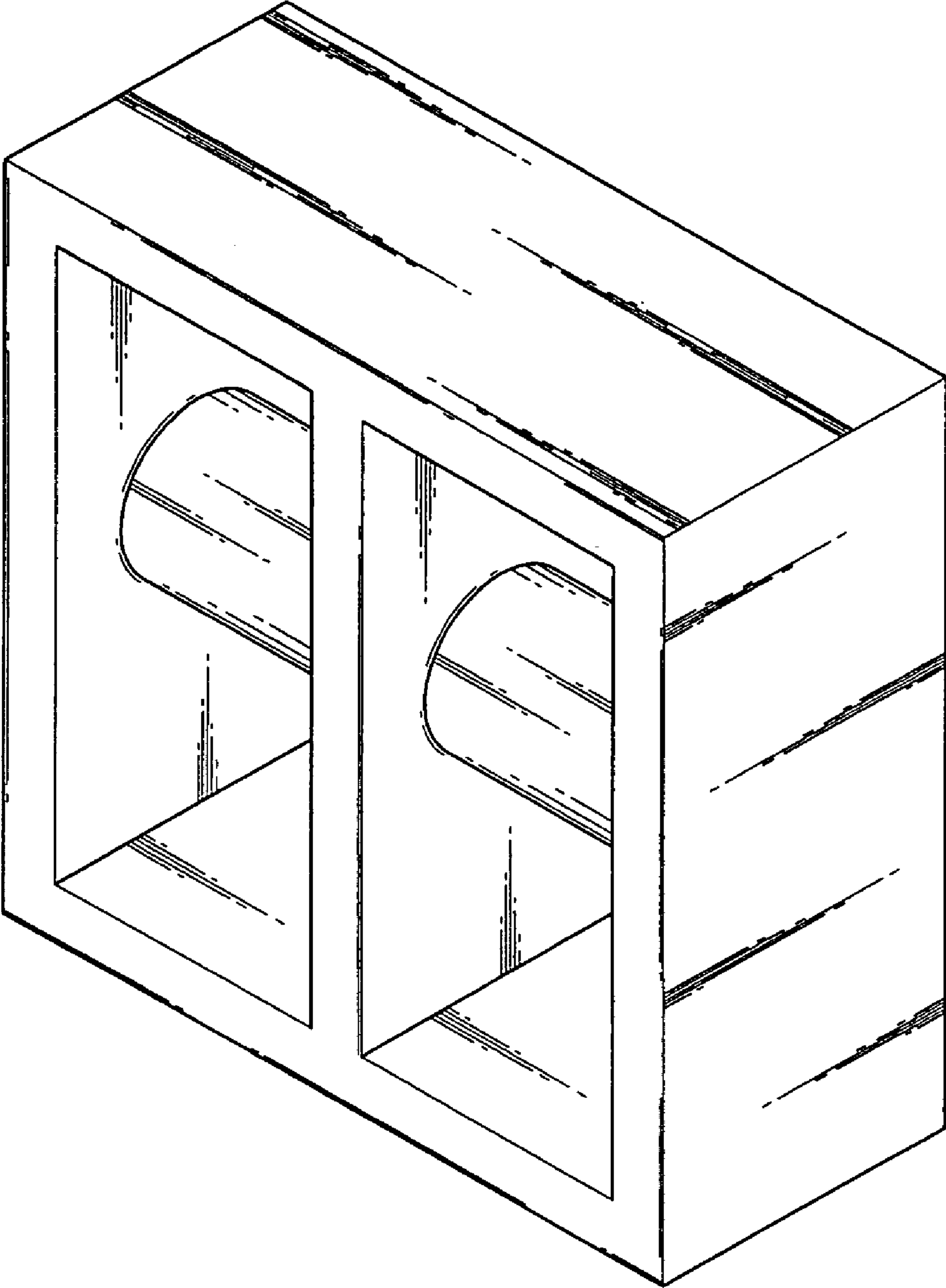


Fig. 1

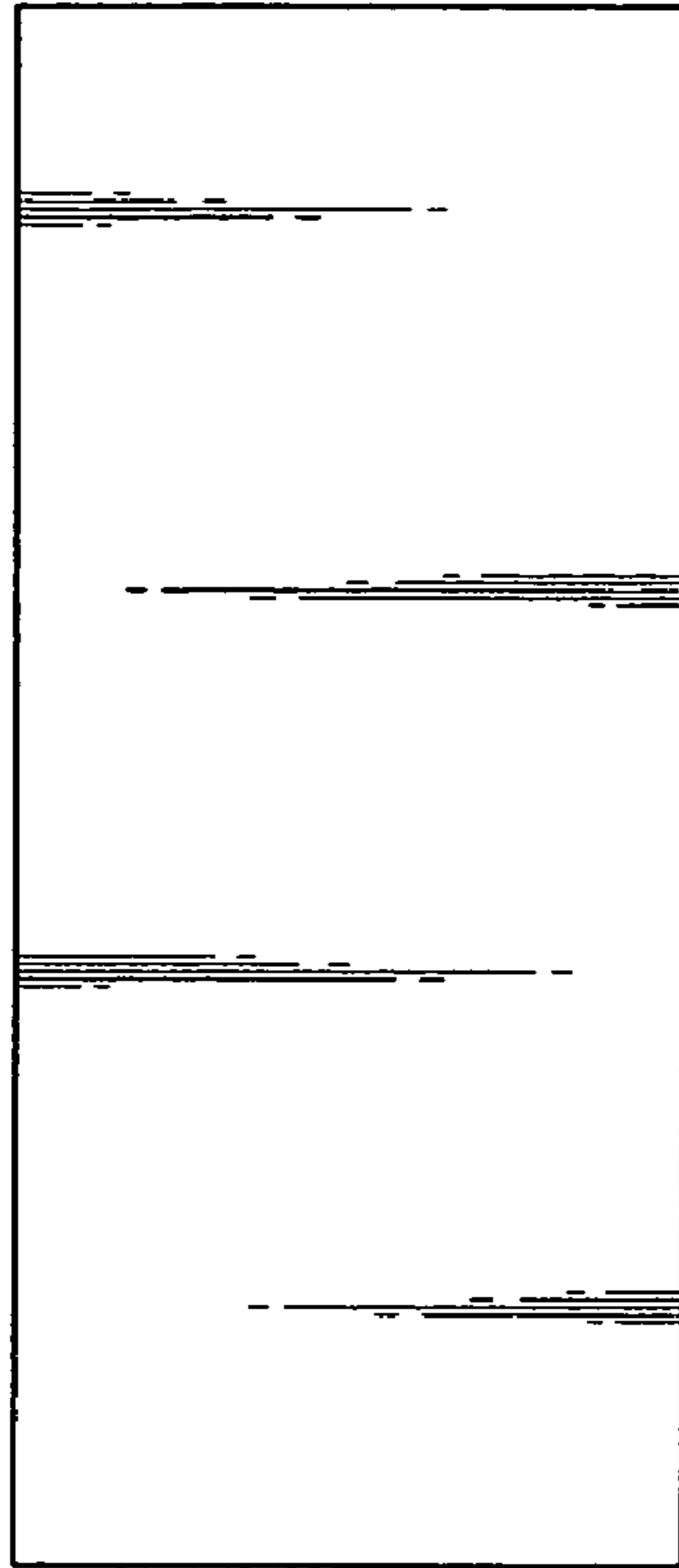


Fig. 2

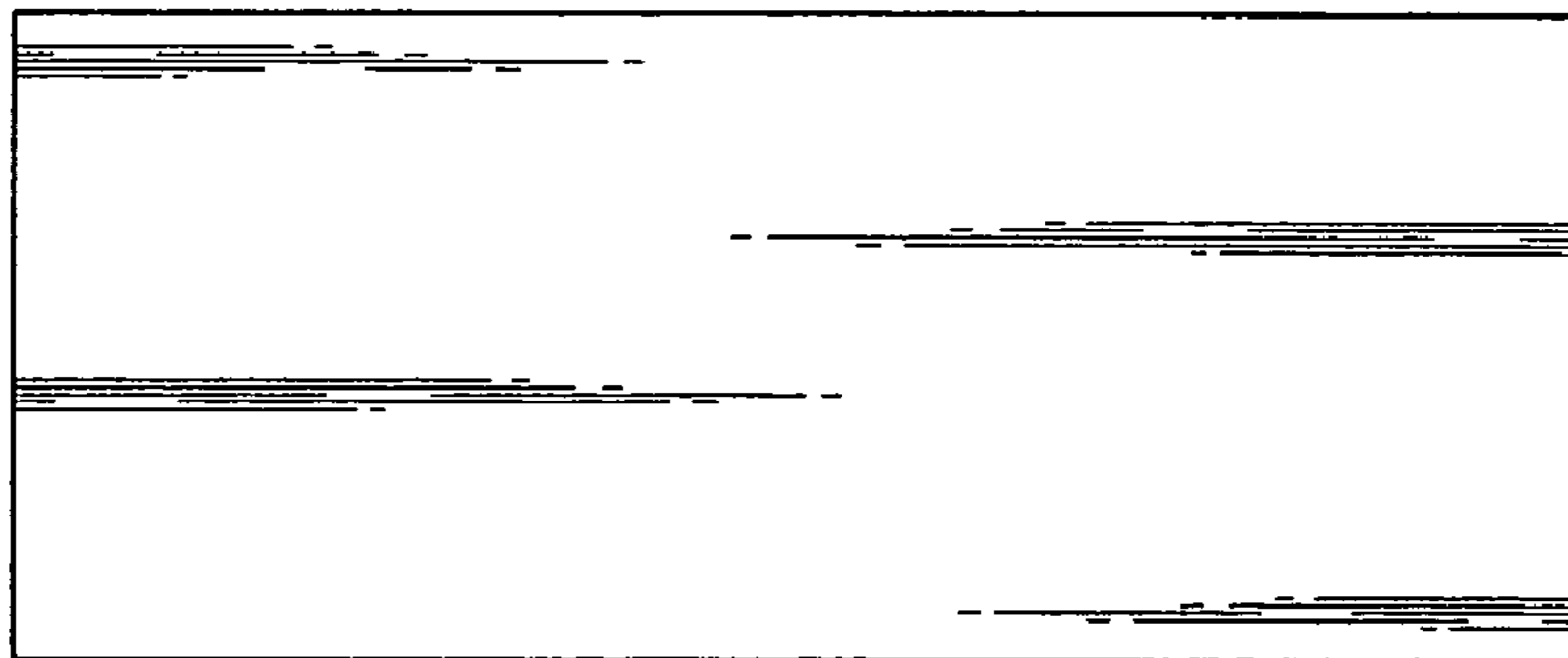


Fig. 3

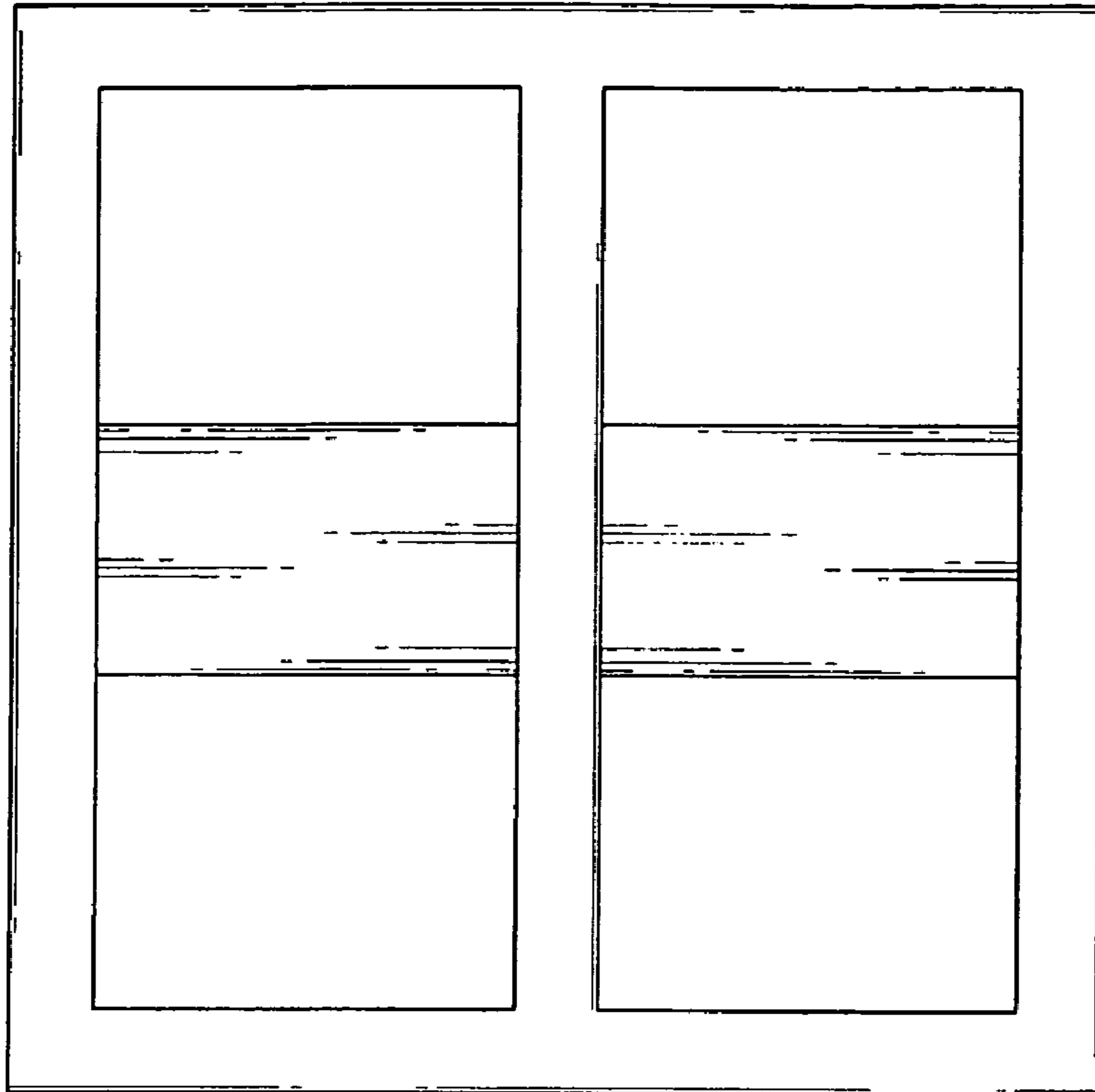


Fig. 4

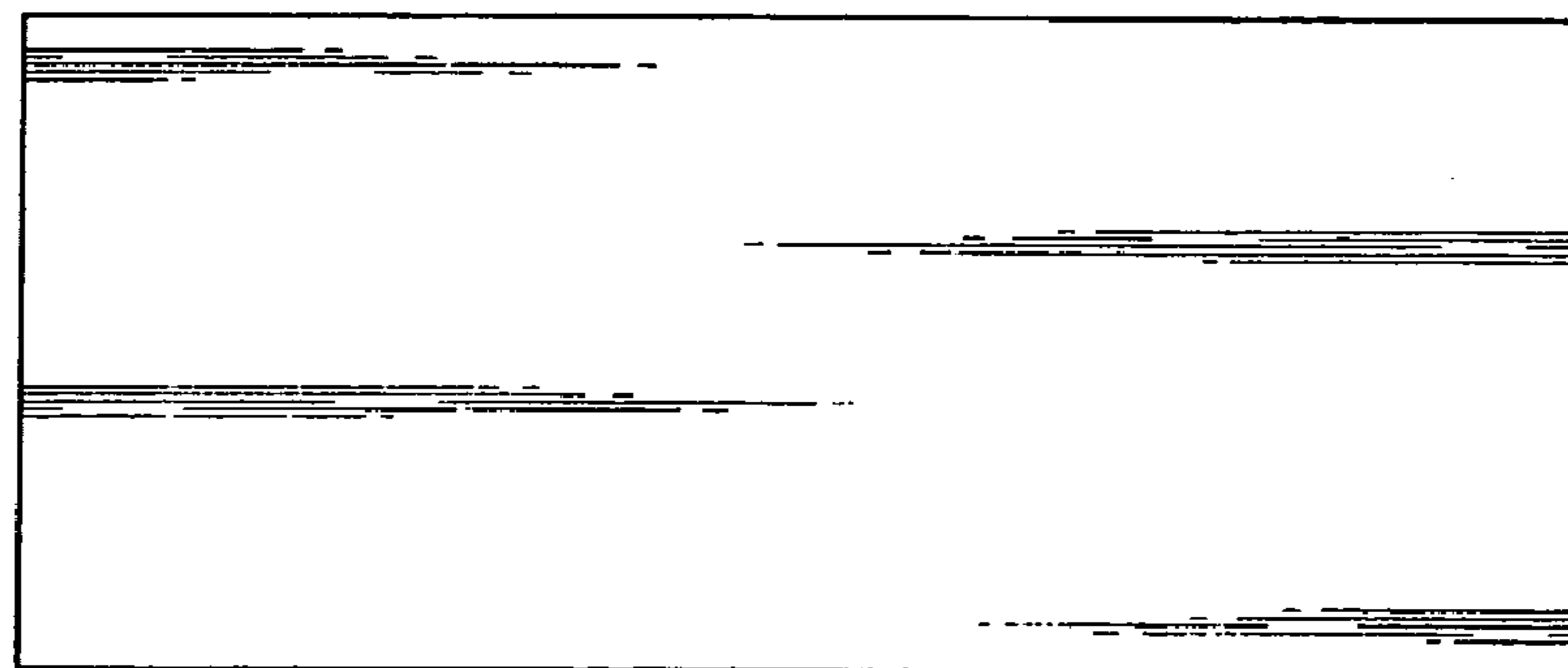


Fig. 5

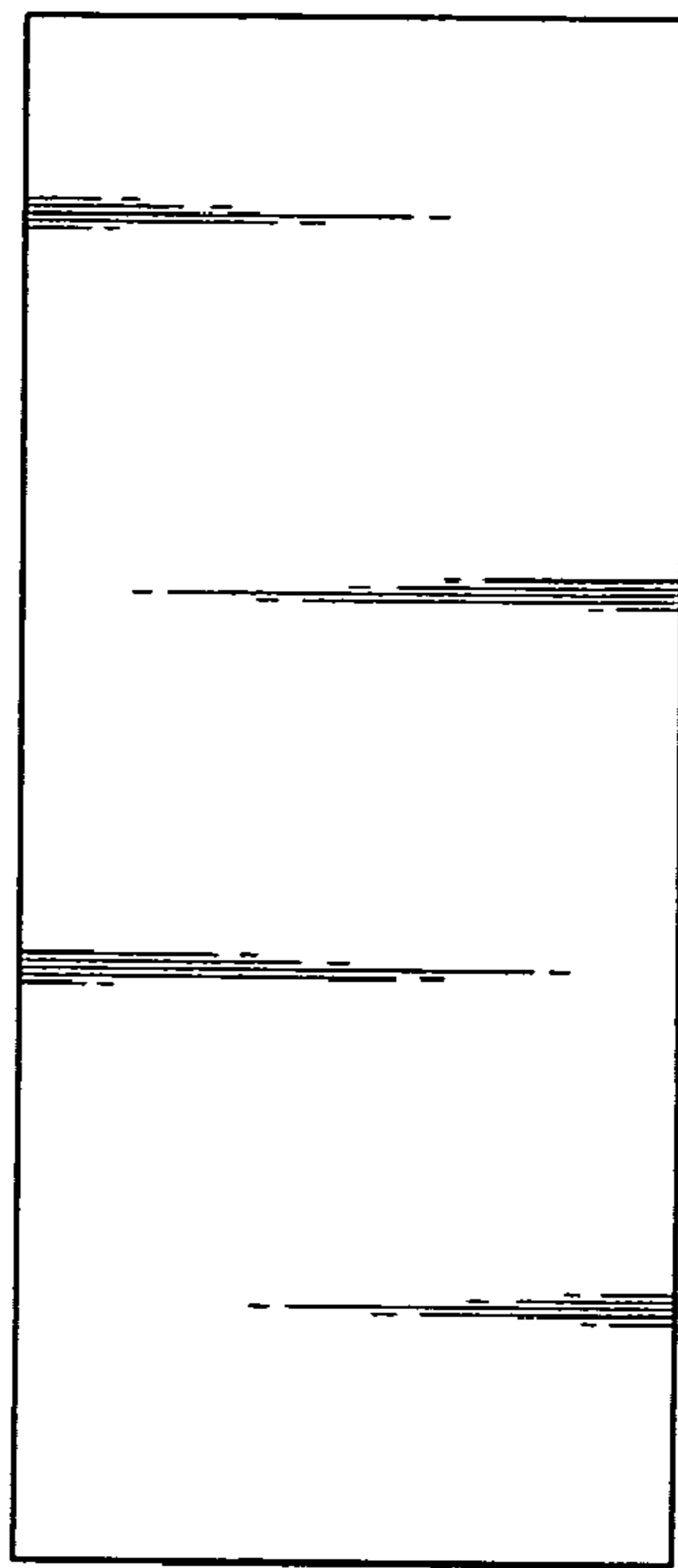


Fig. 6

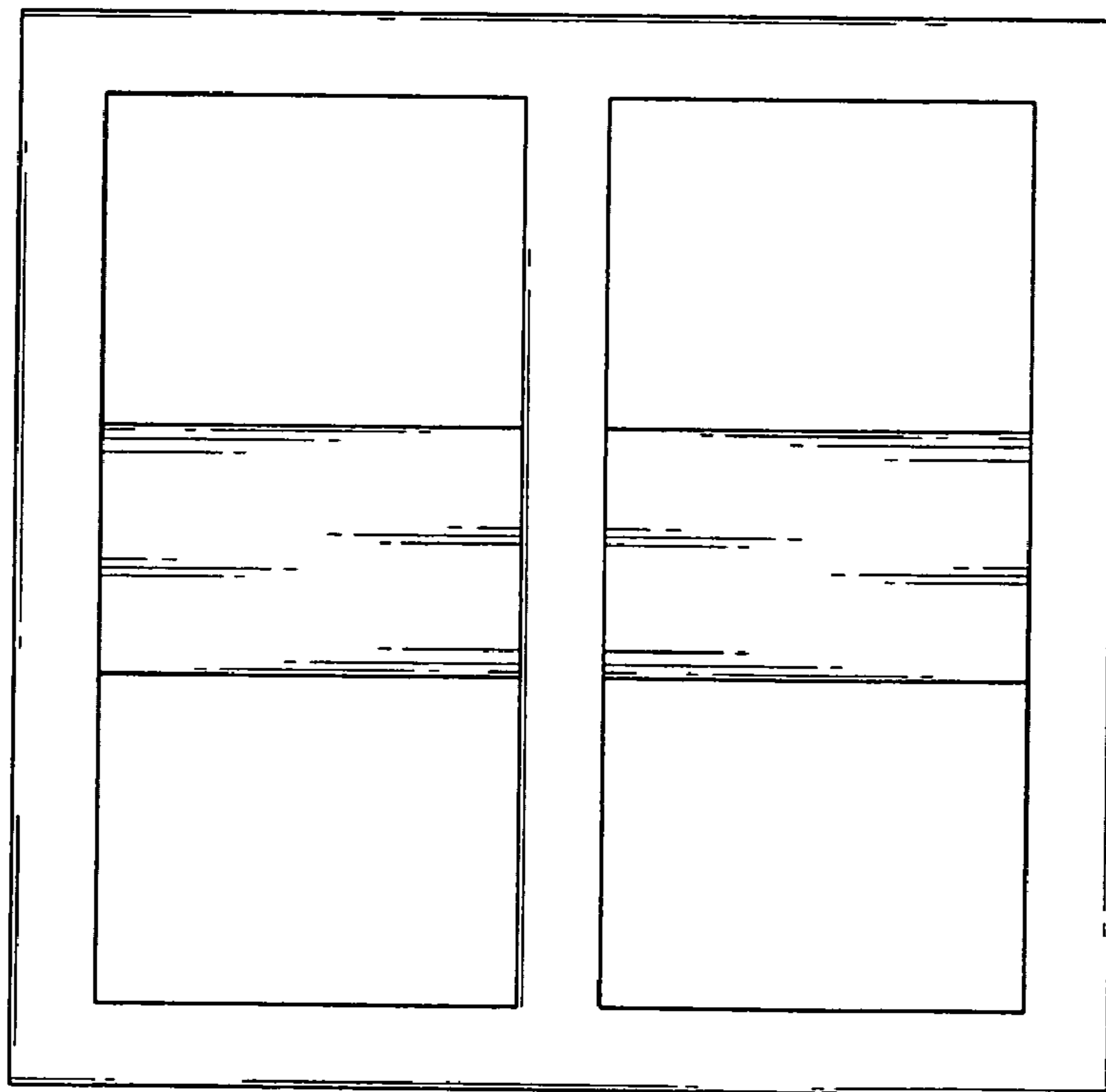


Fig. 7