



US00D550619S

(12) **United States Design Patent**  
**Ricci et al.**

(10) **Patent No.:** **US D550,619 S**

(45) **Date of Patent:** **\*\* Sep. 11, 2007**

(54) **CURRENT TRANSFORMER BODY**

(75) Inventors: **Marc A. Ricci**, Victoria (CA); **Stewart J. Harding**, Victoria (CA)

(73) Assignee: **Power Measurement Ltd.**, Saanichton, BC (CA)

(\*\*) Term: **14 Years**

(21) Appl. No.: **29/268,326**

(22) Filed: **Nov. 2, 2006**

(51) **LOC (8) Cl.** ..... **13-02**

(52) **U.S. Cl.** ..... **D13/110**

(58) **Field of Classification Search** ..... D13/110,  
D13/101, 184, 199; 336/173-175; 361/836  
See application file for complete search history.

(56) **References Cited**

U.S. PATENT DOCUMENTS

3,147,456 A *	9/1964	Gallousis .....	336/173
D215,447 S	9/1969	Canney .....	D26/15
D219,597 S	12/1970	Smith .....	D26/15
D229,941 S *	1/1974	Feldman .....	D10/75
4,048,605 A *	9/1977	McCollum .....	336/176
4,270,110 A	5/1981	Martincic et al. ....	336/174
D260,635 S *	9/1981	Lockwood .....	D13/110
D260,877 S	9/1981	Scott et al. ....	D13/4
D274,614 S	7/1984	Fallon et al. ....	D13/4
D288,314 S	2/1987	Makinson et al. ....	D13/4
D293,431 S	12/1987	Makinson et al. ....	D13/4
D392,940 S	3/1998	Shen .....	D13/110
D534,120 S	12/2006	Ricci et al. ....	D13/110

\* cited by examiner

*Primary Examiner*—Stella Reid

*Assistant Examiner*—Derrick Holland

(74) *Attorney, Agent, or Firm*—Brinks Hofer Gilson & Lione

(57) **CLAIM**

We claim the ornamental design for a current transformer body, as shown and described.

**DESCRIPTION**

FIG. 1 is a side elevation view of a current transformer body showing our new design, in an open condition;

FIG. 2 is an opposite side elevation view thereof;

FIG. 3 is a right side elevation view thereof;

FIG. 4 is a left side elevation view thereof;

FIG. 5 is a top plan view thereof;

FIG. 6 is a bottom plan view thereof;

FIG. 7 is an elevated perspective view thereof;

FIG. 8 is a side elevation view thereof, in a closed position;

FIG. 9 is an opposite side elevation view thereof;

FIG. 10 is a right side elevation view thereof;

FIG. 11 is a left side elevation view thereof;

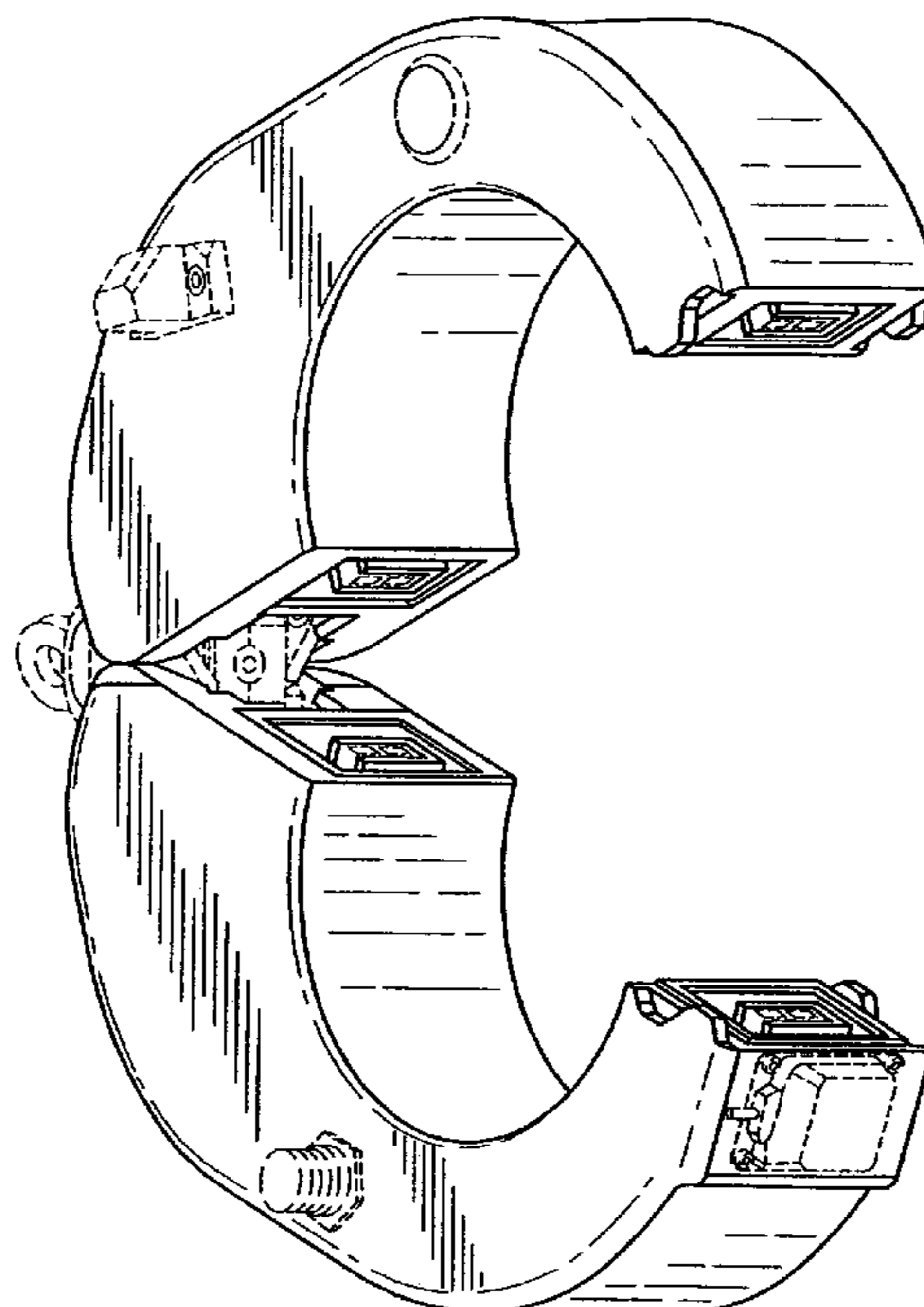
FIG. 12 is a top plan view thereof;

FIG. 13 is a bottom plan view thereof; and,

FIG. 14 is an elevated perspective view thereof.

The broken lines in the various views are for illustrative purposes only, and form no part of the claimed design.

**1 Claim, 12 Drawing Sheets**



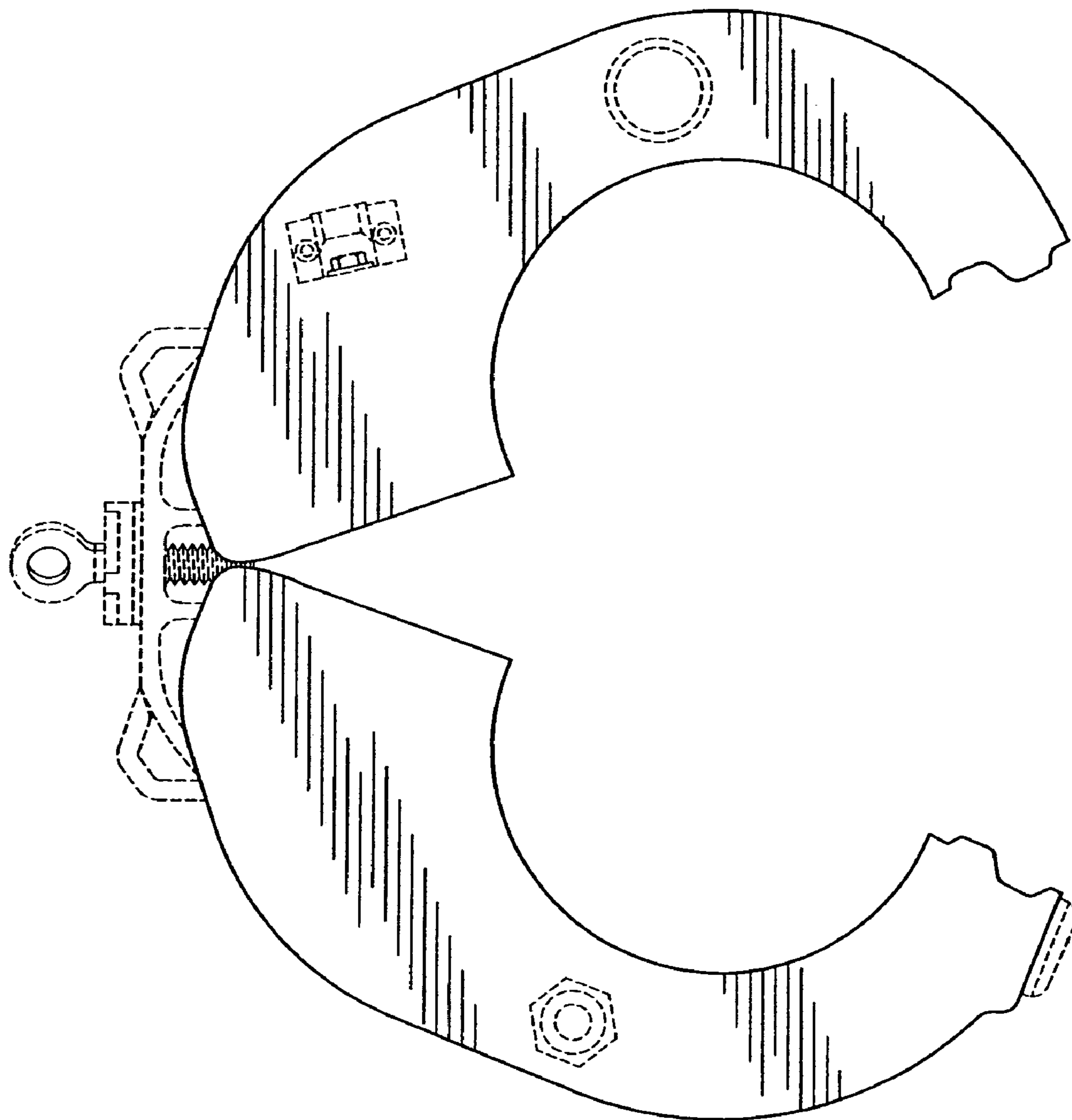


Fig. 1

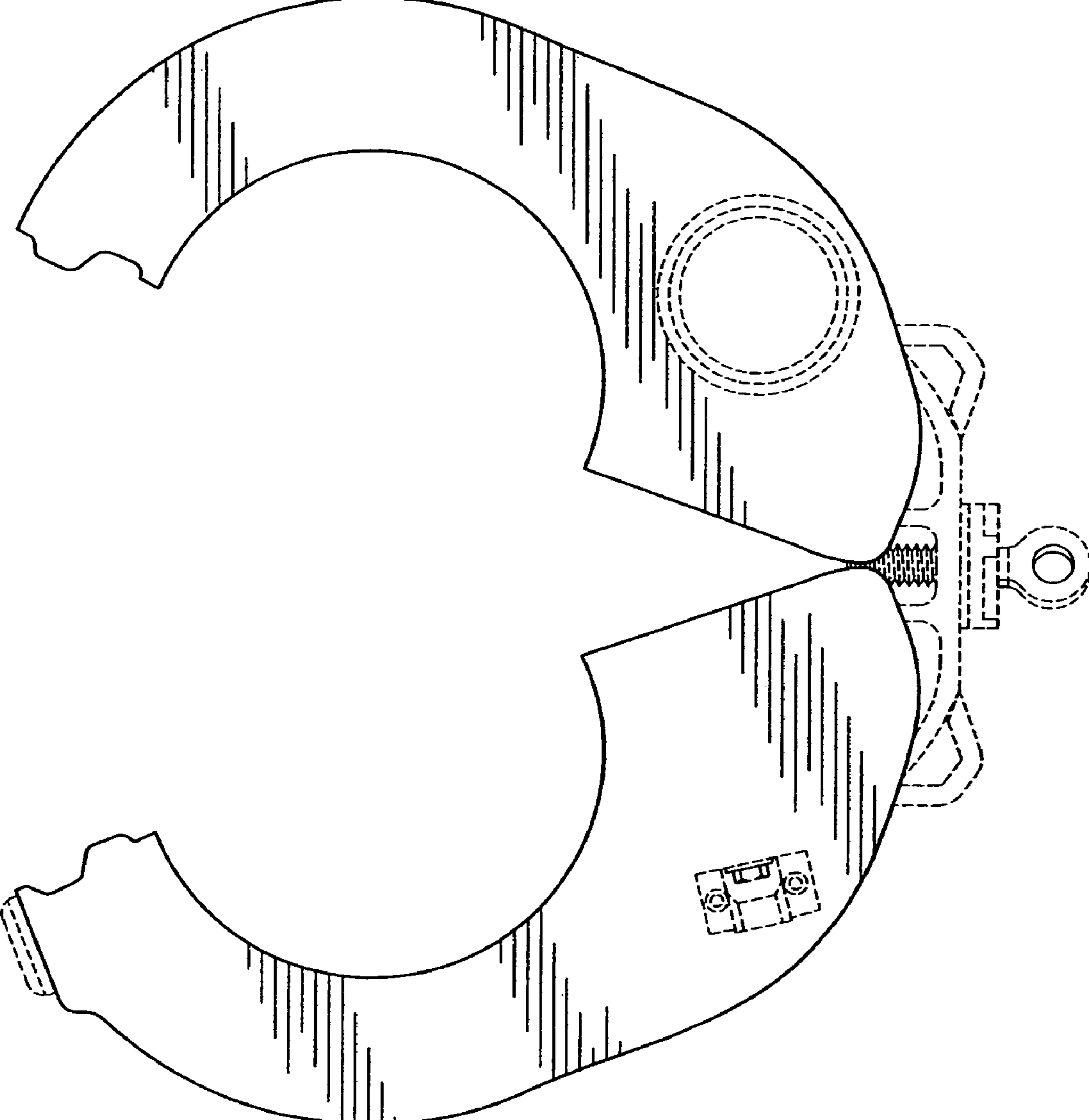


Fig. 2

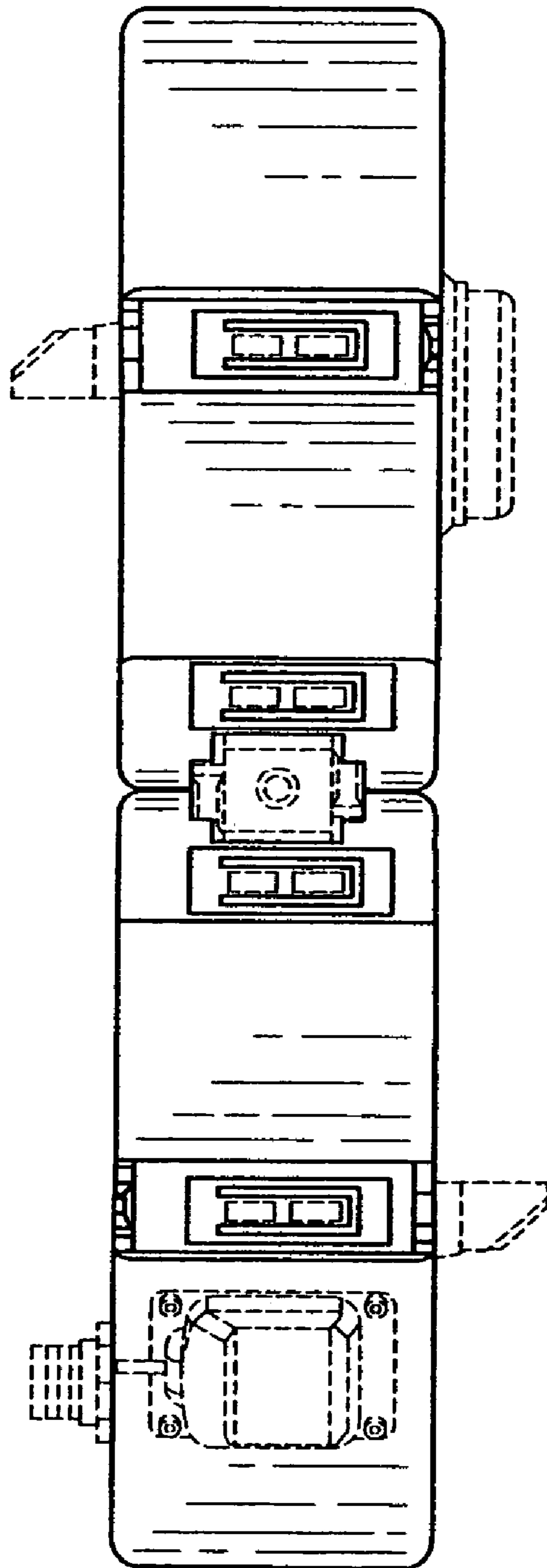


Fig. 3

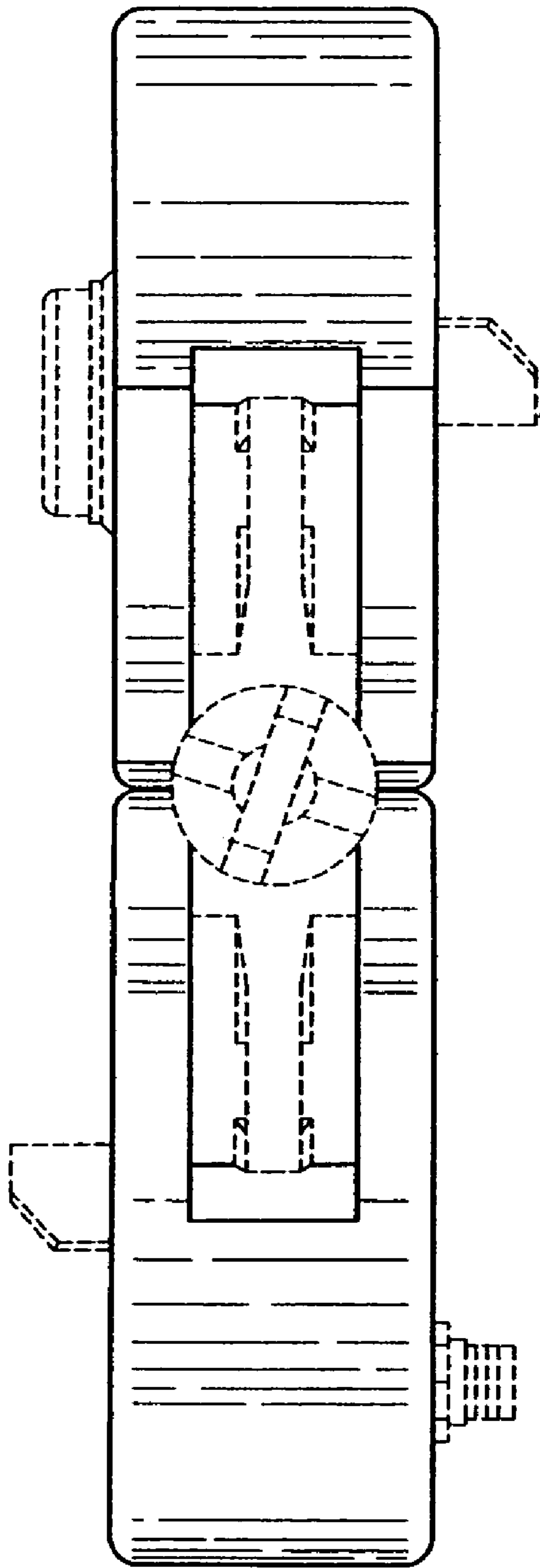


Fig. 4

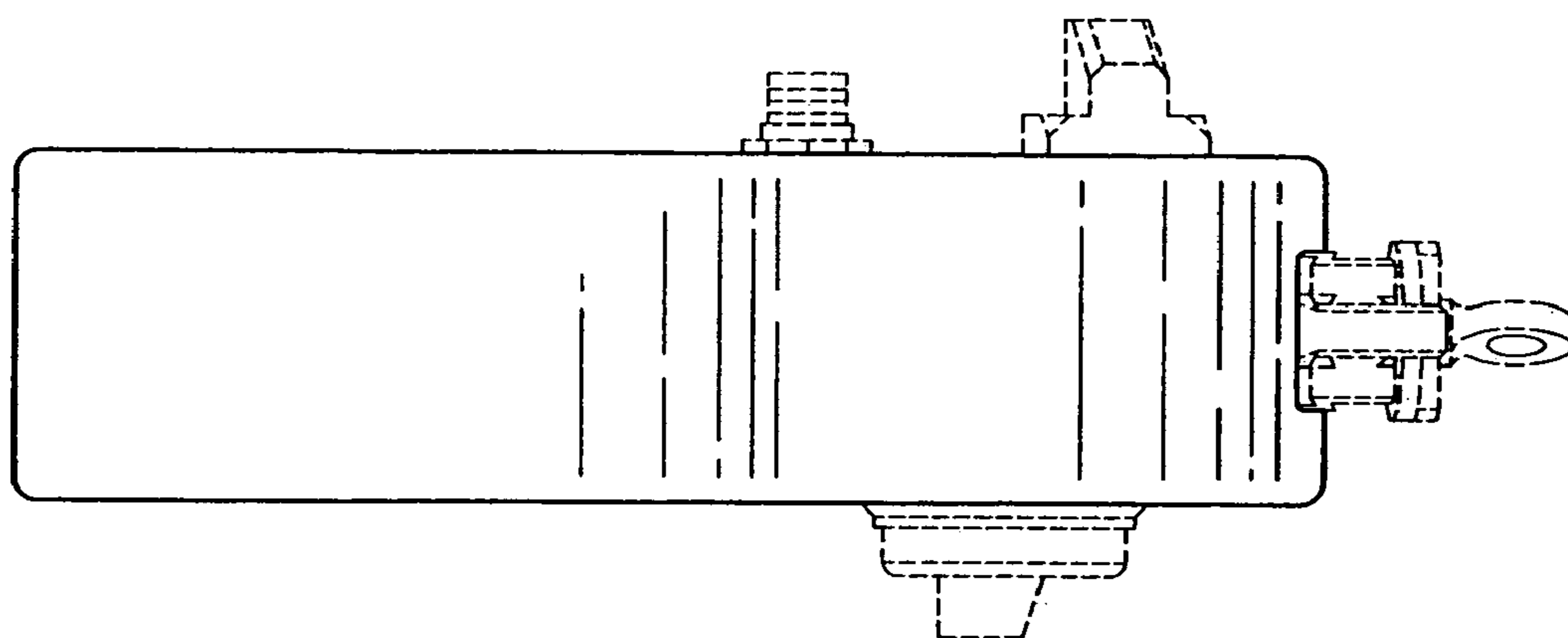


Fig. 5

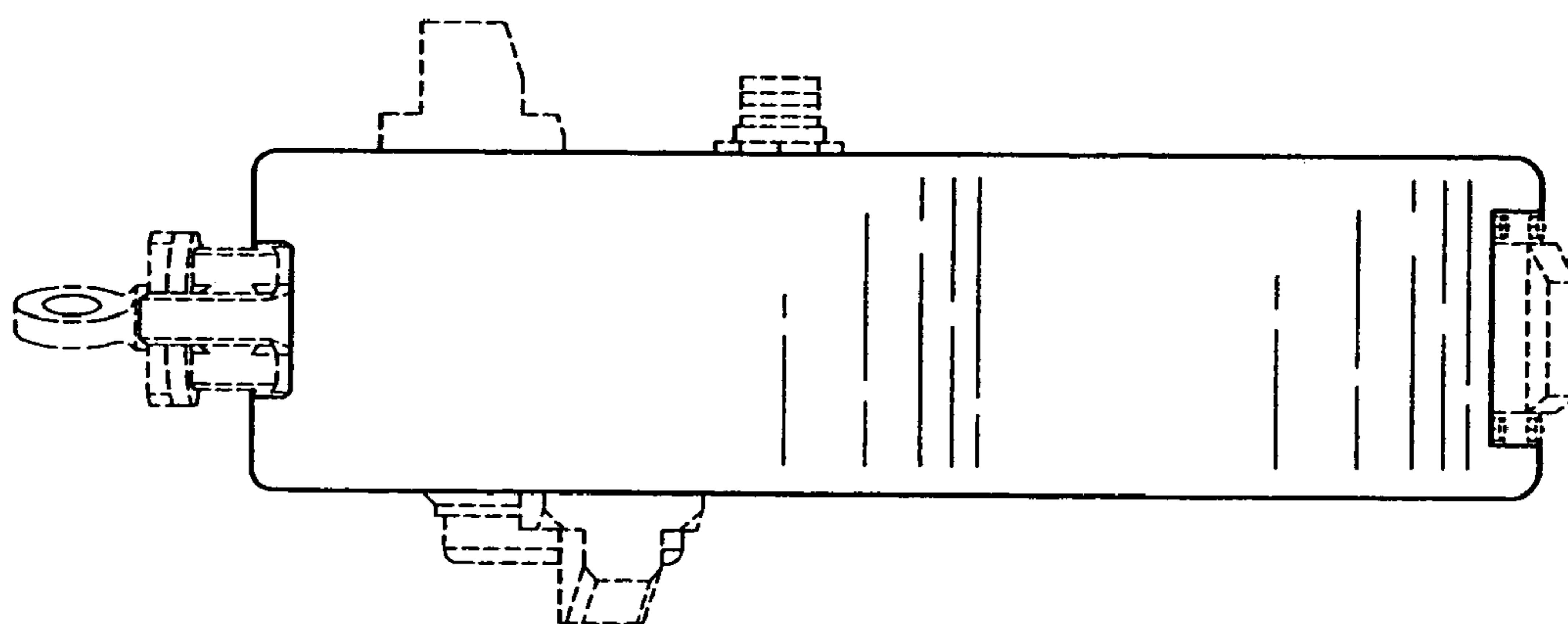


Fig. 6

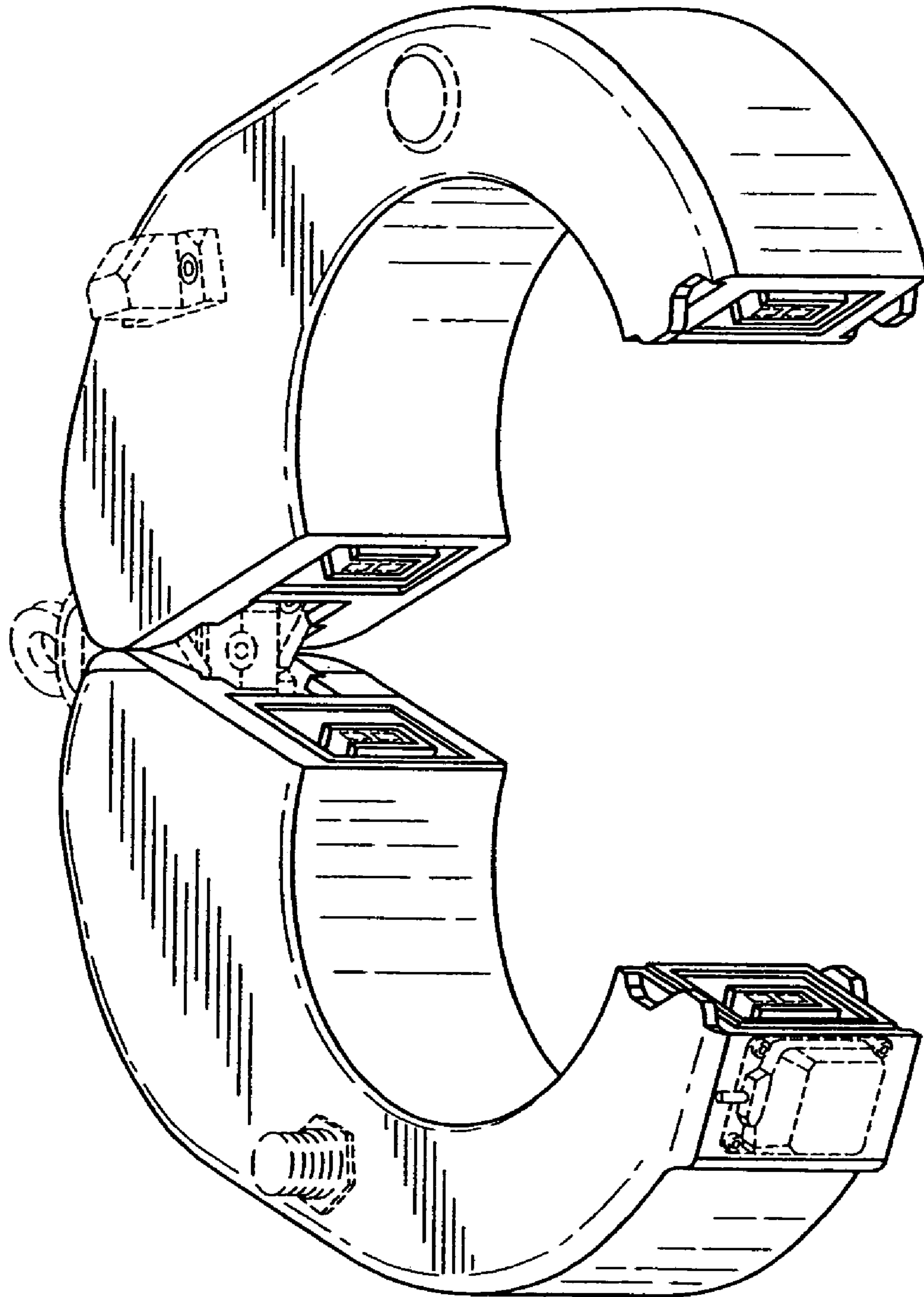


Fig. 7

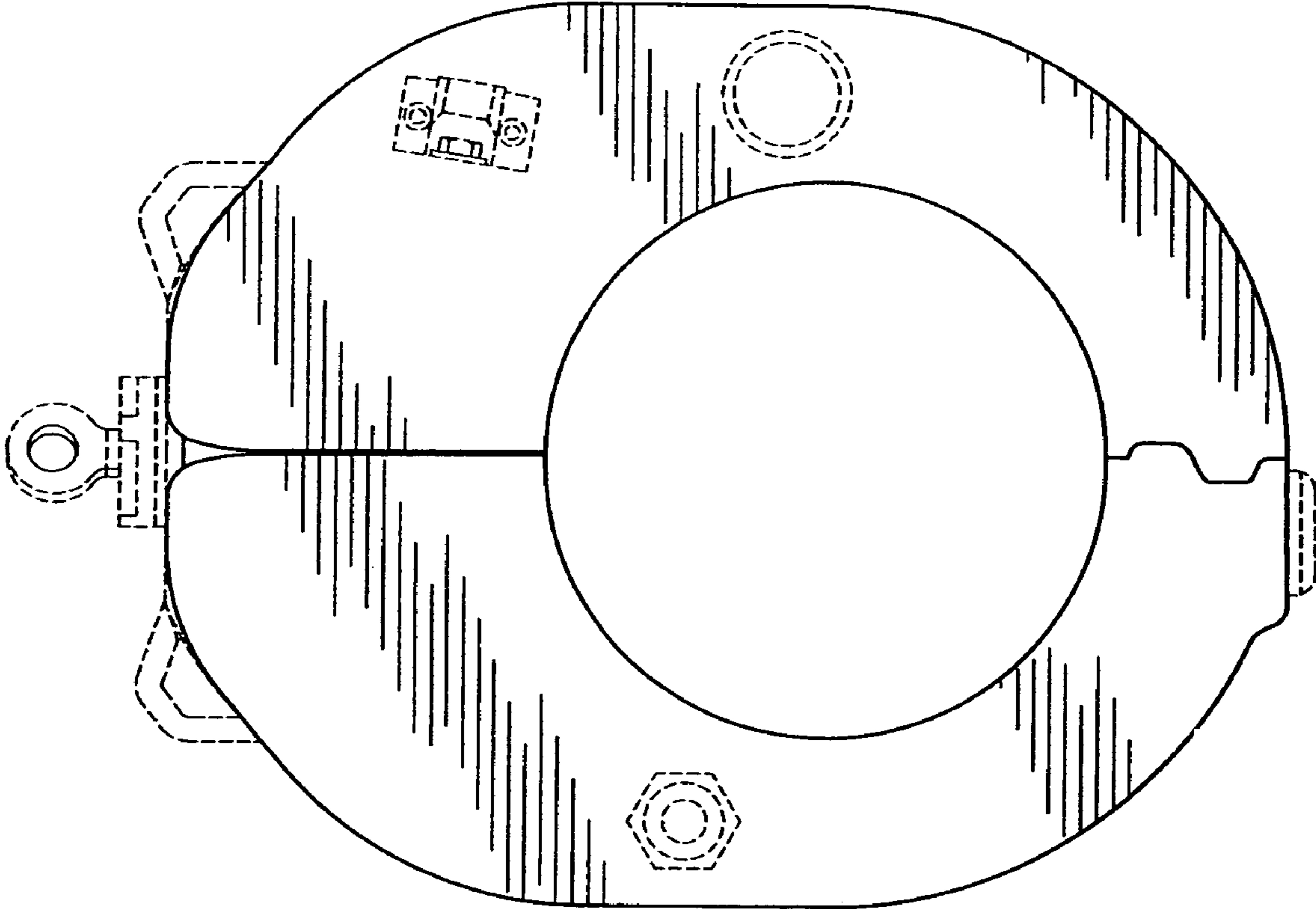


Fig. 8



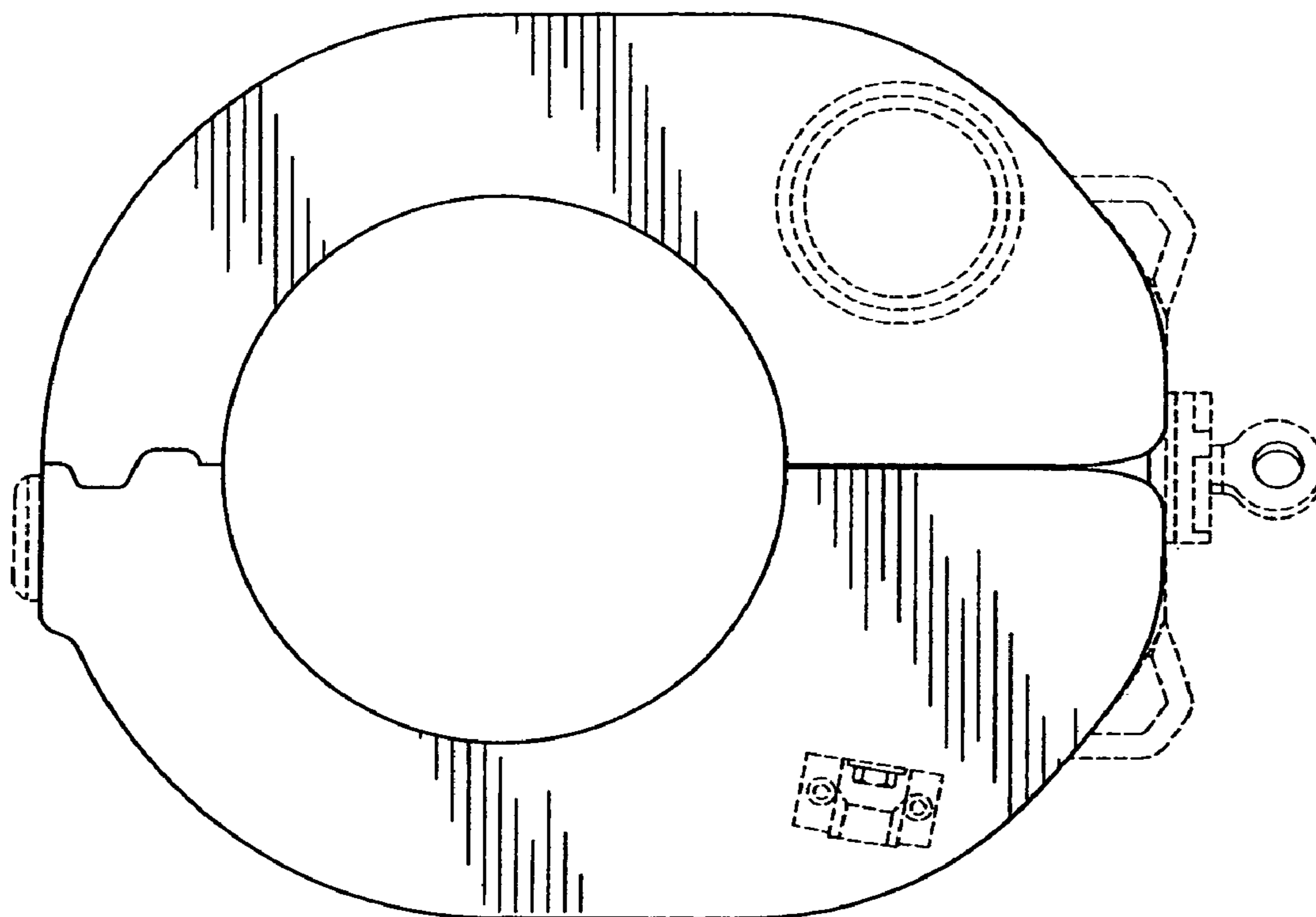


Fig. 9

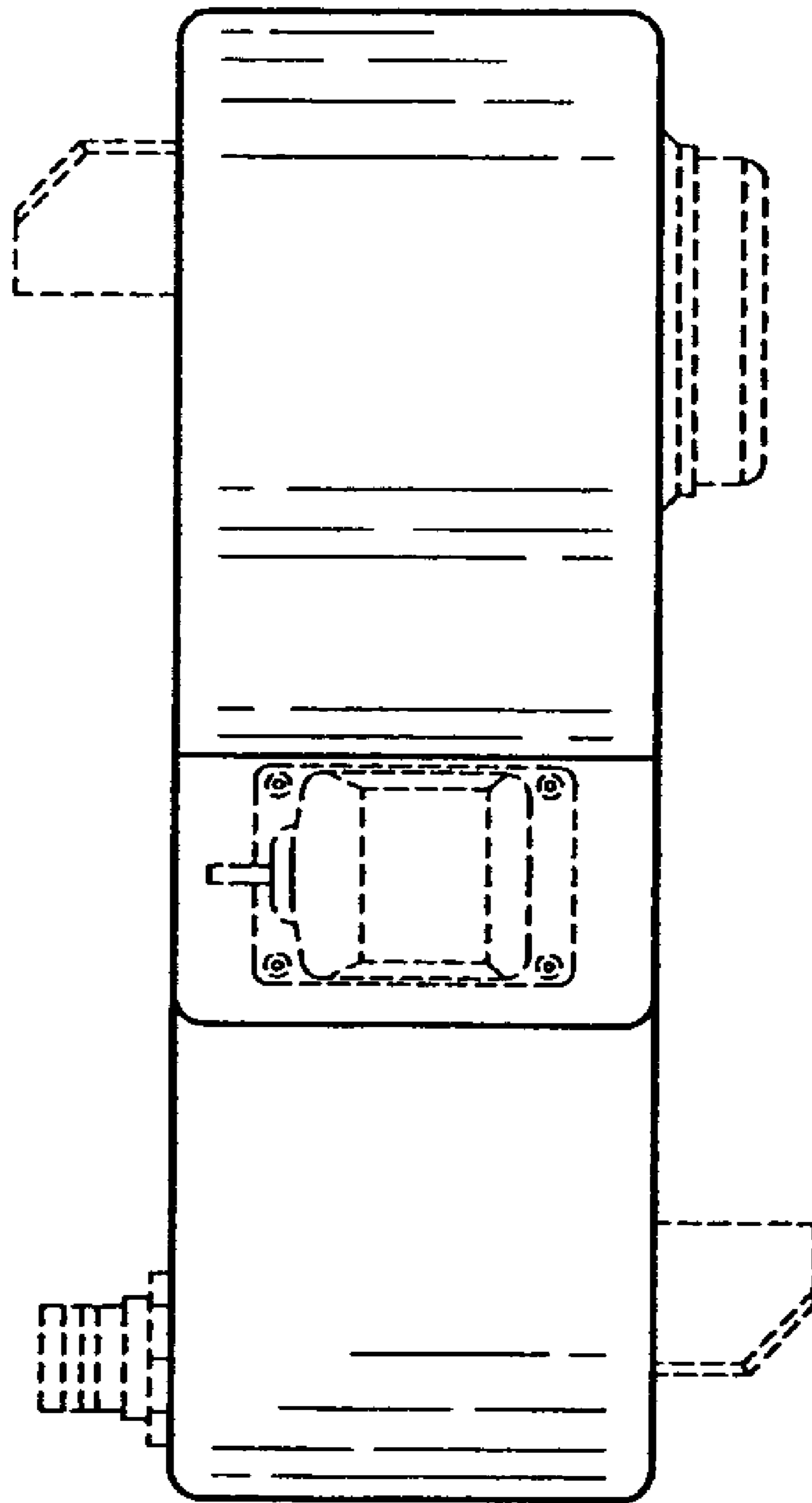


Fig. 10

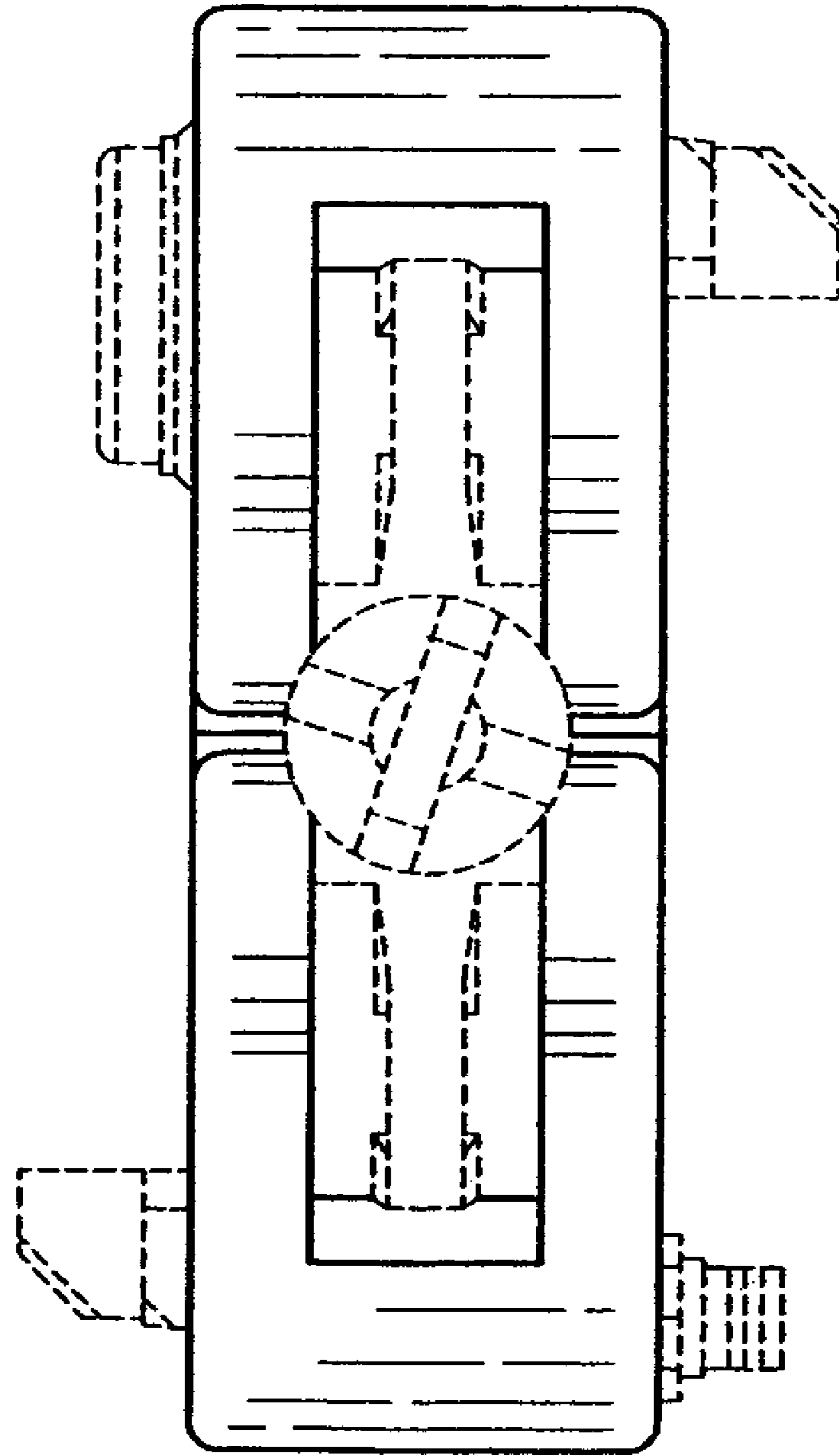


Fig. 11

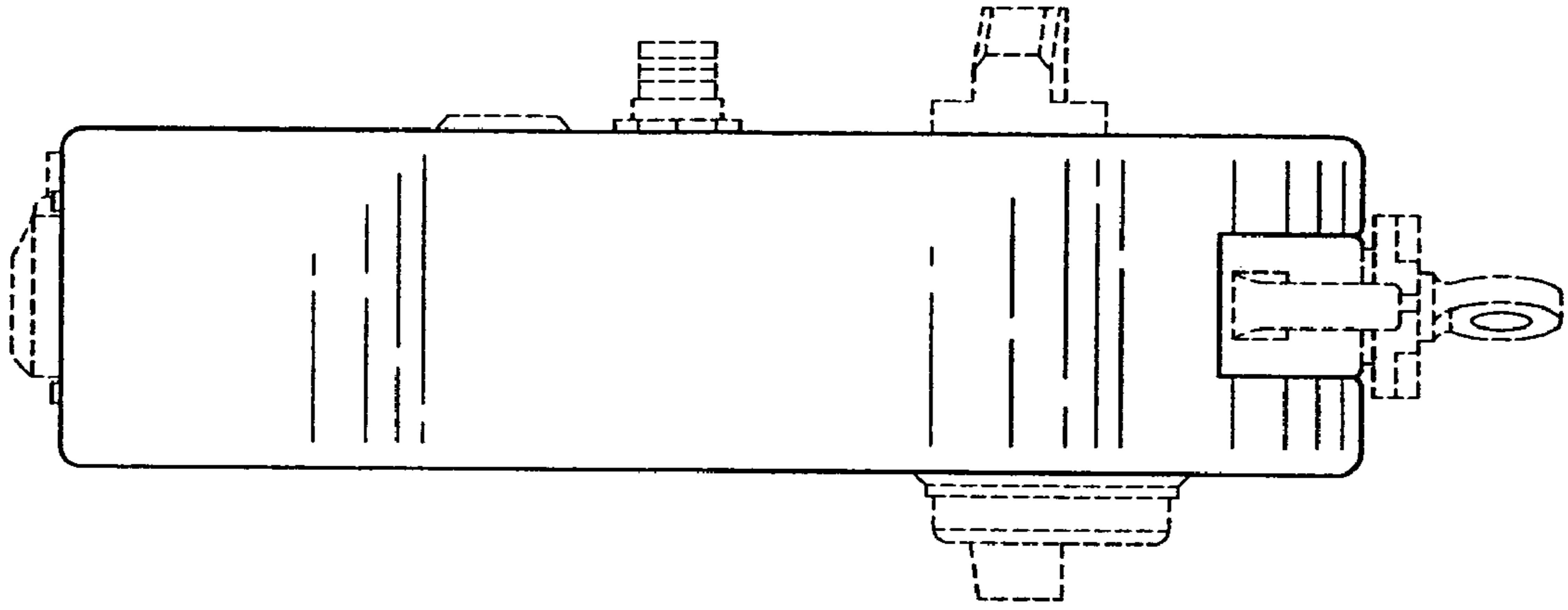


Fig. 12

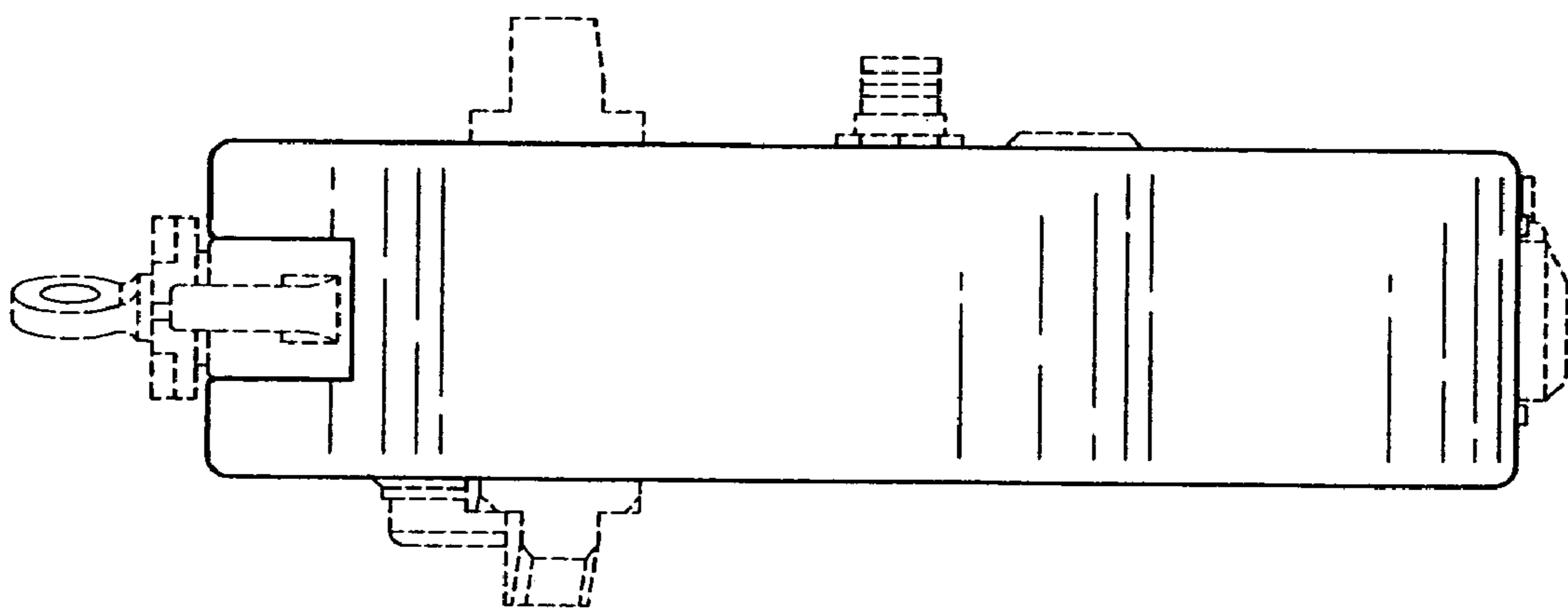


Fig. 13

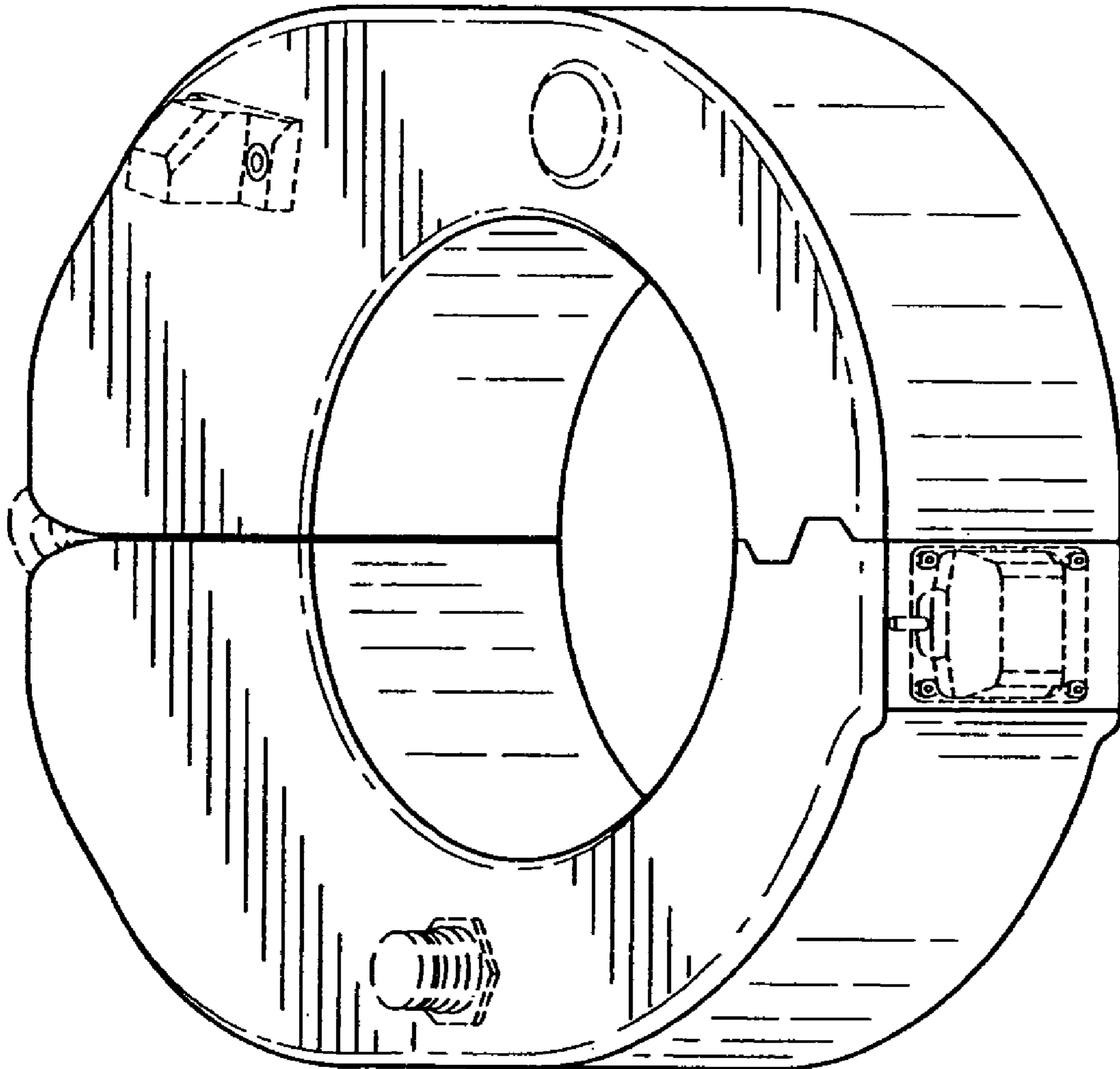


Fig. 14