



US00D550618S

(12) **United States Design Patent**  
**Ricci et al.**

(10) **Patent No.: US D550,618 S**

(45) **Date of Patent: \*\* Sep. 11, 2007**

(54) **CURRENT TRANSFORMER FRAME**

D532,747 S 11/2006 Ricci et al. .... D13/110  
2003/0034332 A1 2/2003 Maulandi et al. .... 218/146

(75) Inventors: **Marc A. Ricci**, Victoria (CA); **Colin N. Gunn**, Victoria (CA)

\* cited by examiner

(73) Assignee: **Power Measurement, Ltd.**, Saanichton, BC (CA)

*Primary Examiner*—Stella Reid

*Assistant Examiner*—Derrick Holland

(\*\*) Term: **14 Years**

(74) *Attorney, Agent, or Firm*—Brinks Hofer Gilson & Lione

(21) Appl. No.: **29/268,325**

(57) **CLAIM**

(22) Filed: **Nov. 2, 2006**

We claim the ornamental design for a current transformer frame, as shown and described.

(51) **LOC (8) Cl.** ..... **13-02**

(52) **U.S. Cl.** ..... **D13/110**

(58) **Field of Classification Search** ..... D13/110,  
D13/101, 184, 199; 218/146; 307/70, 150;  
336/90, 92, 98, 192

See application file for complete search history.

**DESCRIPTION**

FIG. 1 is a side elevation view of a current transformer frame showing our new design;

FIG. 2 is a opposite side elevation view thereof;

FIG. 3 is a right side elevation view thereof;

FIG. 4 is a left side elevation view thereof;

FIG. 5 is a top plan view thereof;

FIG. 6 is a bottom plan view thereof; and,

FIG. 7 is a perspective view thereof.

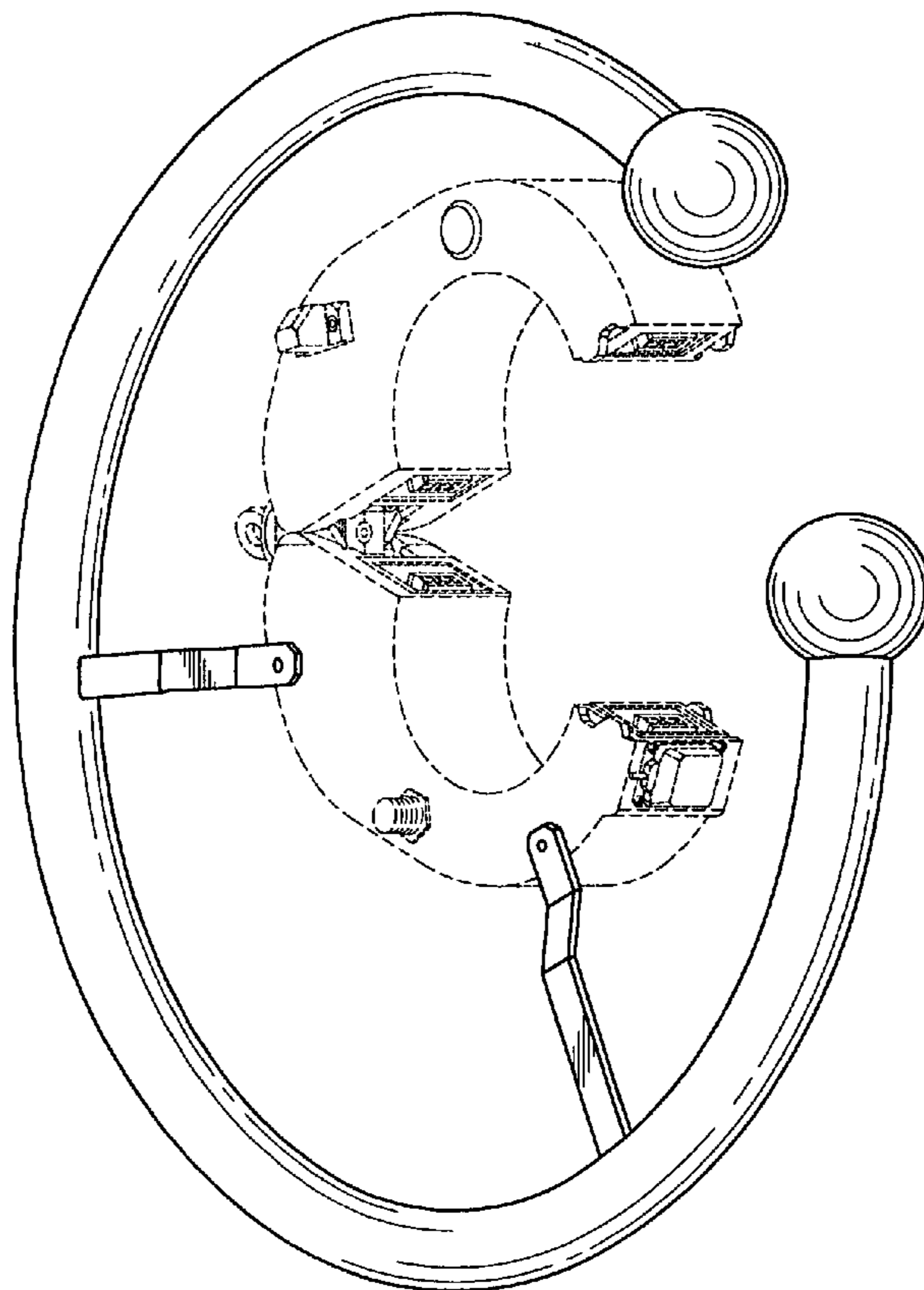
The broken lines in the various views are for illustrative purposes only, and form no part of the claimed design.

(56) **References Cited**

U.S. PATENT DOCUMENTS

D104,627 S *	5/1937	Hitchcock et al. ....	D13/110
D112,755 S *	12/1938	Marschall .....	D13/110
3,264,591 A *	8/1966	D'Entremont .....	336/174
4,234,865 A	11/1980	Shigehara .....	336/90
4,868,532 A	9/1989	Ehrenhalt et al. ....	336/82
5,363,079 A	11/1994	Zawada et al. ....	336/92
D390,825 S	2/1998	Chen .....	D13/110

**1 Claim, 5 Drawing Sheets**



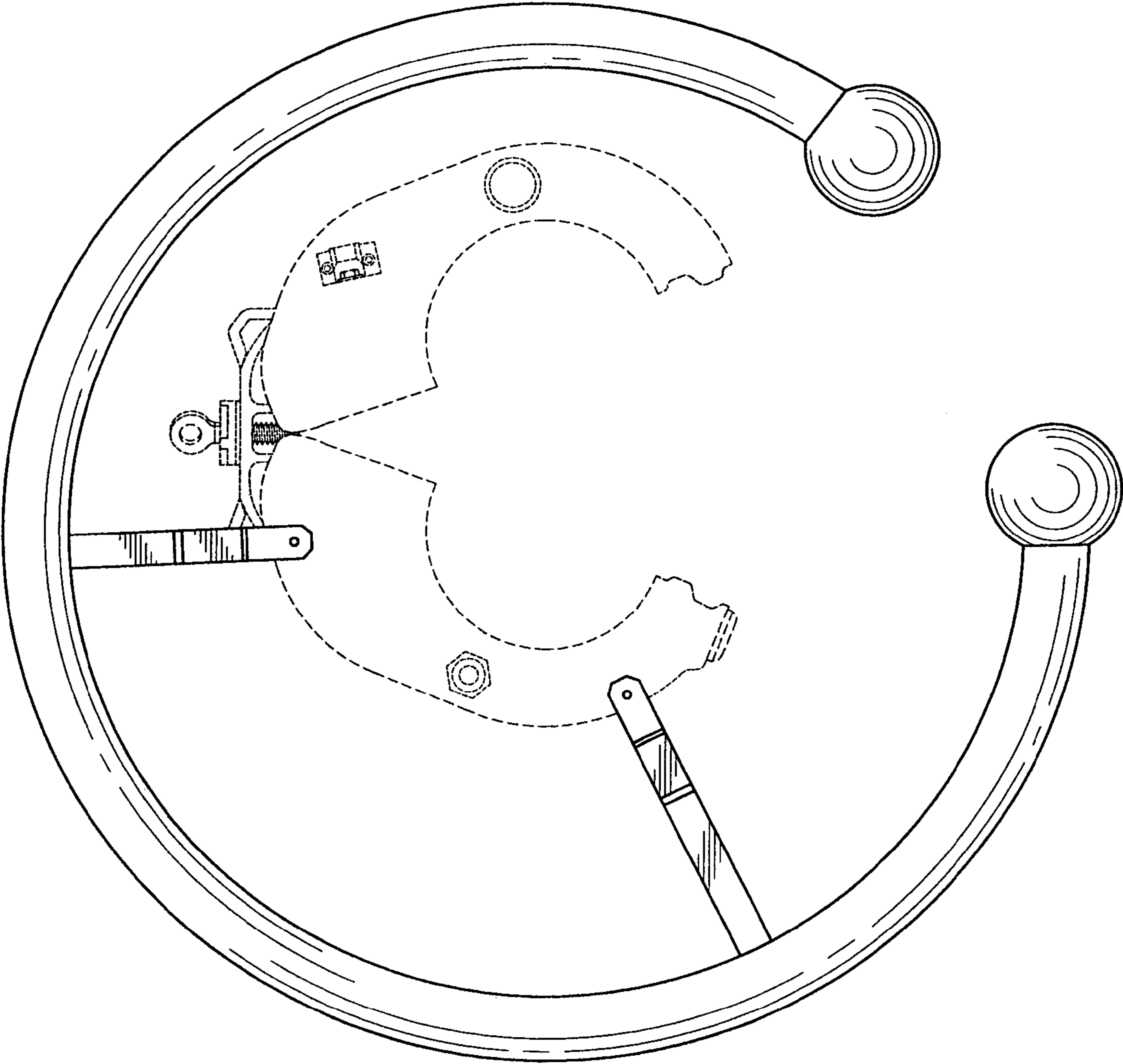


Fig. 1

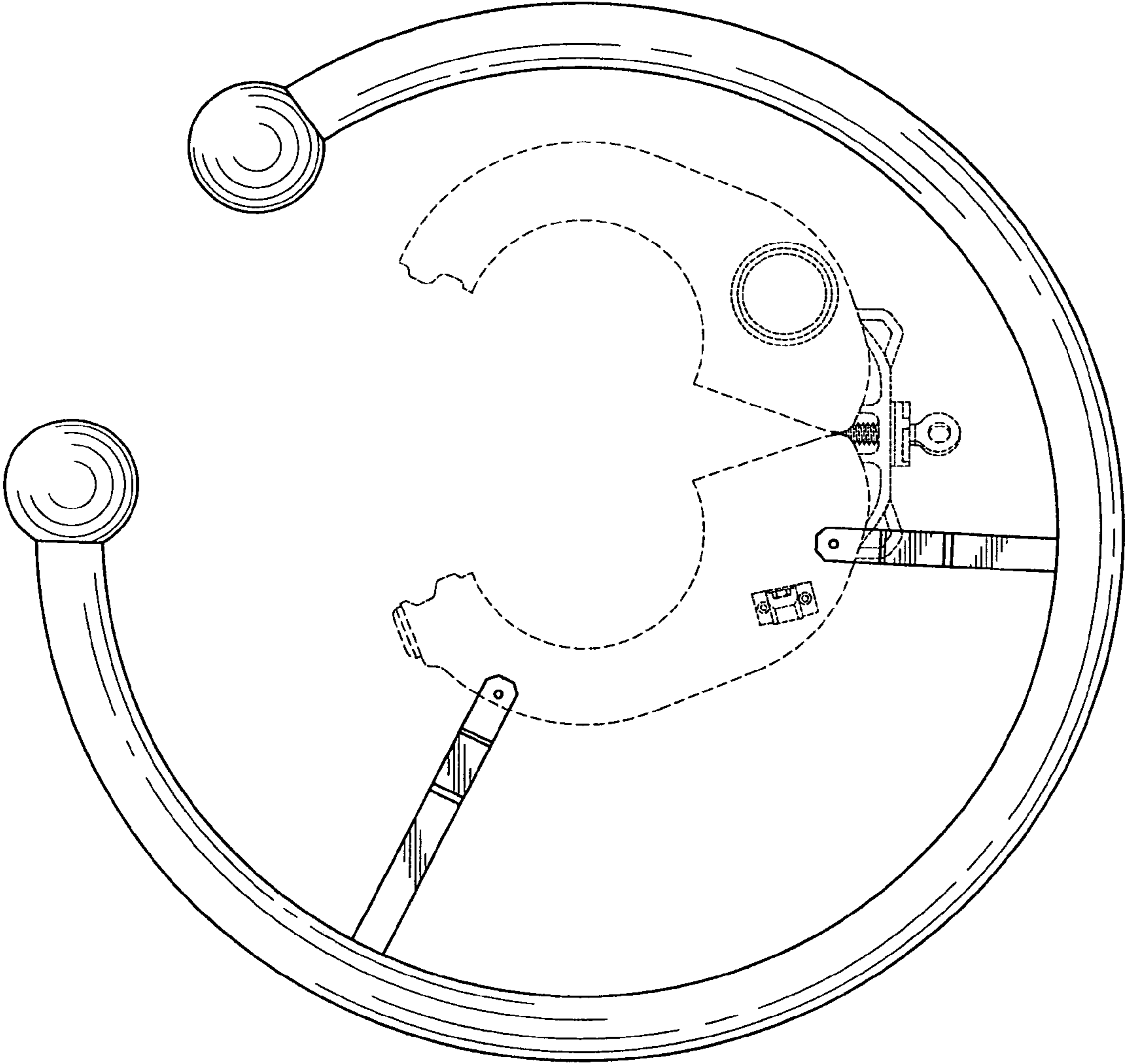


Fig. 2

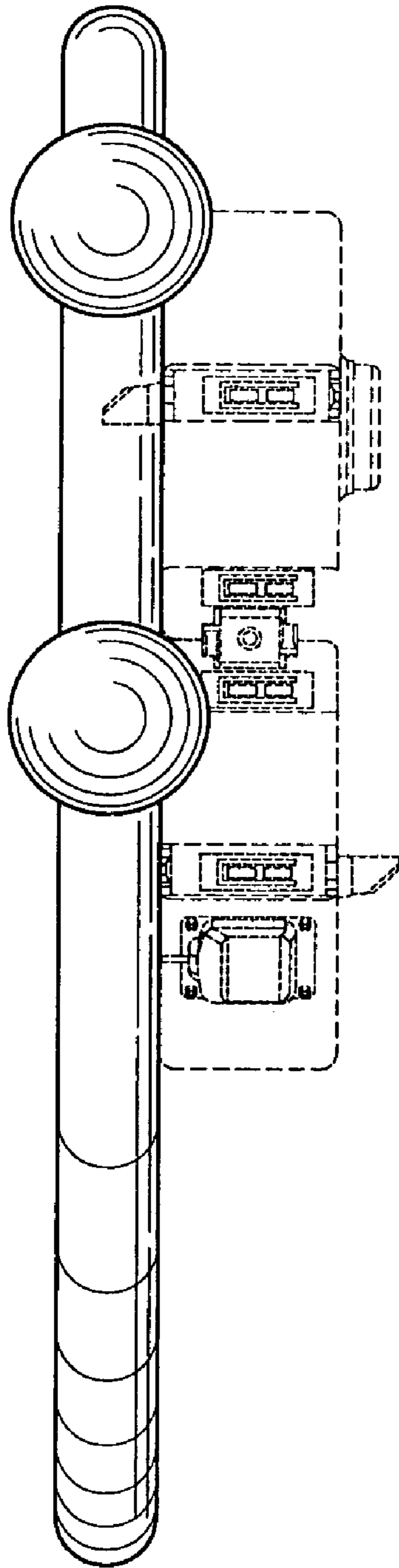


Fig. 3

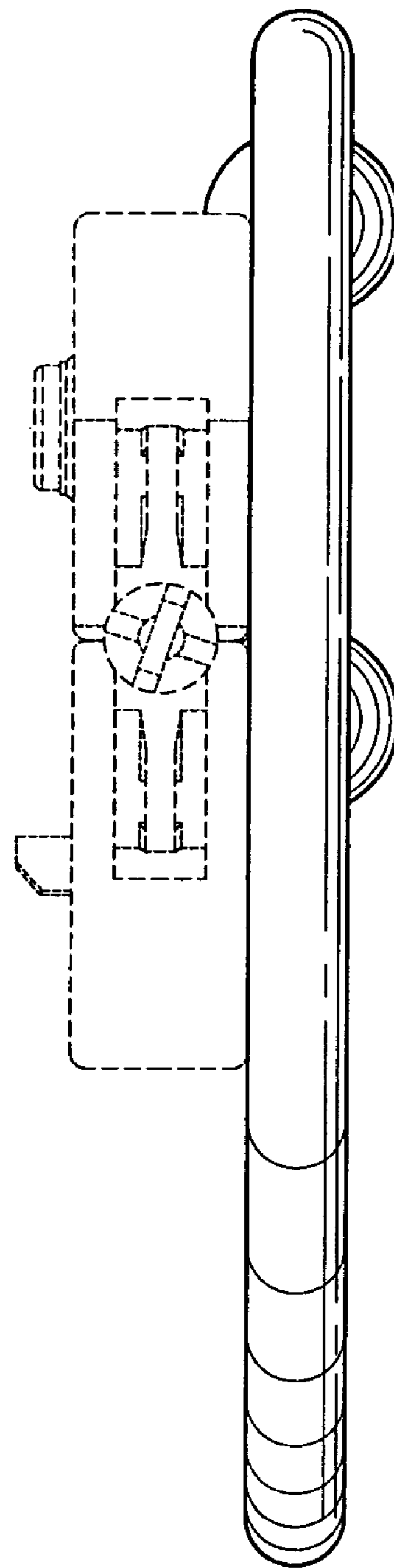


Fig. 4

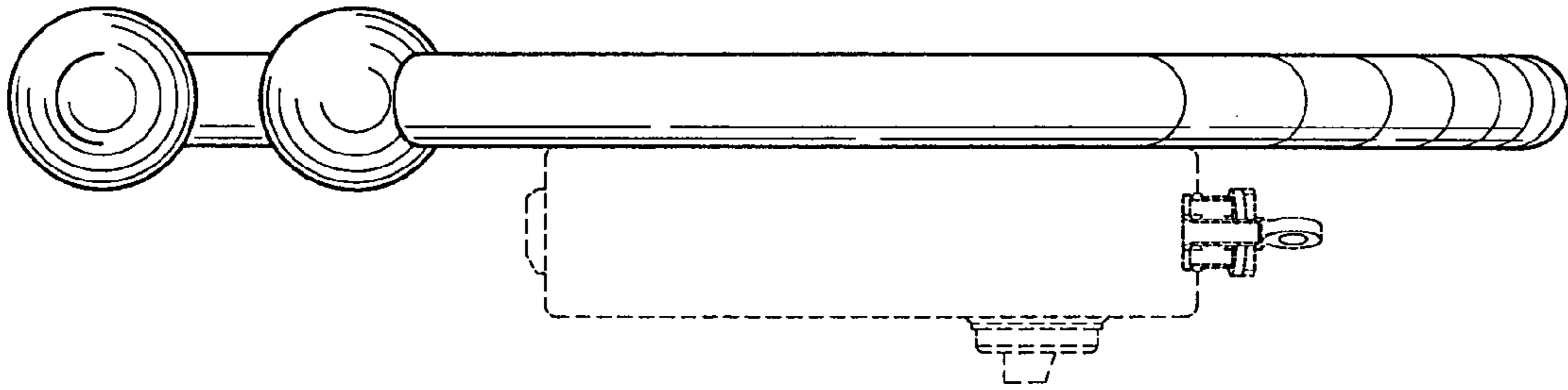


Fig. 5

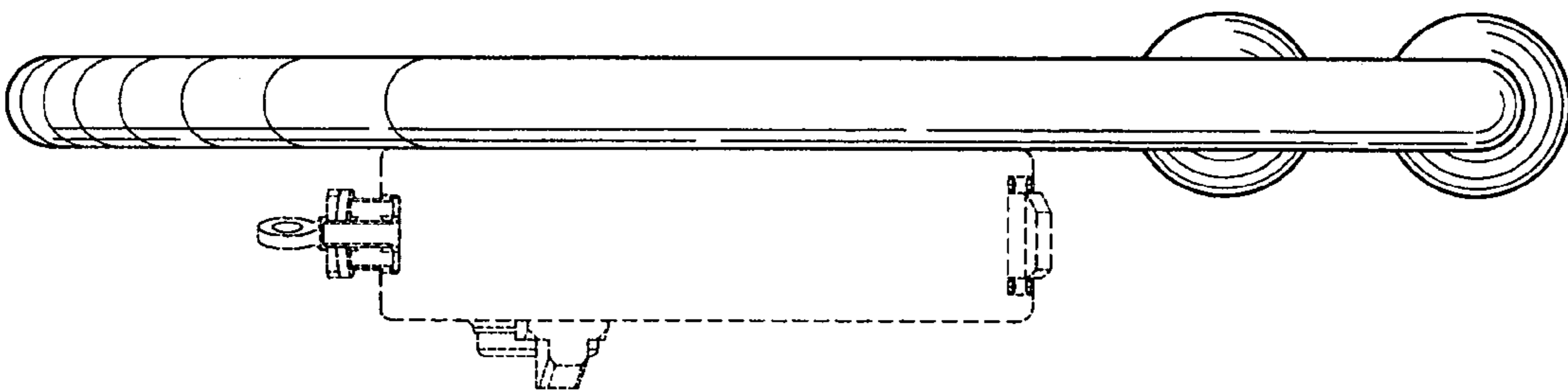


Fig. 6

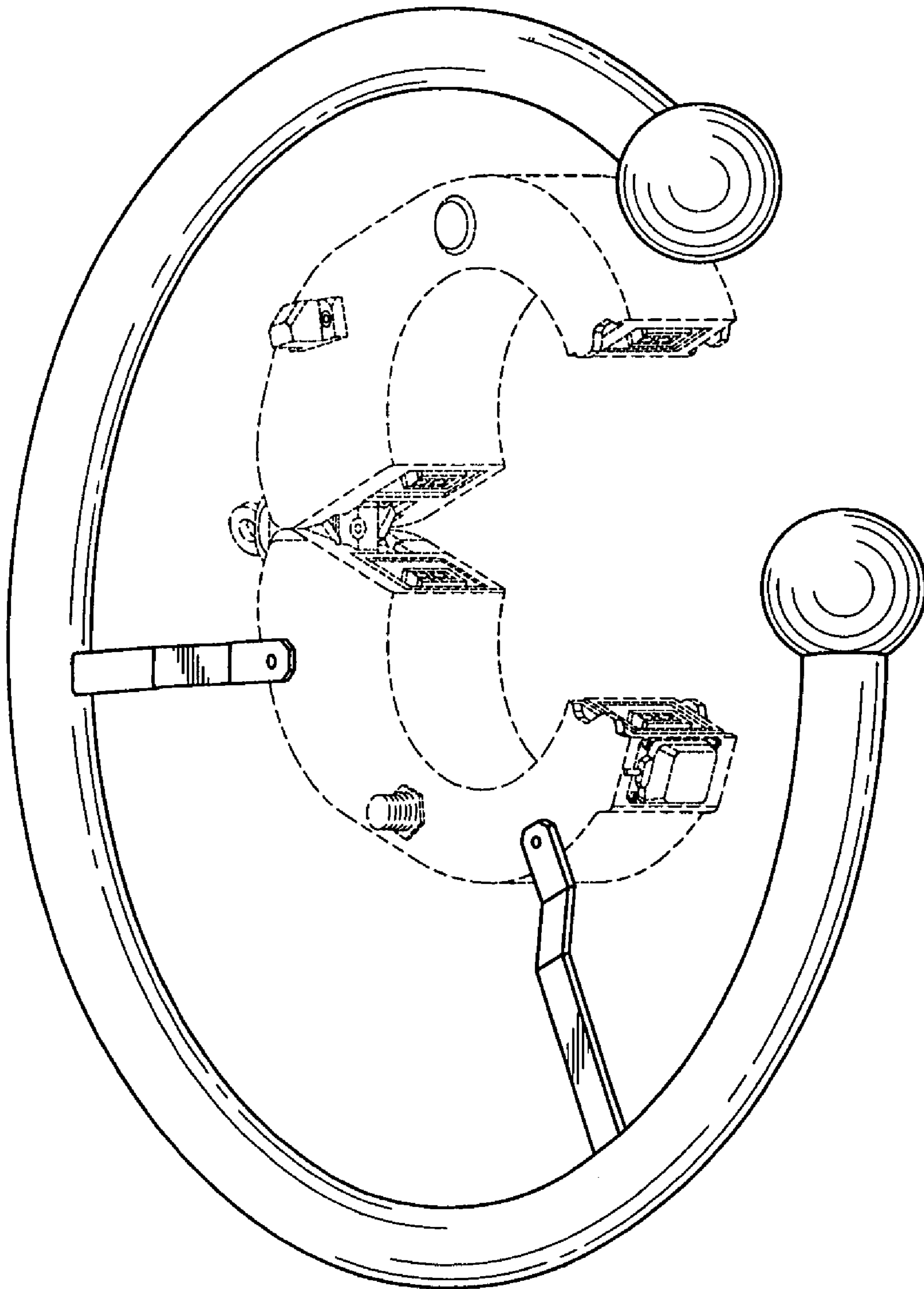


Fig. 7