



US00D550617S

(12) **United States Design Patent**
Wang

(10) **Patent No.:** **US D550,617 S**

(45) **Date of Patent:** **** Sep. 11, 2007**

(54) **POWER SUPPLY**

D491,523 S * 6/2004 Chi et al. D13/110
D494,538 S * 8/2004 Erskine D13/110

(76) Inventor: **Baoliang Wang**, 4611 Monterey Ave.,
Bladwin Park, CA (US) 91706

* cited by examiner

(**) Term: **14 Years**

Primary Examiner—Stella Reid
Assistant Examiner—Derrick Holland
(74) *Attorney, Agent, or Firm*—Raymond Y. Chan; David
and Raymond Patent Group

(21) Appl. No.: **29/266,384**

(22) Filed: **Sep. 19, 2006**

(57) **CLAIM**

(51) **LOC (8) Cl.** **13-02**

The ornamental design for a power supply, as shown.

(52) **U.S. Cl.** **D13/110; D13/101**

(58) **Field of Classification Search** D13/110,
D13/101, 123, 184, 199; 307/150; 361/695;
363/144

DESCRIPTION

See application file for complete search history.

FIG. 1 is a perspective view of power supply showing my
new design.

(56) **References Cited**

U.S. PATENT DOCUMENTS

D270,831 S * 10/1983 Jensen D13/139.5
D287,848 S * 1/1987 Keely et al. D13/110
D288,800 S * 3/1987 Gemmell D13/110
D435,828 S * 1/2001 Chou D13/110
6,293,828 B1 * 9/2001 Colver et al. 439/680
D488,776 S * 4/2004 Su et al. D13/110

FIG. 2 is a front view thereof.

FIG. 3 is a rear view thereof.

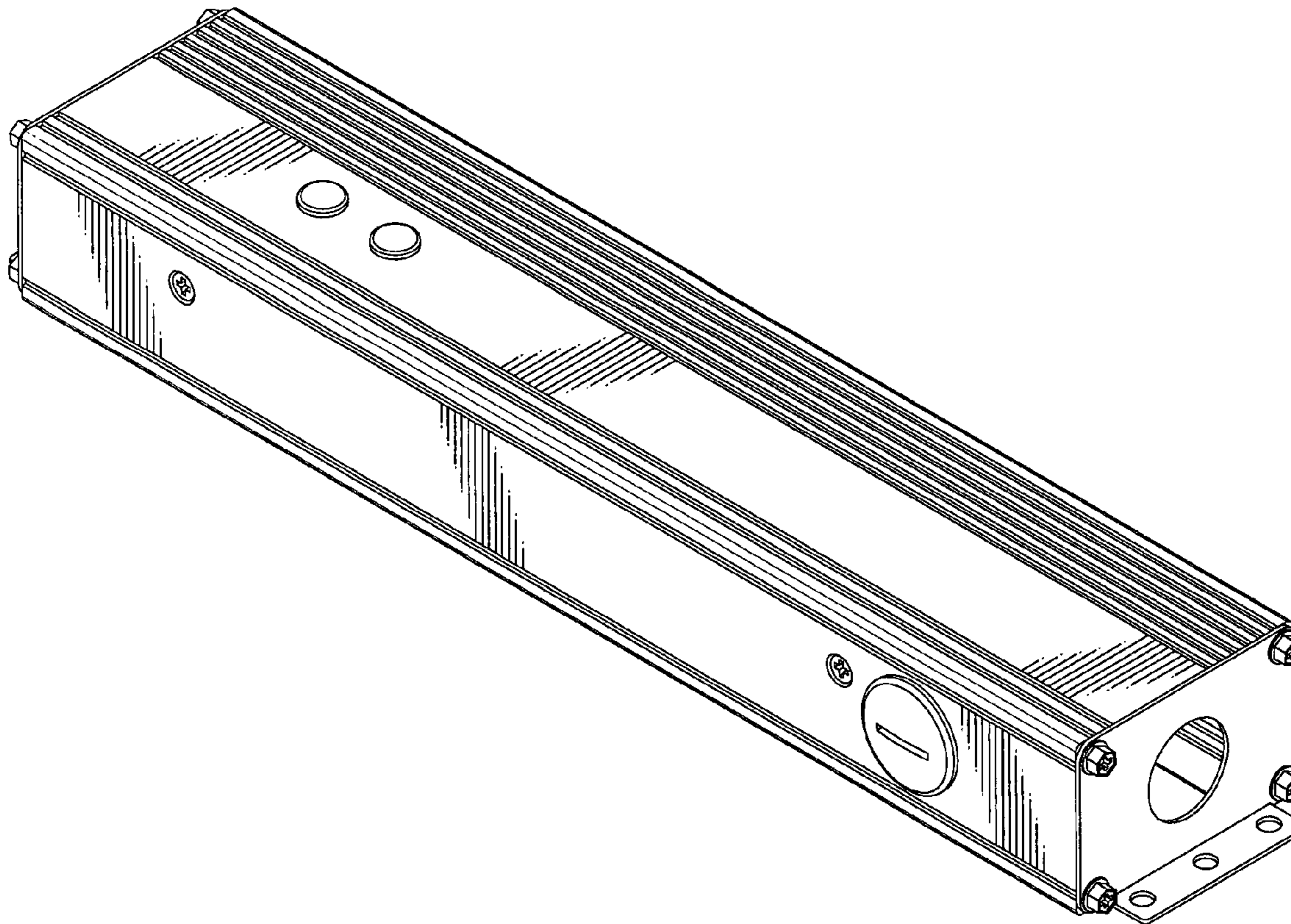
FIG. 4 is a top view thereof.

FIG. 5 is a bottom view thereof.

FIG. 6 is a right end view thereof; and,

FIG. 7 is a left end view thereof.

1 Claim, 7 Drawing Sheets



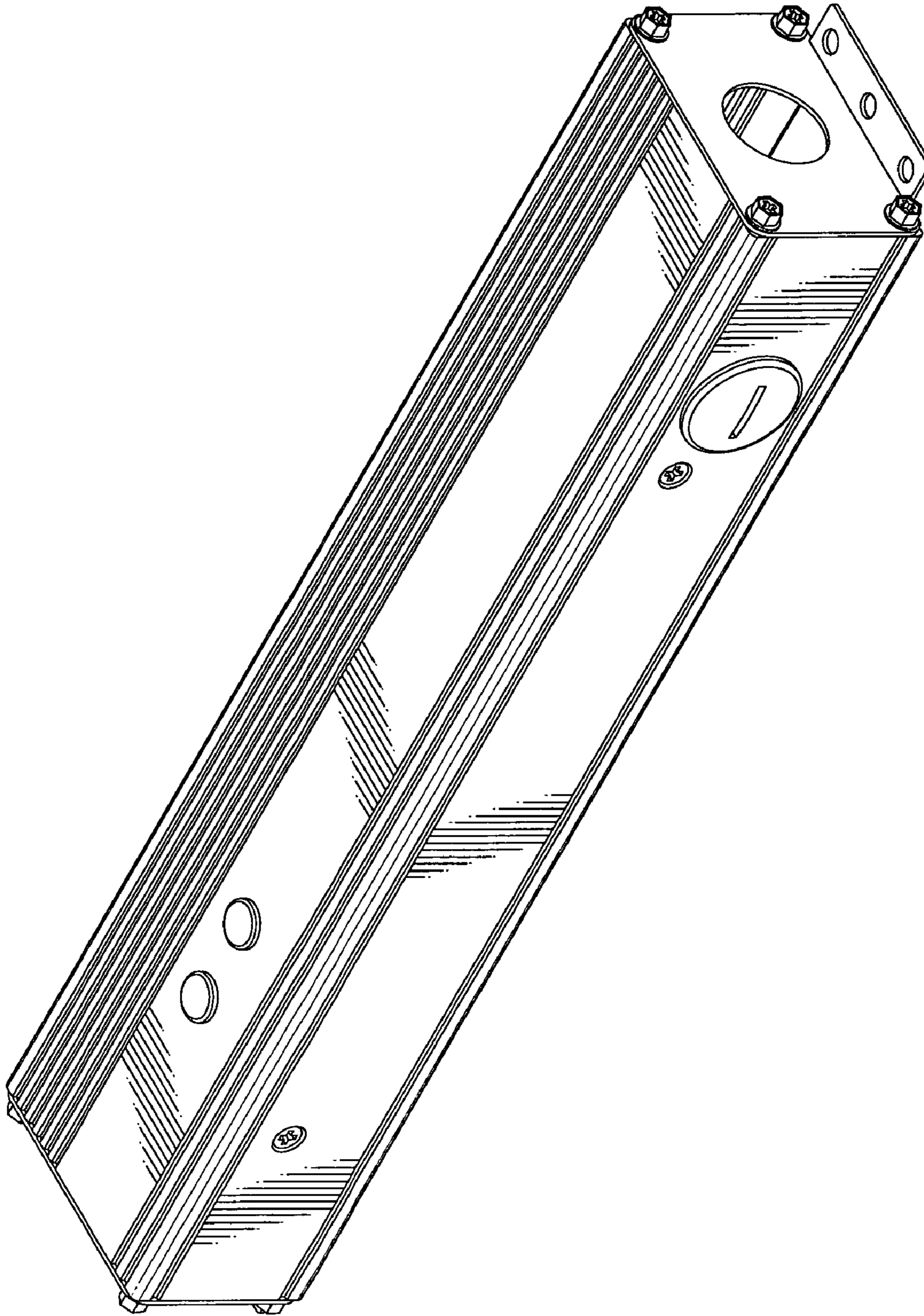


FIG.1

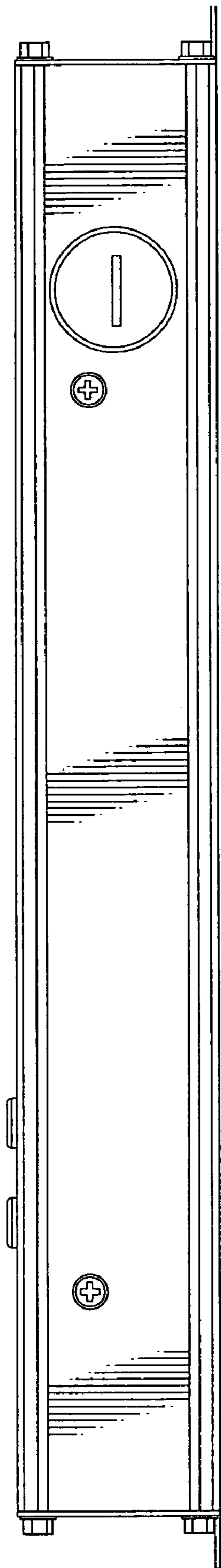


FIG.2

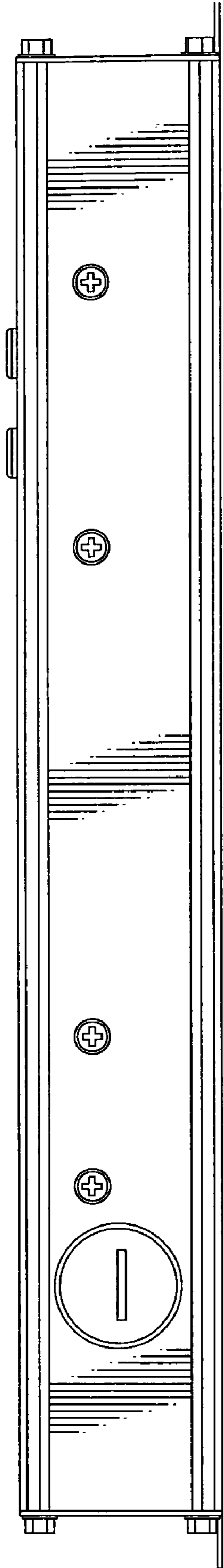


FIG.3

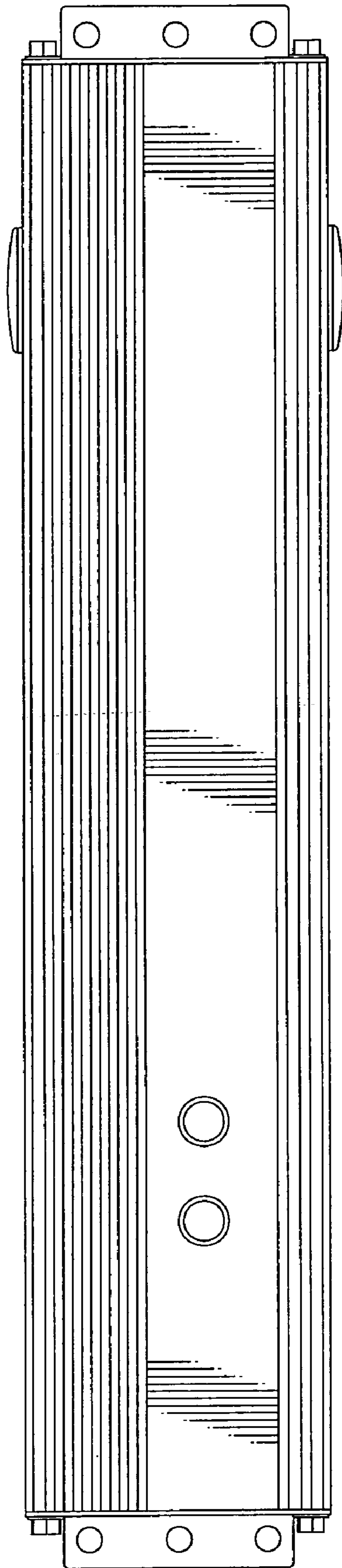


FIG.4

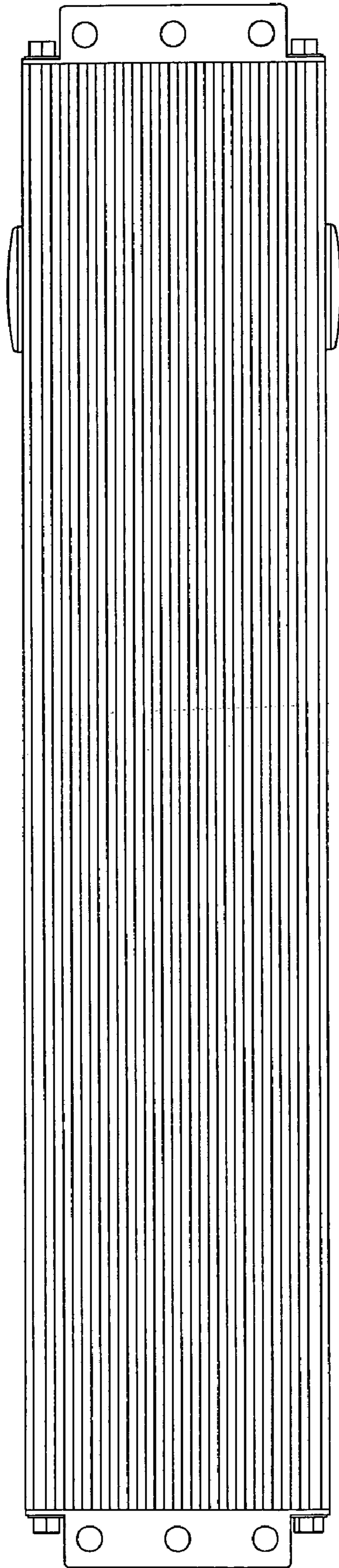


FIG.5

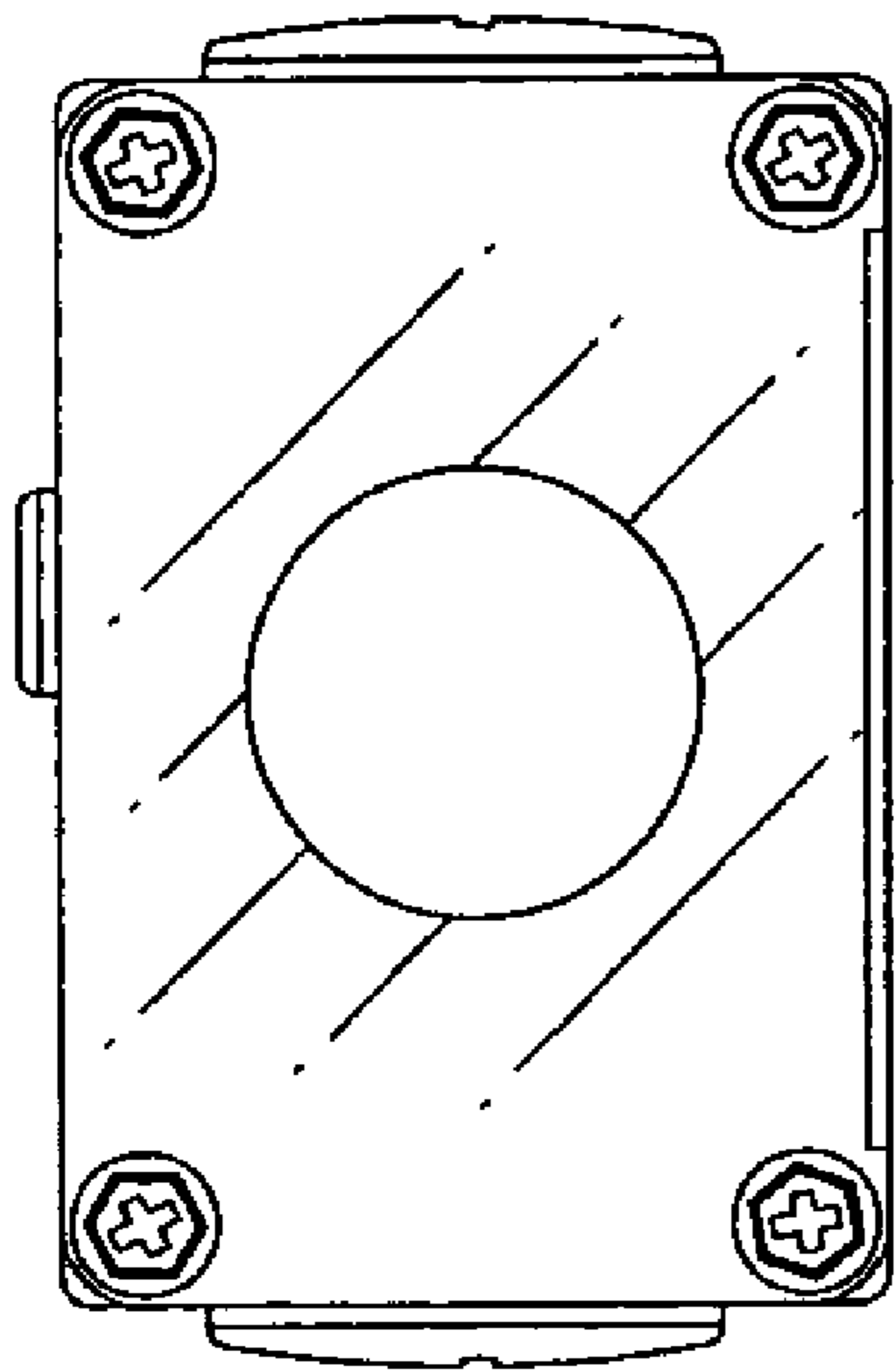


FIG.6

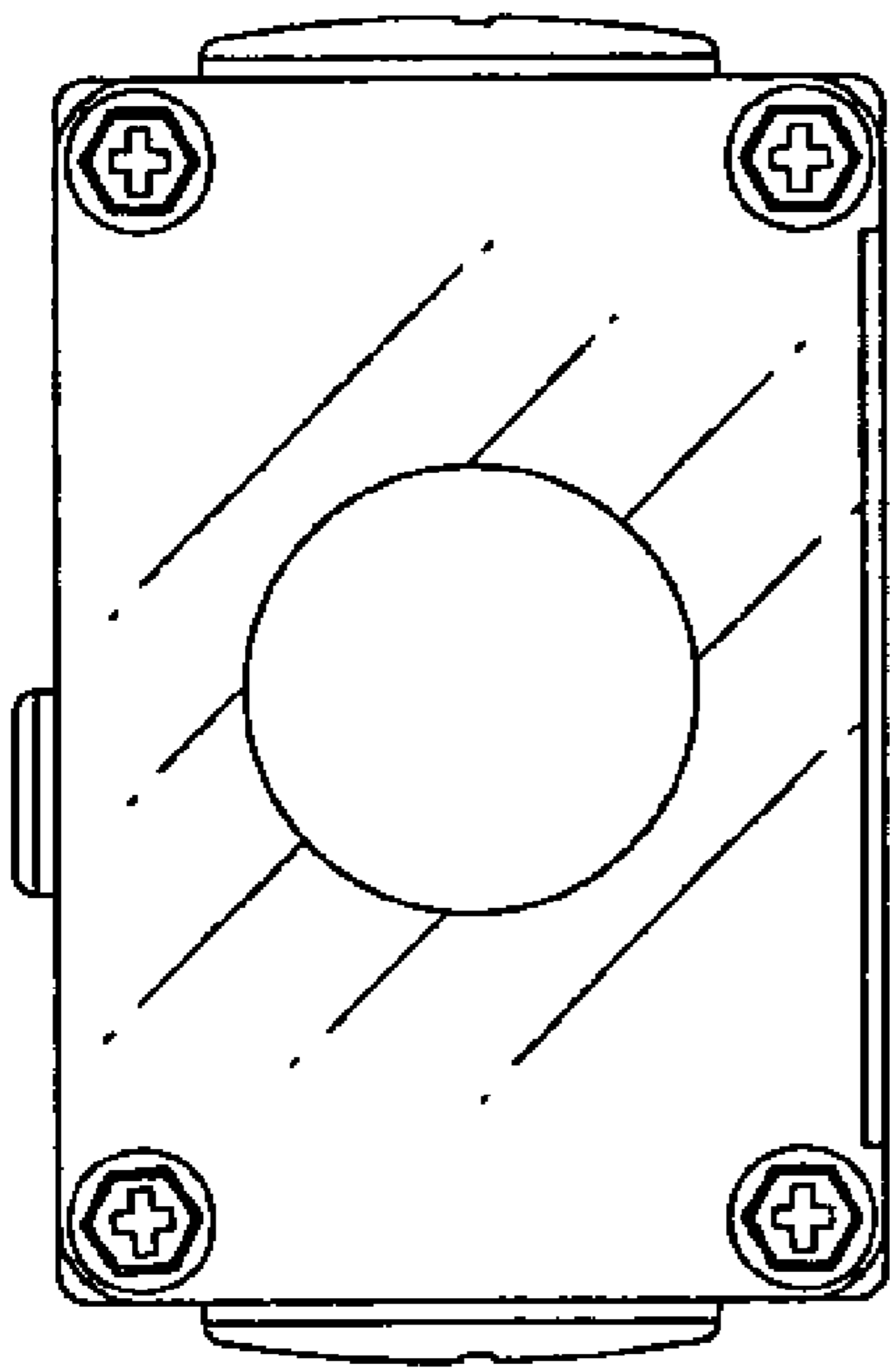


FIG. 7