



US00D550615S

(12) **United States Design Patent**
Tong

(10) **Patent No.:** **US D550,615 S**

(45) **Date of Patent:** **** Sep. 11, 2007**

(54) **CHARGER**

(75) Inventor: **Shubin Tong**, Nanjing (CN)

(73) Assignee: **Nanjing Chervon Industry Co., Ltd.**,
Nanjing (CN)

(**) Term: **14 Years**

(21) Appl. No.: **29/268,977**

(22) Filed: **Nov. 17, 2006**

(30) **Foreign Application Priority Data**

May 17, 2006 (CN) 2006 3 0086078

(51) **LOC (8) Cl.** **13-02**

(52) **U.S. Cl.** **D13/107**

(58) **Field of Classification Search** D13/107-110,
D13/118-119, 184; D14/251, 253, 432,
D14/434; 320/107-115

See application file for complete search history.

(56) **References Cited**

U.S. PATENT DOCUMENTS

D227,123 S *	6/1973	Sato	D13/107
D281,064 S *	10/1985	Scheid	D13/107
D399,244 S *	10/1998	Coveley	D18/12
D411,824 S *	7/1999	Wilson et al.	D13/108
D442,141 S *	5/2001	Ikenaga	D13/107
D454,131 S *	3/2002	Lord	D14/434

D474,737 S *	5/2003	Yoshida	D13/108
D483,016 S *	12/2003	Ma et al.	D13/108
D489,323 S *	5/2004	Yoshida	D13/108
D505,913 S *	6/2005	Kam Lun et al.	D13/107
D511,520 S *	11/2005	Hussaini et al.	D14/434
D514,576 S *	2/2006	Sung et al.	D14/434
D535,615 S *	1/2007	Iwai	D13/108

* cited by examiner

Primary Examiner—M. H. Tung

Assistant Examiner—Rosemary K. Tarcza

(74) *Attorney, Agent, or Firm*—Butzel Long

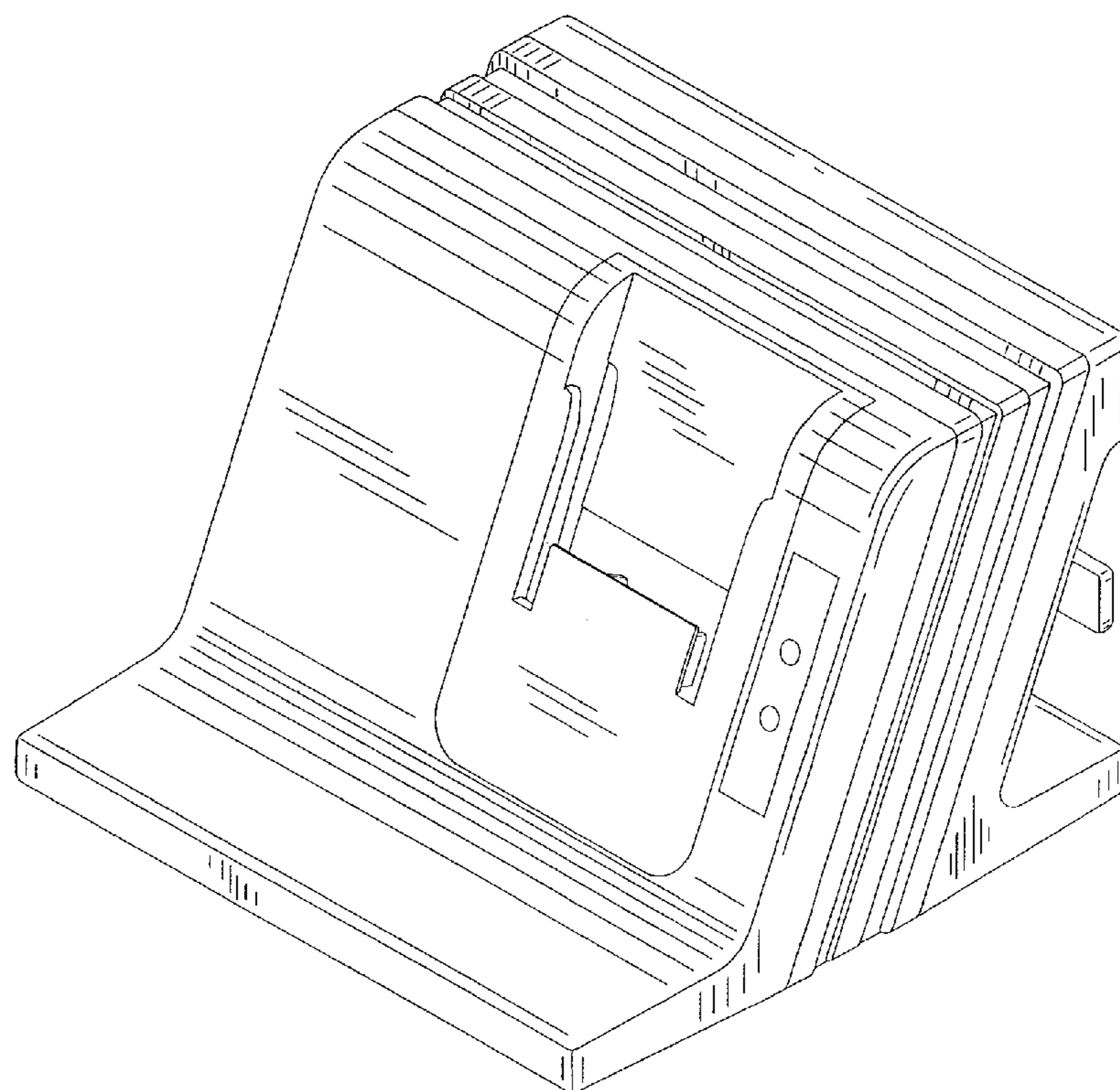
(57) **CLAIM**

The ornamental design for a charger, as shown and described.

DESCRIPTION

FIG. 1 is a front elevational view of the design;
FIG. 2 is a rear elevational view of the charger in FIG. 1;
FIG. 3 is a left side elevational view of the charger in FIG. 1;
FIG. 4 is a right side elevational view of the charger in FIG. 1;
FIG. 5 is a top plan view of the charger in FIG. 1;
FIG. 6 is a bottom plan view of the charger in FIG. 1; and,
FIG. 7 is a perspective view of the charger of FIG. 1.

1 Claim, 7 Drawing Sheets



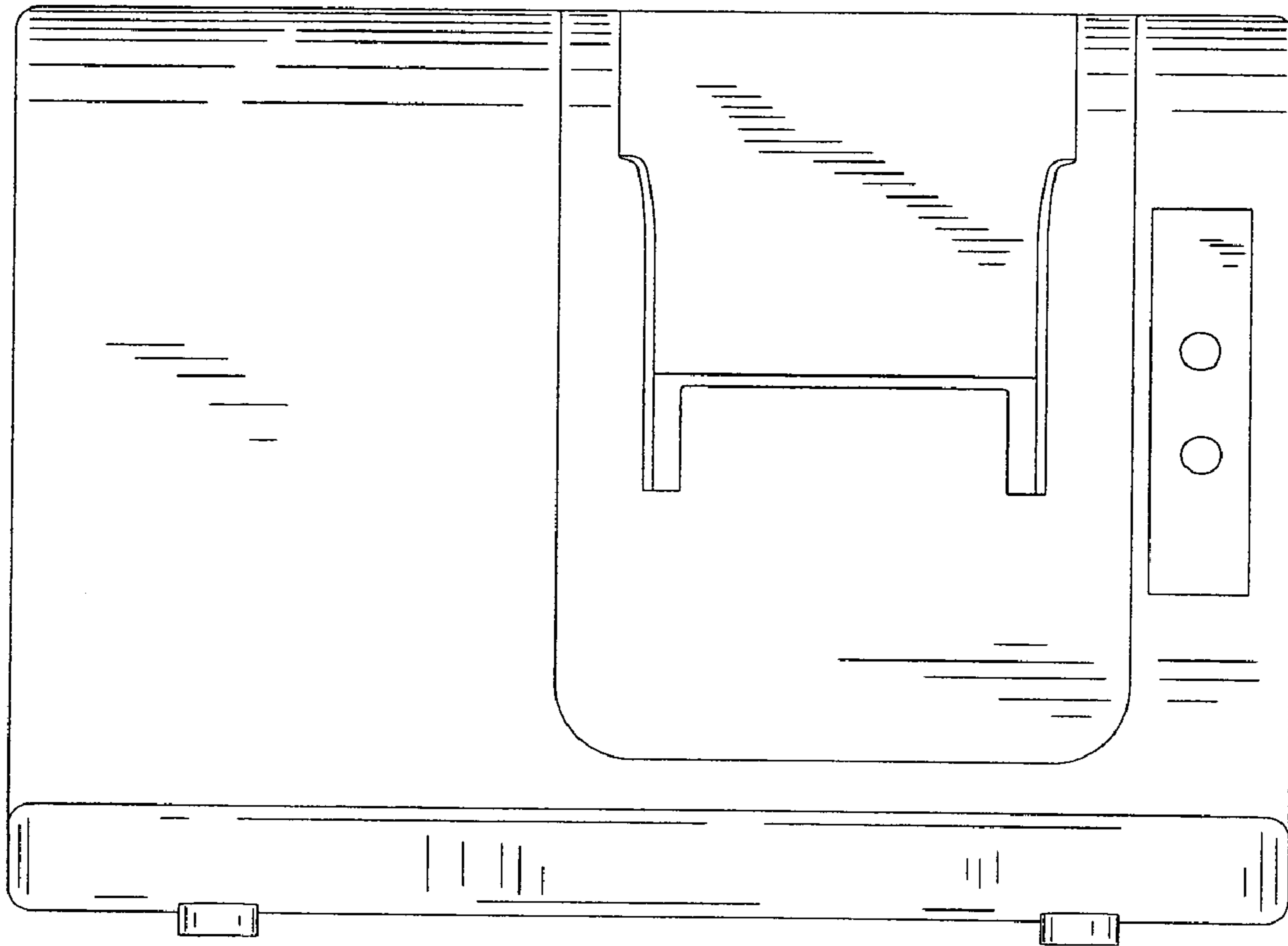


FIG 1

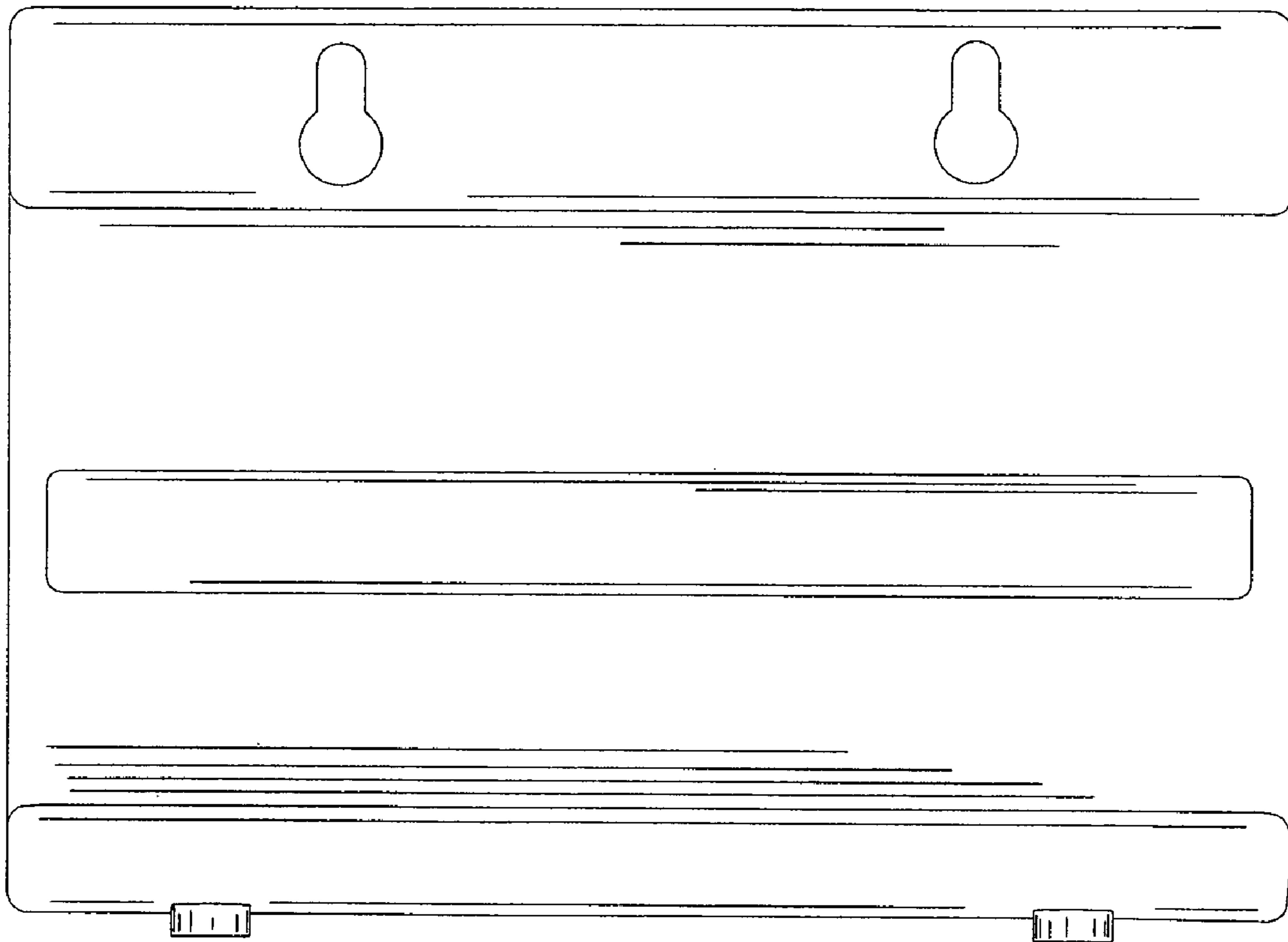


FIG 2

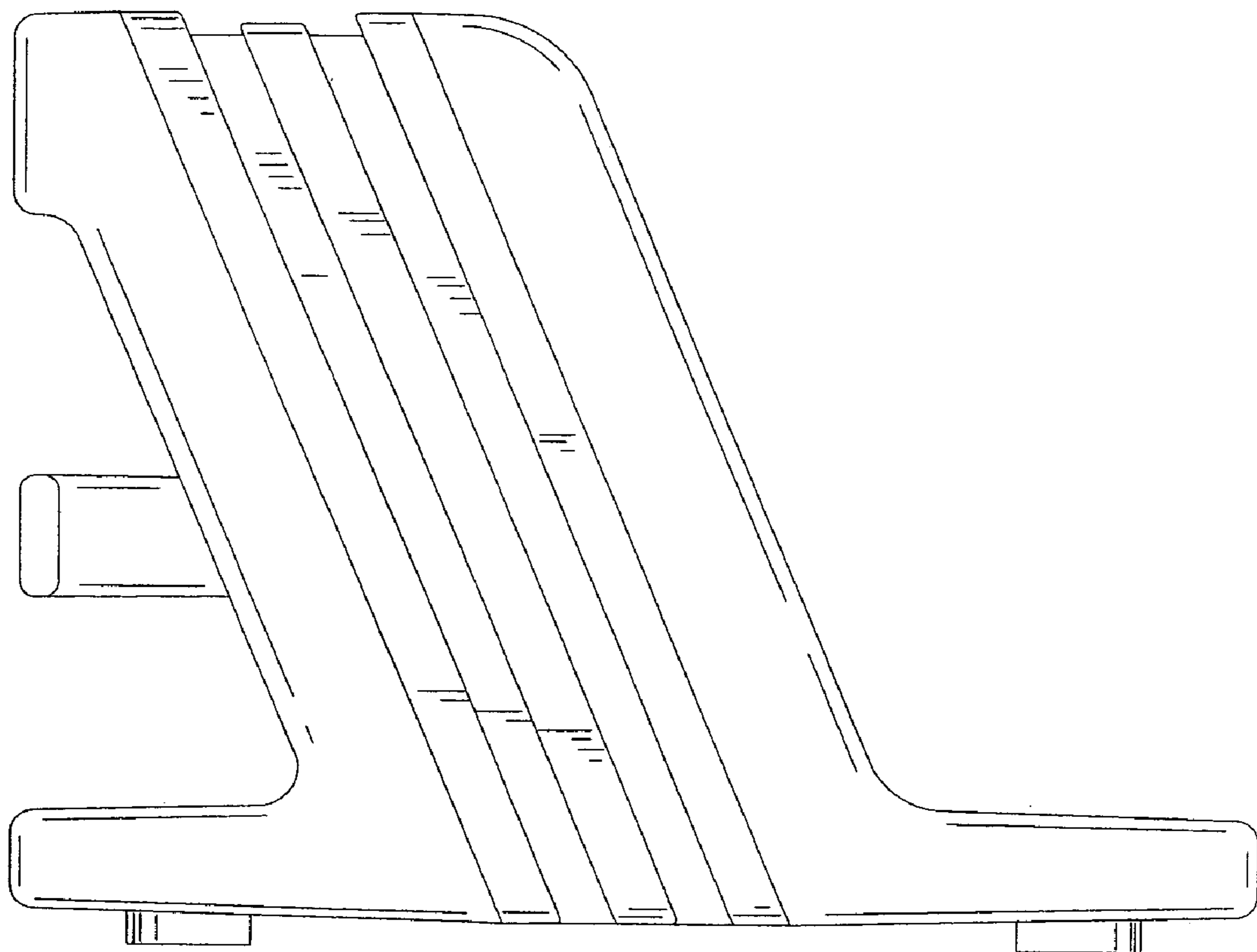


FIG 3

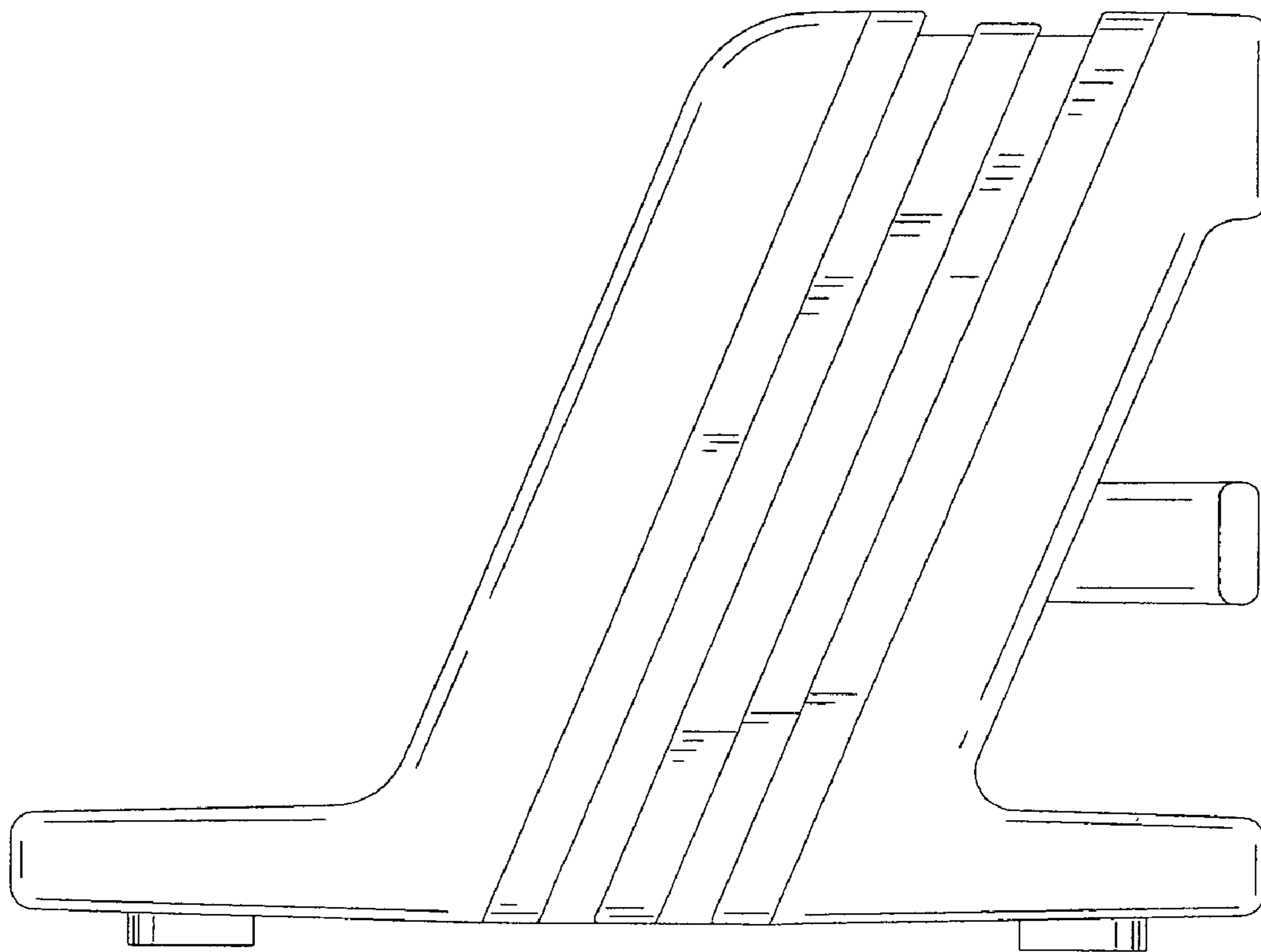


FIG 4

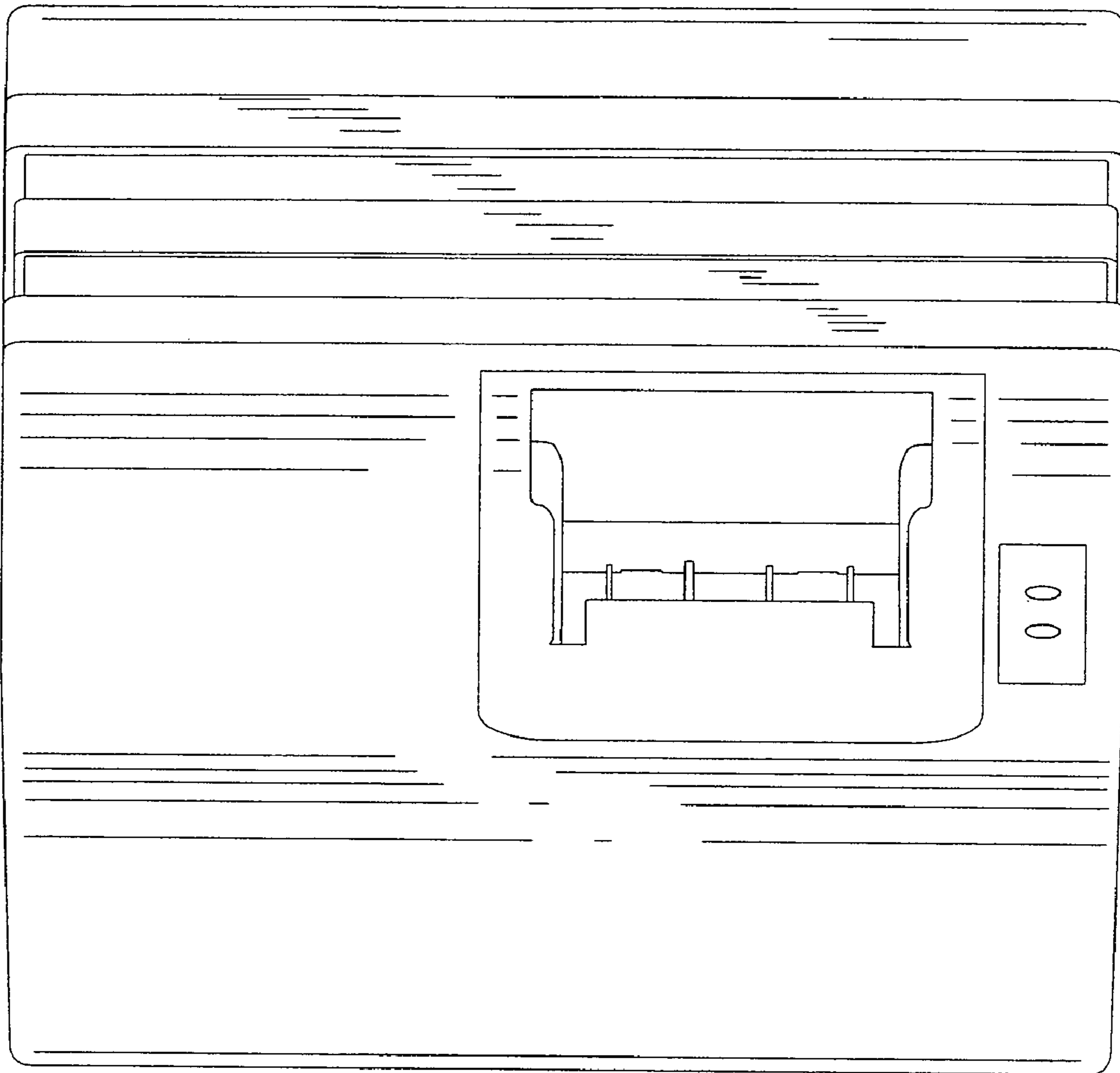


FIG 5

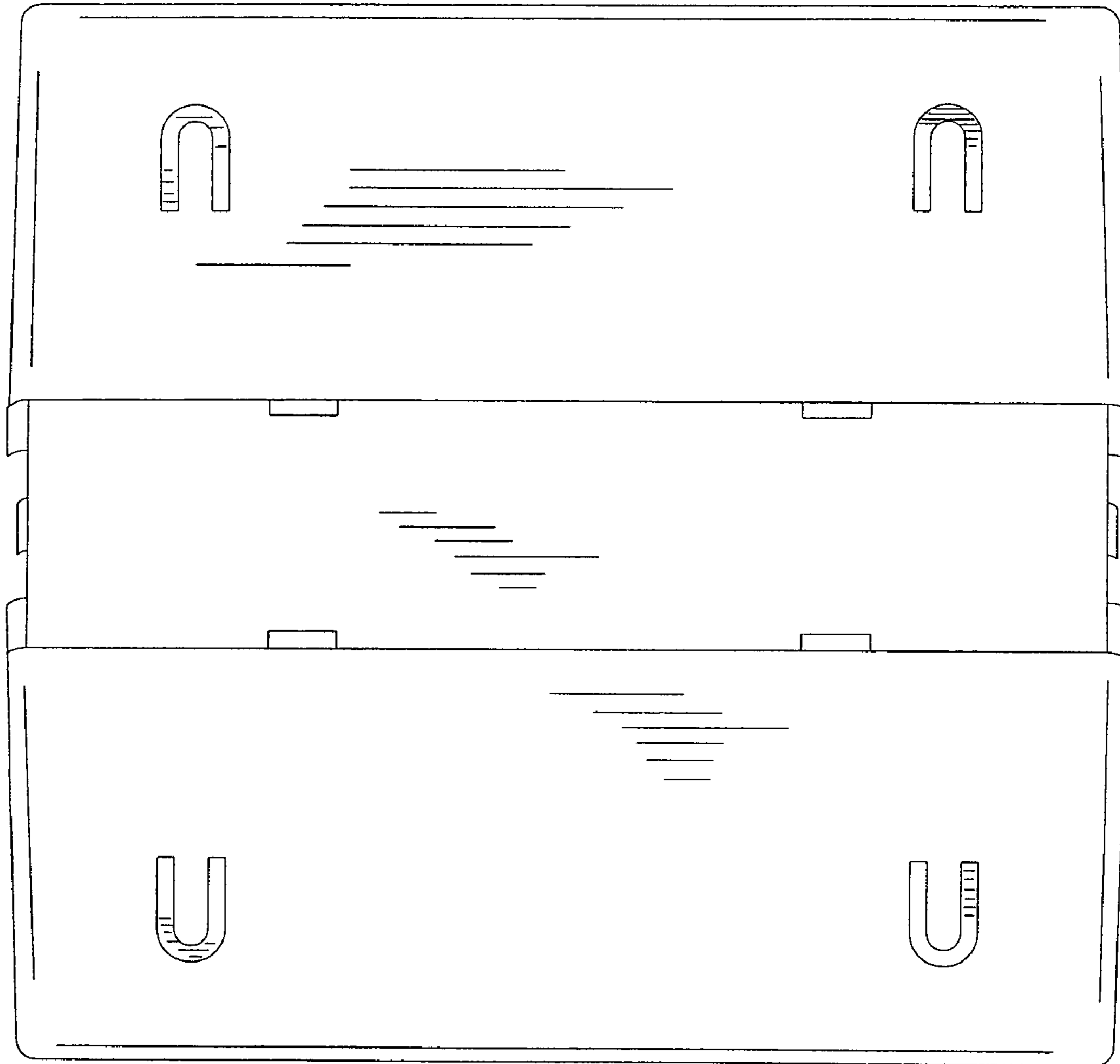


FIG 6

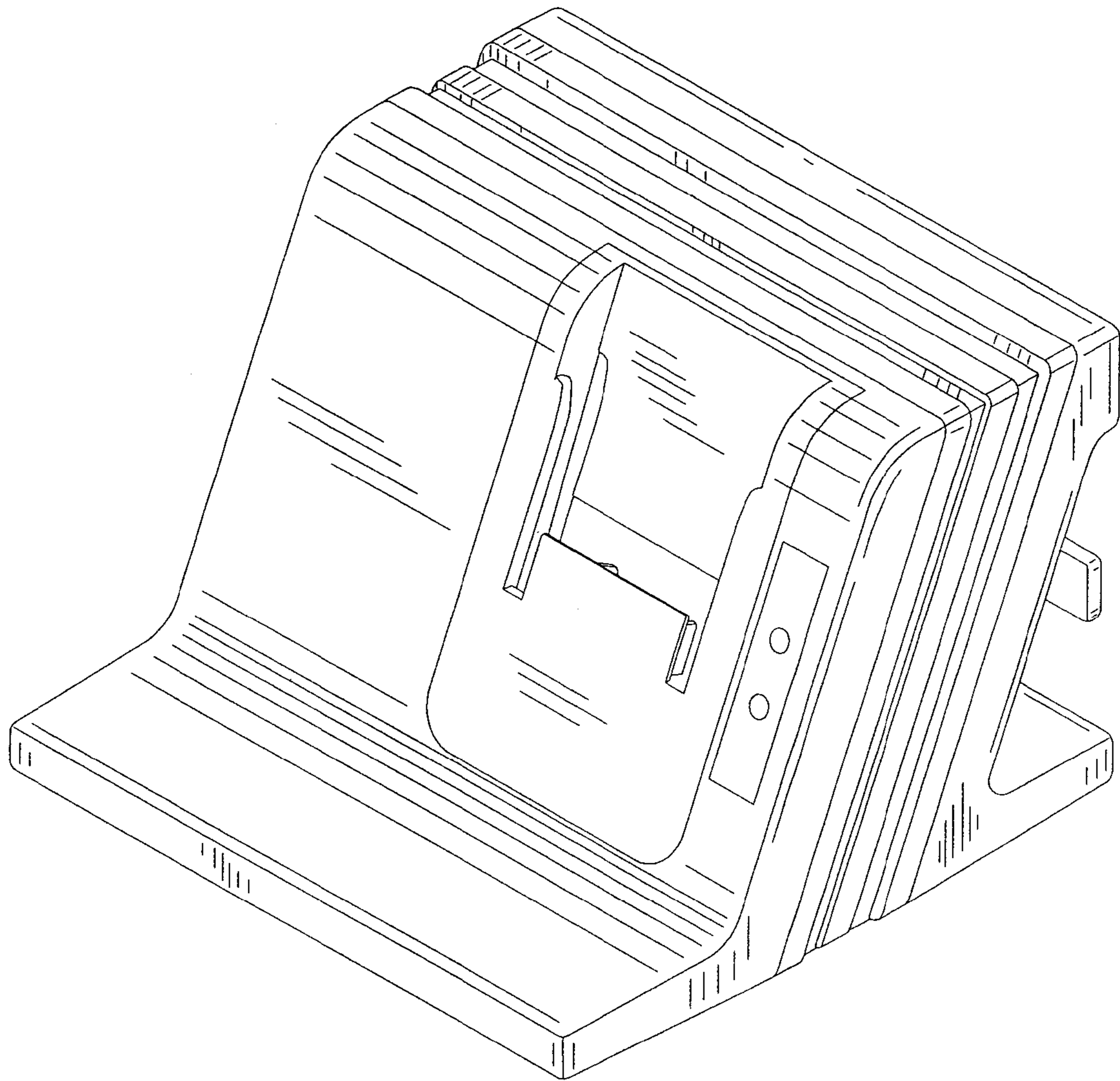


FIG 7