



US00D550613S

(12) **United States Design Patent**  
**Hamasaki**

(10) **Patent No.:** **US D550,613 S**

(45) **Date of Patent:** **\*\* Sep. 11, 2007**

(54) **RECHARGEABLE BATTERY CASE**

(75) Inventor: **Takashi Hamasaki**, Kanagawa  
Prefecture (JP)

(73) Assignee: **Kyosho Corporation**, Tokyo (JP)

(\*\*) Term: **14 Years**

(21) Appl. No.: **29/263,679**

(22) Filed: **Jul. 28, 2006**

(30) **Foreign Application Priority Data**

Jan. 31, 2006 (JP) ..... 2006-001963

(51) **LOC (8) Cl.** ..... **13-02**

(52) **U.S. Cl.** ..... **D13/103**

(58) **Field of Classification Search** ..... D13/102-106,  
D13/110, 118-119, 184; 429/96-100, 163,  
429/176

See application file for complete search history.

(56) **References Cited**

U.S. PATENT DOCUMENTS

- D342,249 S \* 12/1993 Beaumont et al. .... D14/142
- D368,429 S \* 4/1996 Serio, Jr. .... D9/431
- D380,475 S \* 7/1997 Rasmussen ..... D14/240
- D383,114 S \* 9/1997 Wandler et al. .... D13/110
- D394,841 S \* 6/1998 Hashimoto et al. .... D13/103
- D414,159 S \* 9/1999 Deslyper et al. .... D13/103

- D423,449 S \* 4/2000 Naskali ..... D13/103
- D439,877 S \* 4/2001 Vacheron et al. .... D13/103
- D478,608 S \* 8/2003 Briks et al. .... D16/237
- D490,370 S \* 5/2004 Picardo ..... D13/103
- D491,137 S \* 6/2004 Suzuki ..... D13/103
- D516,502 S \* 3/2006 Small ..... D13/103
- 2006/0057461 A1 \* 3/2006 Hamada et al. .... 429/181

\* cited by examiner

*Primary Examiner*—Alan P. Douglas

*Assistant Examiner*—Rosemary K. Tarcza

(74) *Attorney, Agent, or Firm*—Nixon & Vanderhye, P.C.

(57) **CLAIM**

The ornamental design for a “rechargeable battery case,” as shown and described.

**DESCRIPTION**

FIG. 1 is a front perspective view of a rechargeable battery case which embodies my new and original design therefore;

FIG. 2 is a left side elevation view of thereof, the right side elevation view being a mirror image thereof;

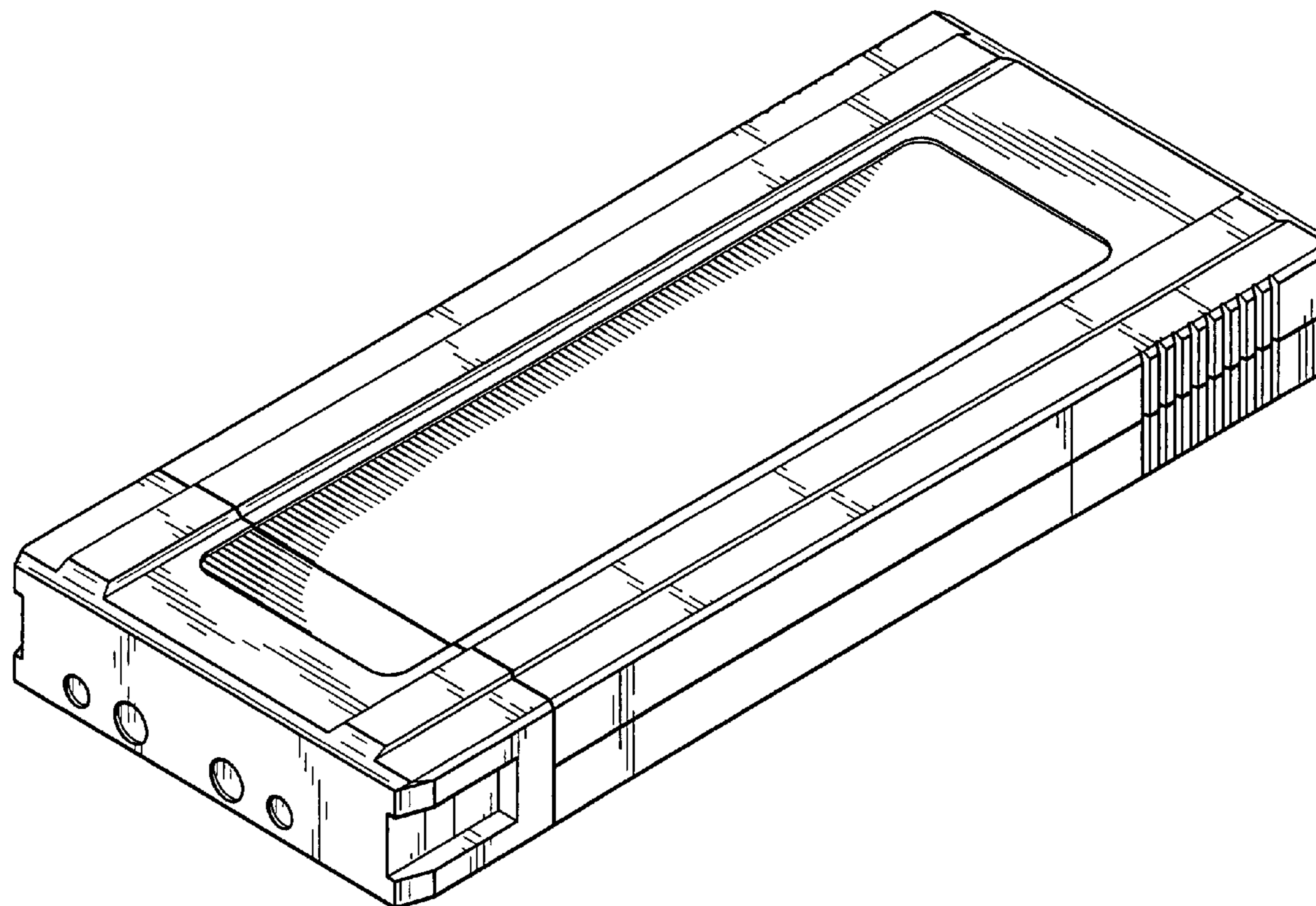
FIG. 3 is a top plan view thereof;

FIG. 4 is a bottom plan view thereof;

FIG. 5 is a rear elevation view thereof; and,

FIG. 6 is a front elevation view thereof.

**1 Claim, 5 Drawing Sheets**



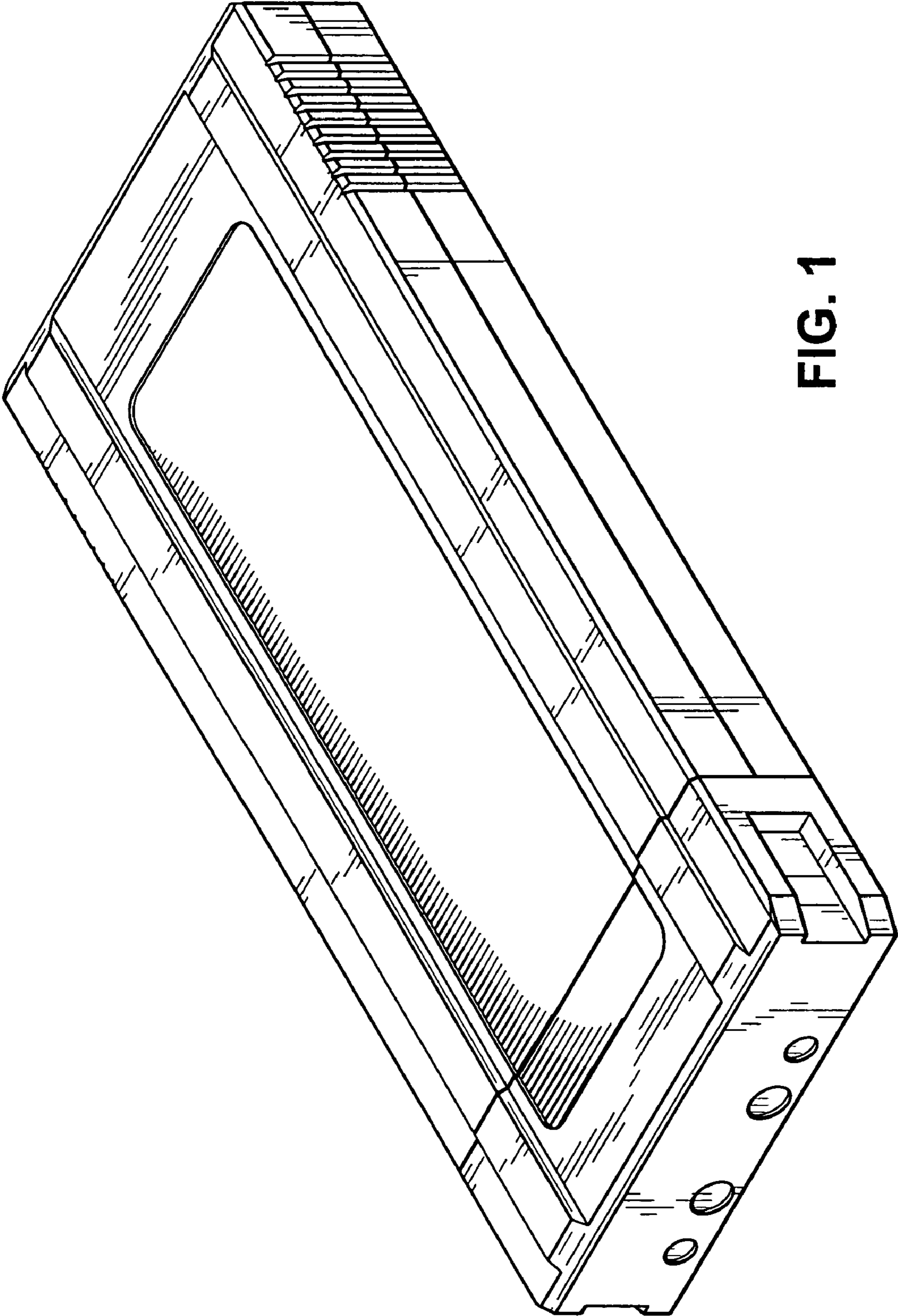


FIG. 1

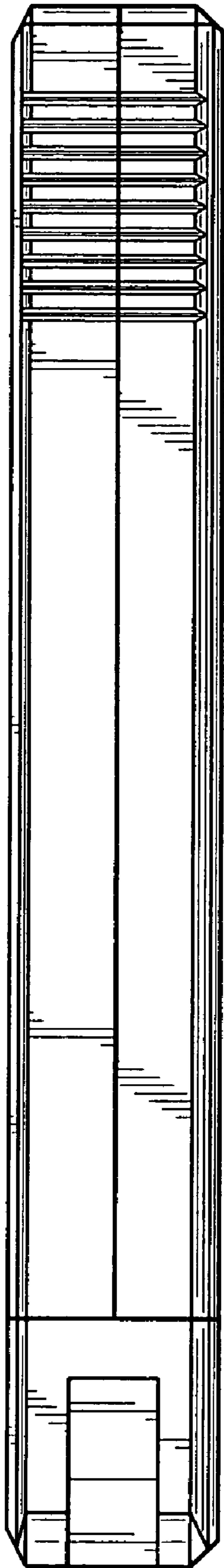


FIG. 2

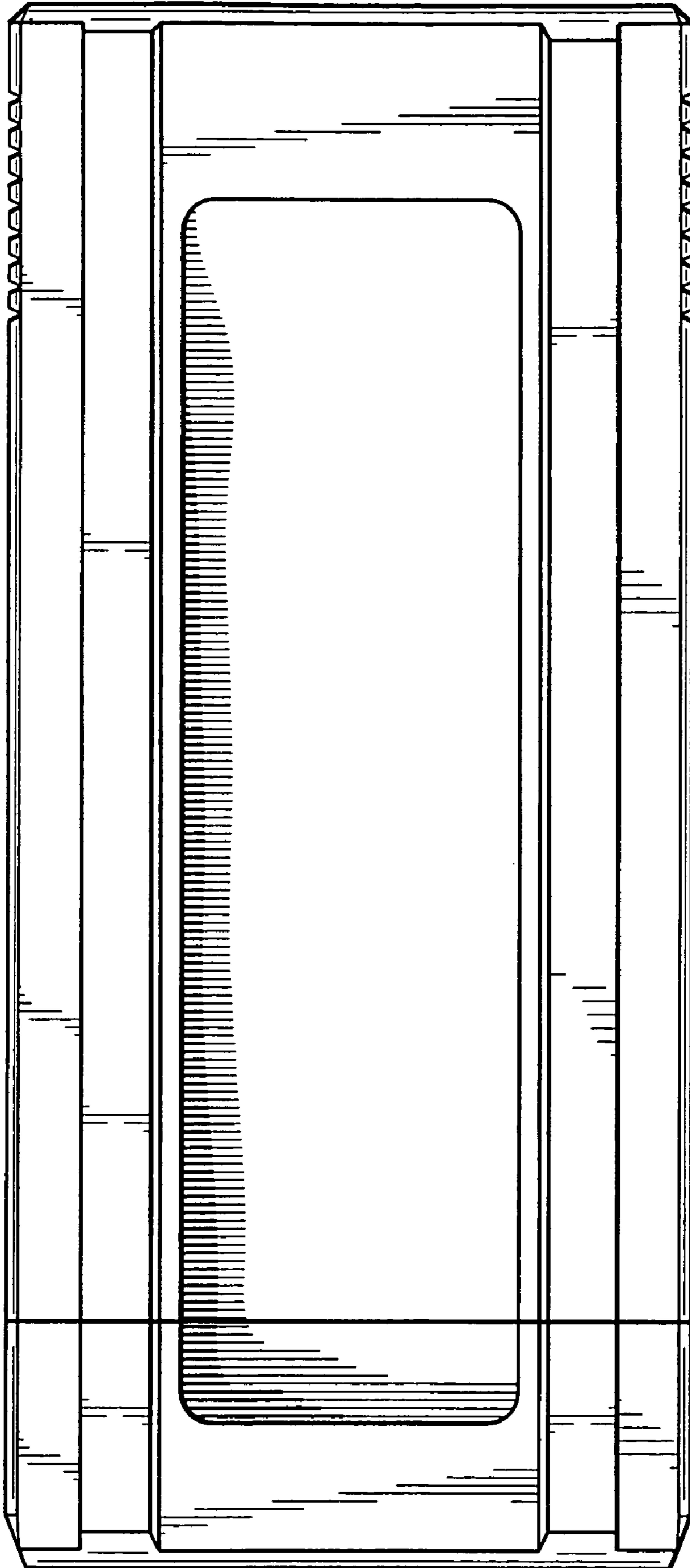


FIG. 3

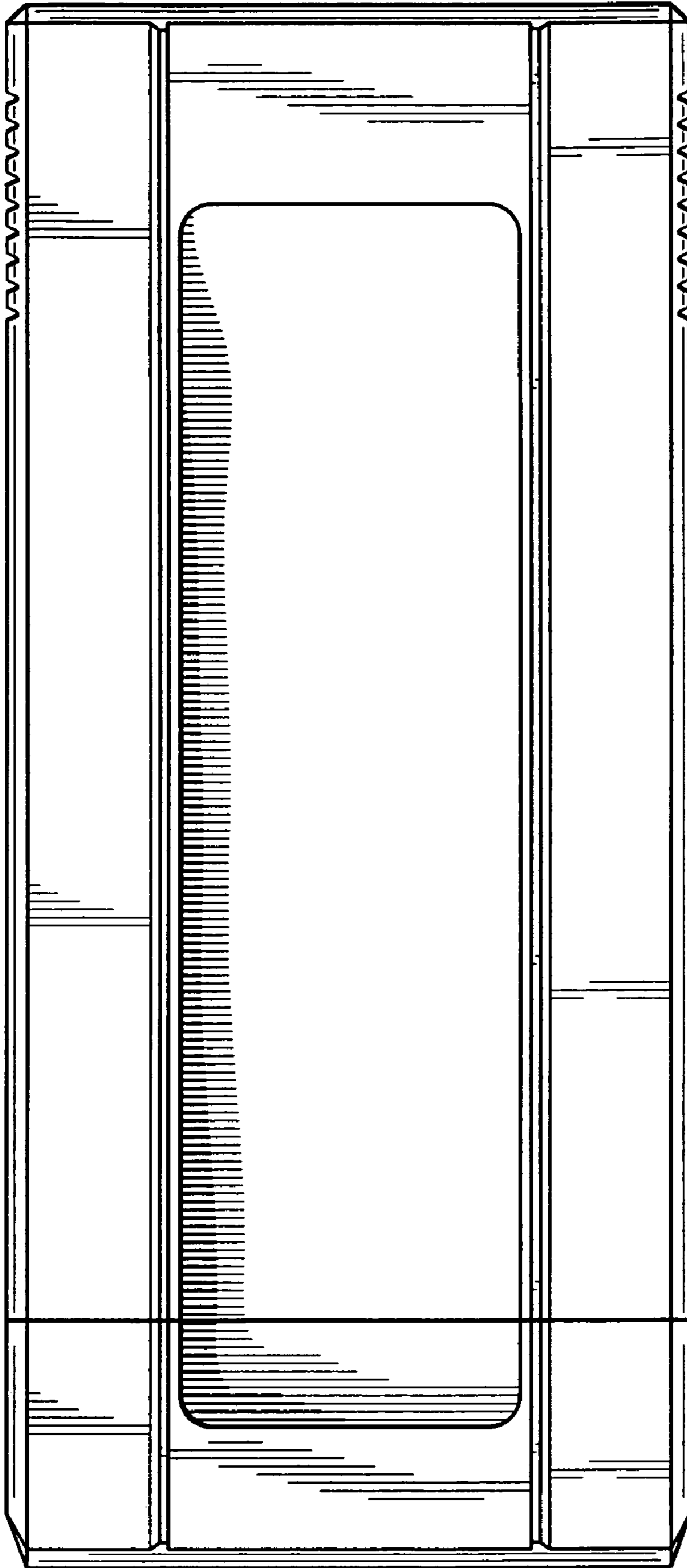


FIG. 4

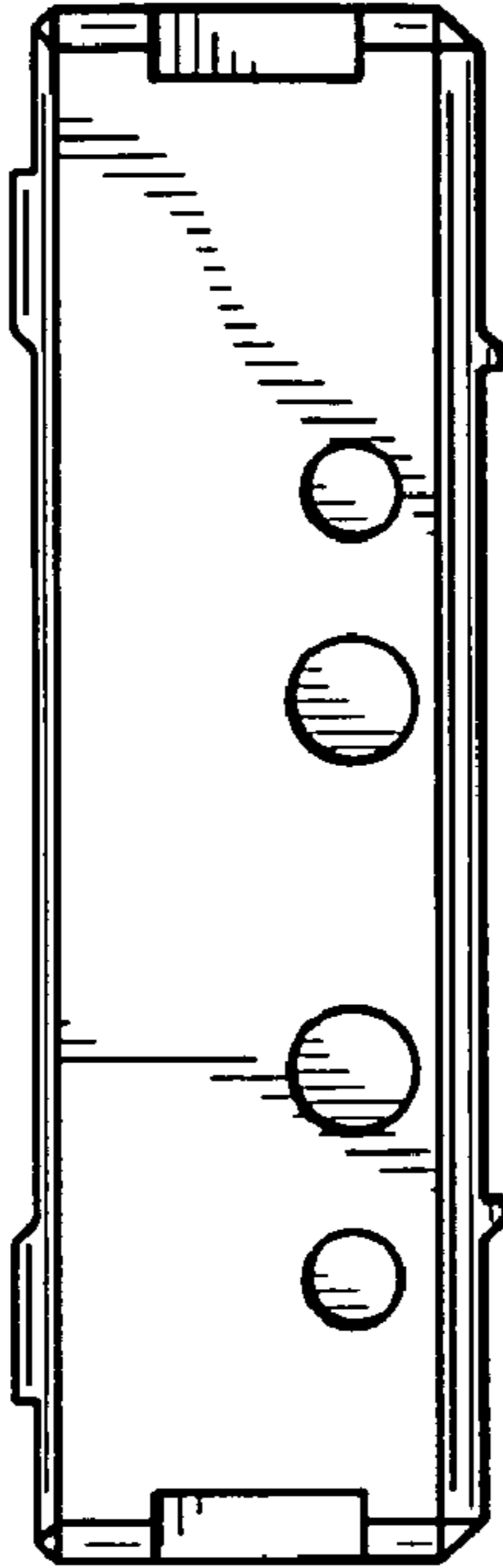


FIG. 6

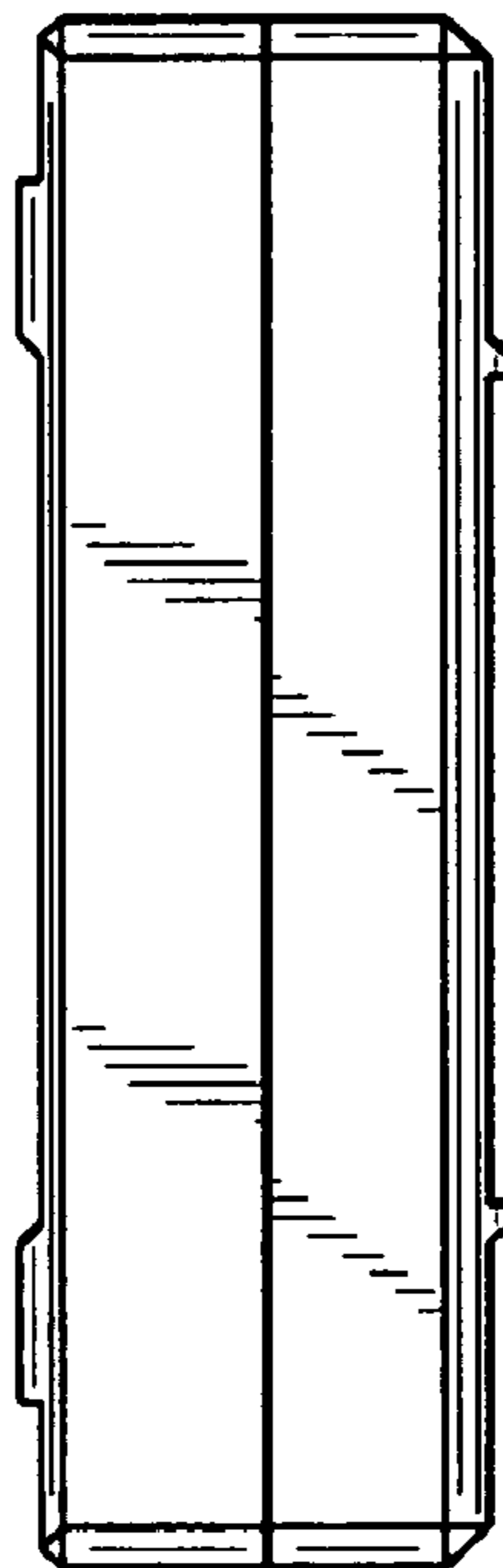


FIG. 5