



US00D550611S

(12) **United States Design Patent**
Liukkula et al.

(10) **Patent No.:** **US D550,611 S**

(45) **Date of Patent:** **** Sep. 11, 2007**

(54) **TIRE STUD**

(75) Inventors: **Mikko Liukkula**, Viiala (FI); **Pentti Eromäki**, Nokia (FI); **Juha Pirhonen**, Sarkola (FI)

(73) Assignee: **Nokian Tyres PLC**, Nokia (FI)

(**) Term: **14 Years**

(21) Appl. No.: **29/273,114**

(22) Filed: **Feb. 27, 2007**

3,545,515 A *	12/1970	Gottauf	152/210
3,889,735 A *	6/1975	Salakari	152/210
3,998,257 A *	12/1976	Mayra	152/210
4,921,030 A *	5/1990	Suvanto	152/210
5,581,913 A *	12/1996	Kataoka et al.	36/134
5,634,994 A *	6/1997	Teeri	152/210
D431,215 S *	9/2000	Nyblom	D12/608
2004/0163746 A1 *	8/2004	Eromaki	152/210
2004/0231775 A1 *	11/2004	Eromaki	152/210

Related U.S. Application Data

(62) Division of application No. 29/242,390, filed on Nov. 9, 2005.

Foreign Application Priority Data

May 13, 2005 (EM) 000346580

(51) **LOC (8) Cl.** **12-15**

(52) **U.S. Cl.** **D12/608**

(58) **Field of Classification Search** D12/500,
D12/501, 544, 579, 604, 608; 301/41.1;
305/19, 187, 189, 191; 36/59 R, 59 B, 67 A,
36/134; 152/64, 100, 164, 208, 210, 209.12,
152/222, 225 R, 226, 243

See application file for complete search history.

(56) **References Cited**

U.S. PATENT DOCUMENTS

3,476,166 A * 11/1969 Simon 152/210

* cited by examiner

Primary Examiner—Stacia Cadmus

(74) *Attorney, Agent, or Firm*—Klauber & Jackson LLC

(57) **CLAIM**

The ornamental design for tire stud, as shown.

DESCRIPTION

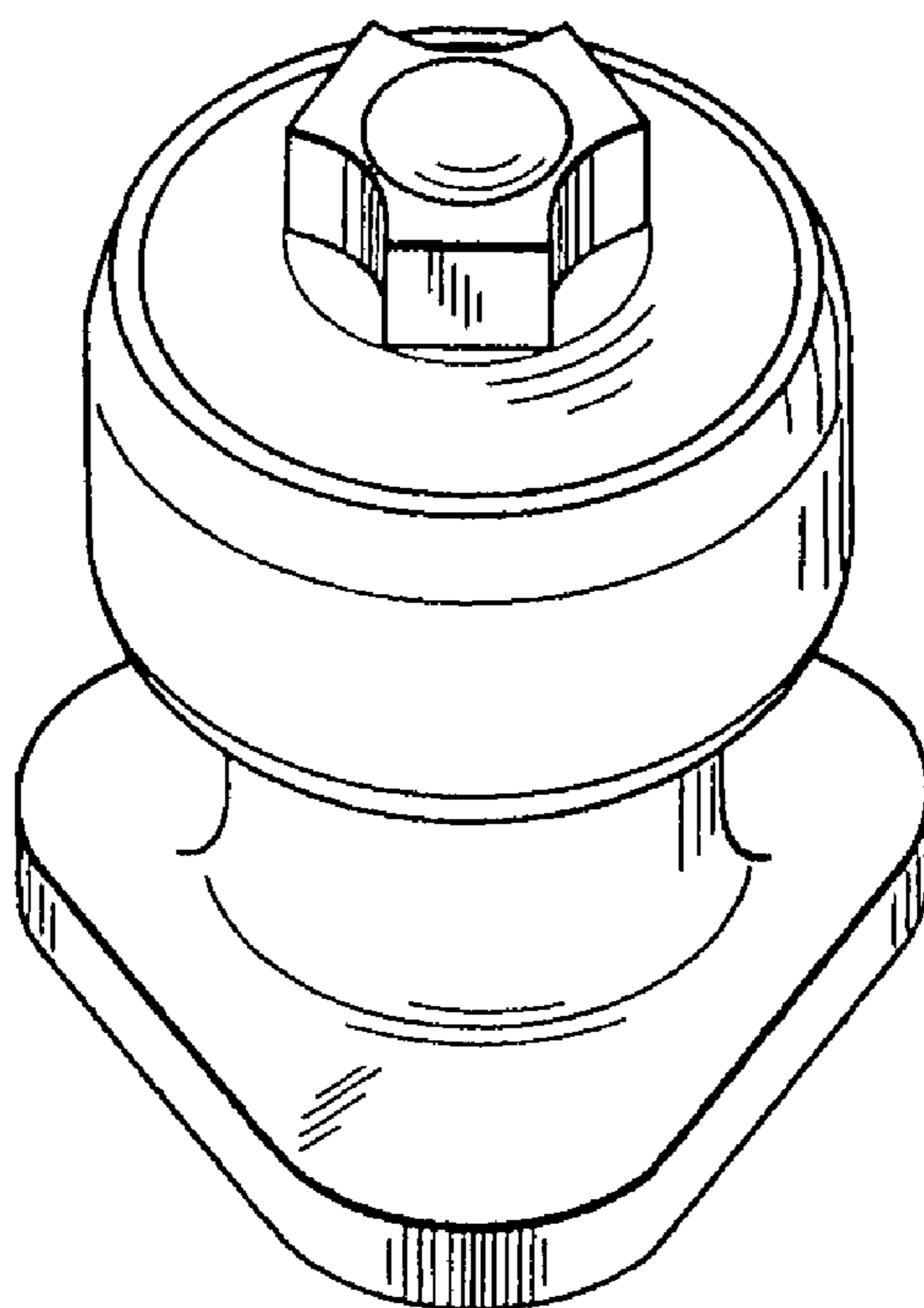
FIG. 1 is a top front perspective view of a tire stud of our new design;

FIG. 2 is a side elevational view of the design of FIG. 1;

FIG. 3 is a top view thereof; and,

FIG. 4 is a bottom view thereof.

1 Claim, 1 Drawing Sheet



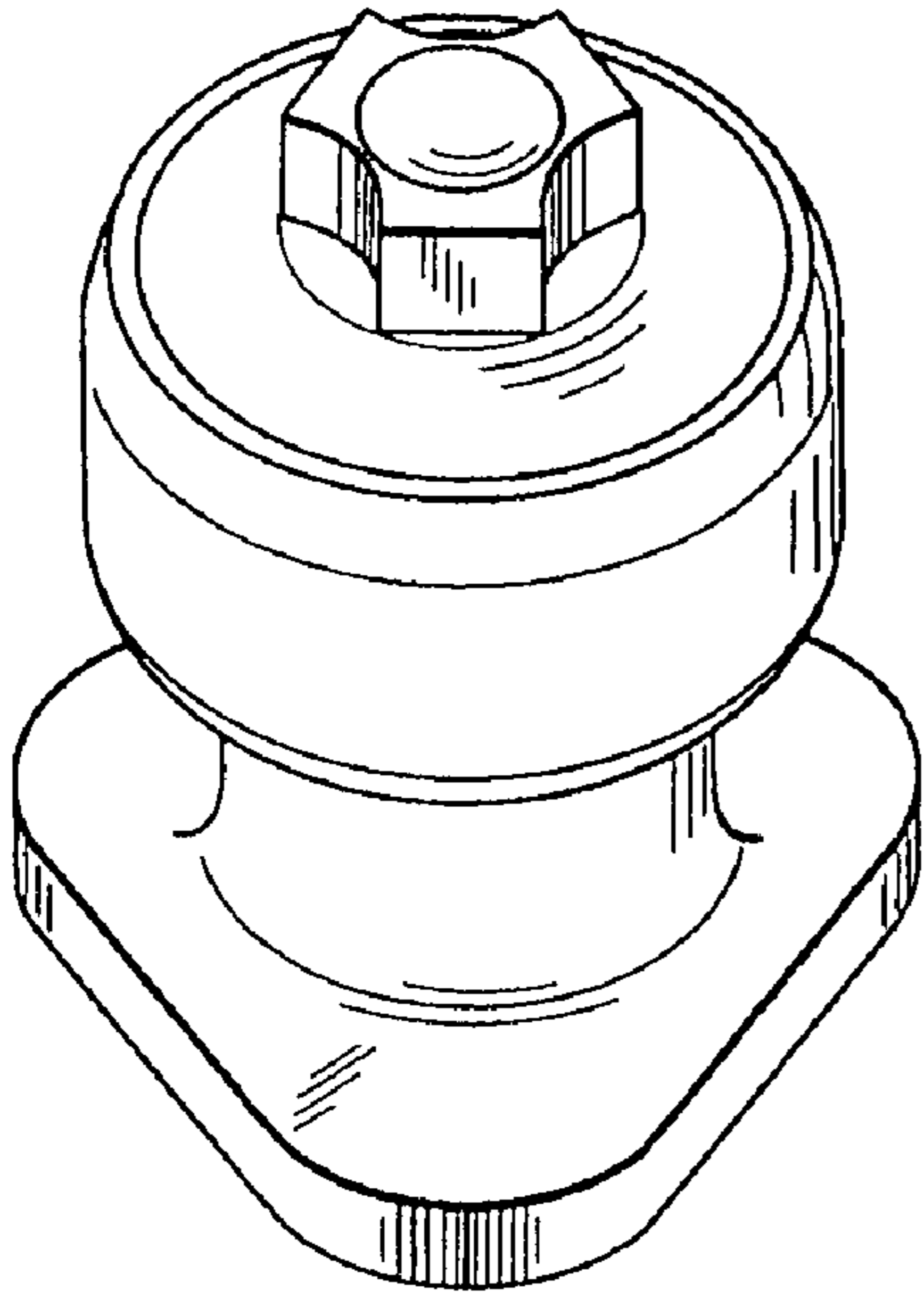


Fig. 1

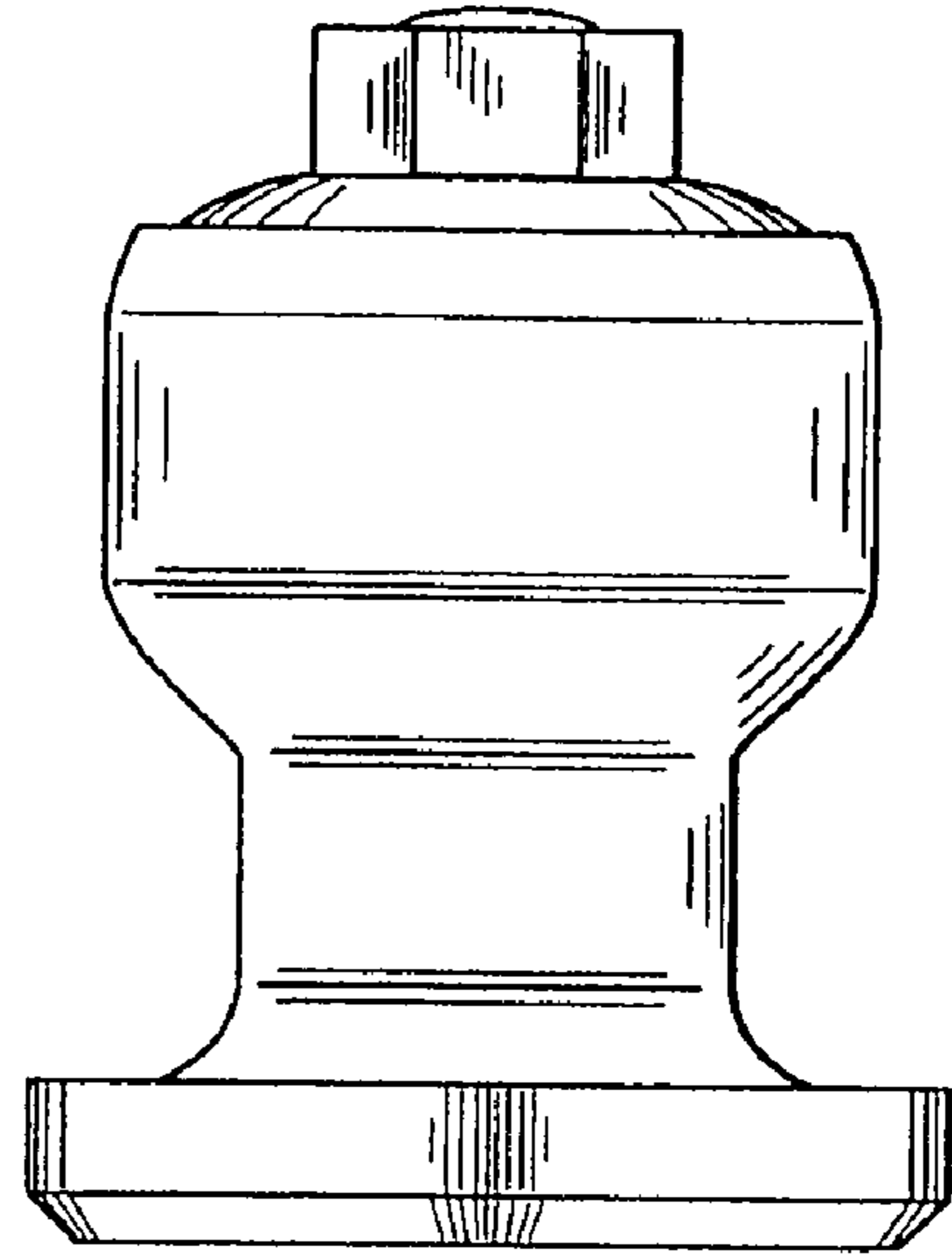


Fig. 2

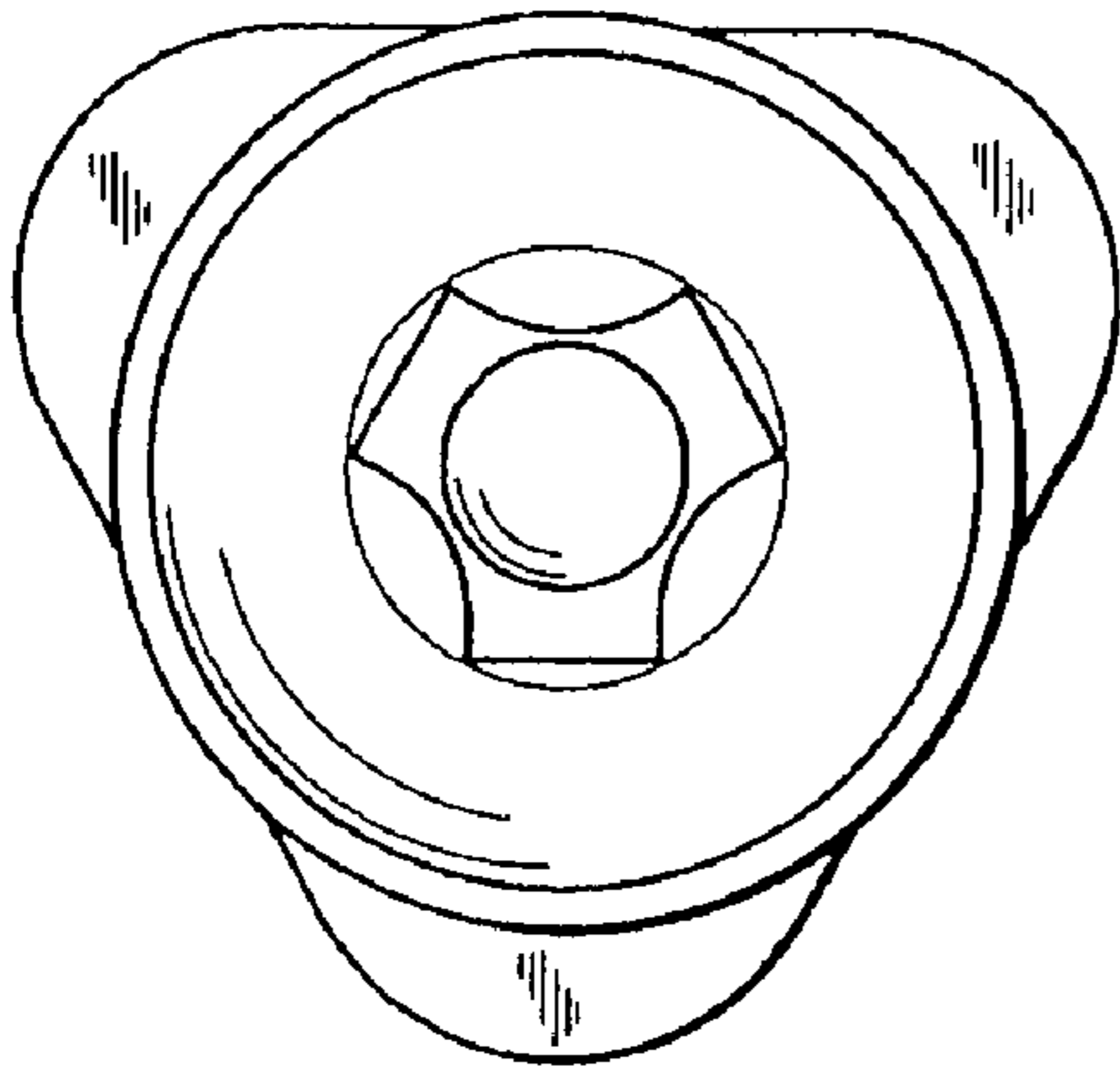


Fig. 3

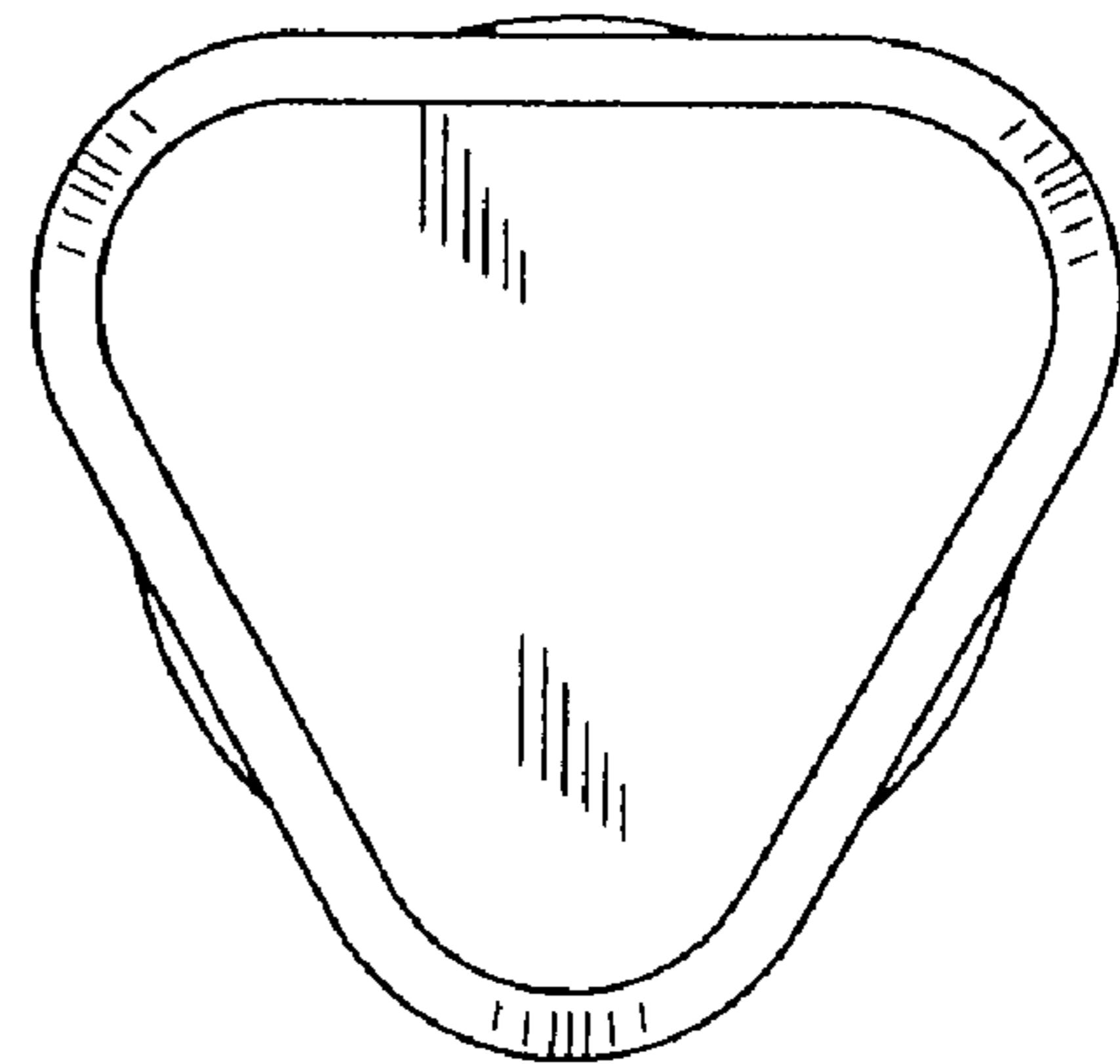


Fig. 4