



US00D550606S

(12) **United States Design Patent**  
**Shimizugami et al.**

(10) **Patent No.:** **US D550,606 S**

(45) **Date of Patent:** **\*\* Sep. 11, 2007**

(54) **GRIP FOR A WATER SCOOTER**

(75) Inventors: **Tsutomu Shimizugami**, Kakogawa (JP); **Seiichi Ino**, Kakogawa (JP)

(73) Assignee: **Kawasaki Jukogyo Kabushiki Kaisha**, Hyogo (JP)

(\*\*) Term: **14 Years**

(21) Appl. No.: **29/275,410**

(22) Filed: **Dec. 22, 2006**

(30) **Foreign Application Priority Data**

Jun. 29, 2006 (JP) ..... 2006-017068

(51) **LOC (8) Cl.** ..... **12-06**

(52) **U.S. Cl.** ..... **D12/317**

(58) **Field of Classification Search** ..... D12/300,  
D12/307, 317; 114/55.5, 55.55, 55.56, 55.57,  
114/270, 271, 357, 380

See application file for complete search history.

(56) **References Cited**

**U.S. PATENT DOCUMENTS**

- D399,182 S \* 10/1998 Lapointe et al. .... D12/307
- D463,355 S \* 9/2002 Bucaccio et al. .... D12/307
- D464,929 S \* 10/2002 Aselton et al. .... D12/307

- D487,421 S \* 3/2004 Cassell et al. .... D12/307
- D500,280 S \* 12/2004 Cassell et al. .... D12/307
- D507,229 S \* 7/2005 Bucaccio et al. .... D12/307
- 6,932,011 B2 \* 8/2005 Nagata et al. .... 114/55.57

\* cited by examiner

*Primary Examiner*—Holly H. Baynham  
*Assistant Examiner*—Cynthia M. Chin

(57) **CLAIM**

The ornamental design for a grip for a water scooter, as shown and described.

**DESCRIPTION**

FIG. 1 is a rear elevational view of a grip for a water scooter showing our new design;

FIG. 2 is a left side elevational view thereof;

FIG. 3 is a right side elevational view thereof;

FIG. 4 is a top plan view thereof; and,

FIG. 5 is a rear perspective view thereof.

The broken line showing of the environment is for illustrative purposes only and forms no part of the claimed designs.

The portion encompassed by a solid line is the design sought to be patented.

**1 Claim, 5 Drawing Sheets**

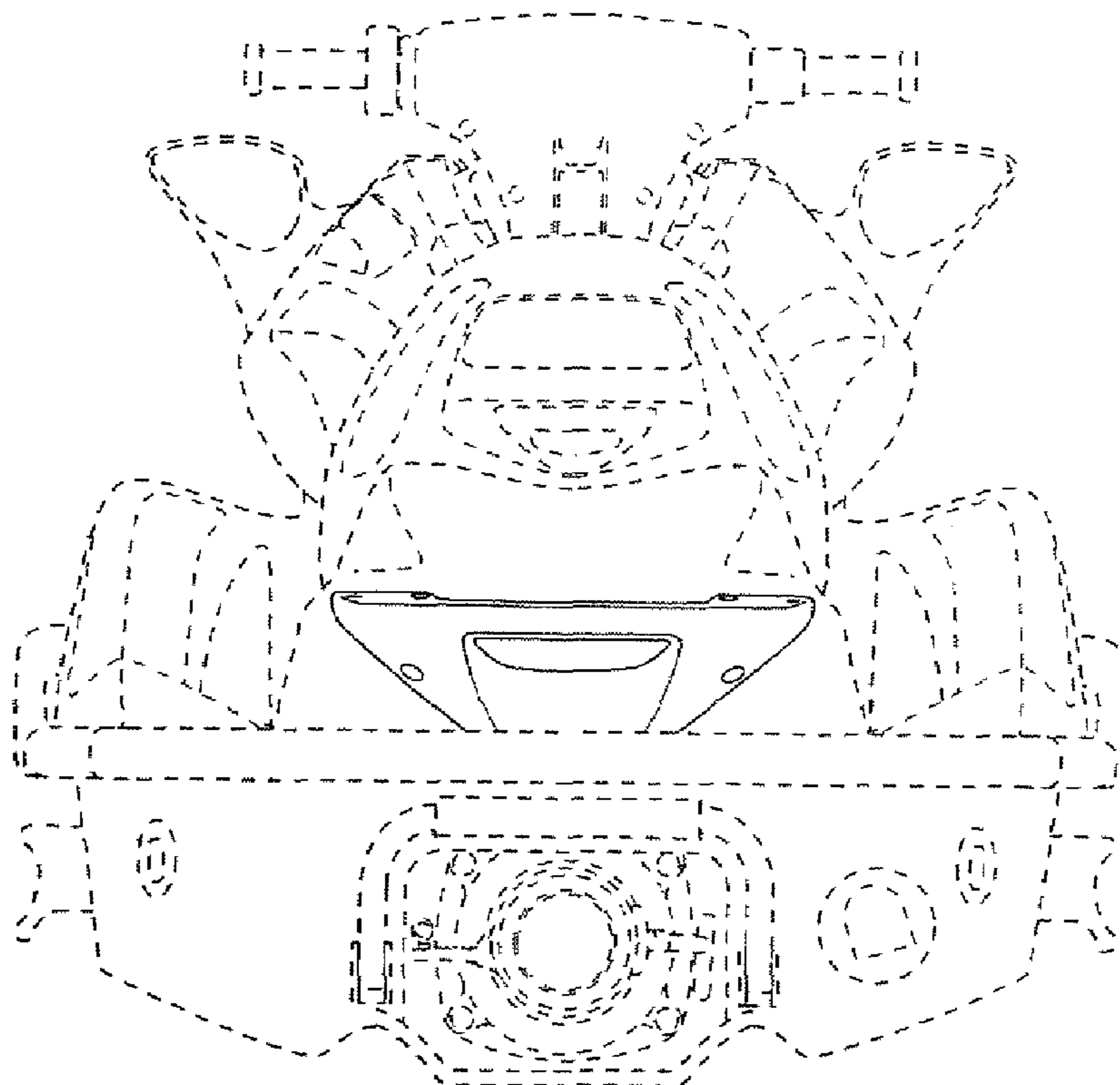


Fig. 1

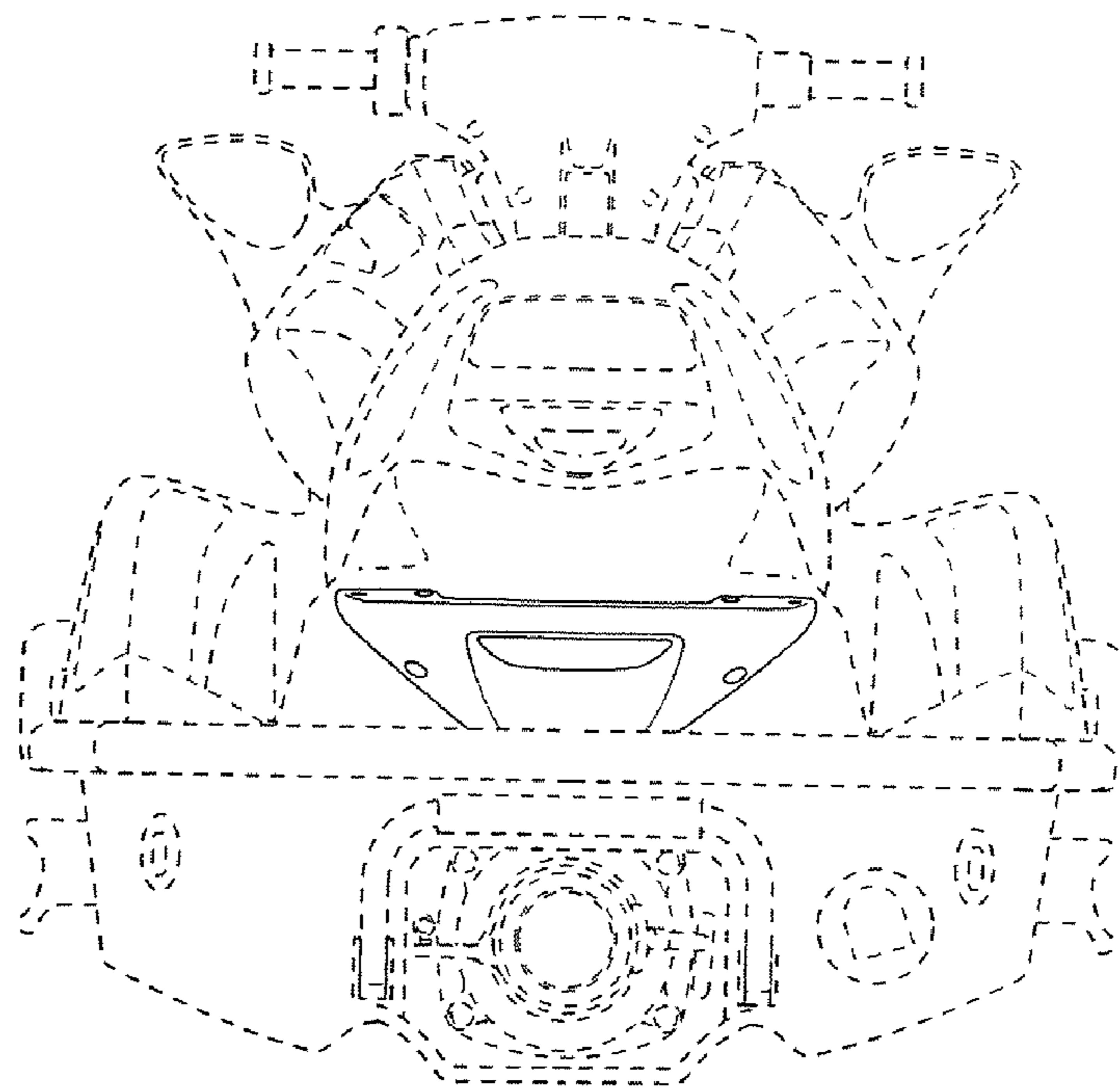
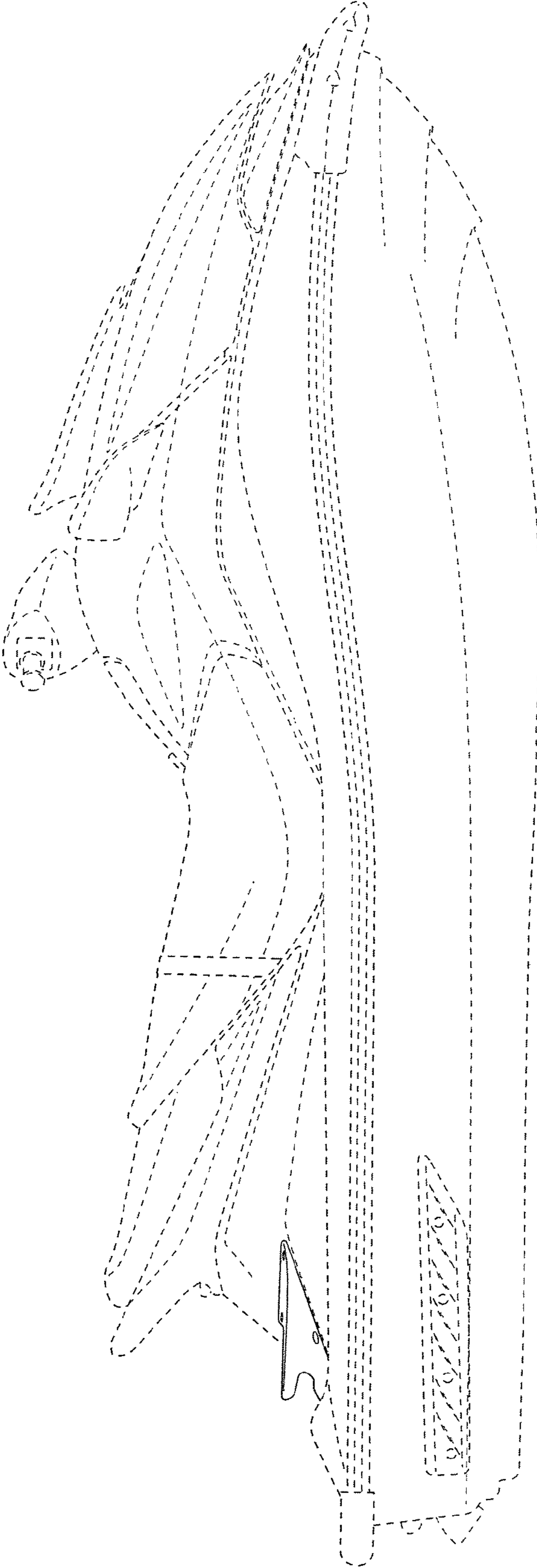


Fig. 2



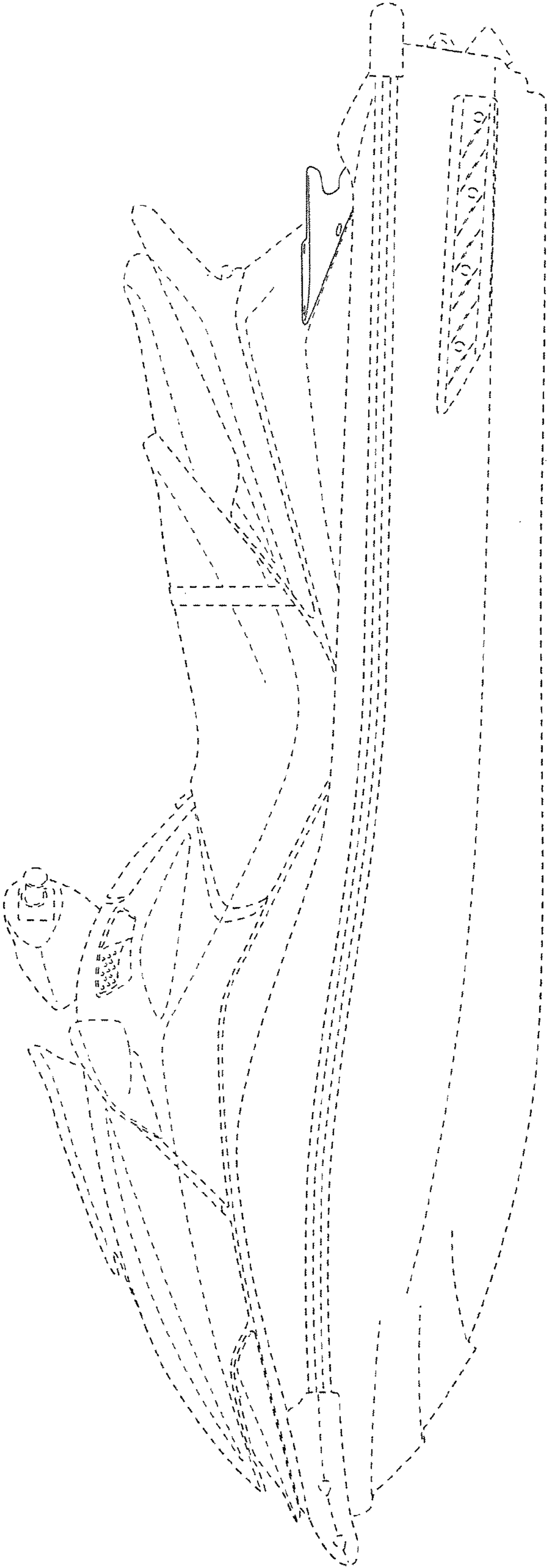


Fig. 3

Fig. 4

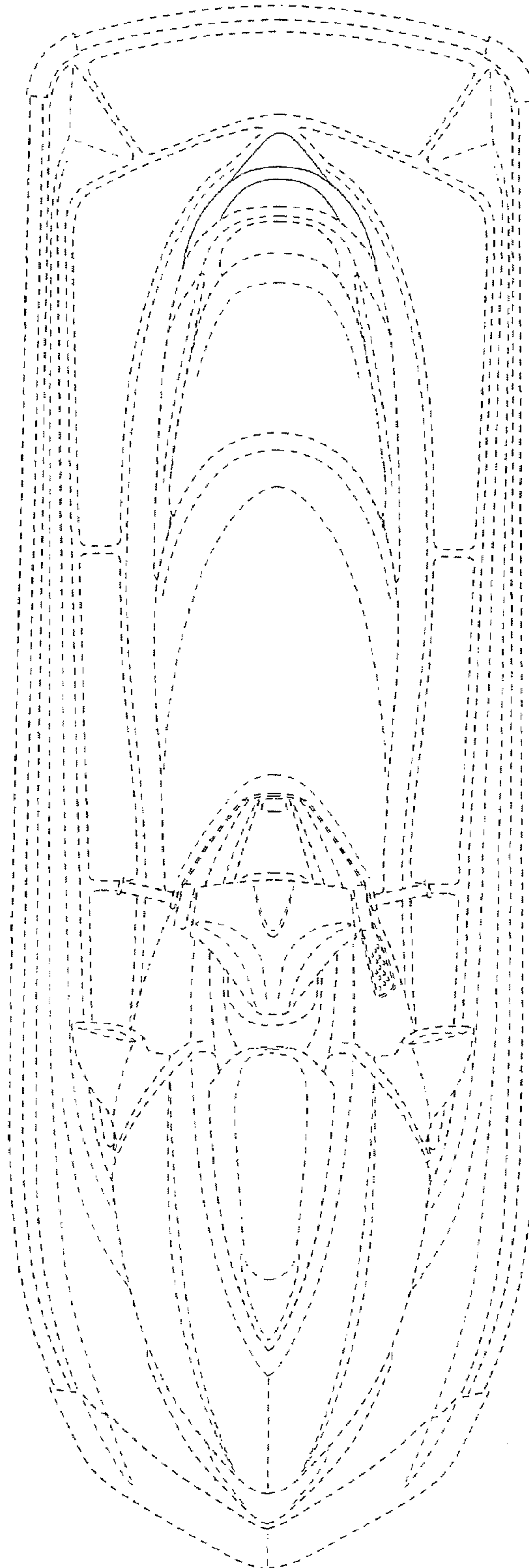


Fig. 5

