



US00D550604S

(12) **United States Design Patent**
Walton et al.

(10) **Patent No.:** **US D550,604 S**
(45) **Date of Patent:** **** Sep. 11, 2007**

(54) **WATERCRAFT MOUNTING STRIP ASSEMBLY END**

(75) Inventors: **Joseph Walton**, Trinity, NC (US);
Andrew J. Zimmerman, Greensboro, NC (US)

(73) Assignee: **Legacy Paddlesports LLC**,
Greensboro, NC (US)

(**) Term: **14 Years**

(21) Appl. No.: **29/248,314**

(22) Filed: **Aug. 9, 2006**

(51) **LOC (8) Cl.** **12-06**

(52) **U.S. Cl.** **D12/317; D8/382**

(58) **Field of Classification Search** D12/300,
D12/303, 317; D8/382, 394, 395; D25/119-122;
24/573.09, 346, 370, 598.5; 114/219, 343,
114/361, 364

See application file for complete search history.

(56) **References Cited**

U.S. PATENT DOCUMENTS

3,367,349 A	3/1968	O'Link	
4,084,533 A	4/1978	Boyer	
4,292,913 A	10/1981	Siebert et al.	
D290,950 S	7/1987	Strickland	
4,724,792 A	2/1988	Cochran	
4,898,111 A	2/1990	Hackney	
4,903,629 A	2/1990	Maudlin et al.	
4,966,092 A	10/1990	Illingworth	
4,991,640 A	2/1991	Verkindt et al.	
D324,146 S	2/1992	Crowe	
D324,368 S *	3/1992	Zirkelbach et al.	D12/317
5,215,032 A	6/1993	Ellis et al.	
5,331,915 A	7/1994	Snyder	
5,343,824 A	9/1994	Floyd	
5,598,805 A	2/1997	Obrinski	
5,730,077 A	3/1998	Nunes et al.	
5,970,904 A	10/1999	Wellen et al.	

5,988,094 A	11/1999	Obrinski	
6,041,729 A	3/2000	Alan	
6,089,179 A	7/2000	Pestel et al.	
6,202,585 B1	3/2001	Alan	
D471,083 S *	3/2003	Wall	D8/382
D479,798 S *	9/2003	Wall	D8/382
D479,983 S *	9/2003	Wall	D8/382
D486,728 S *	2/2004	Malin	D8/396
6,863,009 B1	3/2005	Driver	
6,895,887 B2	5/2005	Raiter	
D505,909 S *	6/2005	Erskine et al.	D12/317
7,004,100 B1	2/2006	Rard et al.	
7,051,667 B2	5/2006	Scotti	
D526,888 S *	8/2006	Heindl	D8/382
D527,619 S *	9/2006	Heindl et al.	D8/382
D530,190 S *	10/2006	Wall	D8/382
2004/0104315 A1 *	6/2004	Betz	248/74.2

* cited by examiner

Primary Examiner—Holly H. Baynham

Assistant Examiner—Cynthia M. Chin

(74) *Attorney, Agent, or Firm*—Womble Carlyle Sandridge & Rice, PLLC

(57) **CLAIM**

The ornamental design for a watercraft mounting strip assembly end, as shown and described.

DESCRIPTION

FIG. 1 is a perspective view of a watercraft mounting strip assembly end showing our new design;

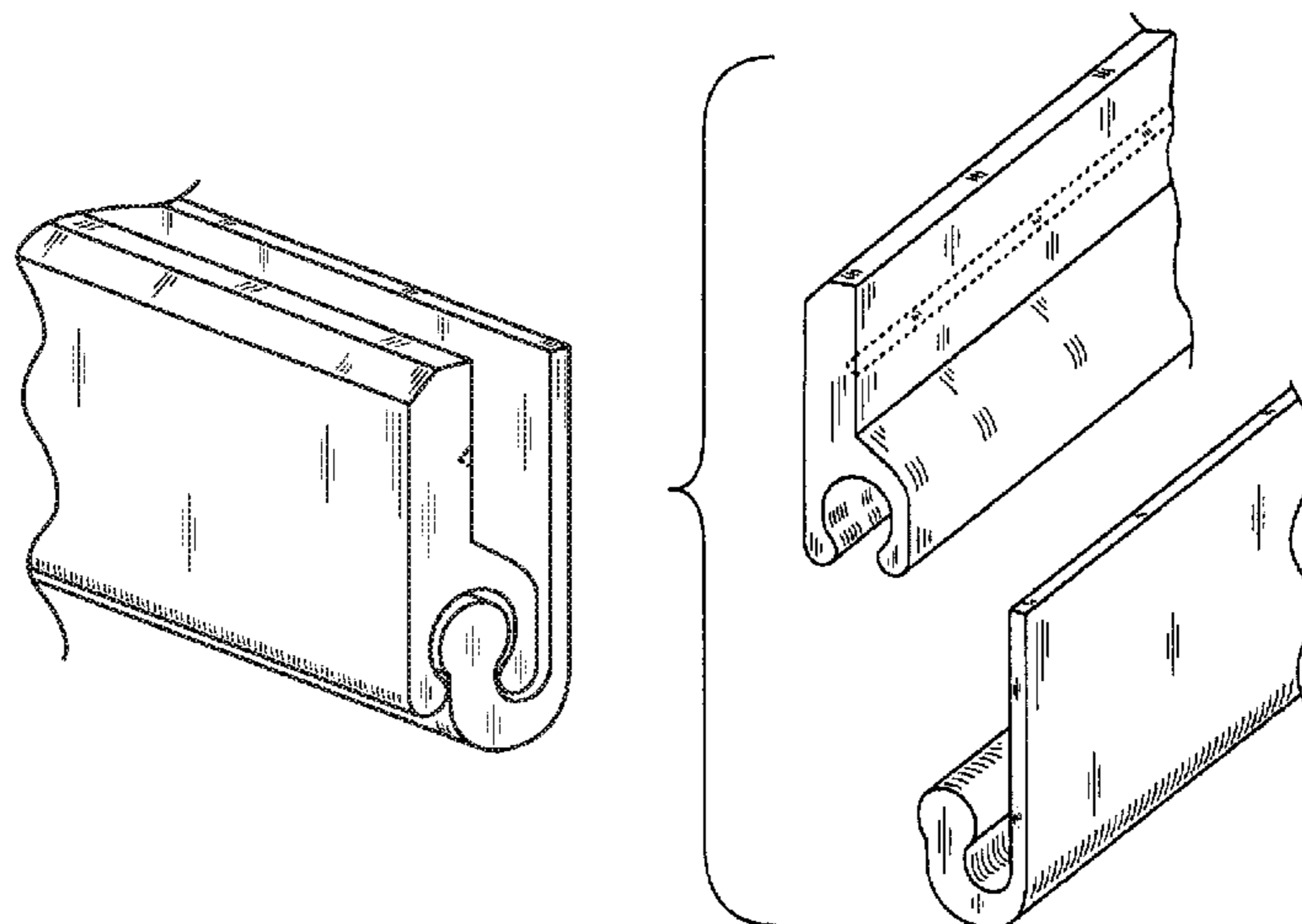
FIG. 2 is an end elevation view thereof;

FIG. 3 is an exploded rear perspective view thereof; and,

FIG. 4 is an exploded front perspective view thereof.

The views of the watercraft mounting strip assembly end not shown form no part of the claimed design. The broken lines depicting a longitudinal V-groove represent environmental elements only, and form no part of the claimed design.

1 Claim, 2 Drawing Sheets



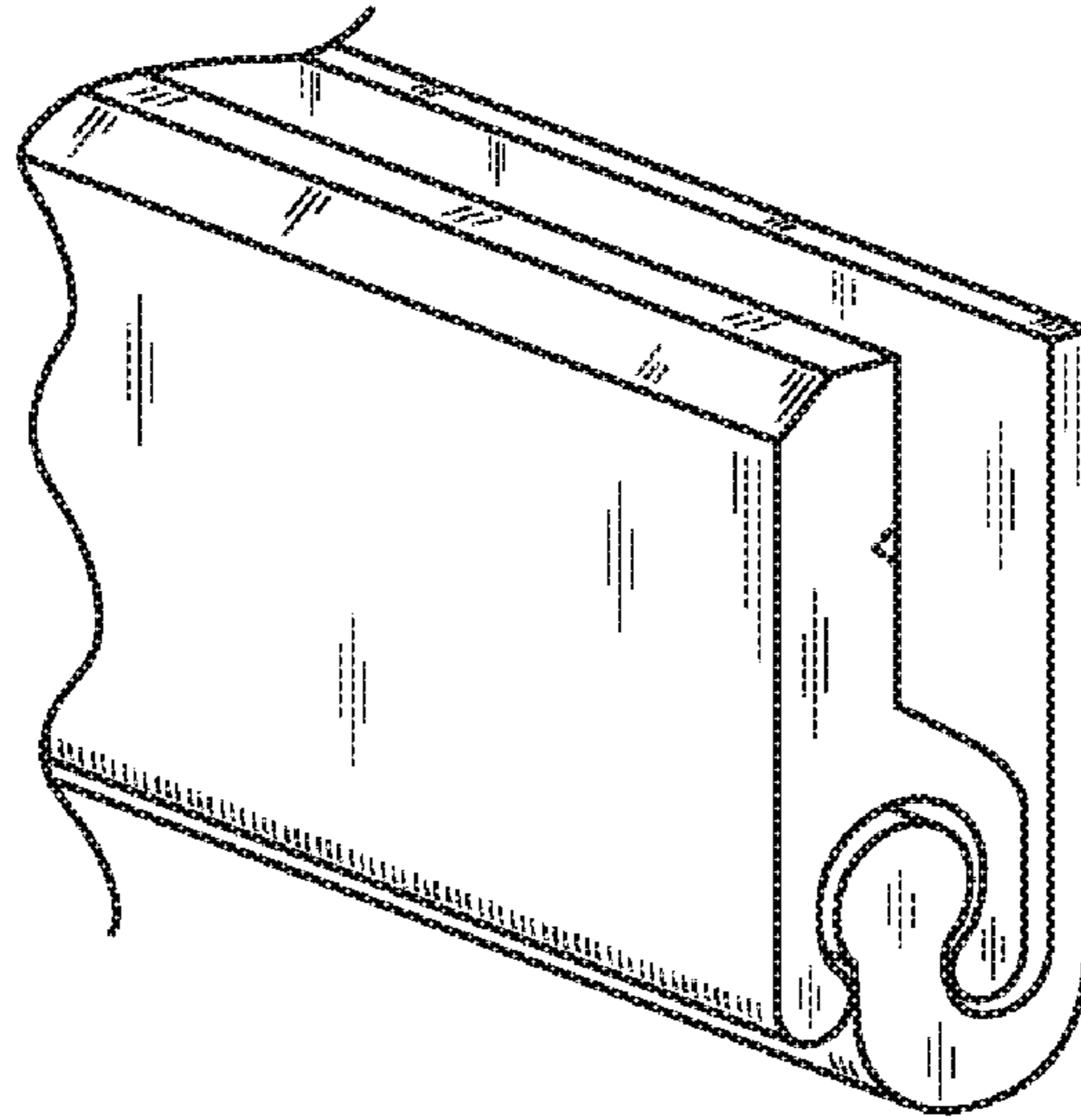


Fig. 1

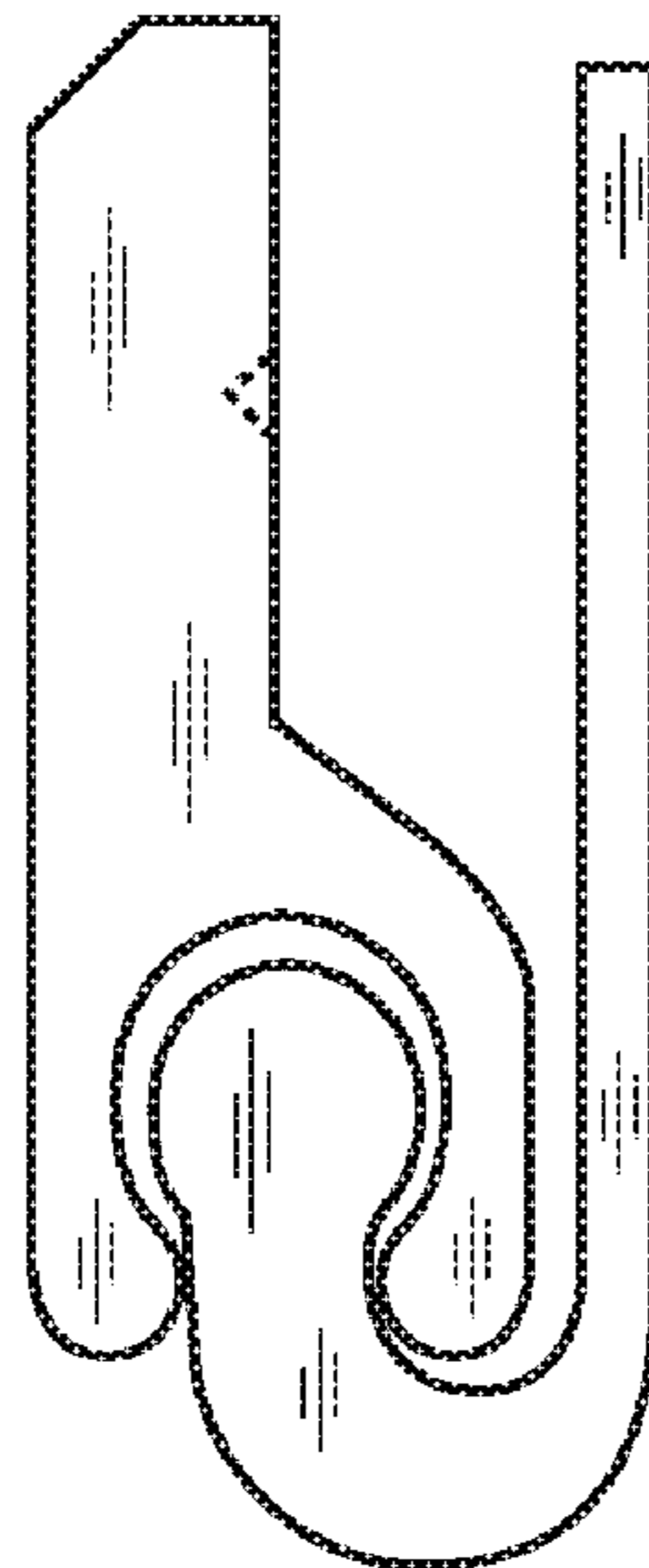


Fig. 2

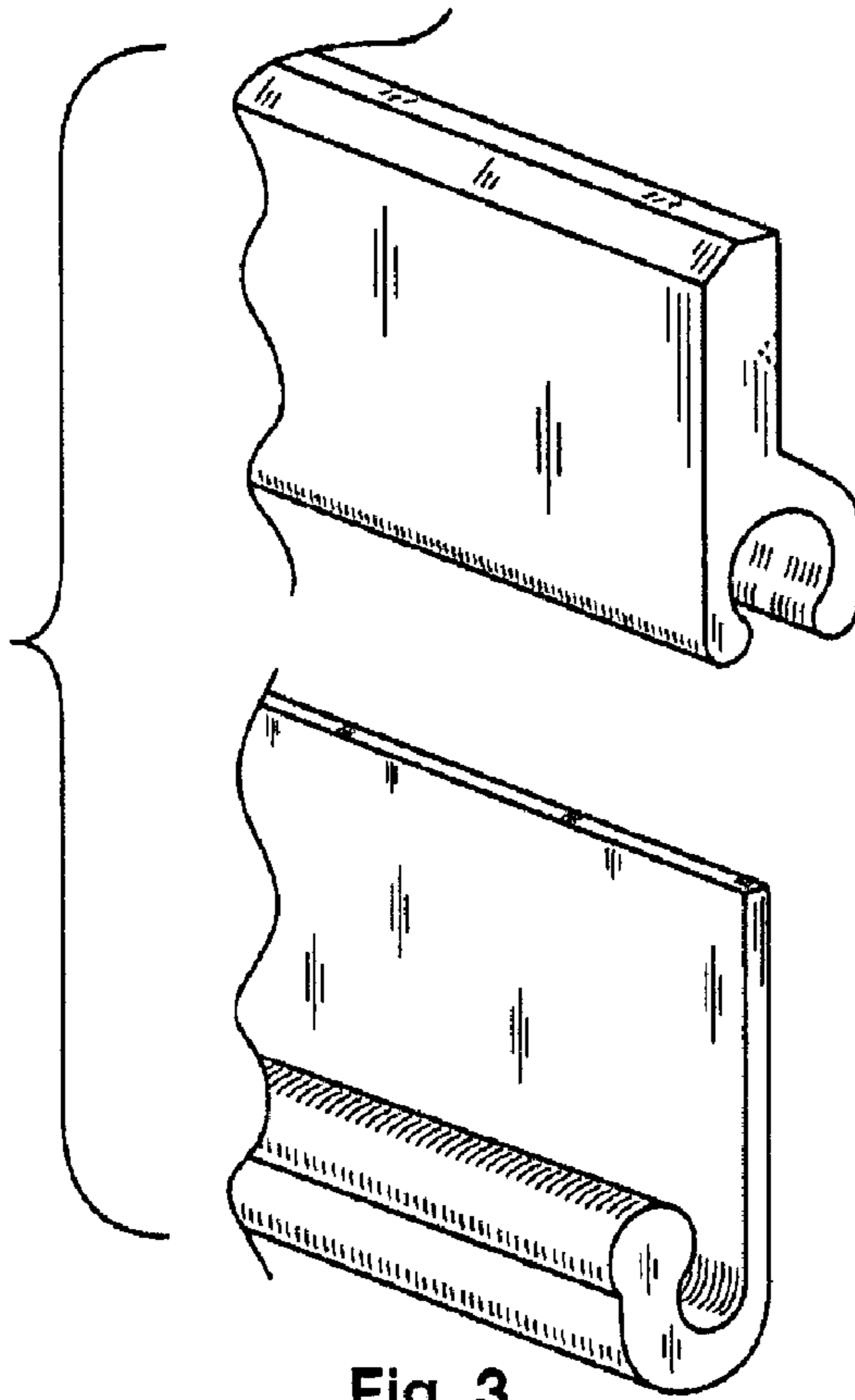


Fig. 3

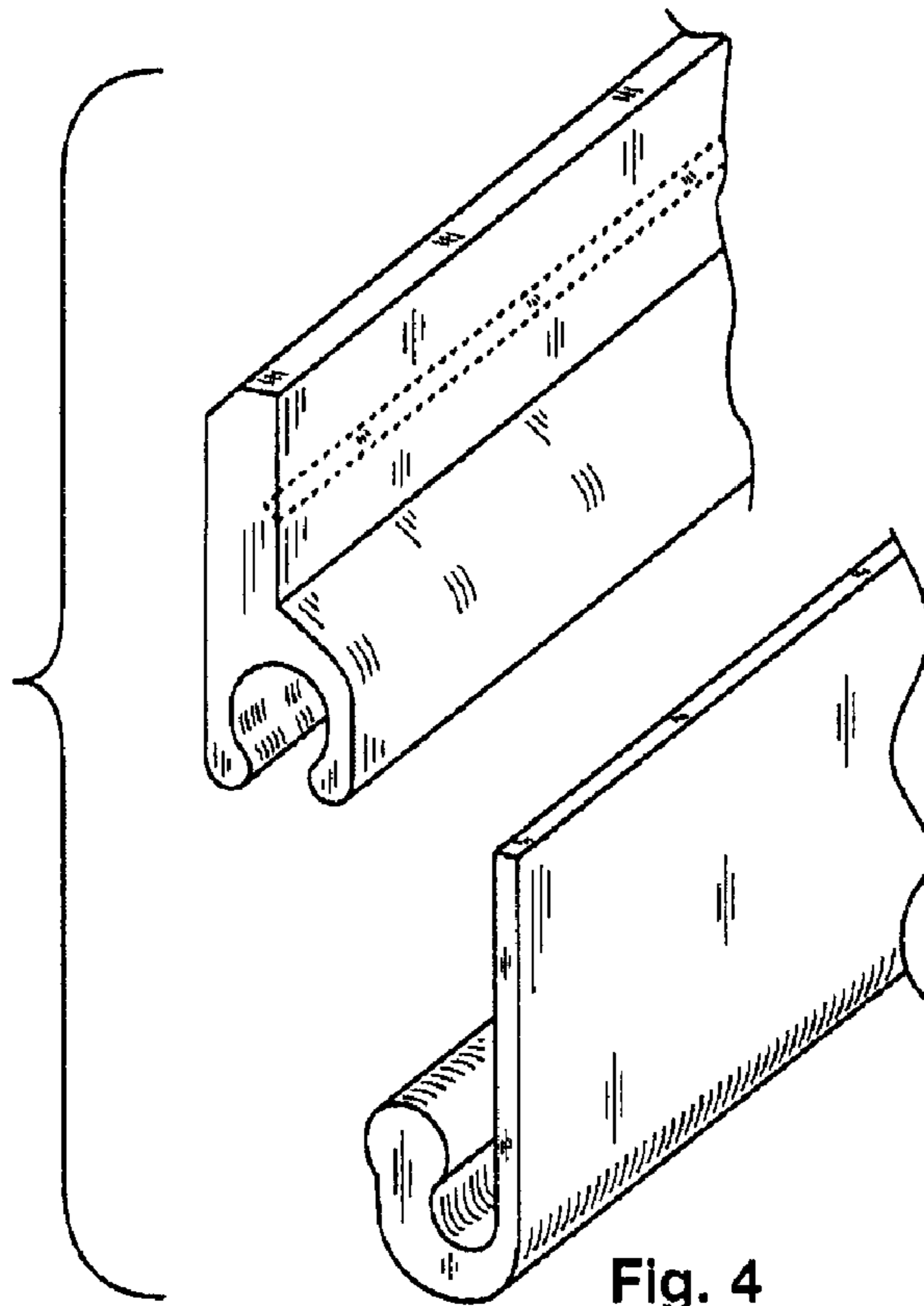


Fig. 4