



US00D550602S

(12) **United States Design Patent**
Shimokawa et al.

(10) **Patent No.:** **US D550,602 S**

(45) **Date of Patent:** **** Sep. 11, 2007**

(54) **WHEEL FOR A MOTORCYCLE**

(75) Inventors: **Hiroshi Shimokawa**, Tokyo (JP);
Takuya Nakamura, Tokyo (JP)

(73) Assignee: **Yamaha Hatsudoki Kabushiki Kaisha**
(JP)

(**) Term: **14 Years**

(21) Appl. No.: **29/276,966**

(22) Filed: **Feb. 9, 2007**

(51) **LOC (8) Cl.** **12-16**

(52) **U.S. Cl.** **D12/209**

(58) **Field of Classification Search** D12/204-213;
301/37.101, 64.101, 65
See application file for complete search history.

(56) **References Cited**

U.S. PATENT DOCUMENTS

D276,717 S *	12/1984	Ogishima et al.	D12/211
D372,696 S *	8/1996	Tung	D12/209
D389,101 S *	1/1998	Julien	D12/211
D397,663 S *	9/1998	Chrysanto	D12/209

D458,888 S *	6/2002	Stolz et al.	D12/209
D490,355 S *	5/2004	Francis	D12/209
D494,522 S *	8/2004	Rivers et al.	D12/209
D510,308 S *	10/2005	Takechi	D12/209

* cited by examiner

Primary Examiner—Stacia Cadmus

(74) *Attorney, Agent, or Firm*—Ostrolenk, Faber, Gerb & Soffen, LLP

(57) **CLAIM**

The ornamental design for a wheel for a motorcycle, as shown.

DESCRIPTION

FIG. 1 is a front perspective view of a wheel for a motorcycle showing our new design;

FIG. 2 is a rear perspective view thereof;

FIG. 3 is a side view thereof;

FIG. 4 is a front side view thereof; and,

FIG. 5 is a rear view thereof.

1 Claim, 3 Drawing Sheets

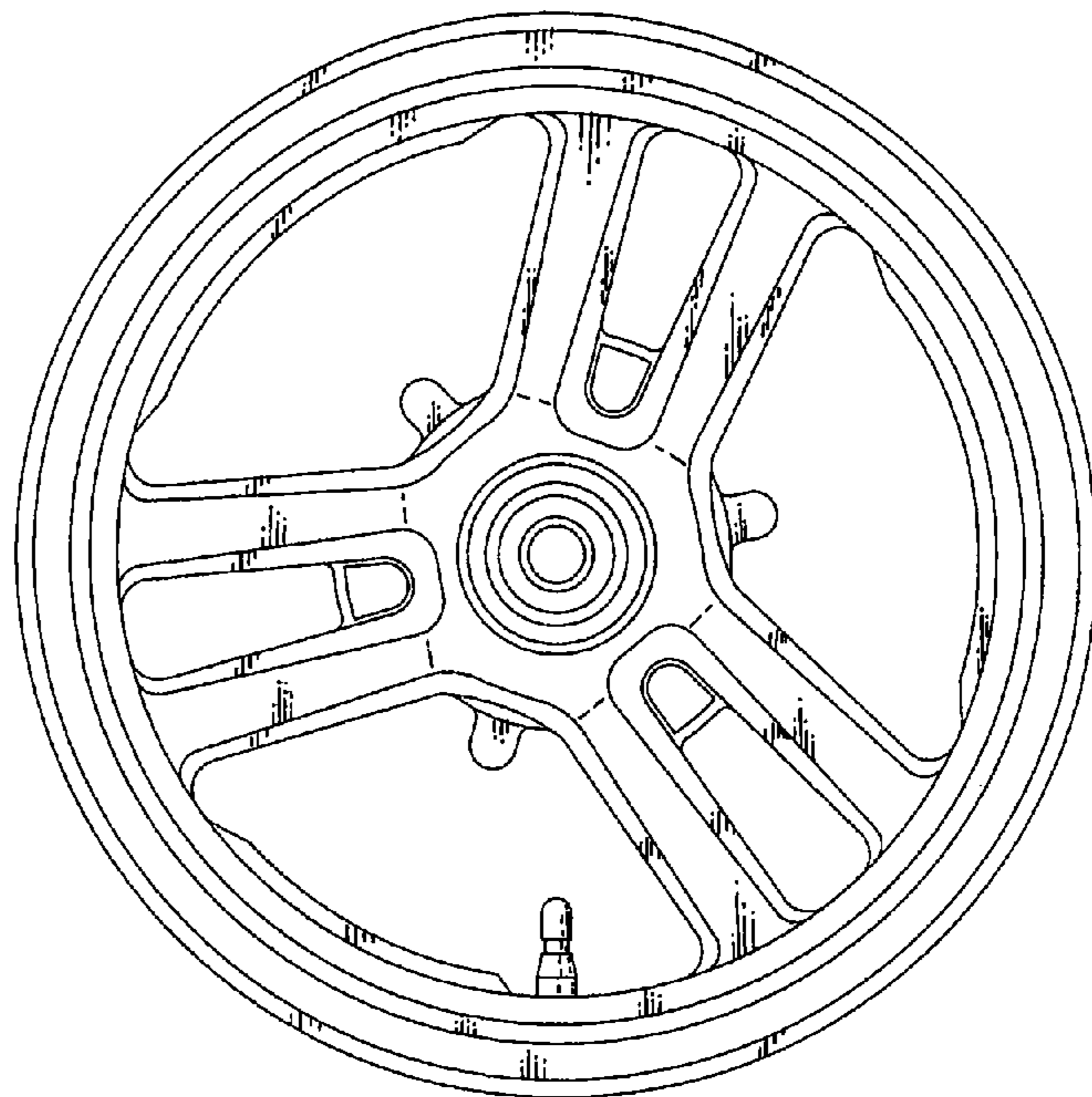
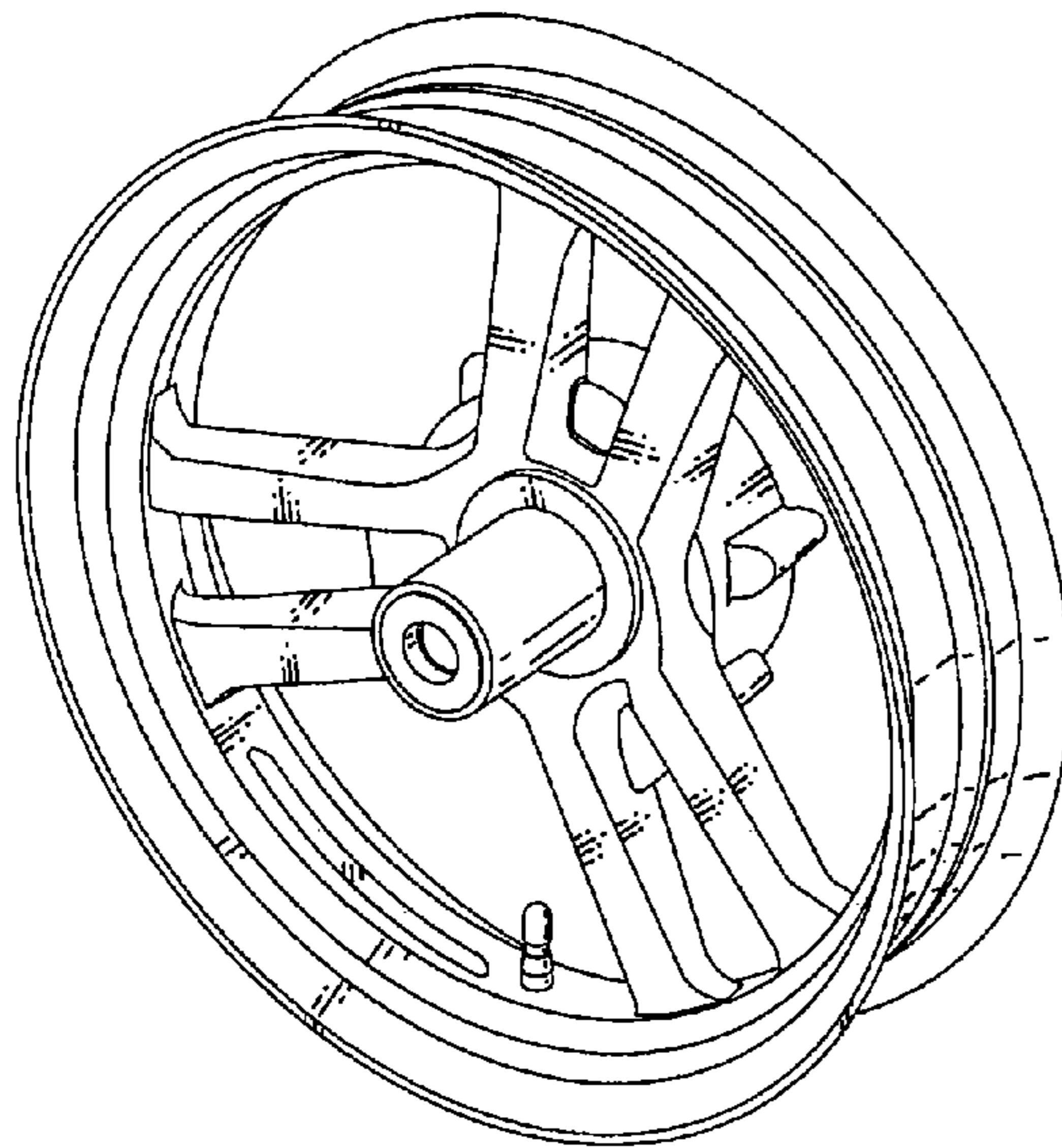


FIG. 1

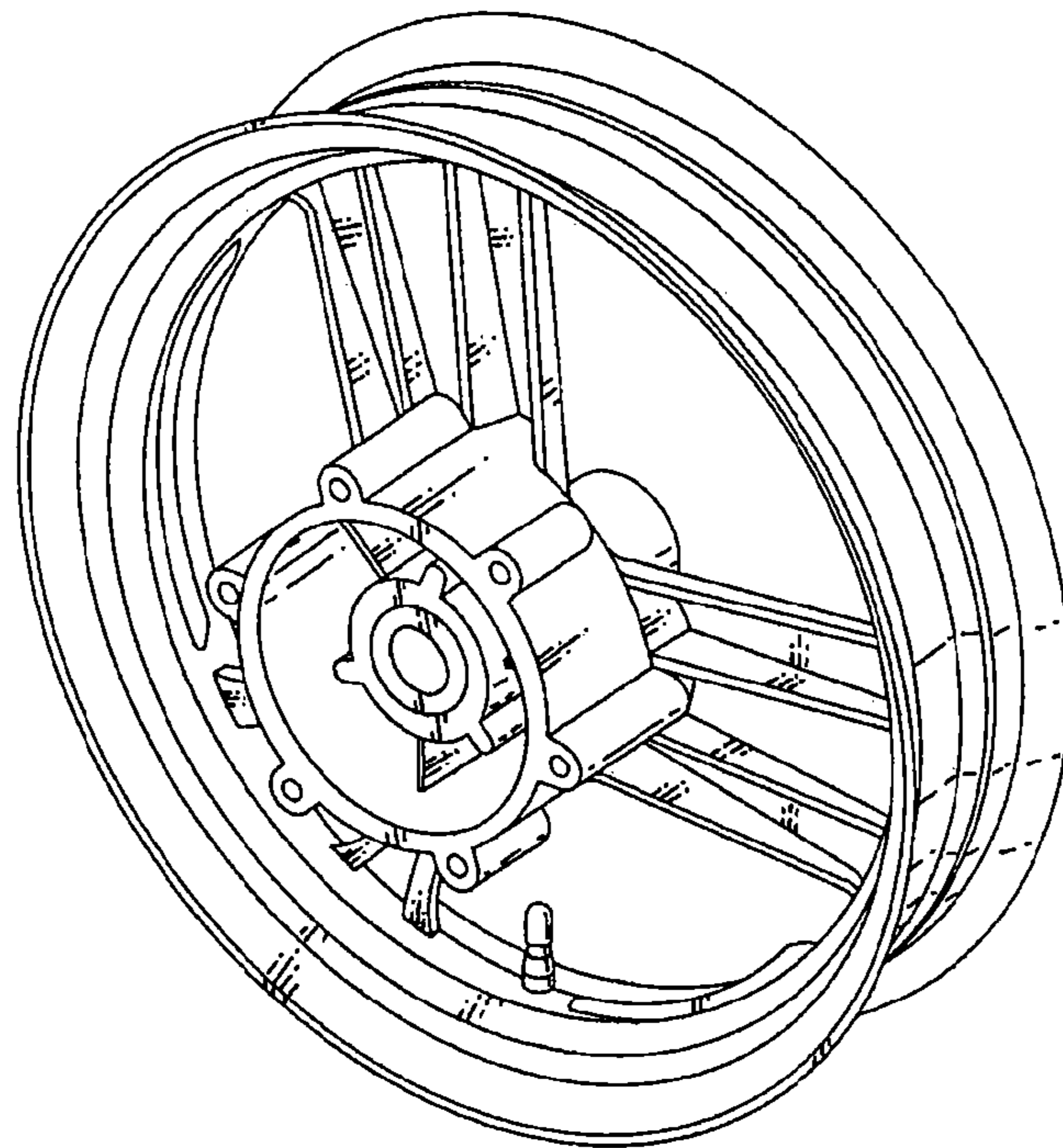
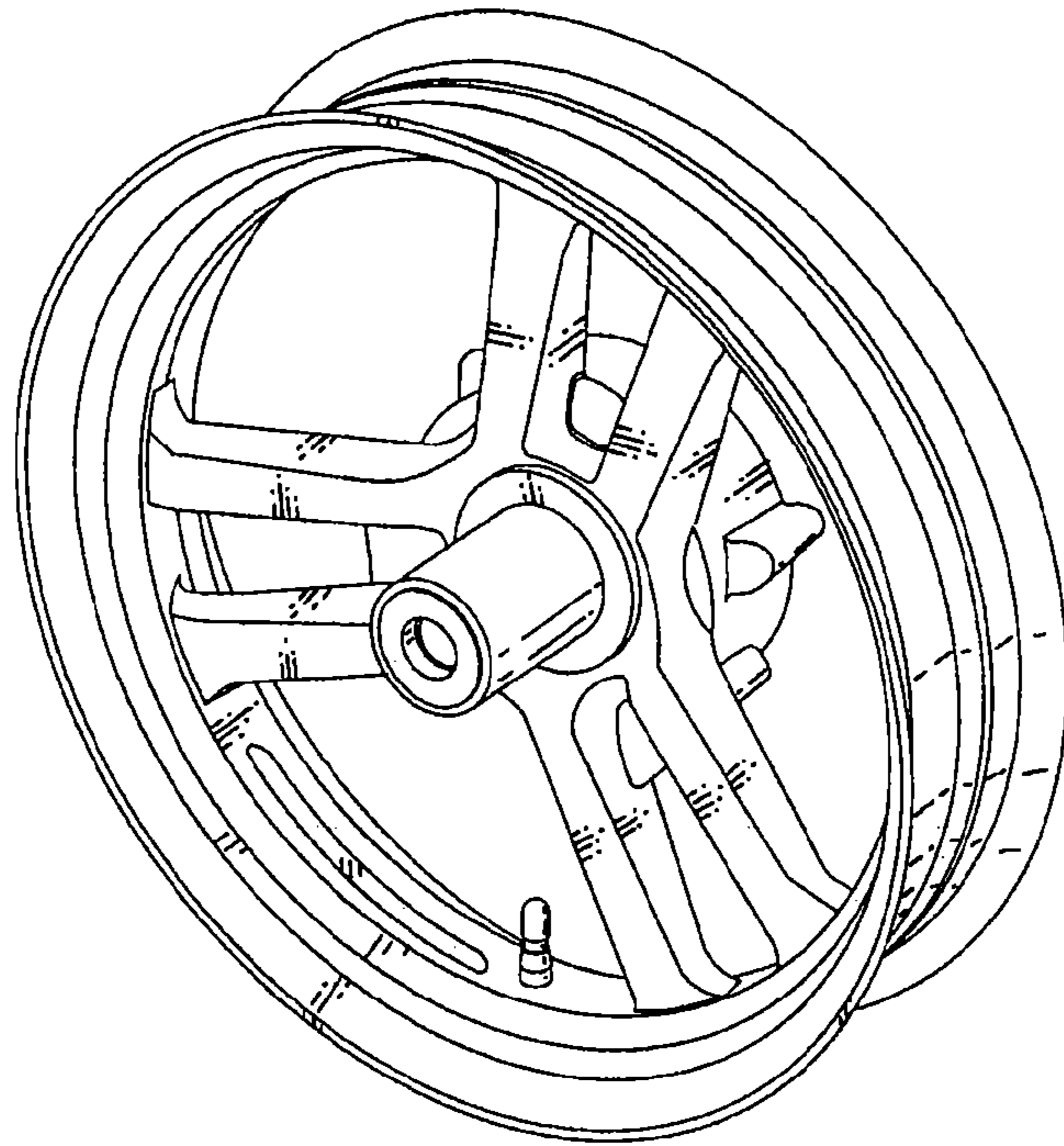


FIG. 2

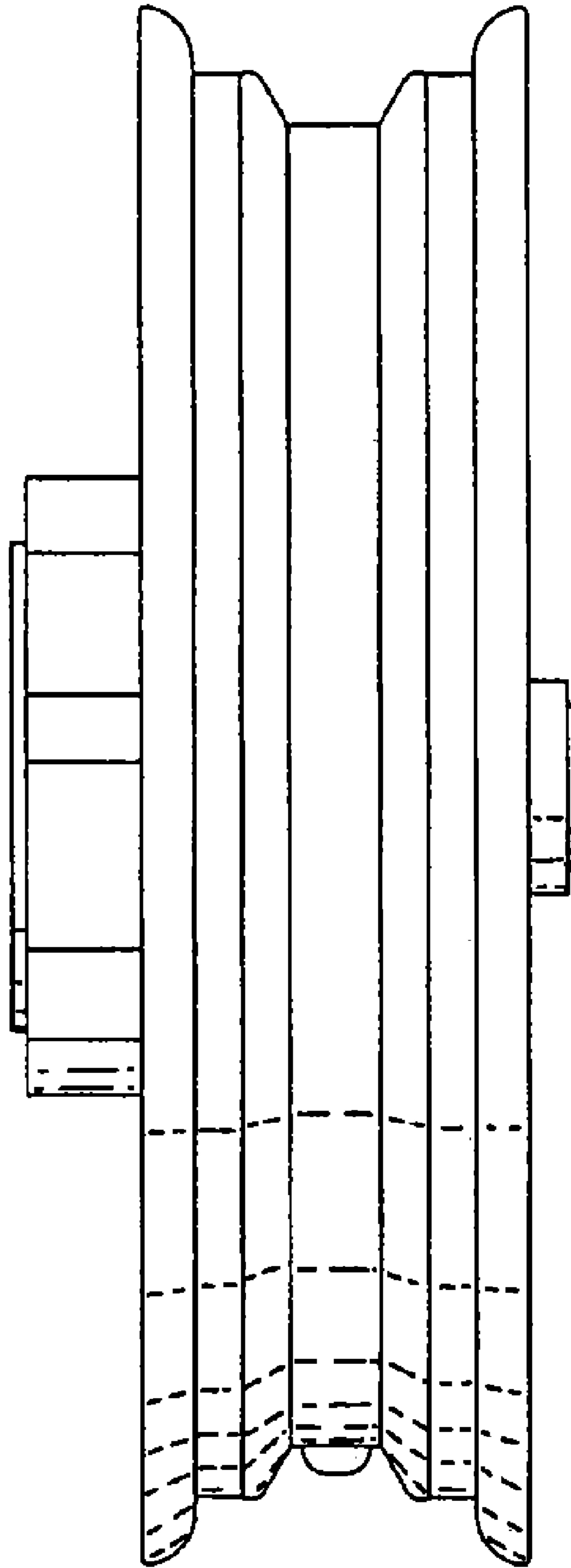


FIG. 3

FIG. 4

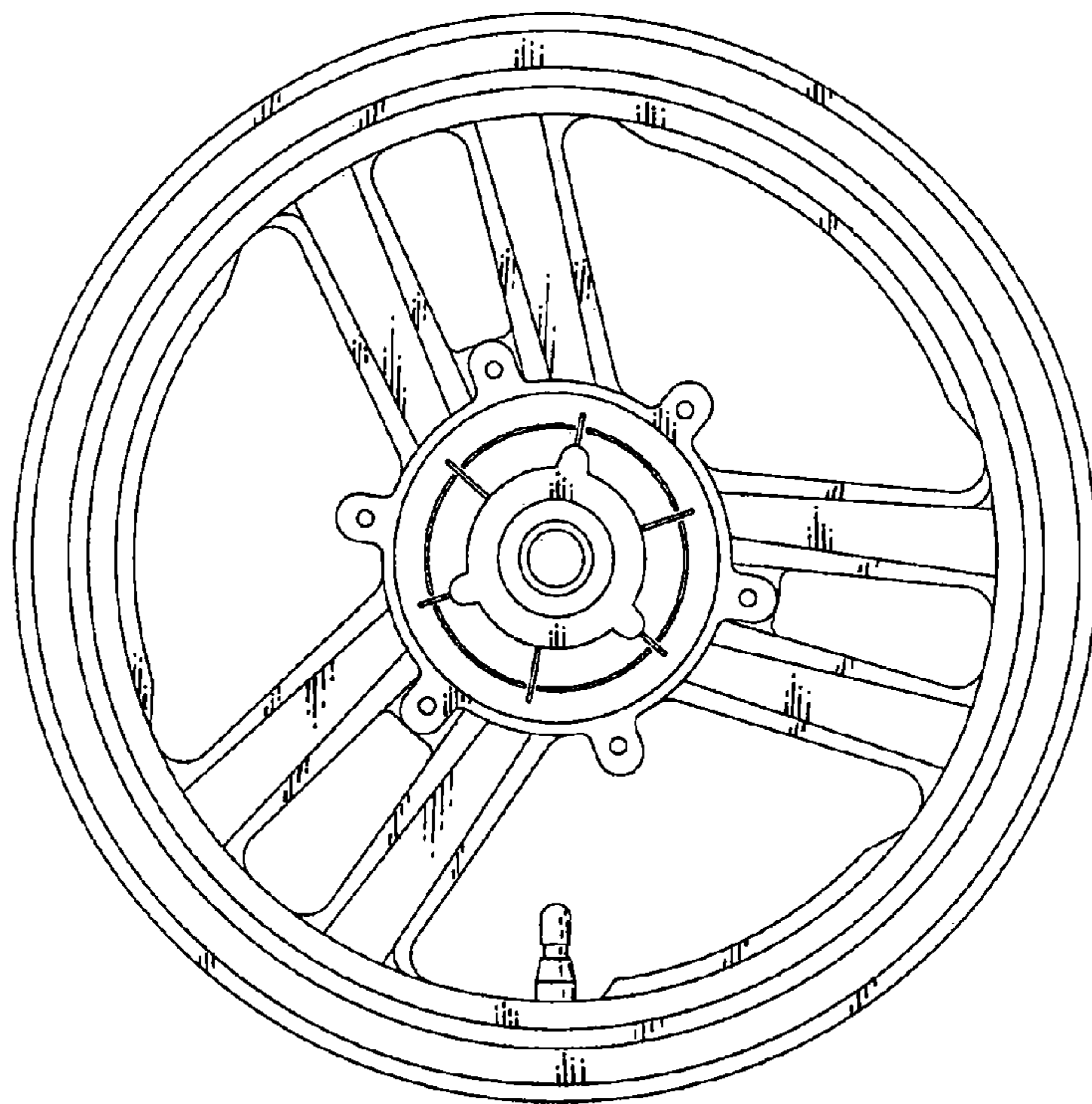
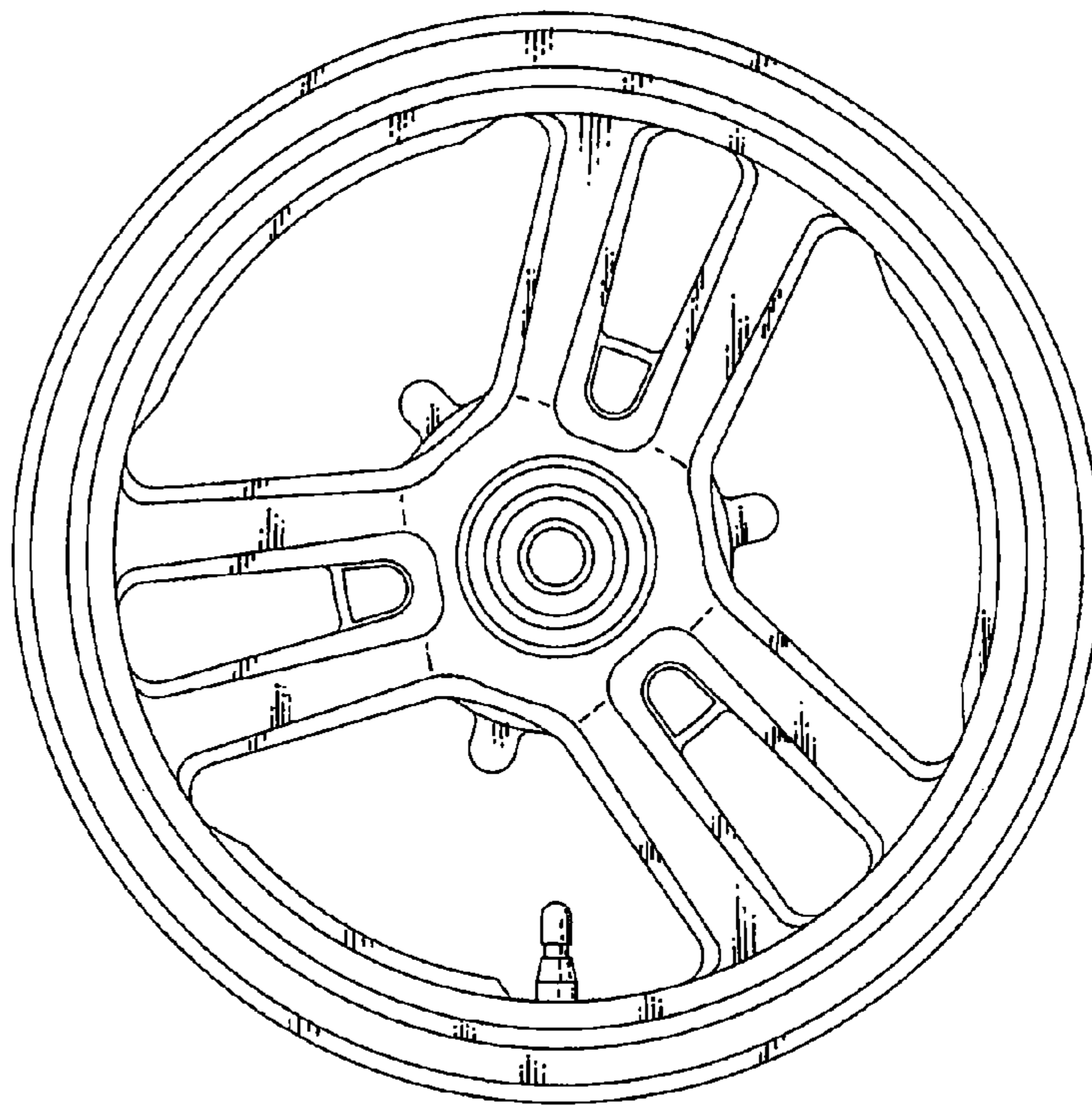


FIG. 5