



US00D550601S

(12) **United States Design Patent**
Welch

(10) **Patent No.:** **US D550,601 S**

(45) **Date of Patent:** **** Sep. 11, 2007**

(54) **MOTORCYCLE WHEEL**

(76) **Inventor:** **Daniel P. Welch**, 8201 Plaza La., Des Moines, IA (US) 50320

(**) **Term:** **14 Years**

(21) **Appl. No.:** **29/273,215**

(22) **Filed:** **Feb. 28, 2007**

(51) **LOC (8) Cl.** **12-16**

(52) **U.S. Cl.** **D12/209**

(58) **Field of Classification Search** D12/204-213;
301/37.101, 64.101, 65

See application file for complete search history.

(56) **References Cited**

U.S. PATENT DOCUMENTS

D372,696 S *	8/1996	Tung	D12/209
D445,389 S *	7/2001	Stach	D12/209
D497,135 S *	10/2004	Anderson et al.	D12/209
D497,138 S *	10/2004	Anderson et al.	D12/209
D519,431 S *	4/2006	Francis	D12/209

D522,437 S *	6/2006	Long	D12/209
D522,948 S *	6/2006	Long	D12/209
D524,710 S *	7/2006	Long	D12/209
D535,602 S *	1/2007	Ballentine	D12/209
D539,719 S *	4/2007	Aoki	D12/209

* cited by examiner

Primary Examiner—Stacia Cadmus

(74) *Attorney, Agent, or Firm*—Kent A. Herink; Emily E. Harris

(57) **CLAIM**

The ornamental design for a motorcycle wheel, as shown and described.

DESCRIPTION

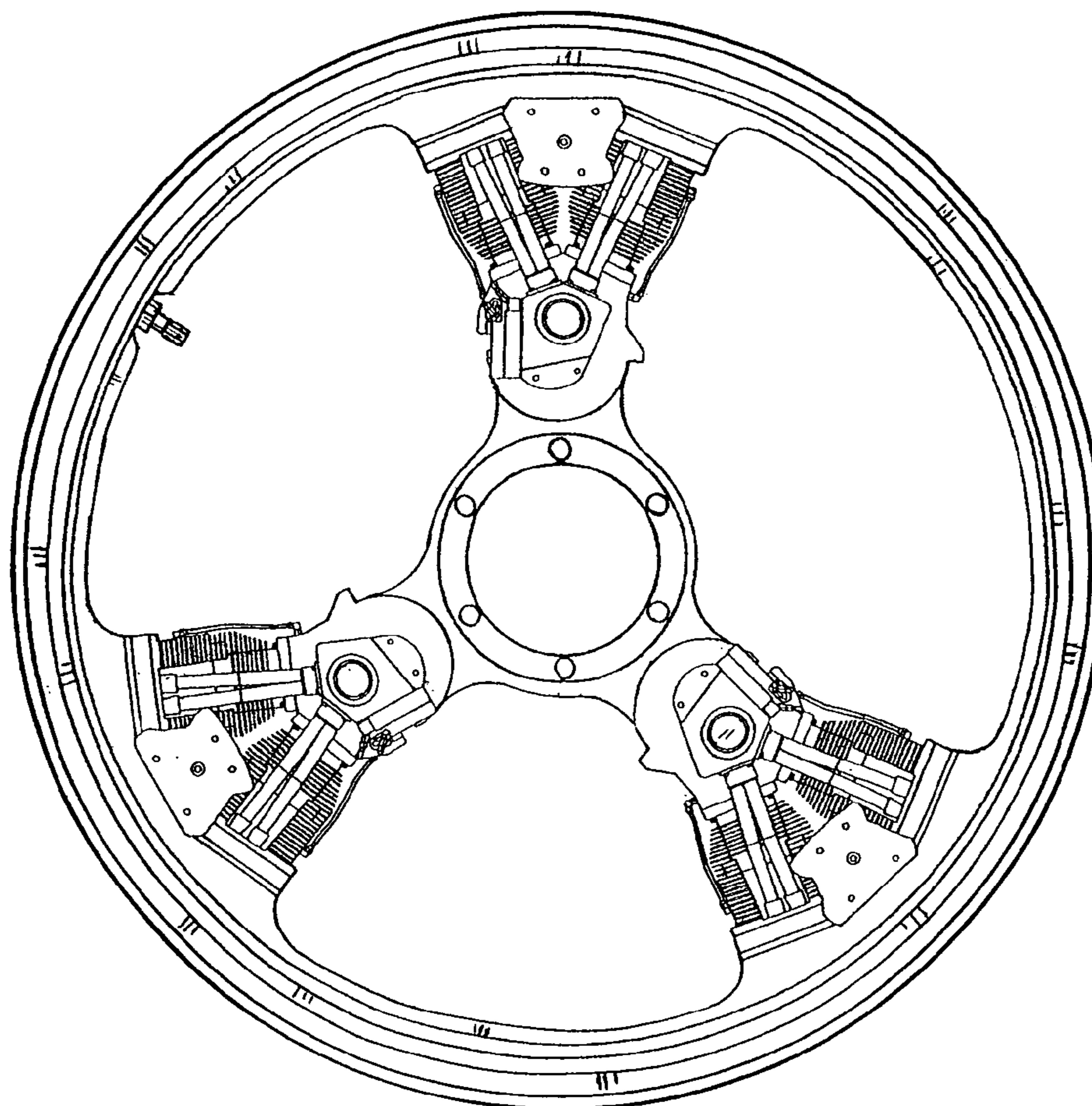
FIG. 1 is an upper perspective view of the motorcycle wheel.

FIG. 2 is a first side view of the motorcycle wheel.

FIG. 3 is a second side view of the motorcycle wheel; and,

FIG. 4 is a top view of the motorcycle wheel.

1 Claim, 2 Drawing Sheets



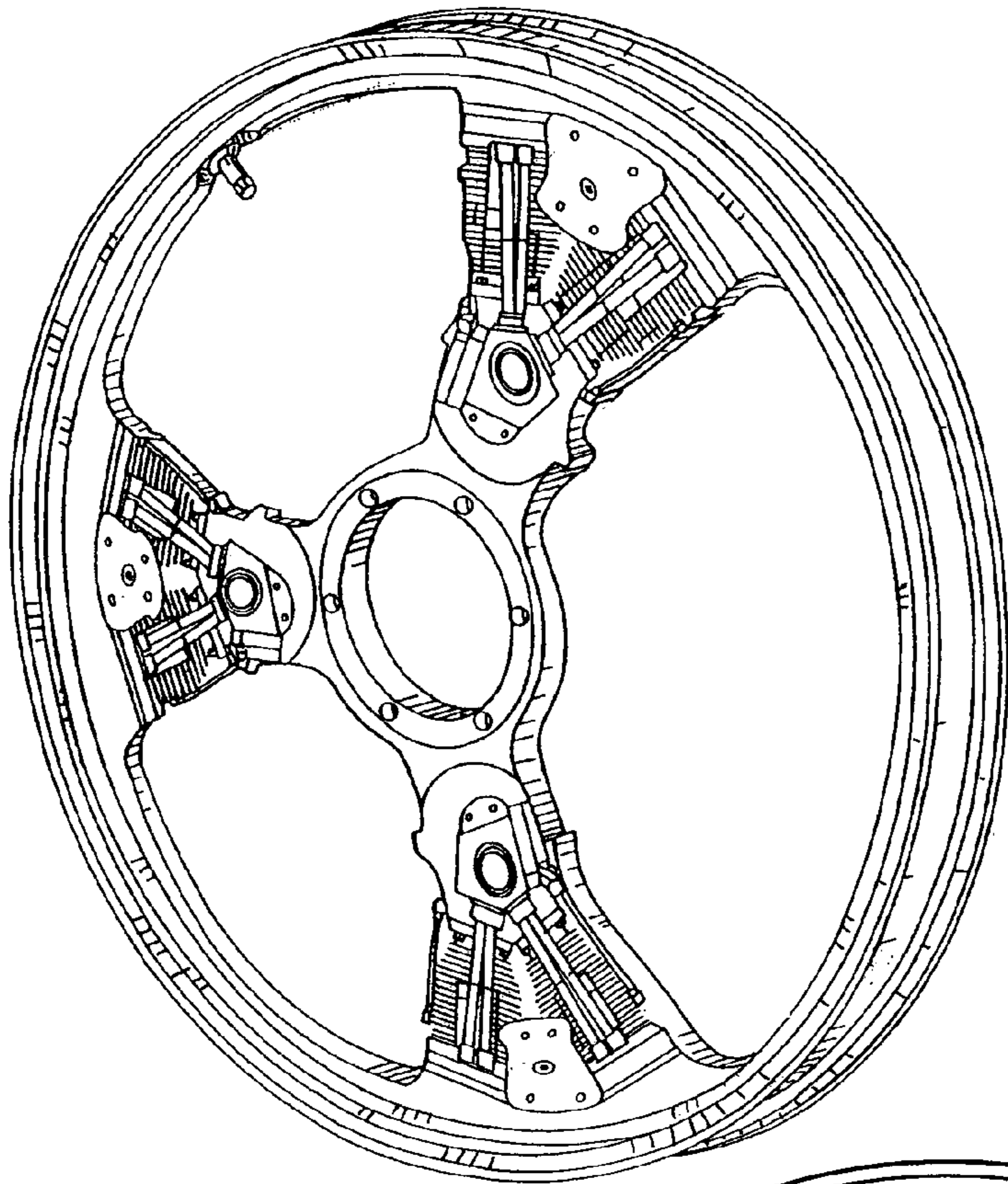


Fig. 1

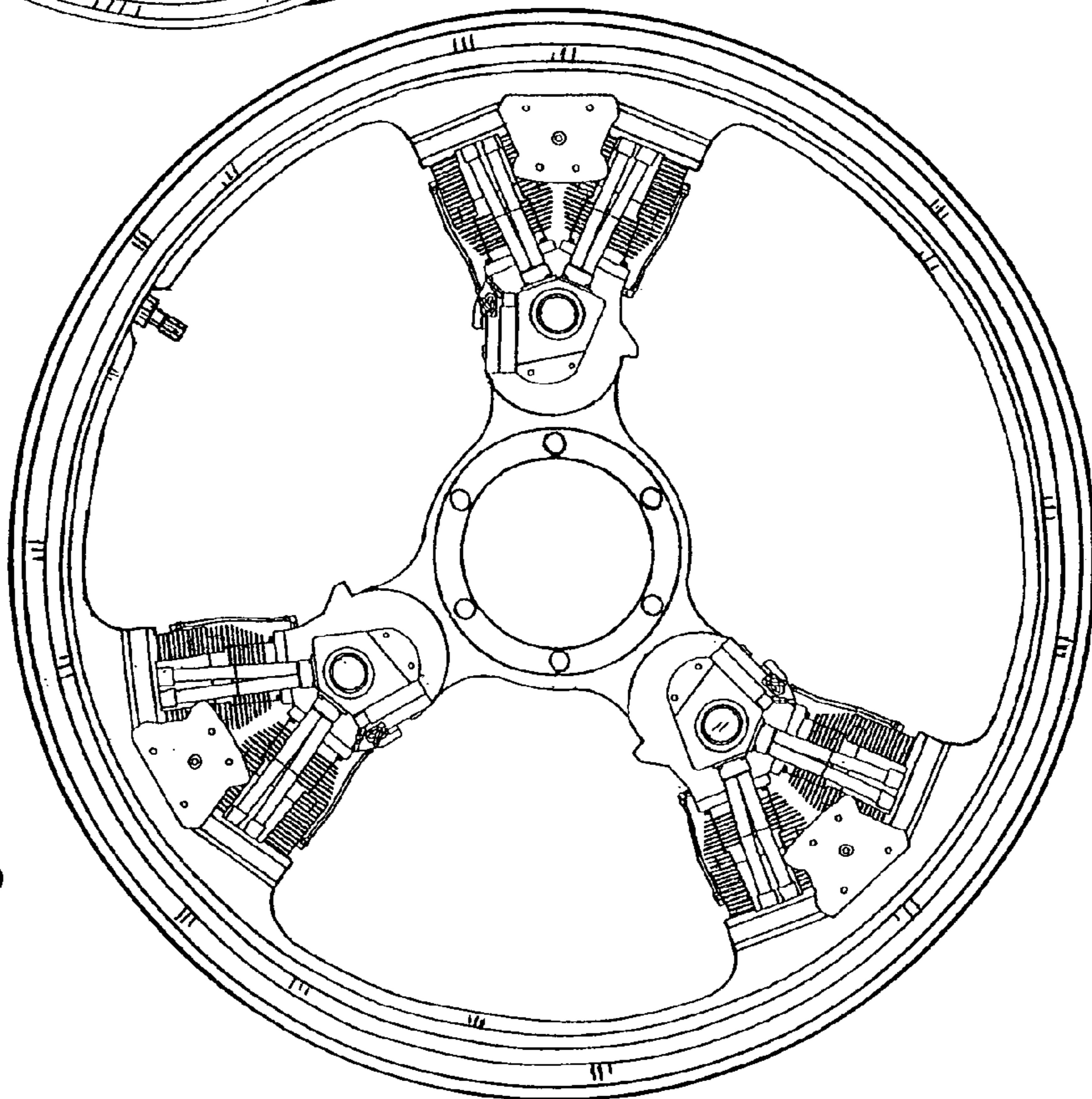


Fig. 2

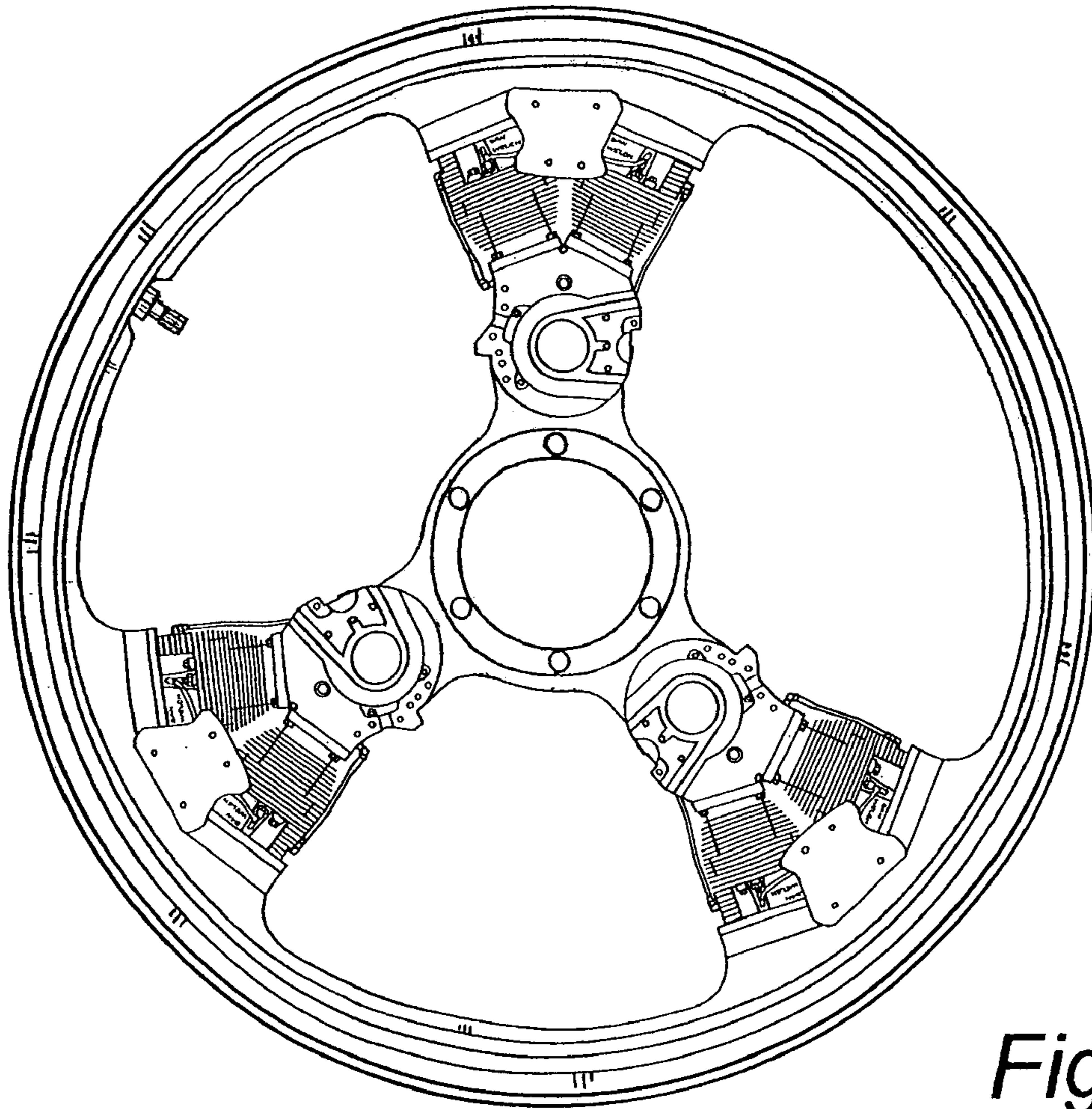


Fig. 3

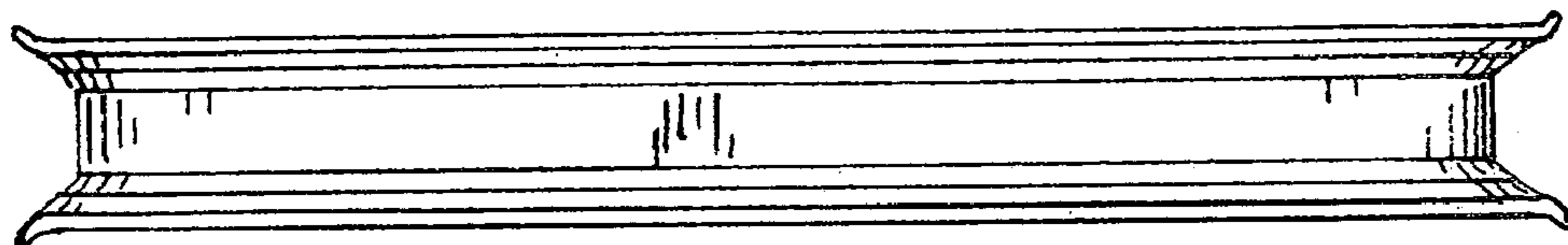


Fig. 4