



US00D550598S

(12) **United States Design Patent**
Schaefers

(10) **Patent No.:** **US D550,598 S**

(45) **Date of Patent:** **** Sep. 11, 2007**

(54) **FRONT FACE OF A VEHICLE WHEEL**

(75) Inventor: **Hendrik Schaefer**, Munich (DE)

(73) Assignee: **Bayerische Motoren Werke
Aktiengesellschaft**, Munich (DE)

(**) Term: **14 Years**

(21) Appl. No.: **29/270,305**

(22) Filed: **Dec. 21, 2006**

(30) **Foreign Application Priority Data**

Jun. 22, 2006 (DE) 4 06 03 373

(51) **LOC (8) Cl.** **12-16**

(52) **U.S. Cl.** **D12/209**

(58) **Field of Classification Search** D12/204-213;
301/37.101, 64.101, 65
See application file for complete search history.

(56) **References Cited**

U.S. PATENT DOCUMENTS

- D359,938 S * 7/1995 Chien D12/209
- D373,562 S * 9/1996 Cole D12/211
- D388,045 S * 12/1997 Sakagami et al. D12/209
- D408,774 S * 4/1999 Nishida D12/209

- D432,970 S * 10/2000 Pfeiffer et al. D12/209
- D436,569 S * 1/2001 Brown et al. D12/209
- D460,728 S * 7/2002 Clarke D12/209
- D498,196 S * 11/2004 Johnson D12/211
- D504,383 S * 4/2005 Pfeiffer D12/211
- D506,718 S * 6/2005 Szavits D12/209
- D511,488 S * 11/2005 Hou et al. D12/209
- D513,219 S * 12/2005 Sinkwitz D12/209
- D519,072 S * 4/2006 Komuro D12/209
- D520,934 S * 5/2006 Szavits D12/211
- D523,798 S * 6/2006 Szavits D12/209
- D534,112 S * 12/2006 Holstein D12/209
- D534,114 S * 12/2006 Holstein D12/211

* cited by examiner

Primary Examiner—Stacia Cadmus

(74) *Attorney, Agent, or Firm*—Crowell & Moring LLP

(57) **CLAIM**

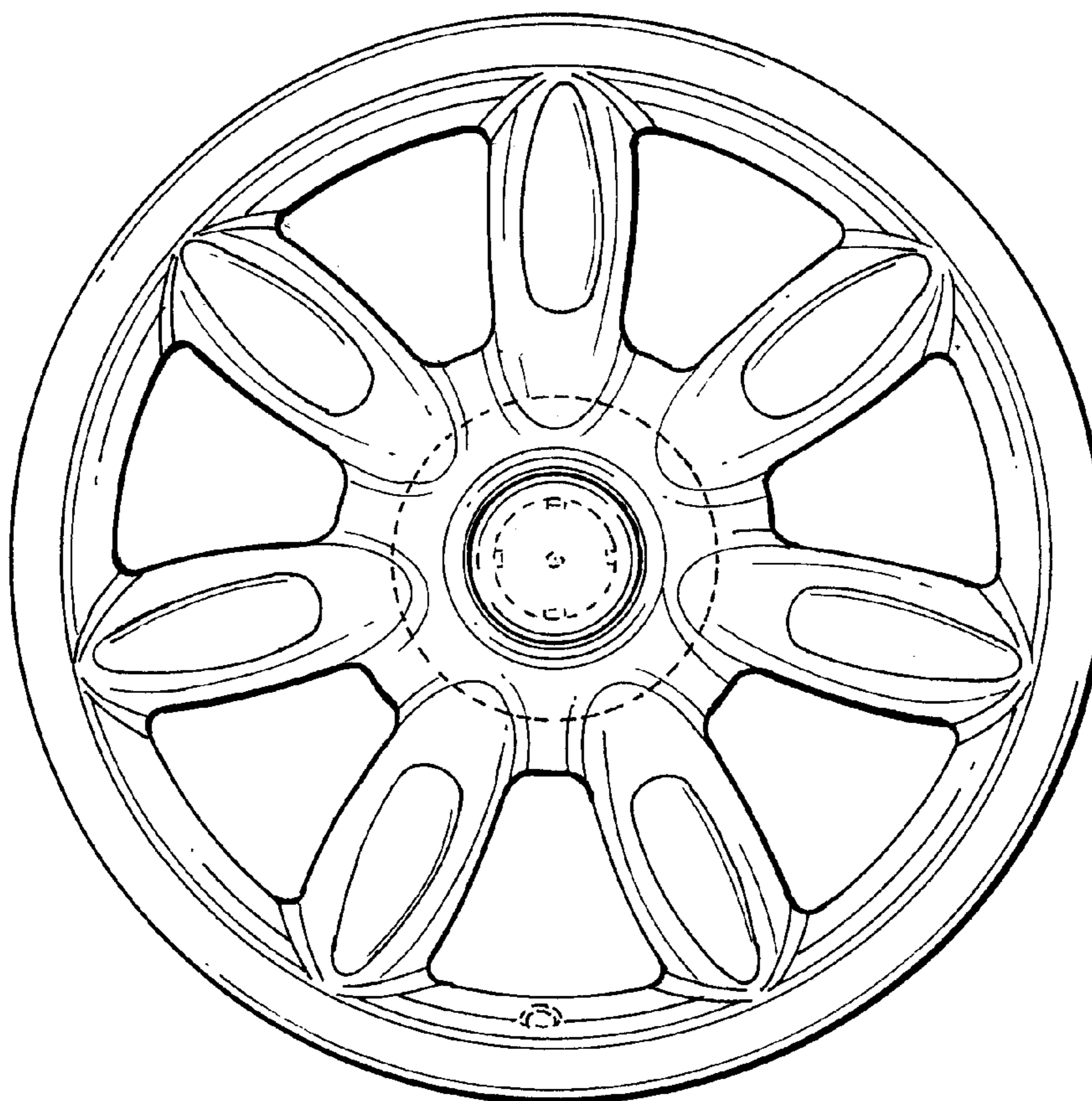
The ornamental design for a front face of a vehicle wheel,
as shown and described.

DESCRIPTION

FIG. 1 is a front view of a front face of a vehicle wheel
according to my novel design; and,

FIG. 2 is a perspective view thereof.

1 Claim, 1 Drawing Sheet



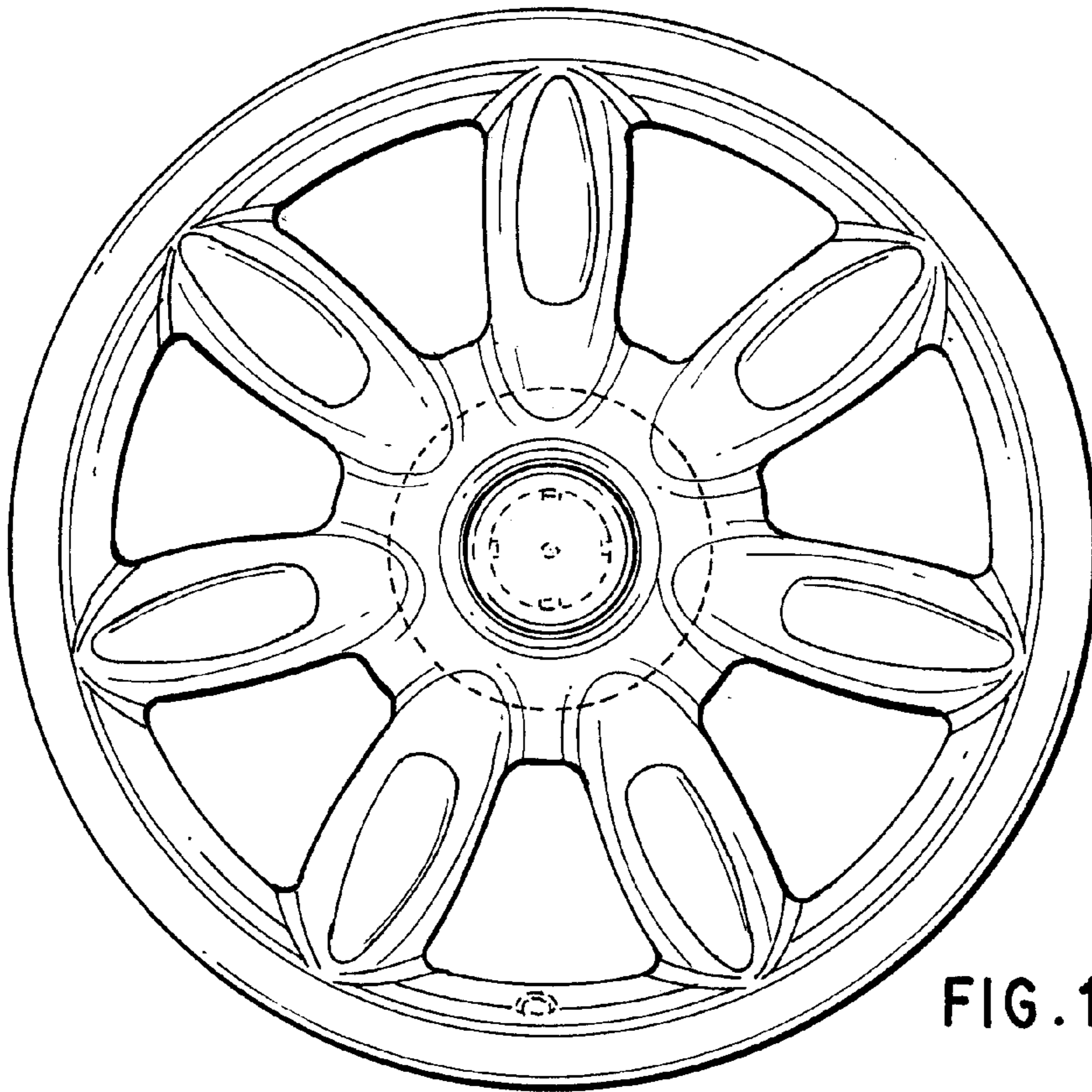


FIG. 1

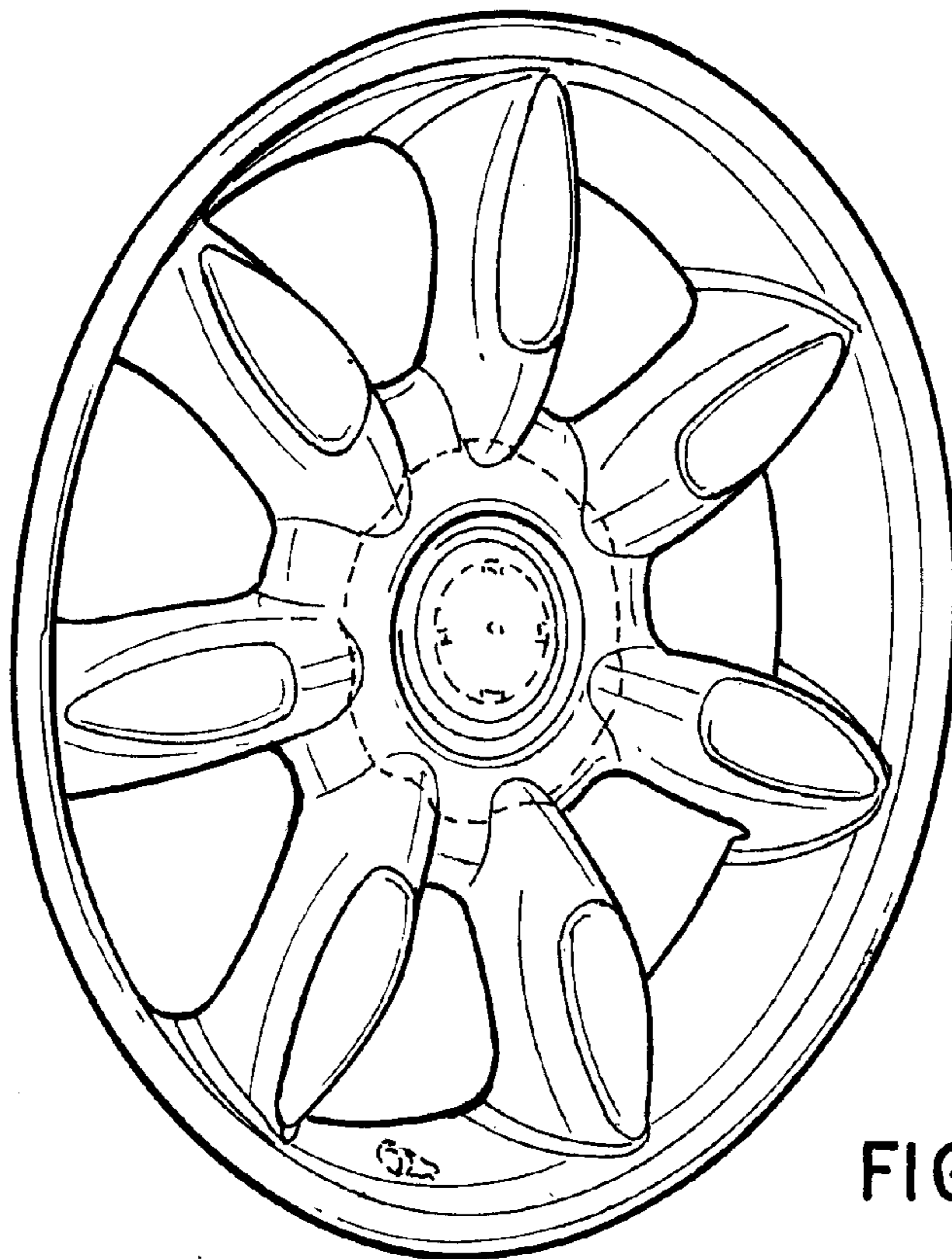


FIG. 2