



US00D550592S

(12) **United States Design Patent**  
**Wu**

(10) **Patent No.:** **US D550,592 S**

(45) **Date of Patent:** **\*\* Sep. 11, 2007**

(54) **CONTROLLING CONTAINER FOR A  
STREAMLINE ELECTRIC BICYCLE**

(76) Inventor: **Donald P. H. Wu**, No. 108, Hsin-He  
Road, Hsin-Feng Hsiang, Hsinchu  
County (TW)

(\*\*) Term: **14 Years**

(21) Appl. No.: **29/245,910**

(22) Filed: **Dec. 29, 2005**

(51) **LOC (8) Cl.** ..... **12-11**

(52) **U.S. Cl.** ..... **D12/114**

(58) **Field of Classification Search** ..... D12/110,  
D12/111, 114, 126; 180/65.1, 65.2, 205-207,  
180/219, 230, 231, 220, 68.5  
See application file for complete search history.

(56) **References Cited**

**U.S. PATENT DOCUMENTS**

D245,412 S *	8/1977	Ray	.....	D12/126
D485,789 S *	1/2004	Lai	.....	D12/111
2002/0027026 A1 *	3/2002	Hong	.....	180/65.2

\* cited by examiner

*Primary Examiner*—Alan P. Douglas  
*Assistant Examiner*—Linda Brooks  
(74) *Attorney, Agent, or Firm*—Banger Shia

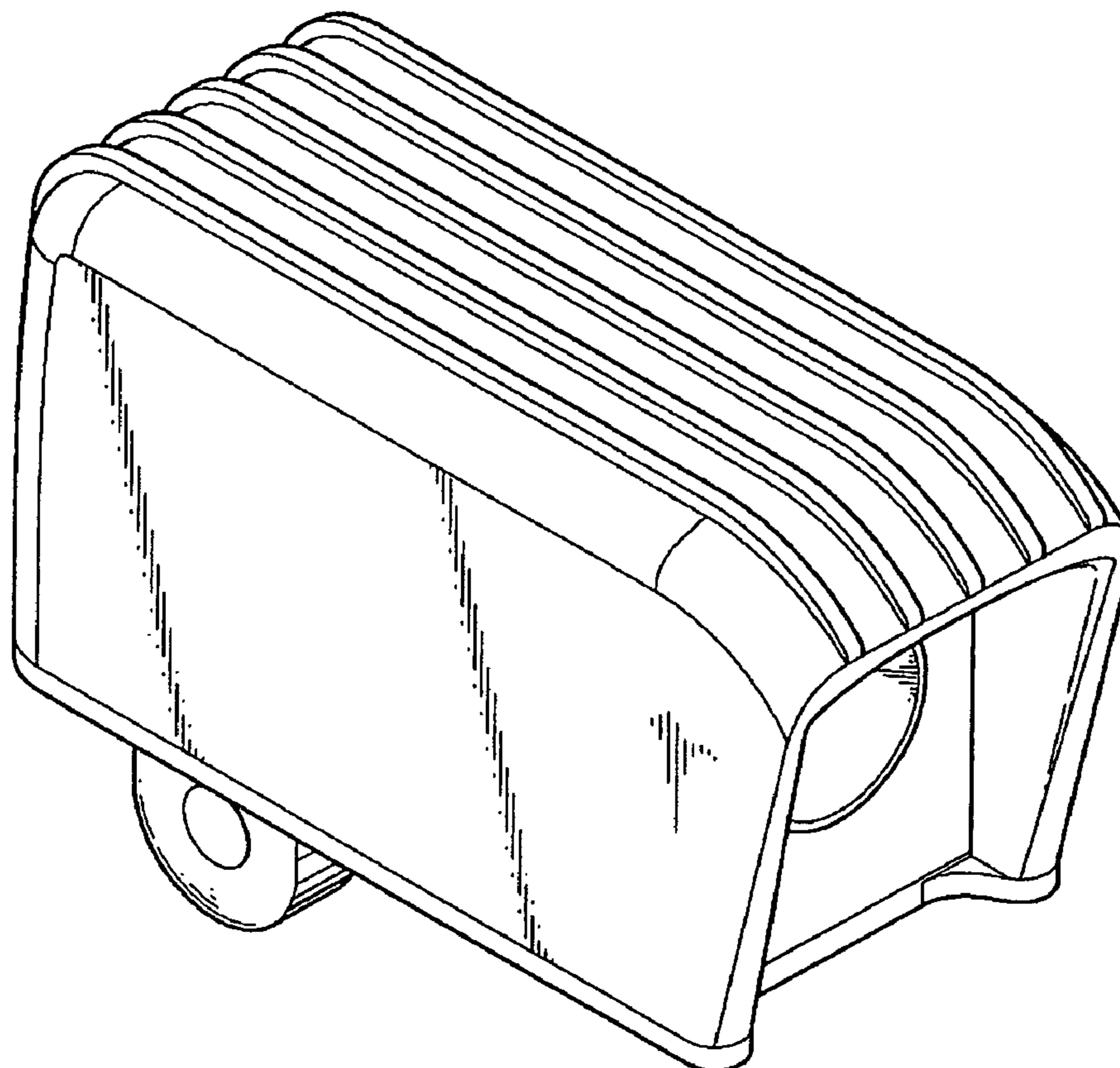
(57) **CLAIM**

The ornamental design for a controlling container for a  
streamline electric bicycle, as shown and described.

**DESCRIPTION**

FIG. 1 is a perspective view of a controlling container for a  
streamline electric bicycle showing my new design;  
FIG. 2 is a front elevational view thereof;  
FIG. 3 is a rear elevational view thereof,  
FIG. 4 is a left side elevational view thereof,  
FIG. 5 is a right side elevational view thereof,  
FIG. 6 is a top plan view thereof; and,  
FIG. 7 is a bottom plan view to that shown.

**1 Claim, 4 Drawing Sheets**



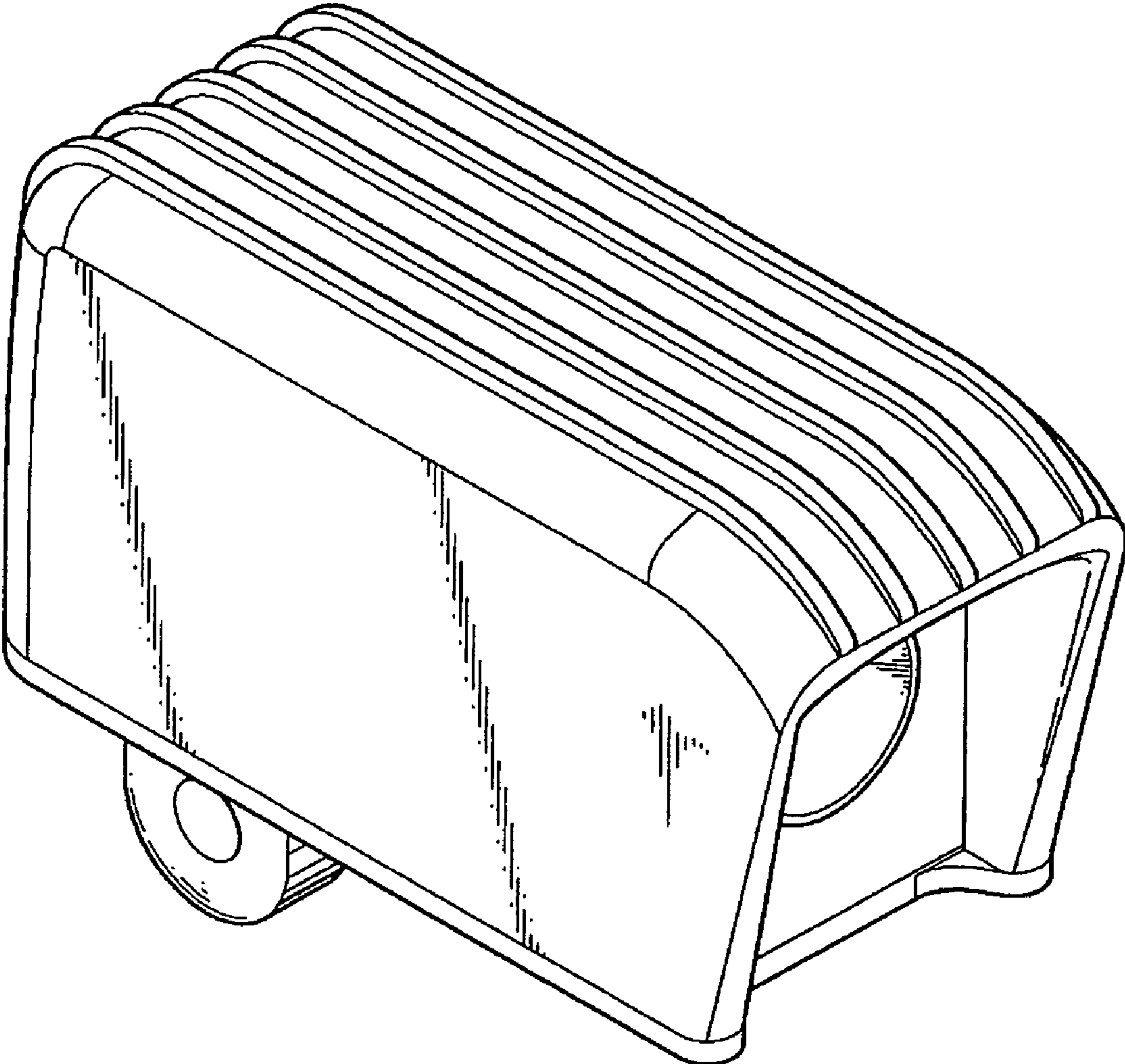


FIG. 1

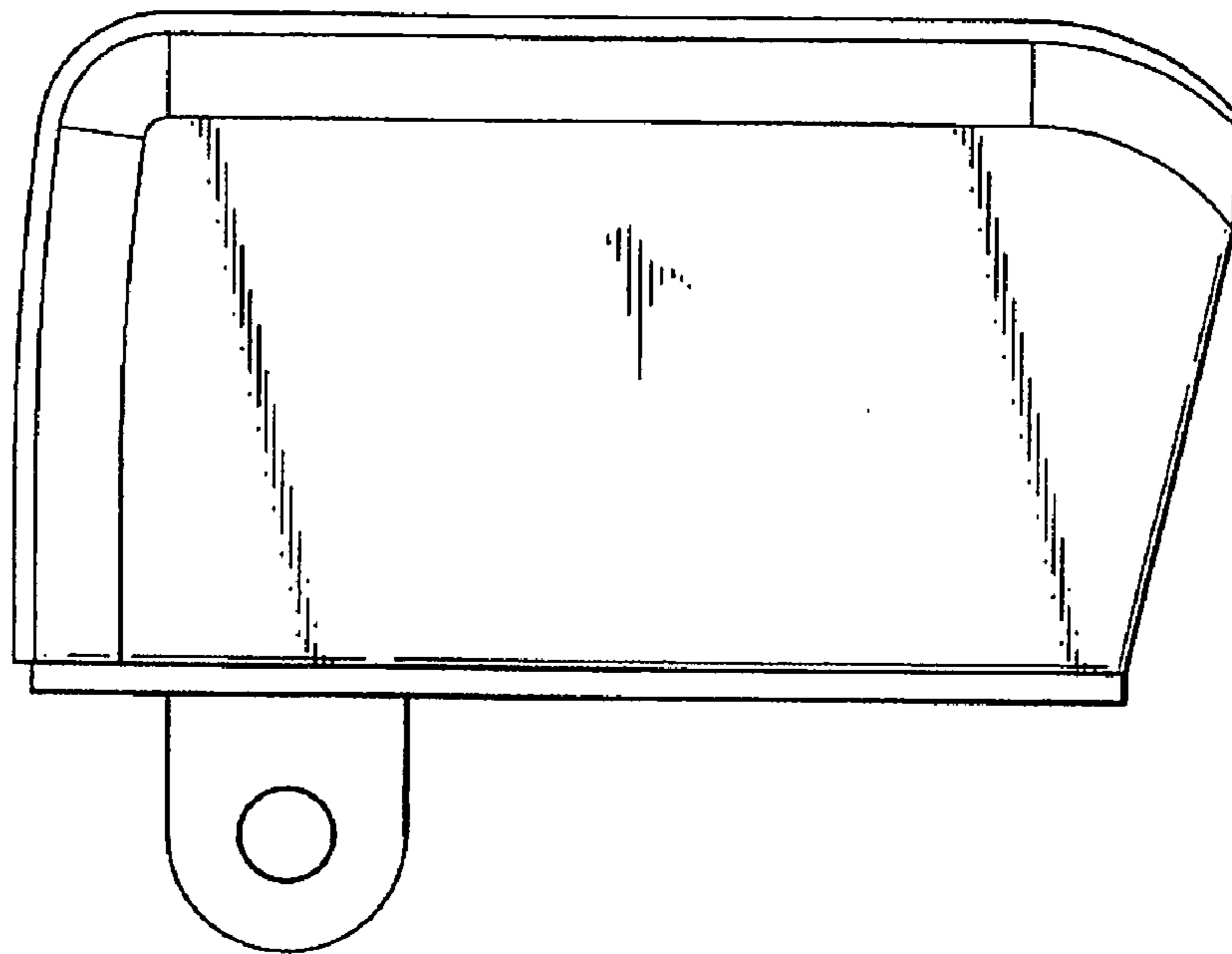


FIG. 2

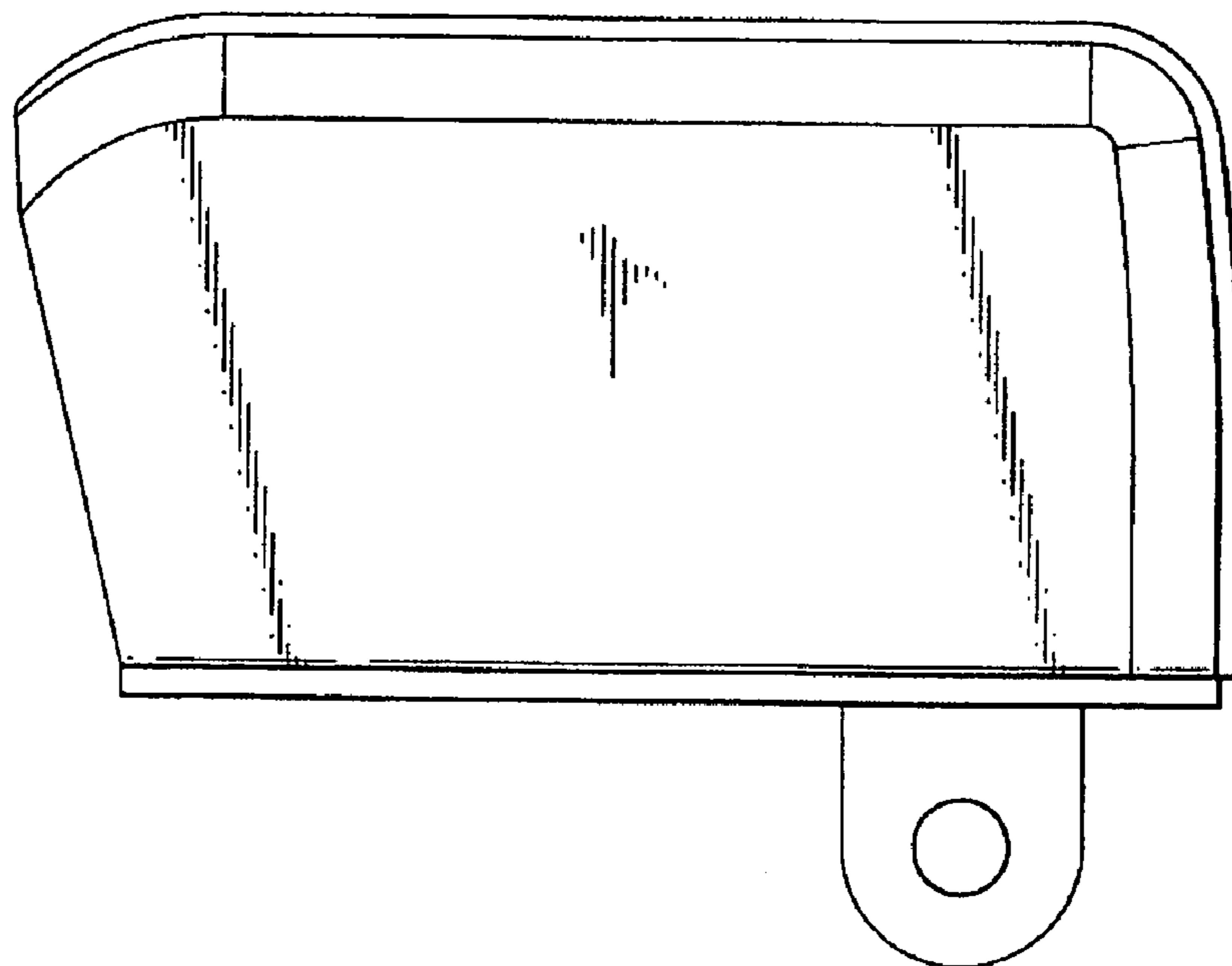


FIG. 3

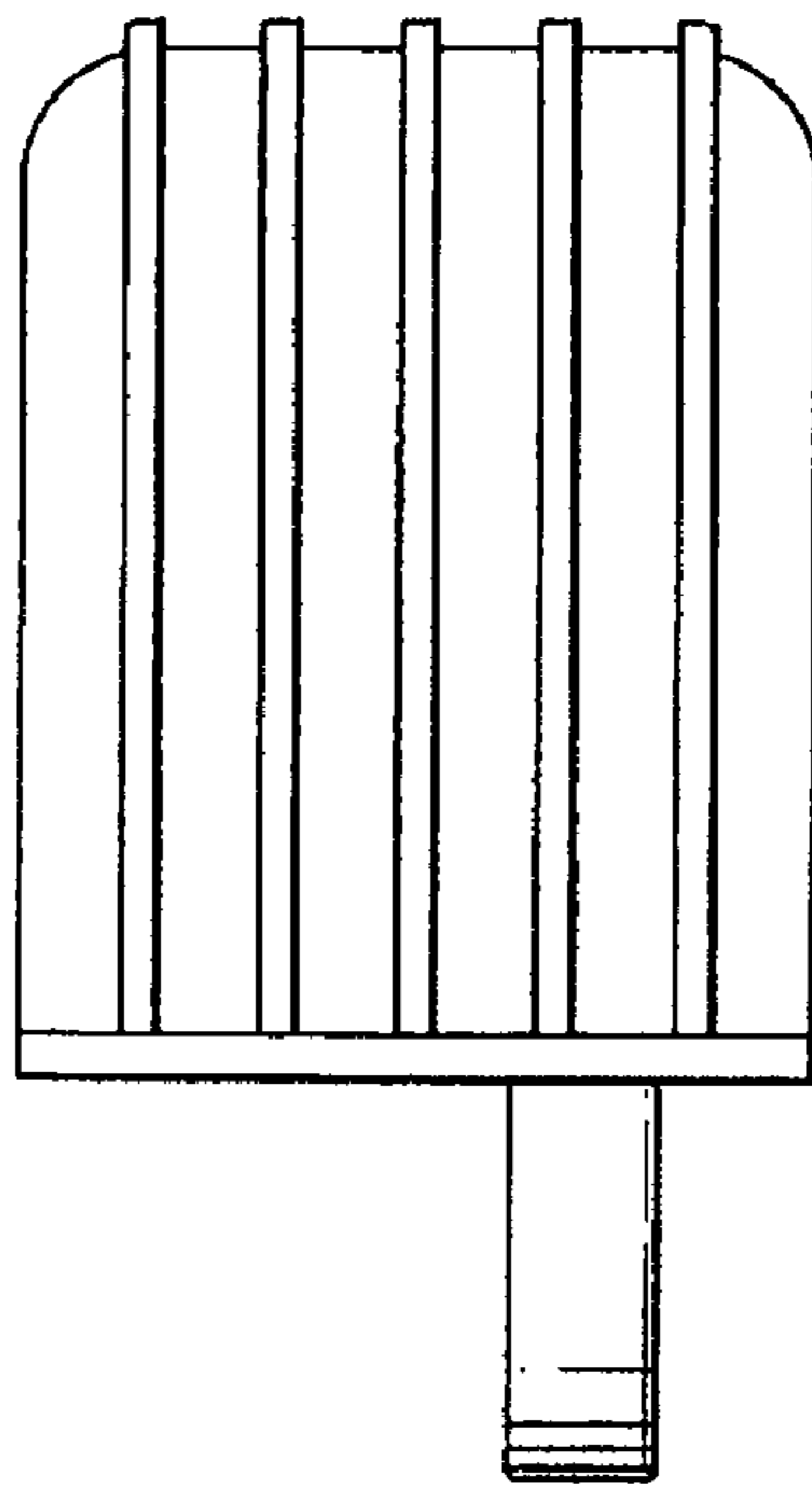


FIG. 4

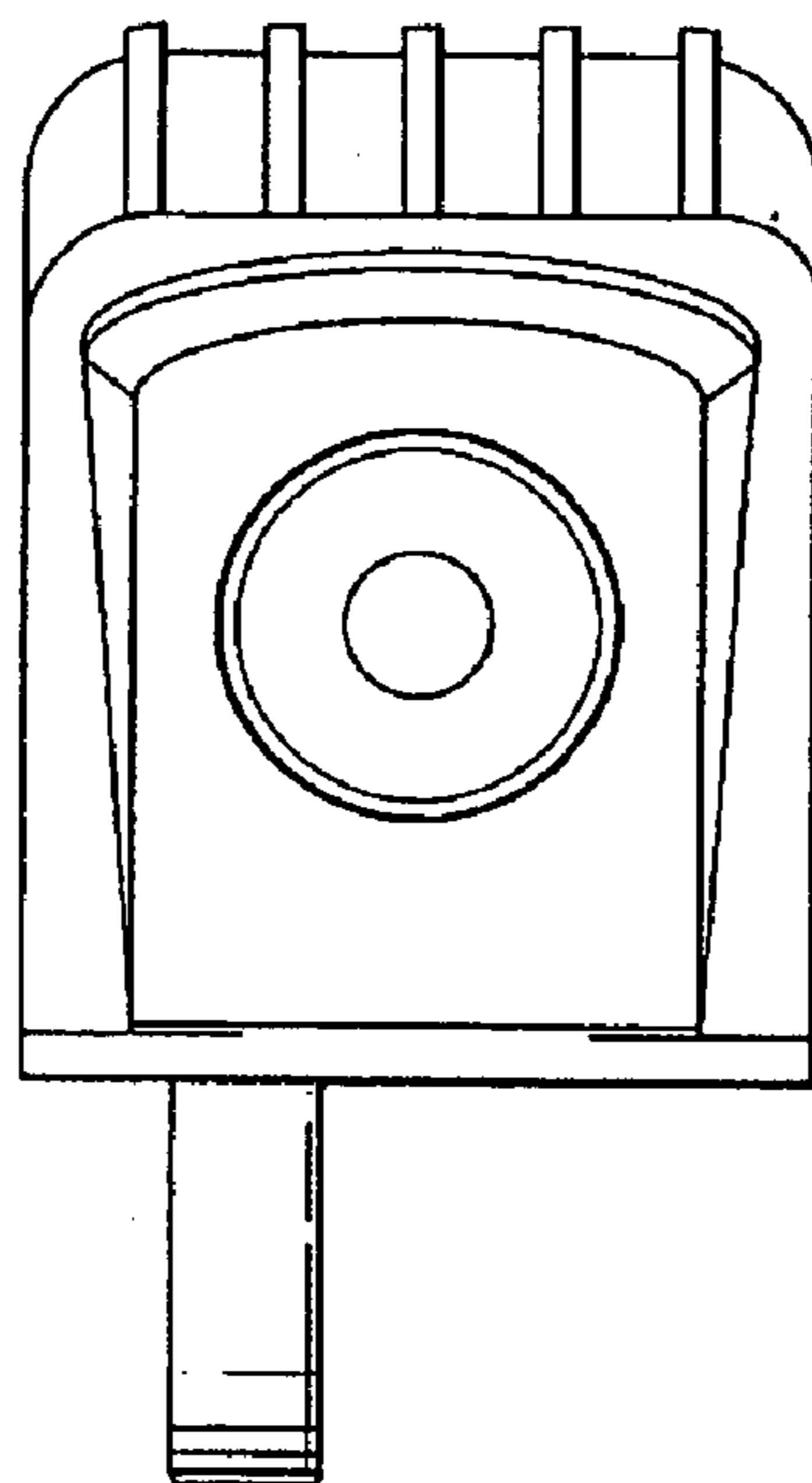


FIG. 5

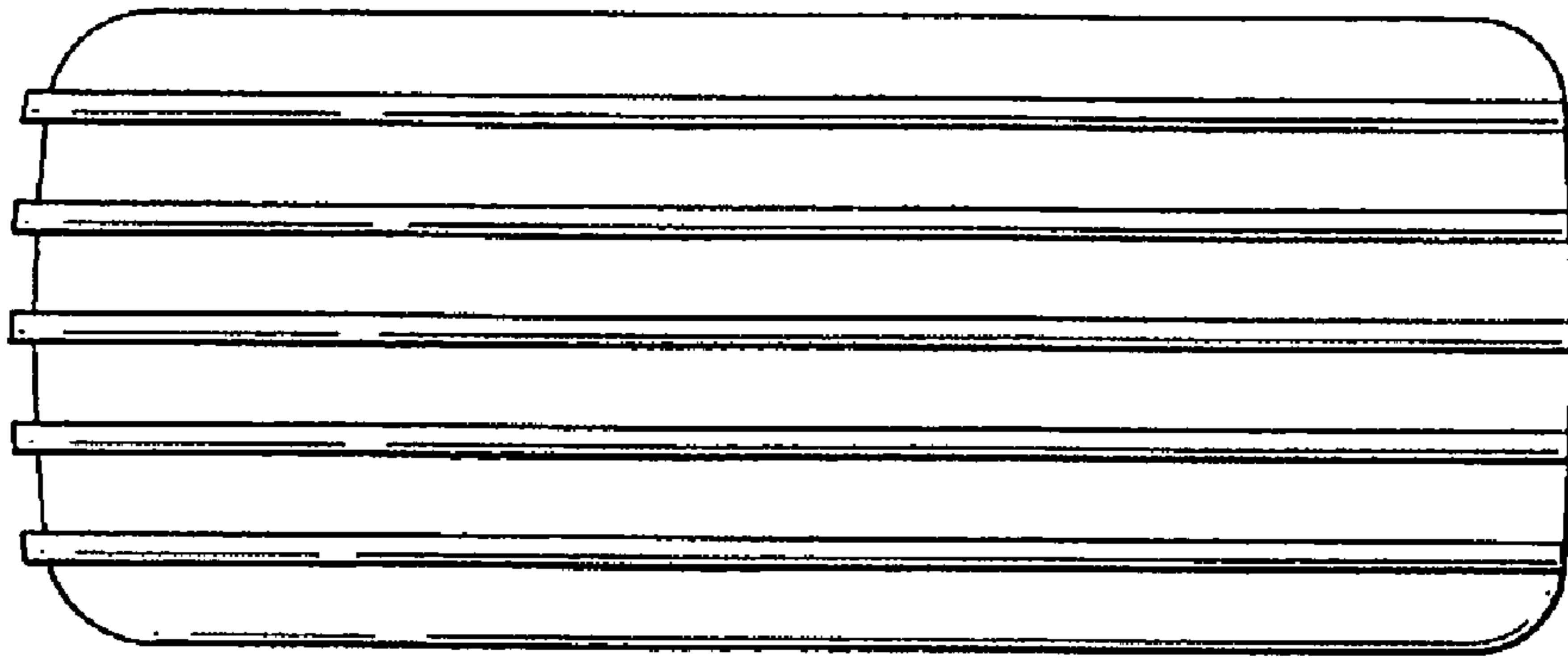


FIG. 6

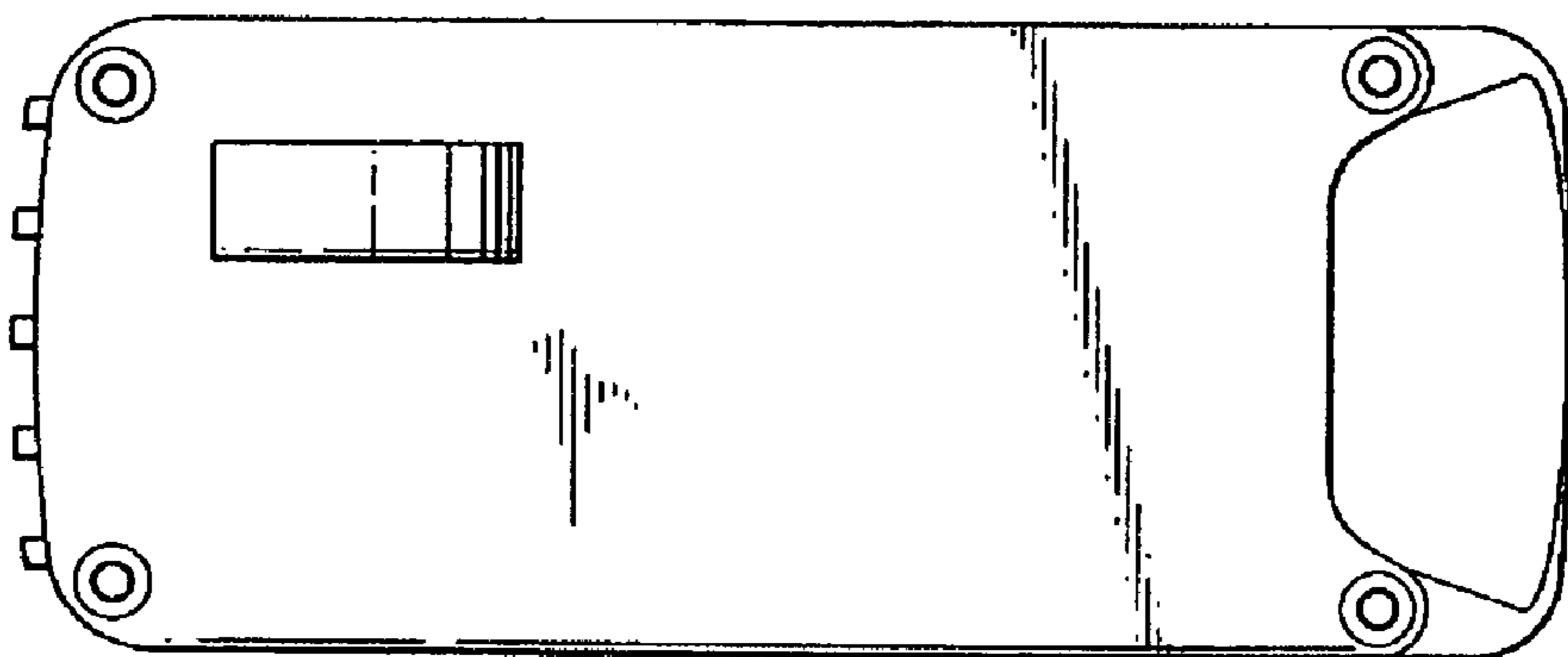


FIG. 7