



US00D550582S

(12) **United States Design Patent**
Gruosi-Scheufele

(10) **Patent No.:** **US D550,582 S**

(45) **Date of Patent:** **** Sep. 11, 2007**

(54) **PENDANT**

(75) **Inventor:** **Caroline Gruosi-Scheufele**, Prangins
(CH)

(73) **Assignee:** **Chopard International SA** (CH)

(**) **Term:** **14 Years**

(21) **Appl. No.:** **29/240,309**

(22) **Filed:** **Oct. 11, 2005**

(30) **Foreign Application Priority Data**

Apr. 12, 2005 (WO) DM/066 838

(51) **LOC (8) Cl.** **11-01**

(52) **U.S. Cl.** **D11/43**

(58) **Field of Classification Search** D11/7,
D11/40-45, 56, 61, 67, 69, 70, 75, 76, 79,
D11/81, 48, 54, 77, 1; 63/12, 13, 14.1, 14.2-14.4,
63/14.6, 14.7, 14.8, 20

See application file for complete search history.

(56) **References Cited**

U.S. PATENT DOCUMENTS

D248,380 S * 7/1978 Burchett D11/43
D301,316 S * 5/1989 Yoshida D11/79
D301,318 S * 5/1989 Yoshida D11/79

D429,474 S * 8/2000 Stein D11/79
D444,094 S * 6/2001 Boehm D11/26
D455,097 S * 4/2002 Salvarani D11/79
D459,266 S * 6/2002 Rizzetto D11/79
D497,322 S * 10/2004 Gruosi-Scheufele D11/79
2004/0194501 A1* 10/2004 Gruosi-Scheufele 63/1.14

* cited by examiner

Primary Examiner—Louis S. Zarfes

Assistant Examiner—Anhdao Doan

(74) *Attorney, Agent, or Firm*—McGlew and Tuttle P.C.

(57) **CLAIM**

The ornamental design for a pendant, as shown and described.

DESCRIPTION

FIG. 1 is a right side view of a pendant, showing my new design;

FIG. 2 is a front view thereof;

FIG. 3 is left side view thereof;

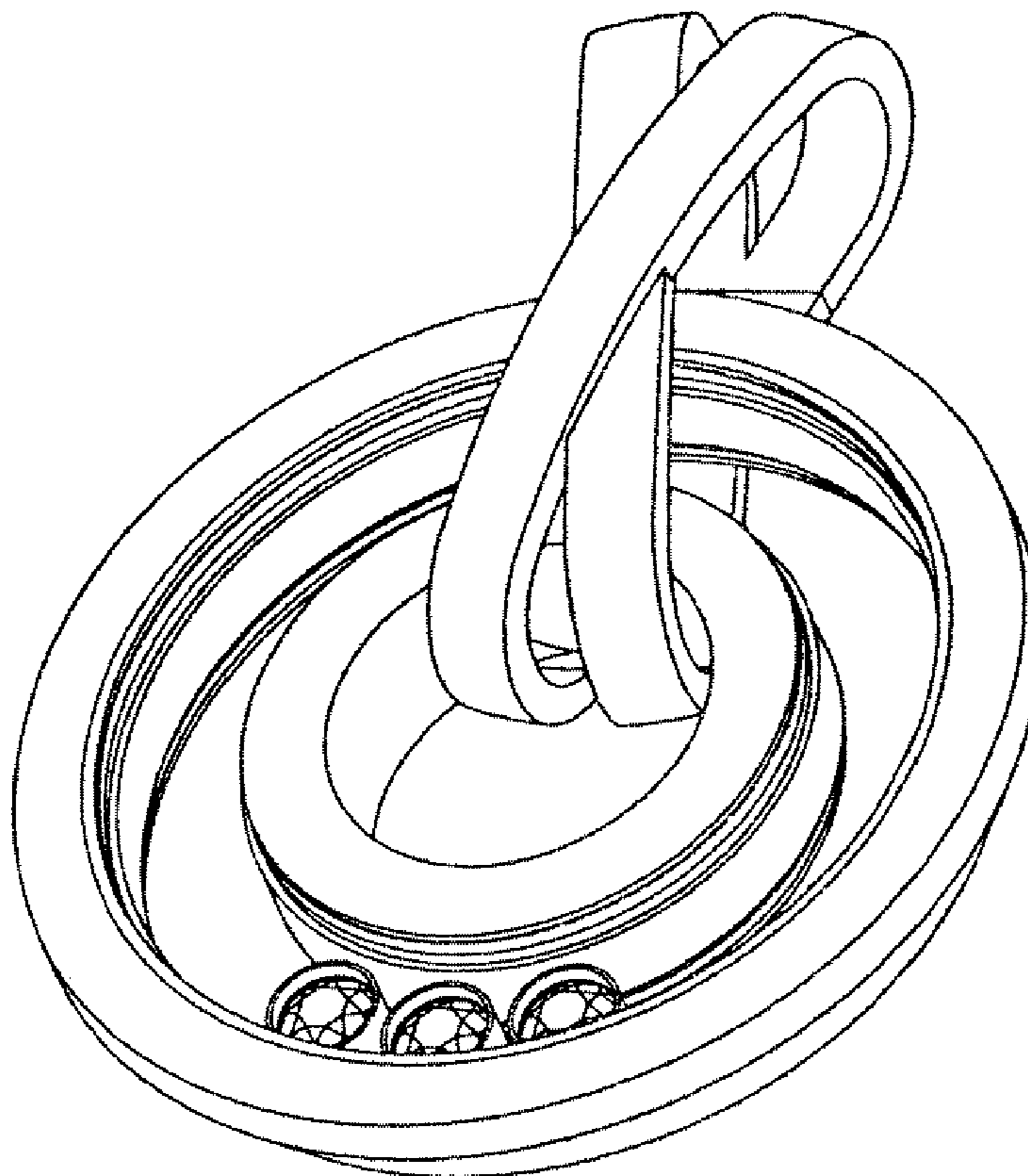
FIG. 4 is a bottom view thereof;

FIG. 5 is a back view thereof;

FIG. 6 is a top view thereof; and,

FIG. 7 is a front perspective view thereof.

1 Claim, 7 Drawing Sheets



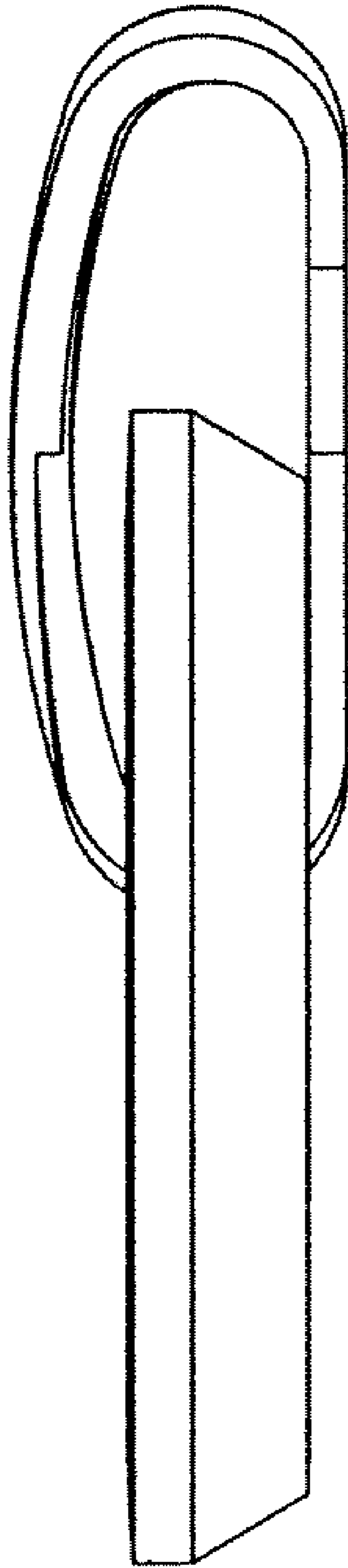


Fig. 1

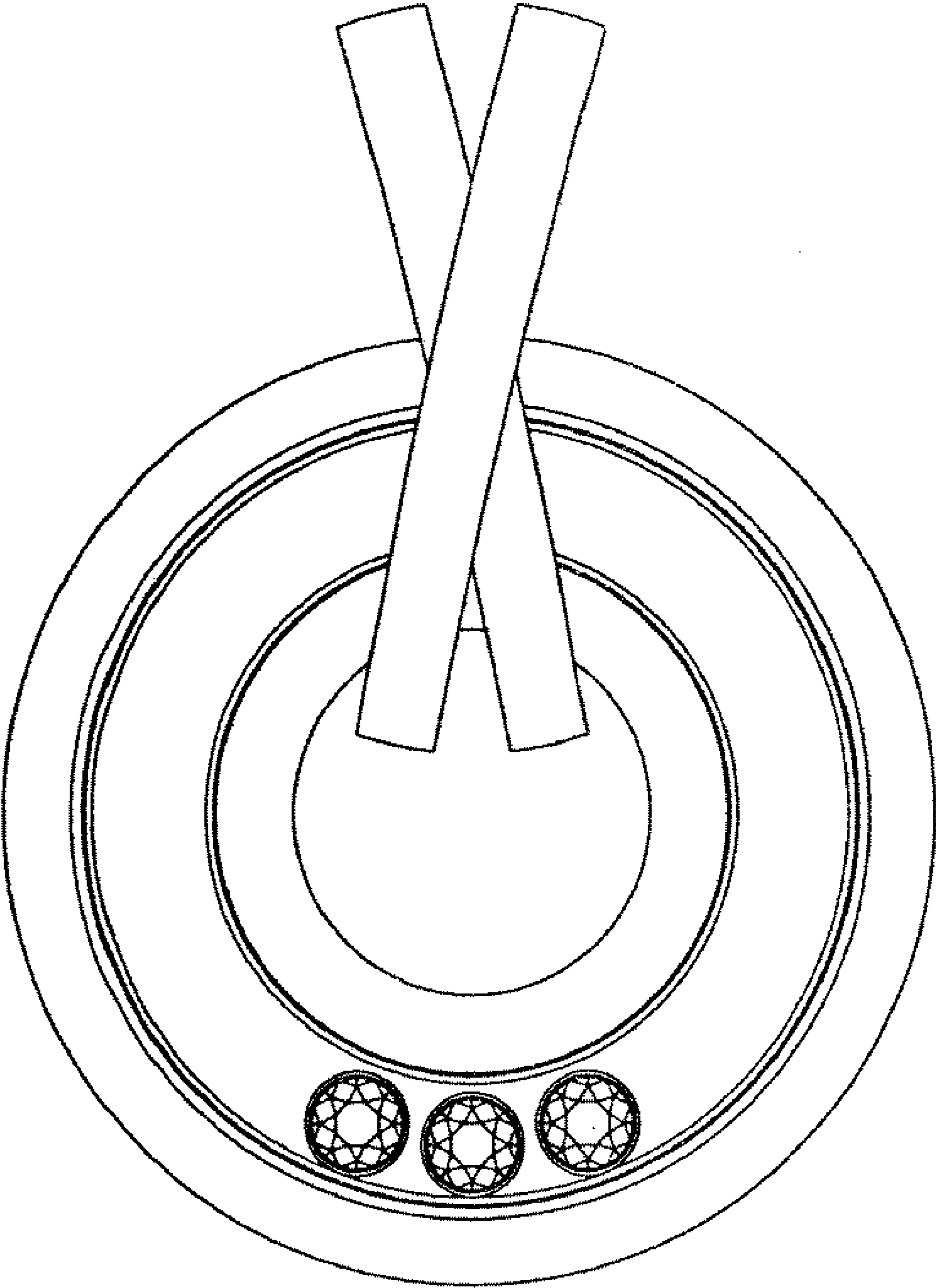


Fig. 2

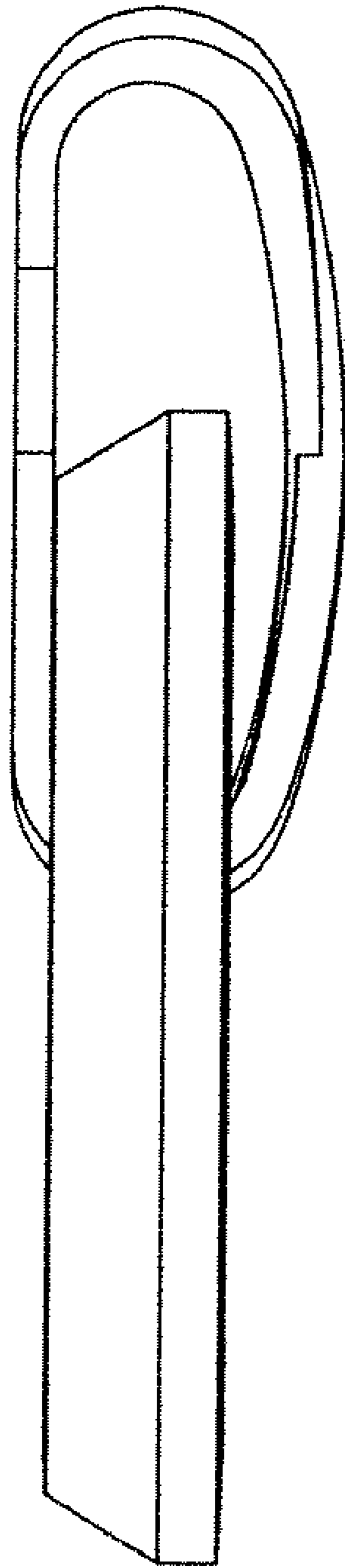


Fig. 3

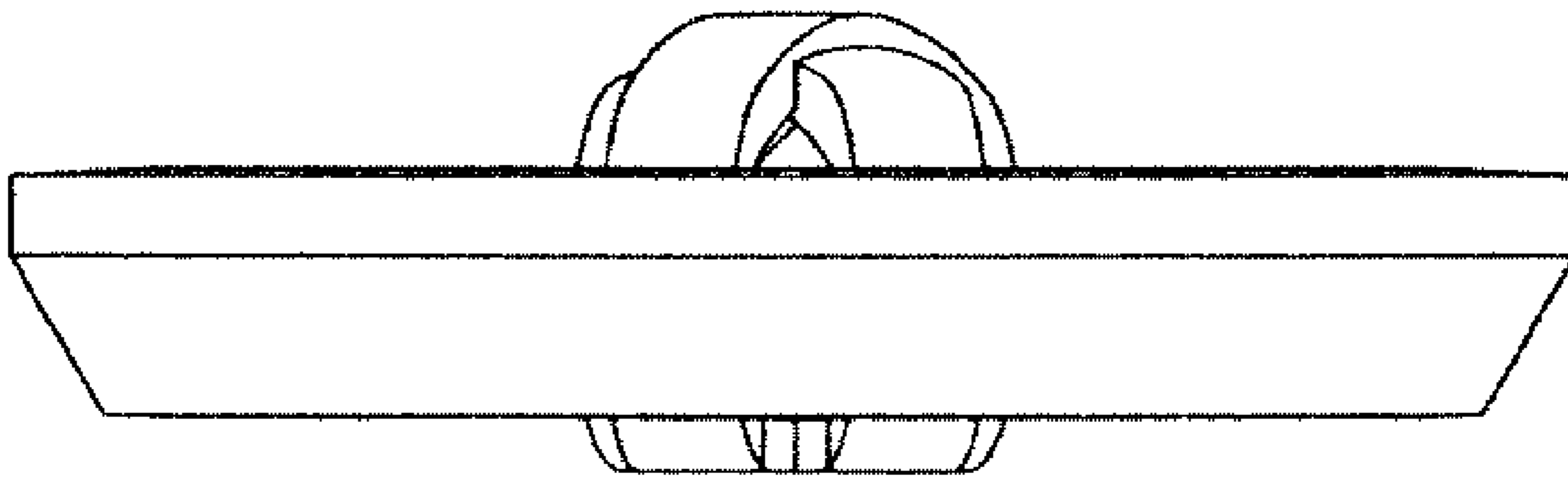


Fig. 4

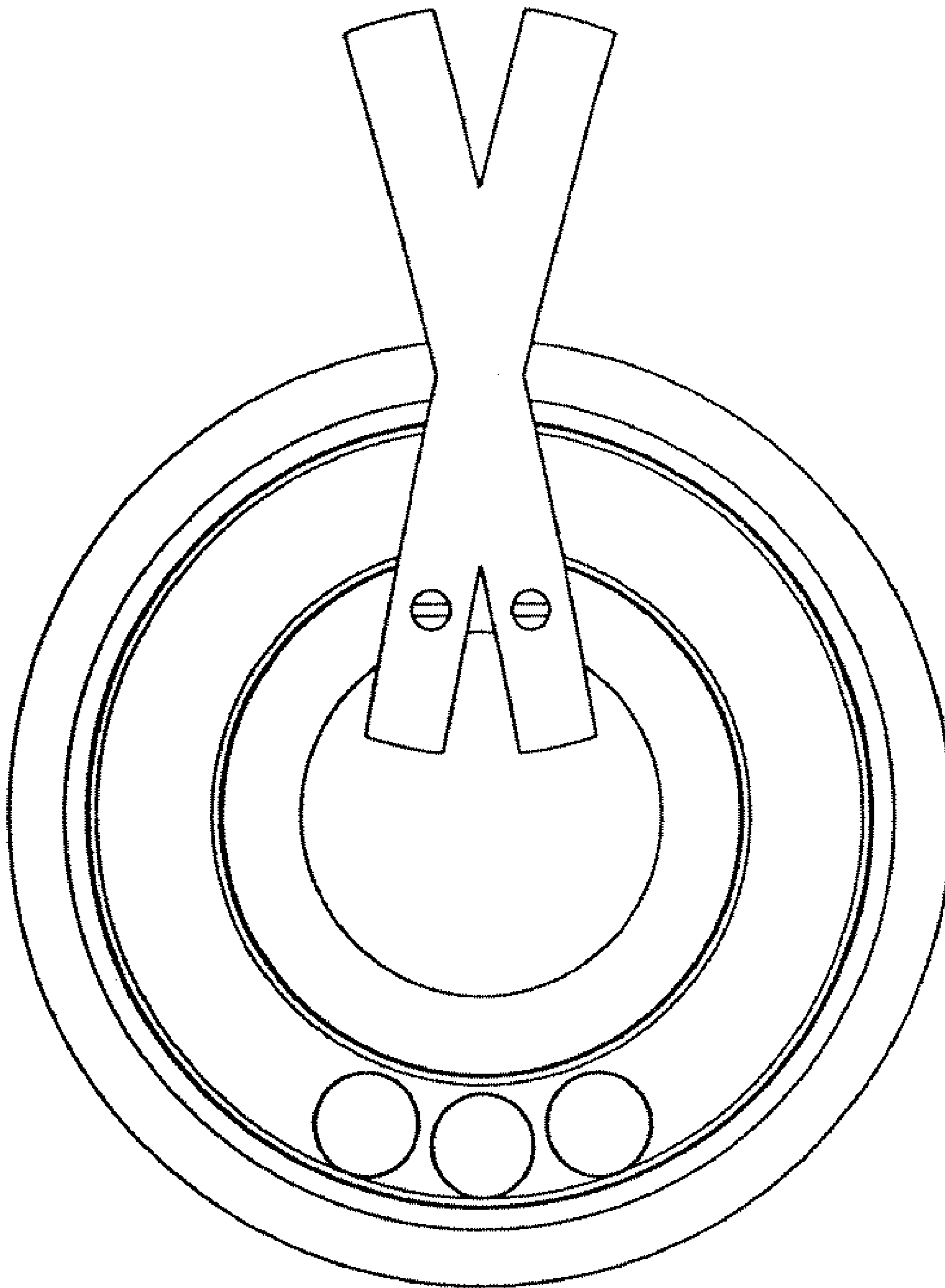


Fig. 5

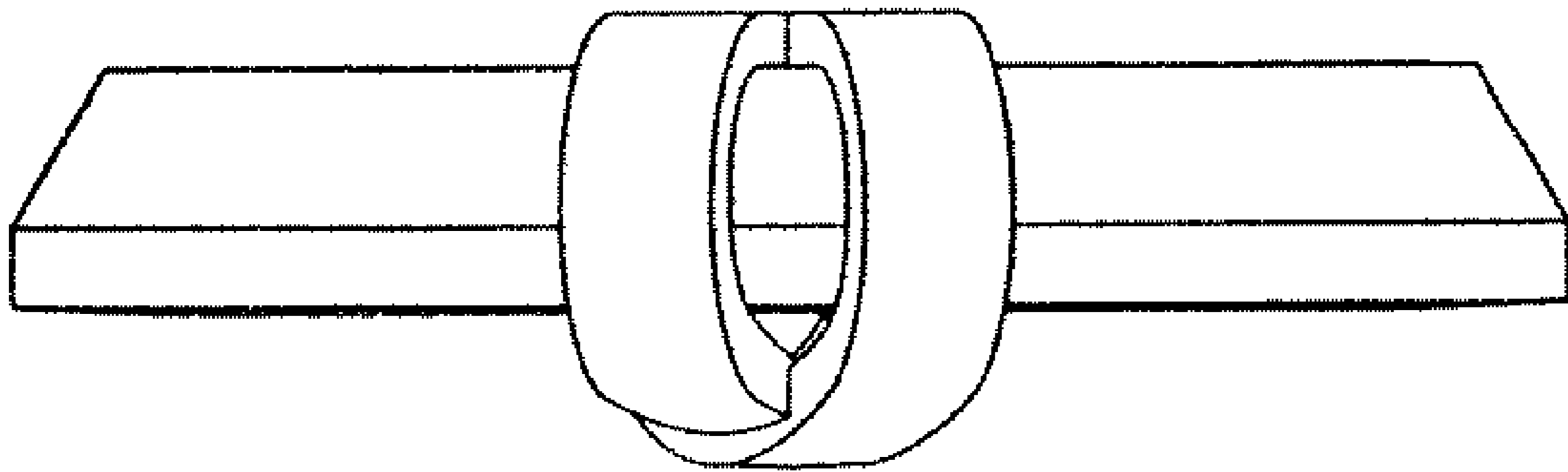


Fig. 6

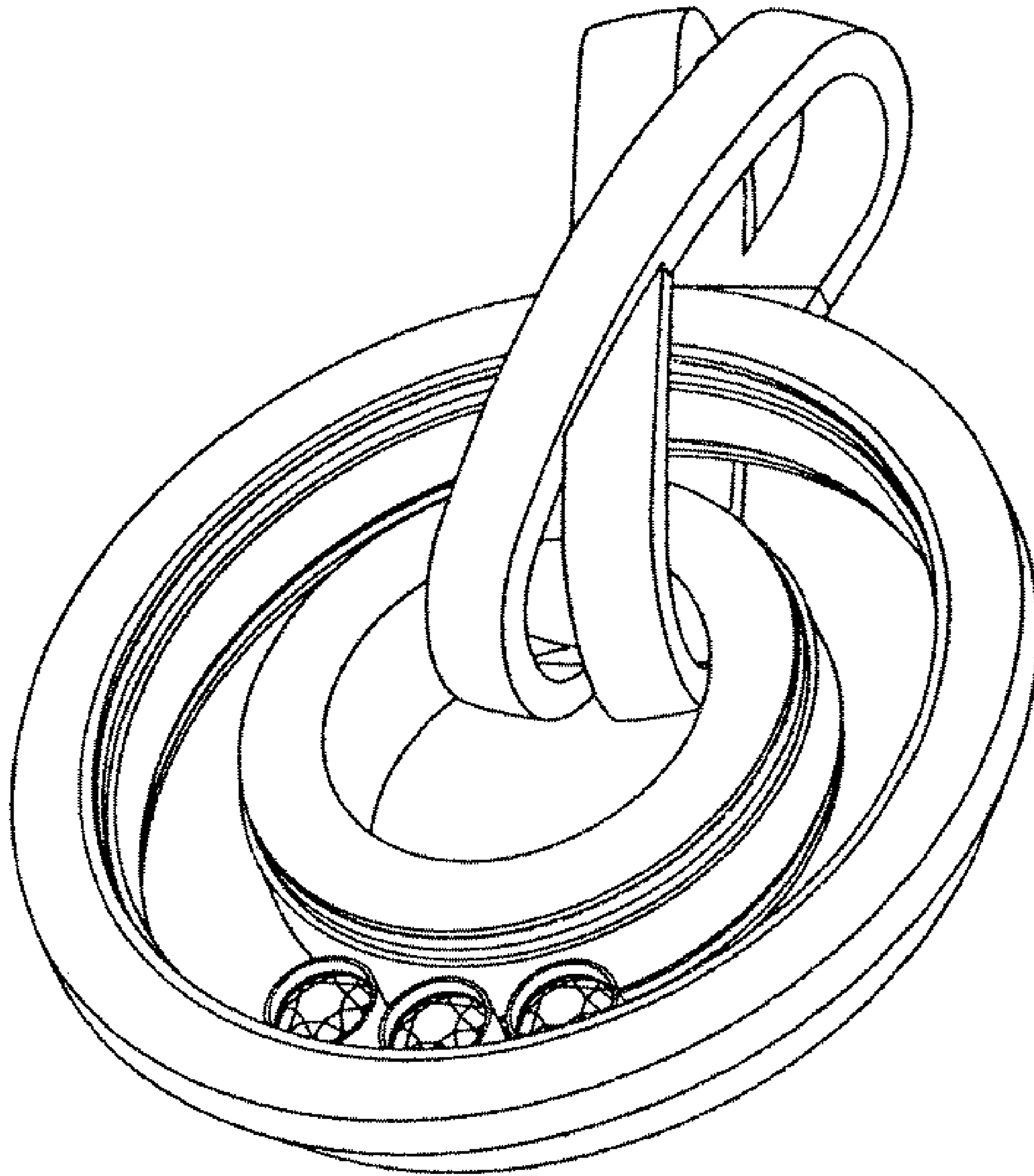


Fig. 7