



US00D550579S

(12) **United States Design Patent**
Goto et al.

(10) **Patent No.:** **US D550,579 S**

(45) **Date of Patent:** **** Sep. 11, 2007**

(54) **WATCH CASE**

(75) Inventors: **Atsushi Goto**, Tokyo (JP); **Kazuyo Kawashima**, Tokyo (JP); **Kenji Kojima**, Tokyo (JP)

(73) Assignee: **Casio Keisanki Kabushiki Kaisha**, Tokyo (JP)

(**) Term: **14 Years**

(21) Appl. No.: **29/270,299**

(22) Filed: **Dec. 19, 2006**

(51) **LOC (8) Cl.** **10-07**

(52) **U.S. Cl.** **D10/128**

(58) **Field of Classification Search** D10/30-39,
D10/122-132; 368/276, 277, 281, 282, 285,
368/29-30, 80, 82-84, 223, 228, 239-242,
368/232, 21, 28, 306, 308, 316, 319-321
See application file for complete search history.

(56) **References Cited**

U.S. PATENT DOCUMENTS

D266,490 S	*	10/1982	Takahashi	D10/39
D339,301 S	*	9/1993	Morishima	D10/38
D387,677 S	*	12/1997	Hanagata	D10/30
D387,686 S	*	12/1997	Hanagata	D10/38
D398,246 S	*	9/1998	Bruce et al.	D10/30
D438,474 S	*	3/2001	Dumas	D10/39
D480,652 S	*	10/2003	Streltsov	D10/30
D482,290 S	*	11/2003	Jarvis	D10/30
D493,373 S	*	7/2004	Sun	D10/30

D501,836 S	*	2/2005	Lowinger	D14/138
D512,922 S	*	12/2005	Yan	D10/32
D518,742 S	*	4/2006	Yan	D10/32
D525,882 S	*	8/2006	Yamamoto et al.	D10/38
D526,214 S	*	8/2006	Morishima et al.	D10/38
D536,998 S	*	2/2007	Fujihara	D10/38
D538,181 S	*	3/2007	Sugiura	D10/31

* cited by examiner

Primary Examiner—Lucy Lieberman

(74) *Attorney, Agent, or Firm*—Frishauf, Holtz, Goodman & Chick, P.C.

(57) **CLAIM**

The ornamental design for a watch case, as shown and described.

DESCRIPTION

FIG. 1 is a front, left side, top perspective view of a watch case showing our new design;

FIG. 2 is a front elevational view thereof;

FIG. 3 is a rear elevational view thereof;

FIG. 4 is a left side view thereof;

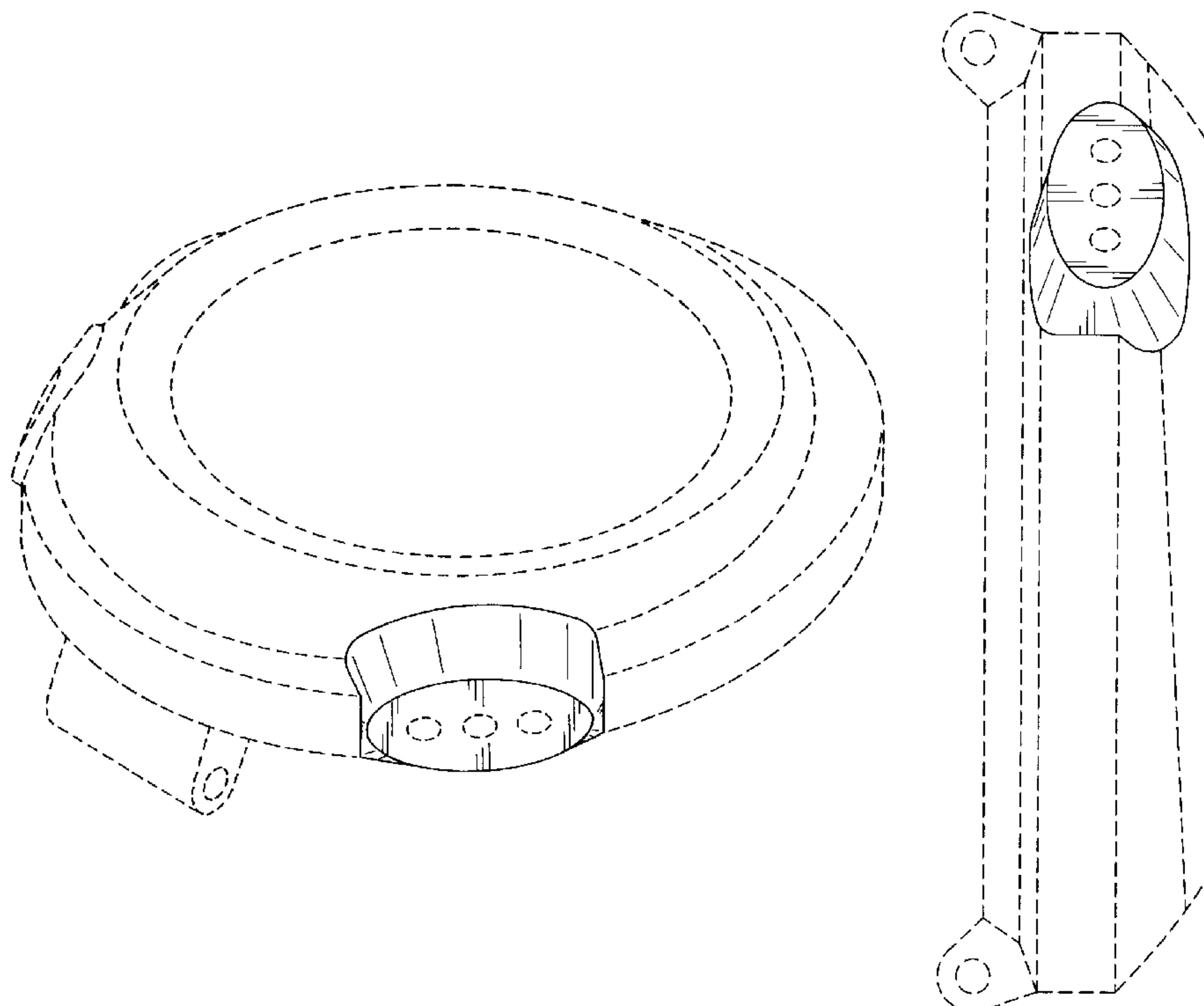
FIG. 5 is a right side view thereof;

FIG. 6 is a top plan view thereof; and,

FIG. 7 is a bottom plan view thereof.

The broken line showings are for illustrative purposes only and form no part of the claimed design.

1 Claim, 6 Drawing Sheets



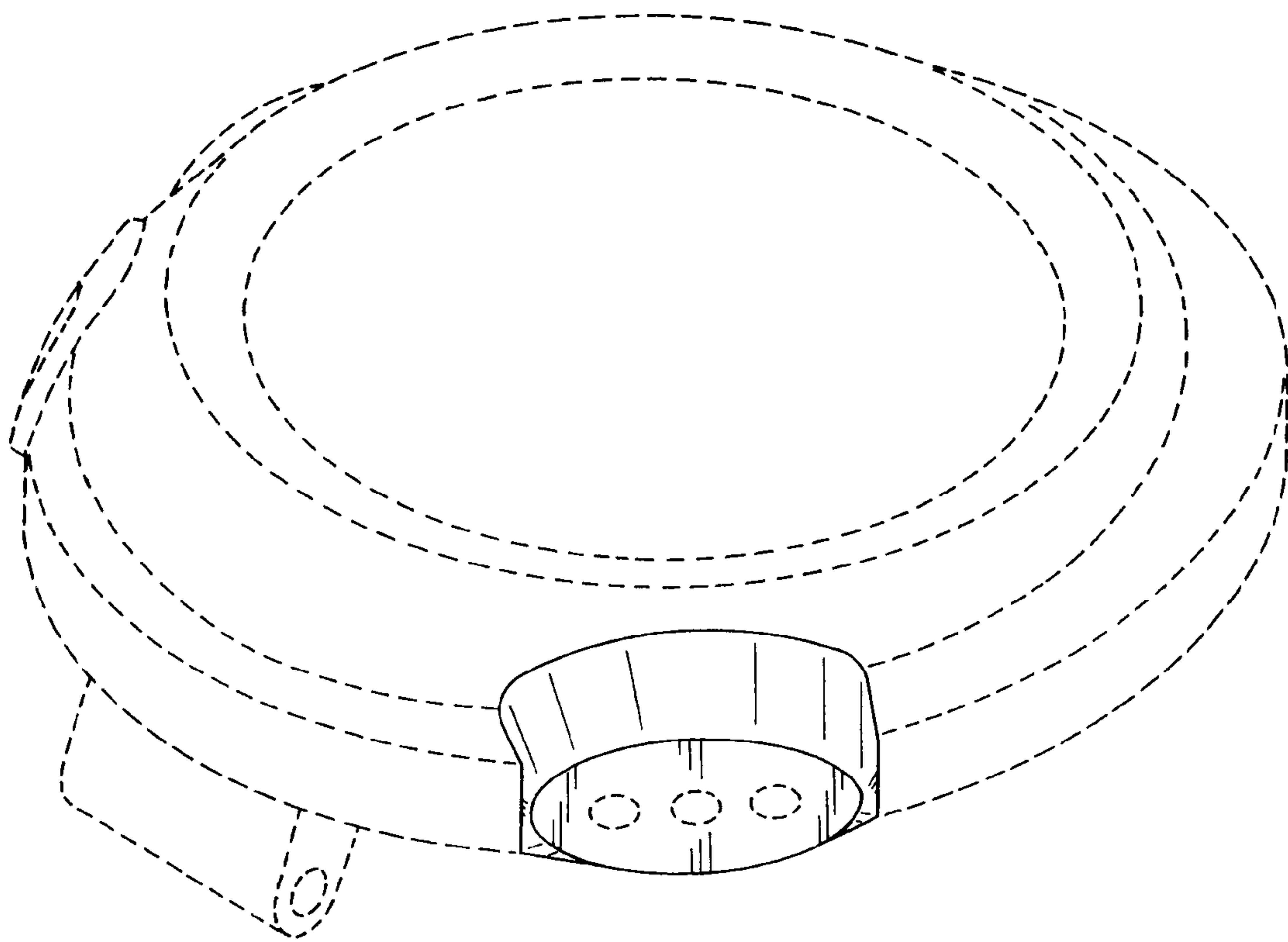


FIG. 1

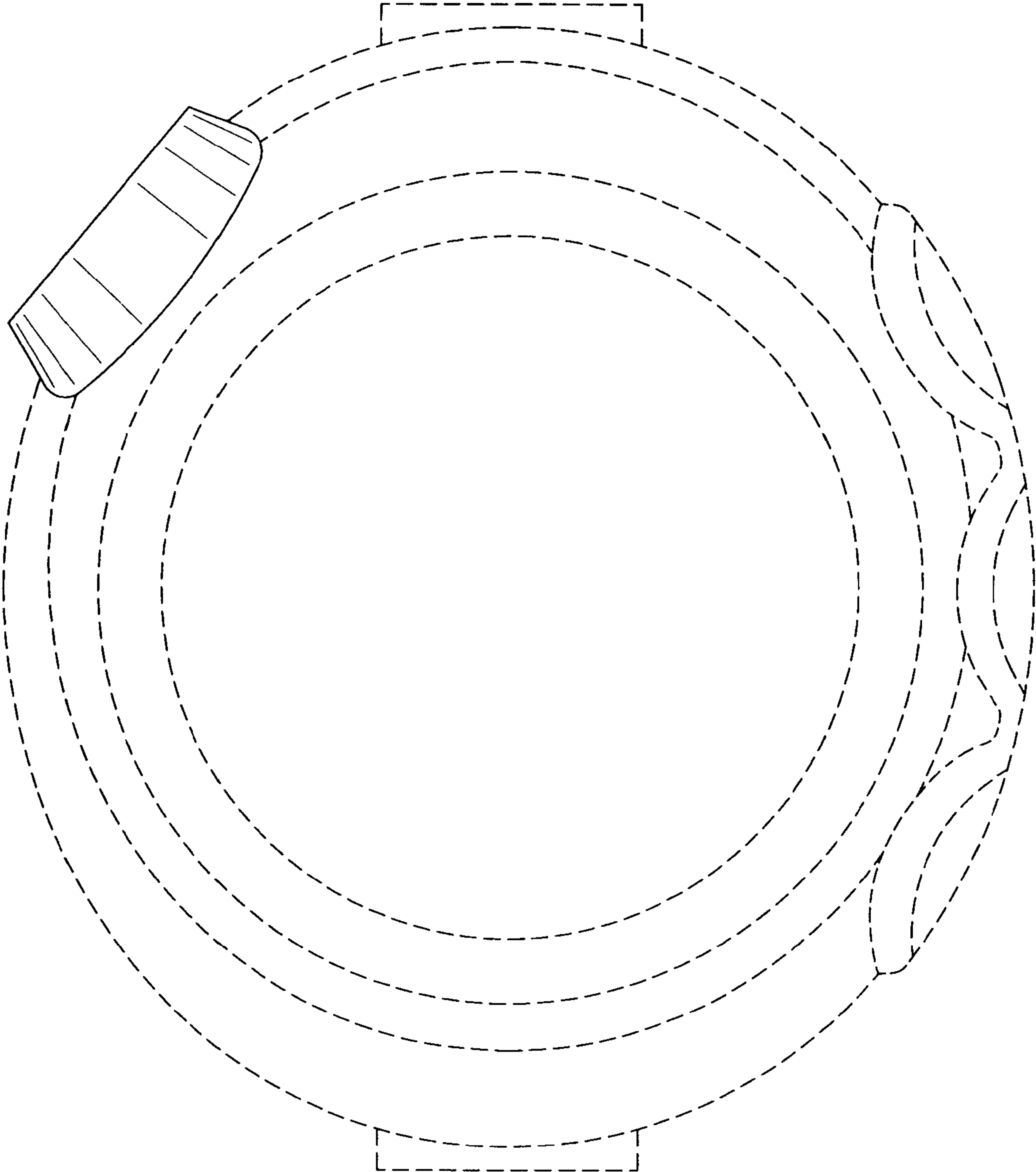


FIG. 2

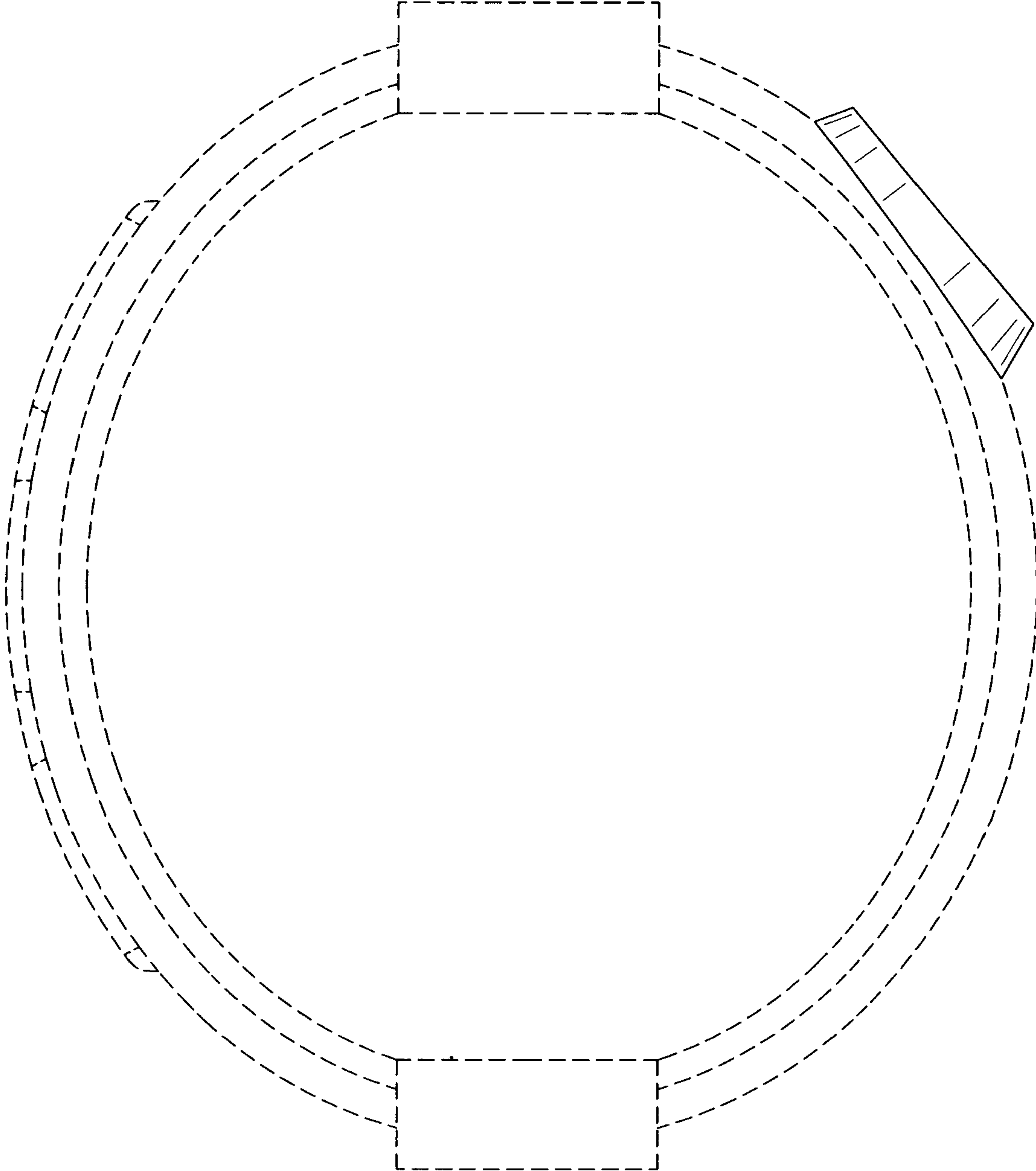


FIG. 3

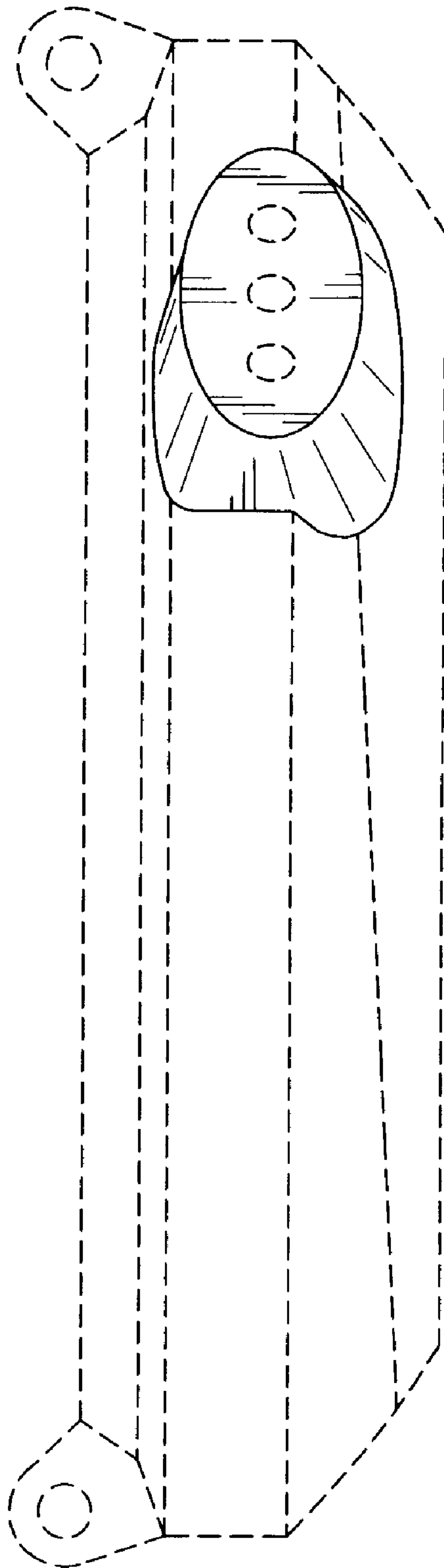


FIG. 4

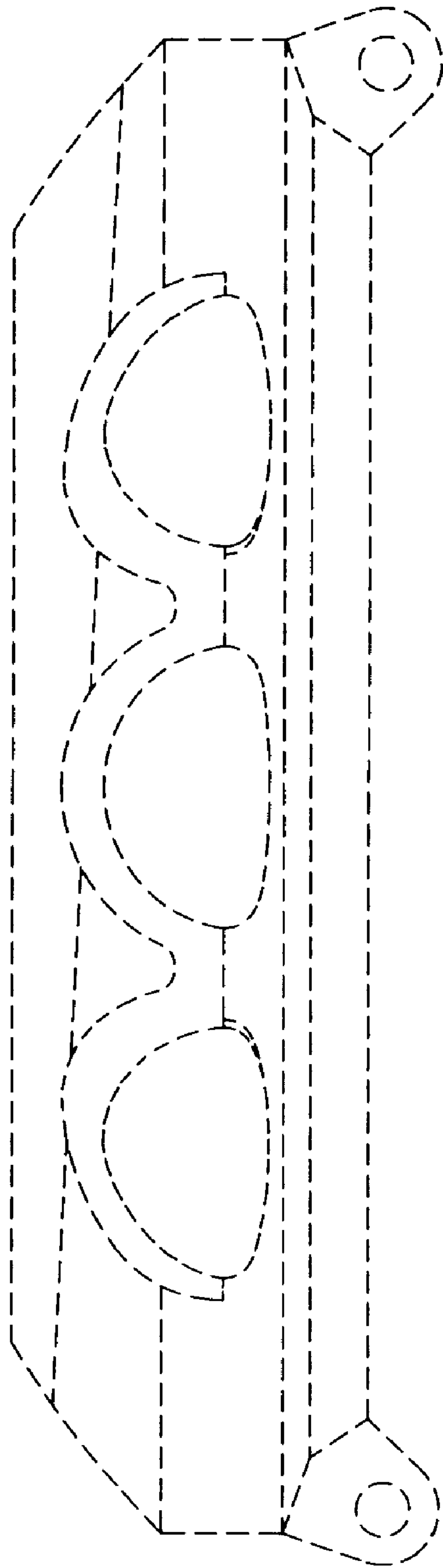


FIG. 5

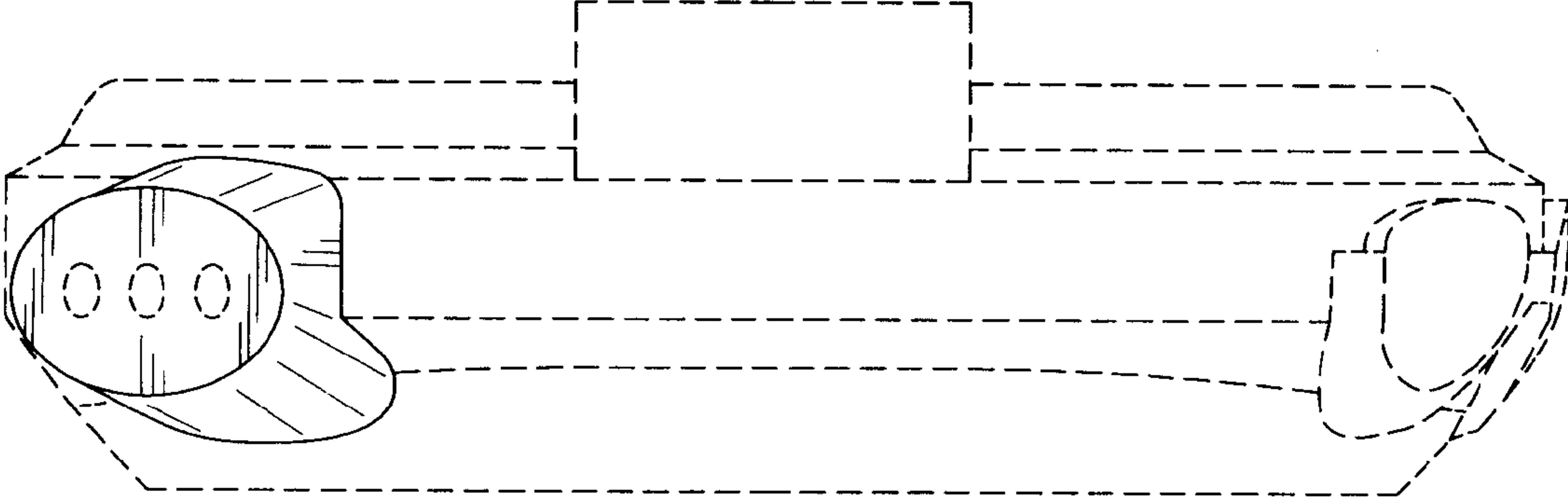


FIG. 6

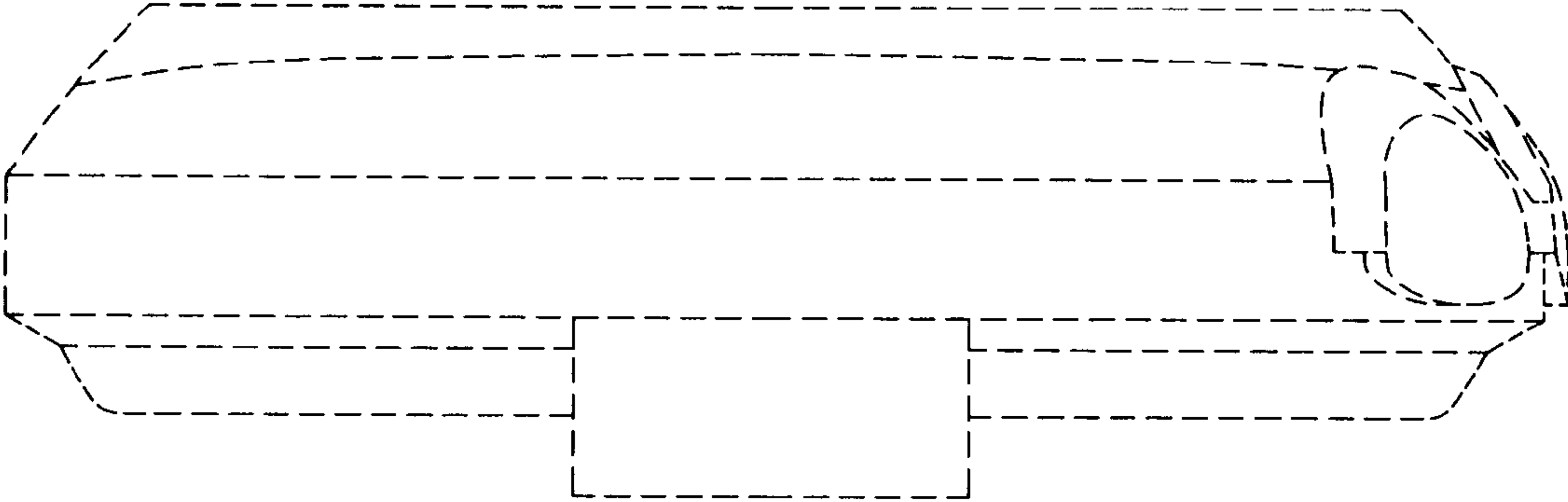


FIG. 7