



US00D550577S

(12) **United States Design Patent**
Nakashima et al.

(10) **Patent No.:** **US D550,577 S**

(45) **Date of Patent:** **** Sep. 11, 2007**

(54) **HOUSING FOR A SMOKE SENSOR**

D517,439 S * 3/2006 Black et al. D10/106
2005/0057366 A1* 3/2005 Kadwell et al. 340/630

(75) Inventors: **Tomohisa Nakashima**, Inuyama (JP);
Motoki Ito, Inuyama (JP)

FOREIGN PATENT DOCUMENTS

(73) Assignee: **Energy Support Corporation**,
Aichi-Ken (JP)

JP D1245330 6/2005
JP D1245331 6/2005

(**) Term: **14 Years**

* cited by examiner

(21) Appl. No.: **29/237,427**

Primary Examiner—Robert M. Spear
Assistant Examiner—George D. Kirschbaum, Jr.
(74) *Attorney, Agent, or Firm*—Harness, Dickey & Pierce,
P.L.C.

(22) Filed: **Sep. 1, 2005**

(30) **Foreign Application Priority Data**

(57) **CLAIM**

Mar. 2, 2005 (JP) 2005-006120

The ornamental design for a housing for a smoke sensor, as shown.

(51) **LOC (8) Cl.** **10-05**

(52) **U.S. Cl.** **D10/106**

(58) **Field of Classification Search** D10/104–121;
D26/38; 340/521, 540, 555, 556, 557, 565,
340/600, 628, 629, 630

DESCRIPTION

See application file for complete search history.

FIG. 1 is a perspective view of a housing for a smoke sensor showing our new design;
FIG. 2 is a right side view thereof;
FIG. 3 is a left side view thereof;
FIG. 4 is a top plan view thereof;
FIG. 5 is a bottom plan view thereof; and,
FIG. 6 is a front view thereof.

(56) **References Cited**

U.S. PATENT DOCUMENTS

D334,541 S * 4/1993 Schwartz D10/104
D457,456 S * 5/2002 Holland D10/106
D485,200 S * 1/2004 Berthold et al. D10/106

1 Claim, 3 Drawing Sheets

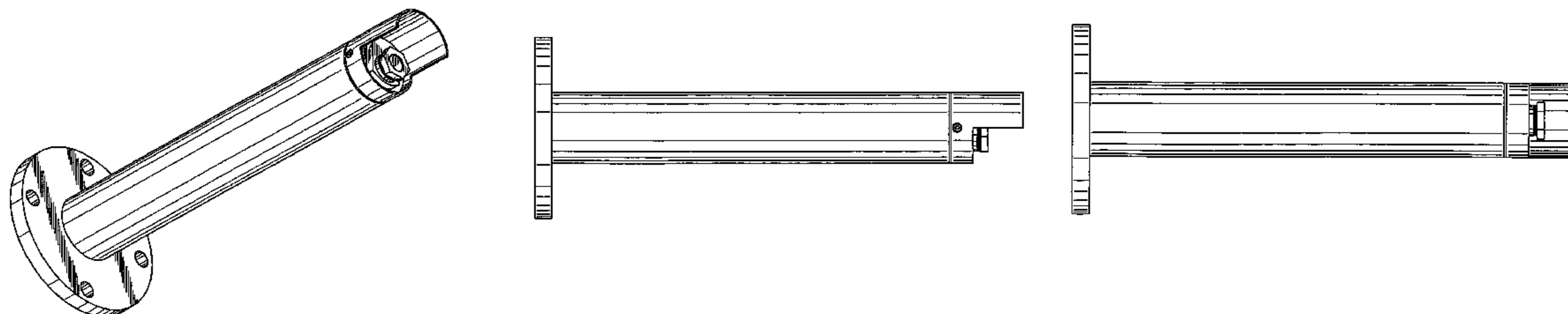


FIG. 1

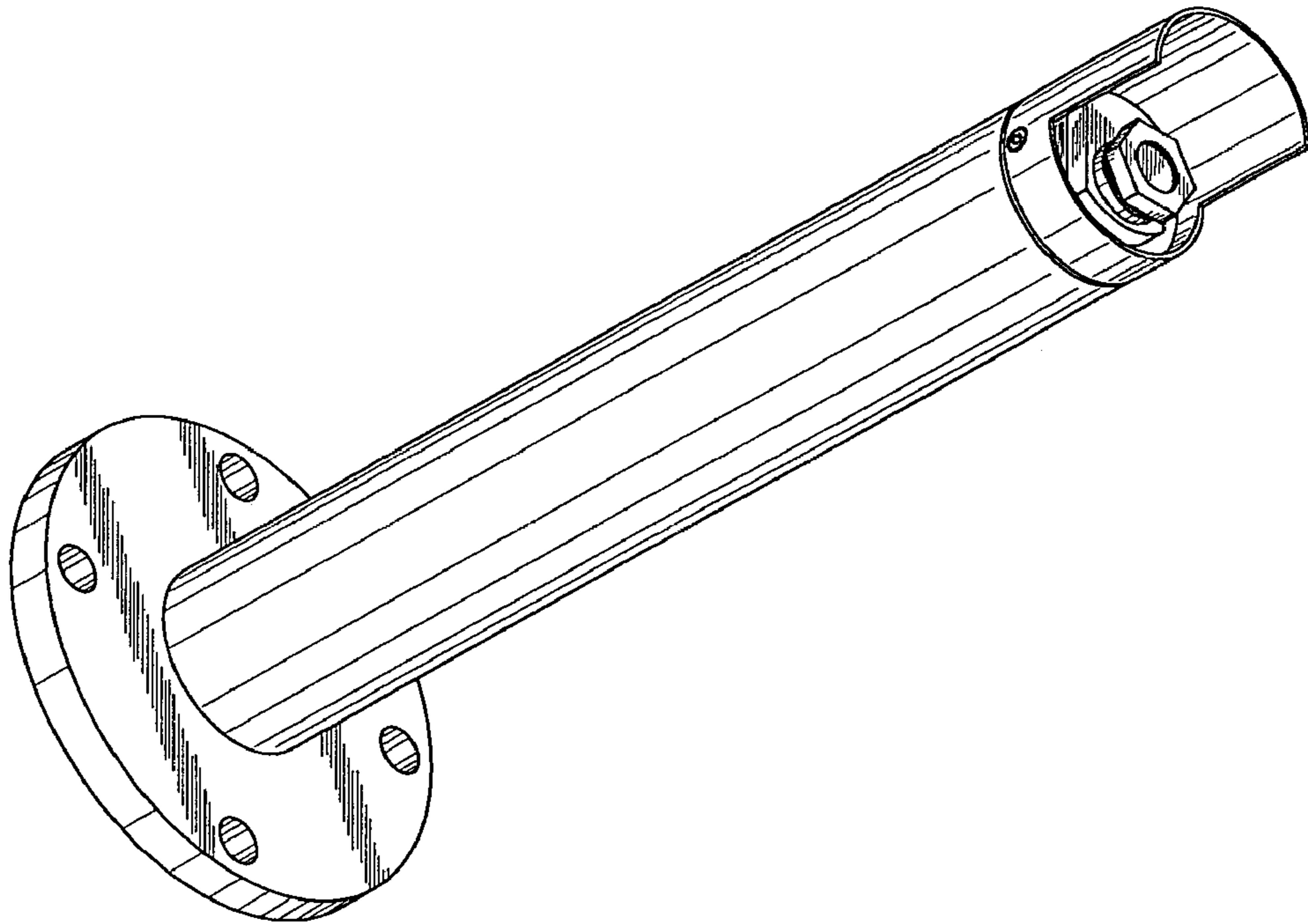


FIG. 2

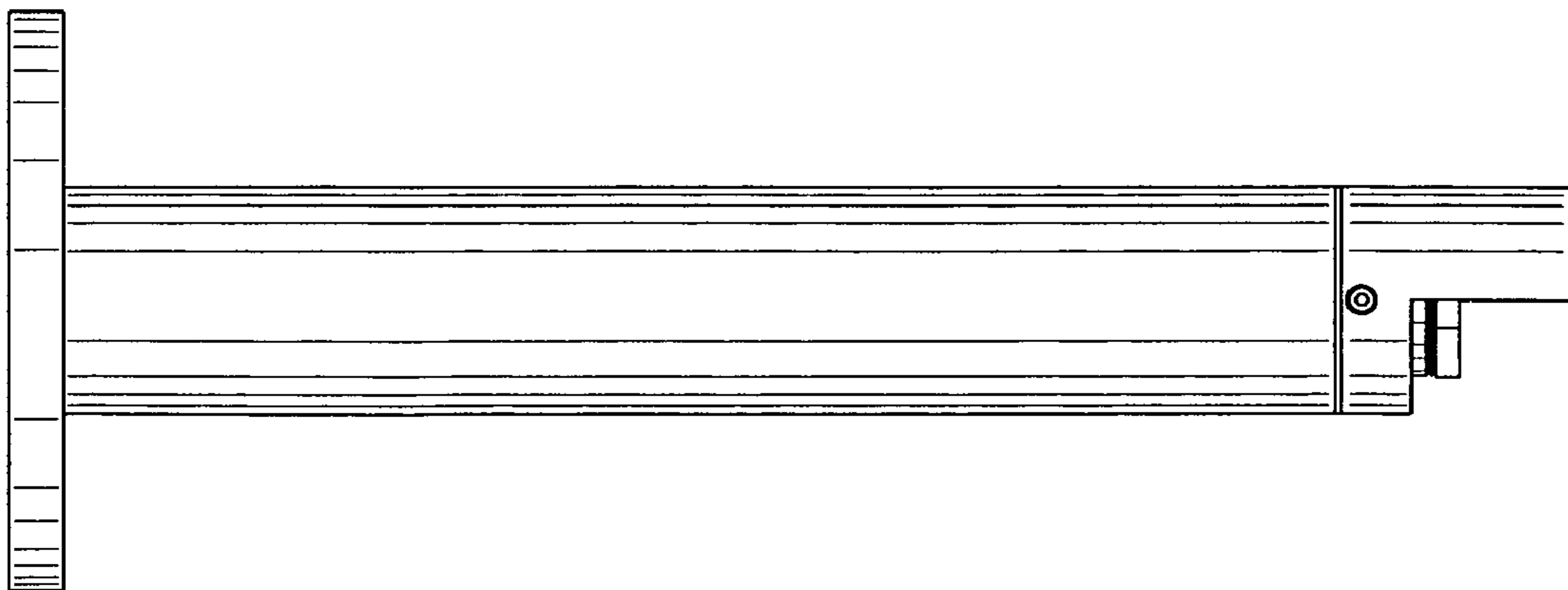


FIG. 3

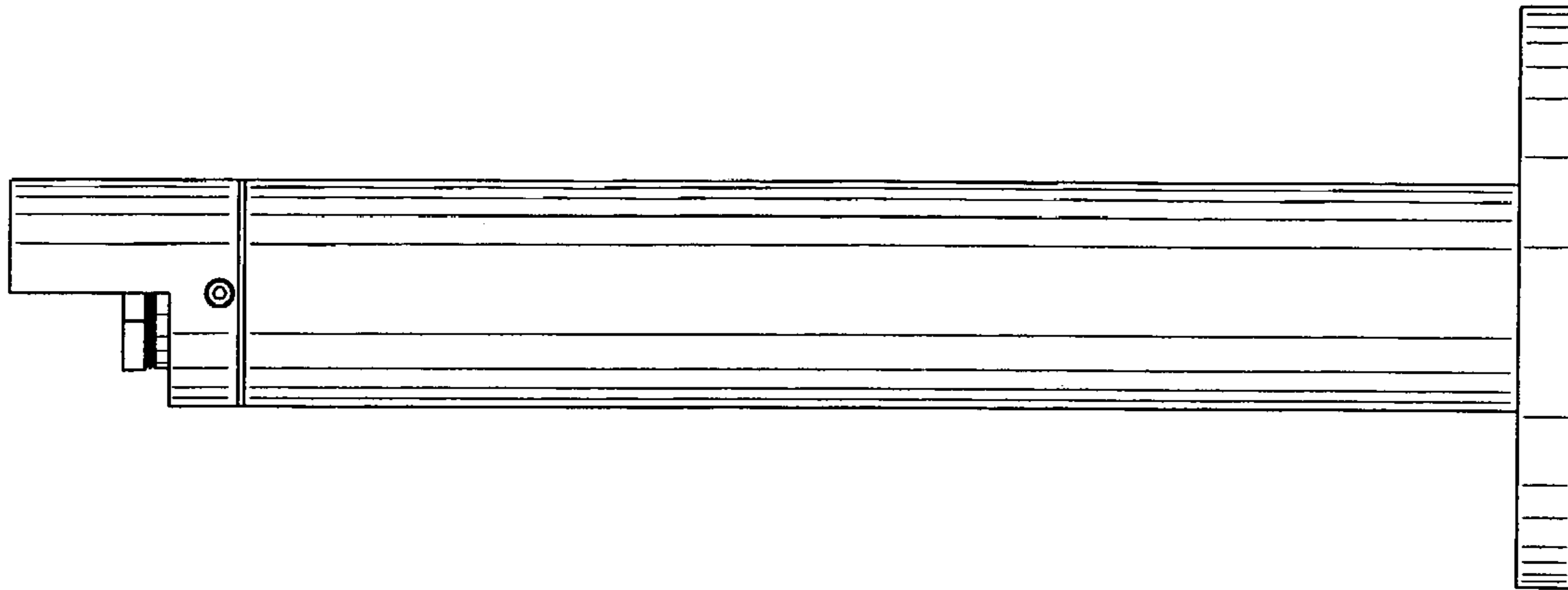


FIG. 4

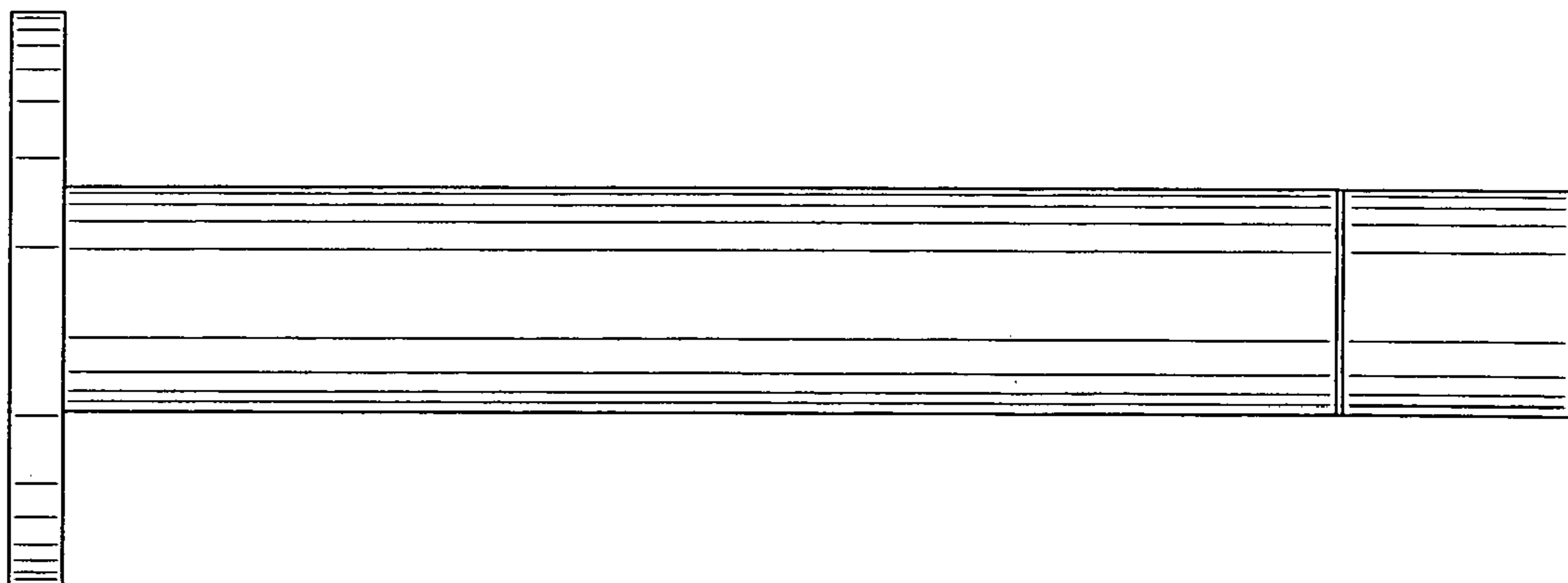


FIG. 5

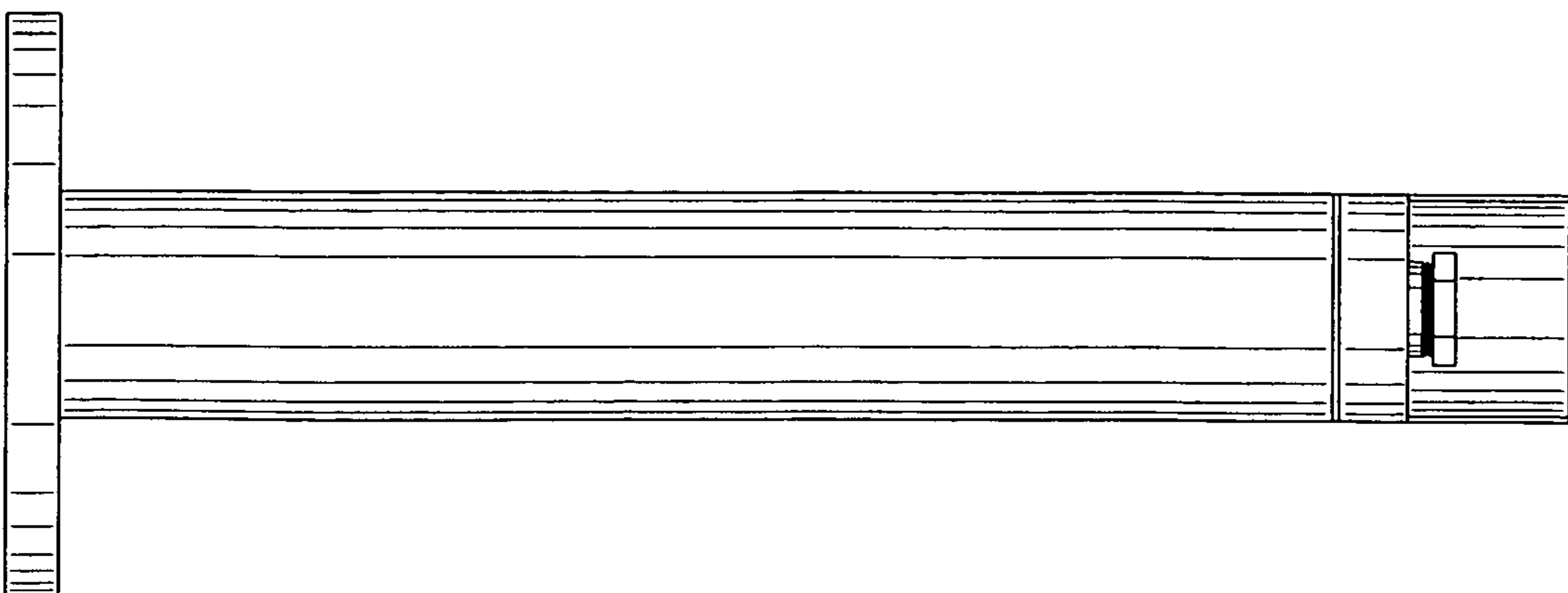


FIG. 6

