



US00D550575S

(12) **United States Design Patent**  
**Petrucelli et al.**

(10) **Patent No.:** **US D550,575 S**

(45) **Date of Patent:** **\*\* Sep. 11, 2007**

(54) **WEIGHING SCALE**

D538,190 S \* 3/2007 Aglassinger ..... D10/92

(75) Inventors: **Steven Petrucelli**, Cranbury, NJ (US);  
**Mark Kuskovsky**, Florham Park, NJ (US)

\* cited by examiner

*Primary Examiner*—Antoine D. Davis

(74) *Attorney, Agent, or Firm*—Plevy, Howard & Darcy, PC

(73) Assignee: **Measurement Limited**

(57) **CLAIM**

(\*\*) Term: **14 Years**

The ornamental design for a weighing scale, as shown and described.

(21) Appl. No.: **29/271,189**

(22) Filed: **Jan. 11, 2007**

**DESCRIPTION**

(51) **LOC (8) Cl.** ..... **10-04**

FIG. 1 is a perspective view of a weighing scale showing our new design;

(52) **U.S. Cl.** ..... **D10/92**

FIG. 2 is a top view thereof;

(58) **Field of Classification Search** ..... D10/91,  
D10/92; 177/25.12–25.18, 238–245, 177,  
177/126, 1, 181, 210 R, 210 C, 25, 30, 127,  
177/DIG. 3; 600/506, 547

FIG. 3 is a bottom view thereof;

FIG. 4 is a right-side elevational view thereof, an elevational view of the left side being a mirror image;

See application file for complete search history.

FIG. 5 is a front view thereof; and,

FIG. 6 is a rear view thereof.

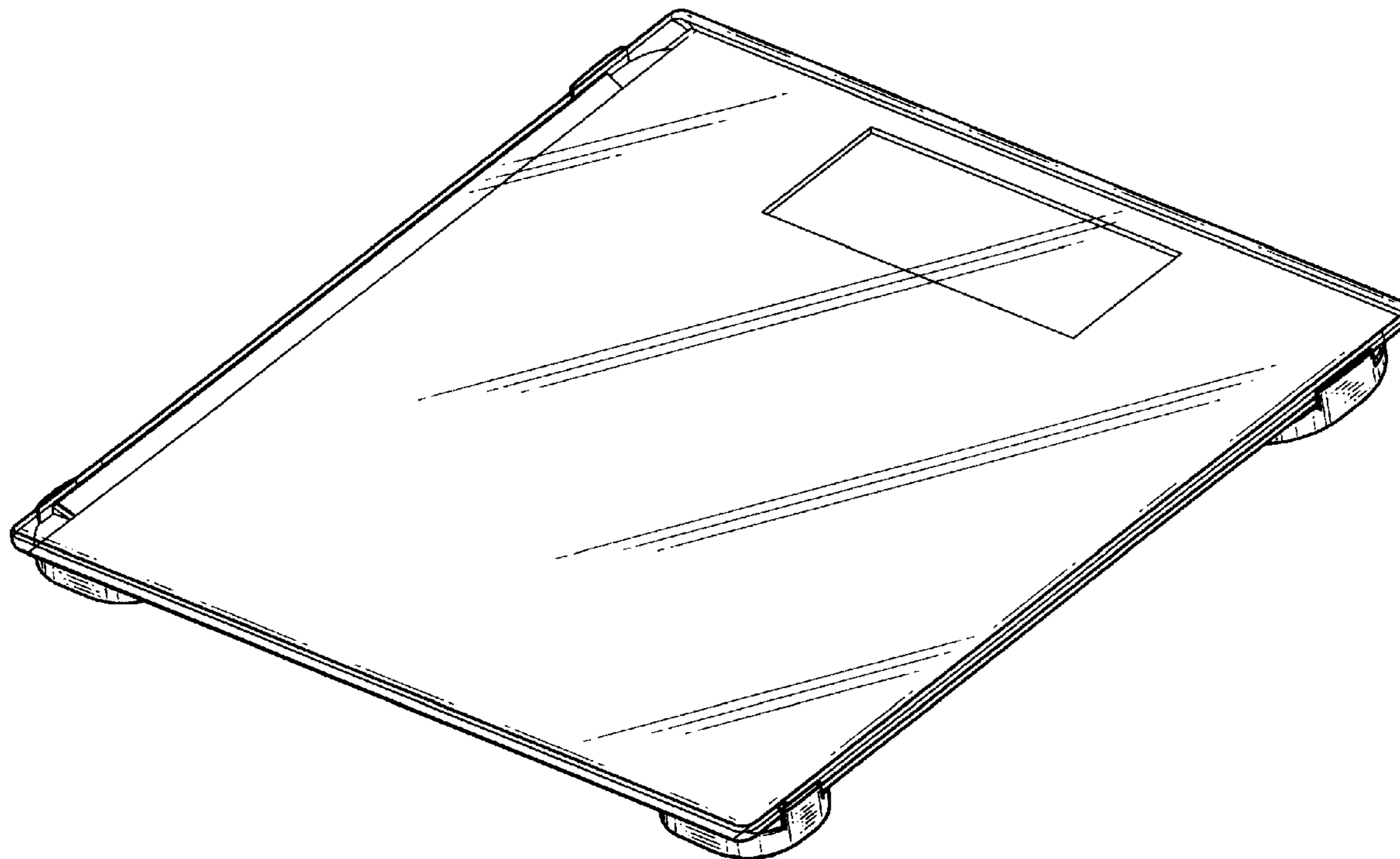
(56) **References Cited**

The portions shown in dashed lines form no part of the claimed design.

**U.S. PATENT DOCUMENTS**

D526,230 S \* 8/2006 Aglassinger ..... D10/92  
7,100,439 B2 \* 9/2006 Carlucci ..... 177/200

**1 Claim, 5 Drawing Sheets**



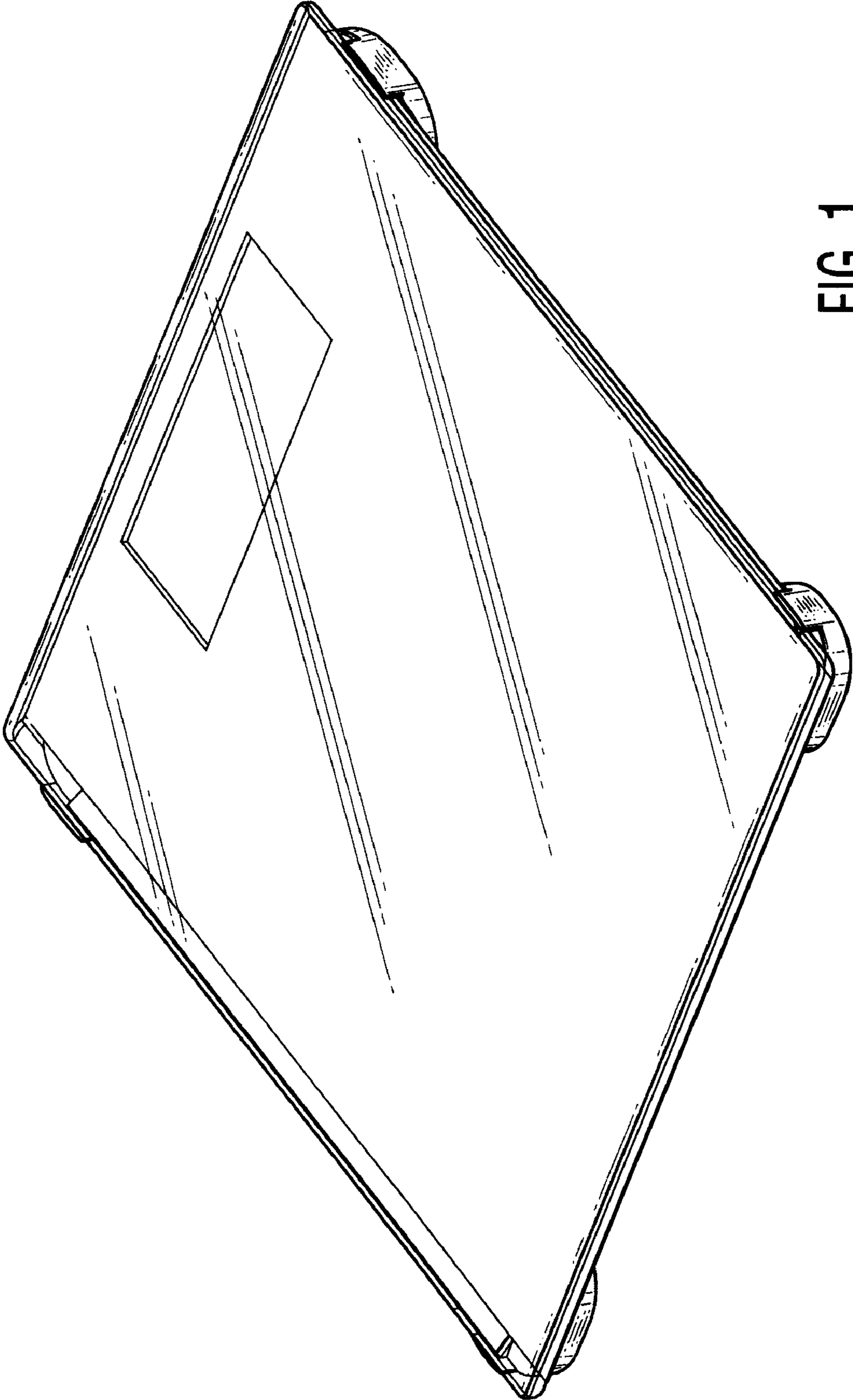


FIG. 1

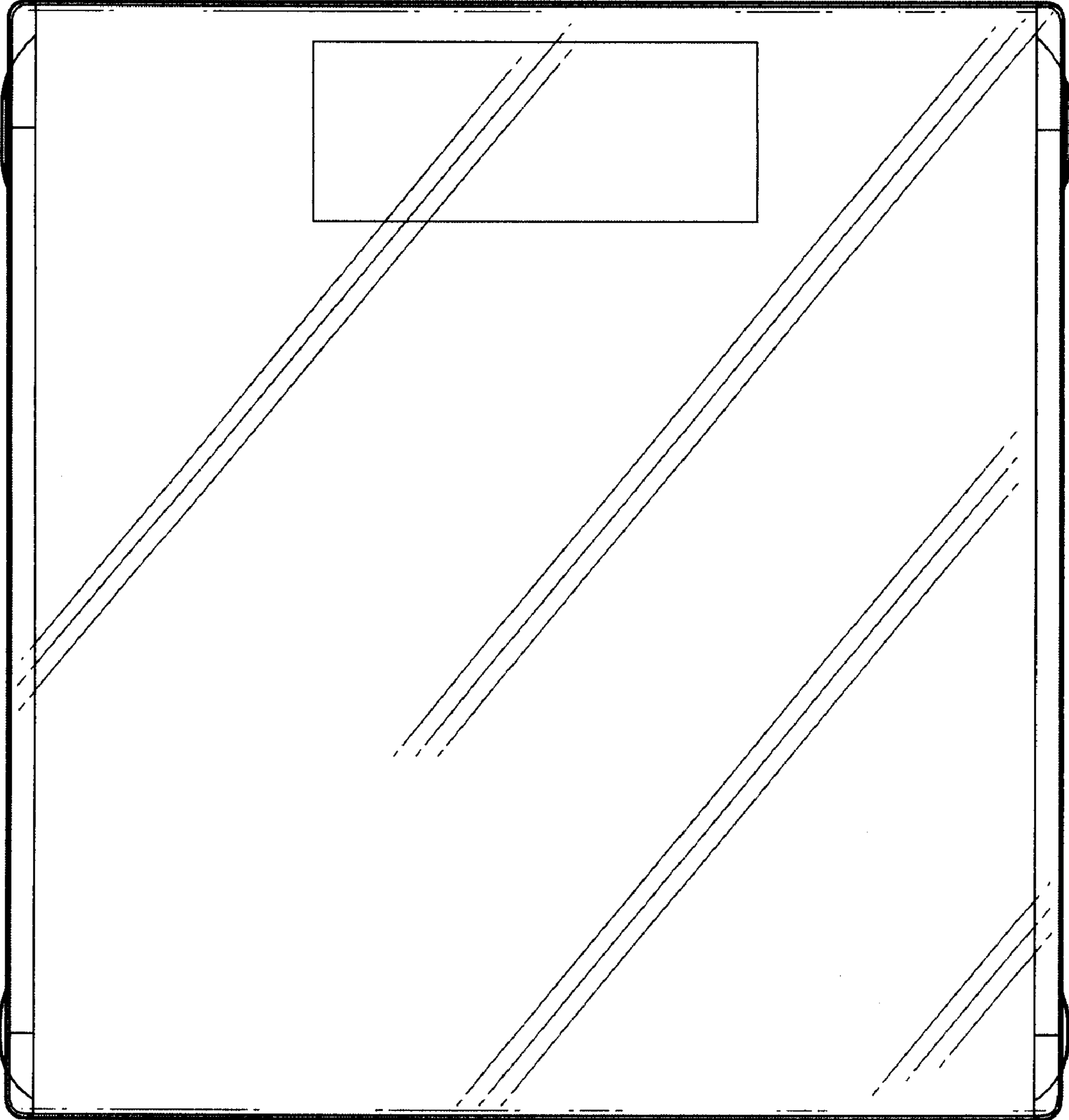


FIG. 2

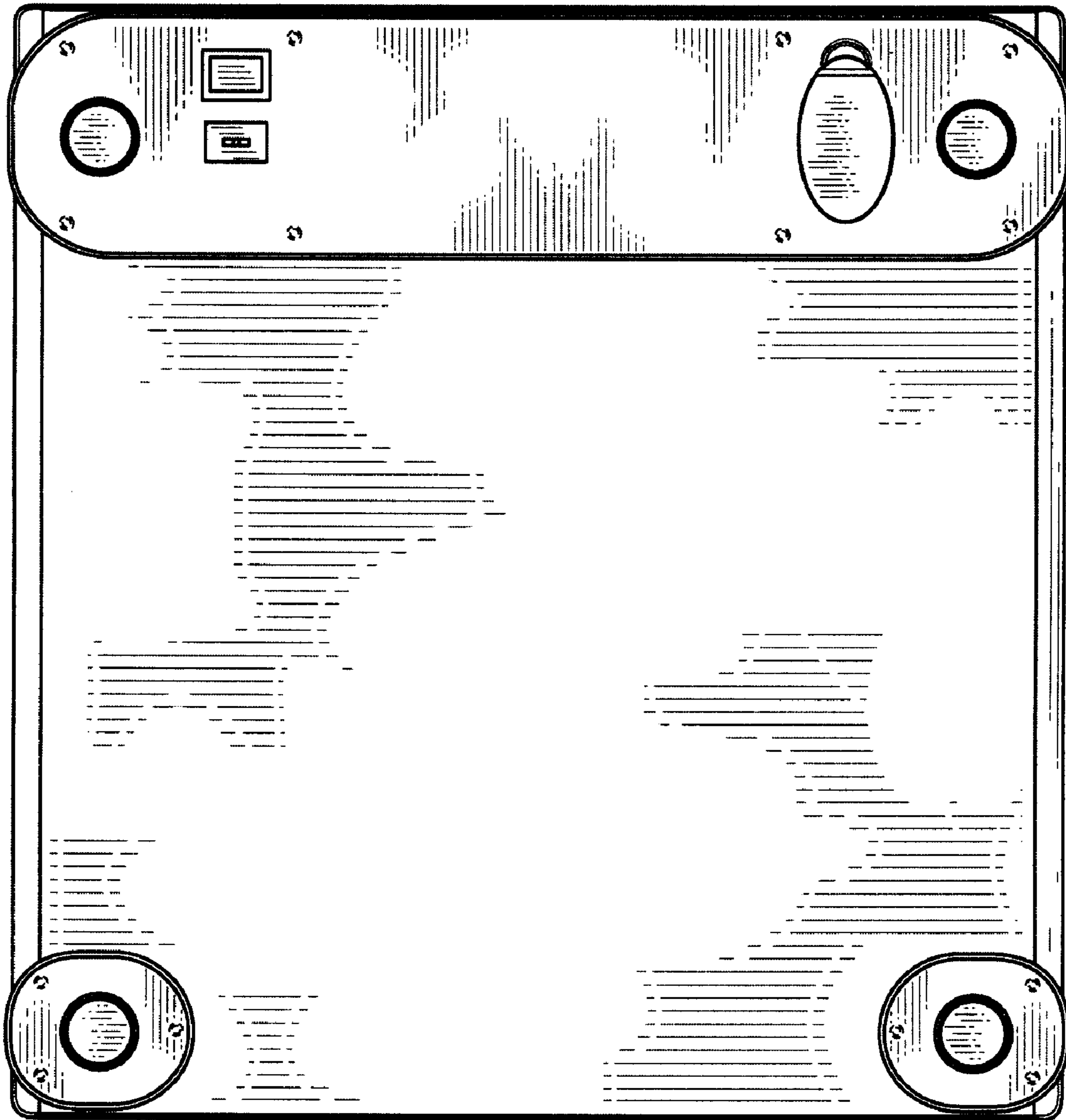


FIG. 3



FIG. 4

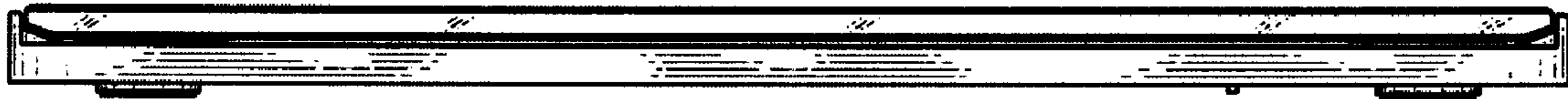


FIG. 5

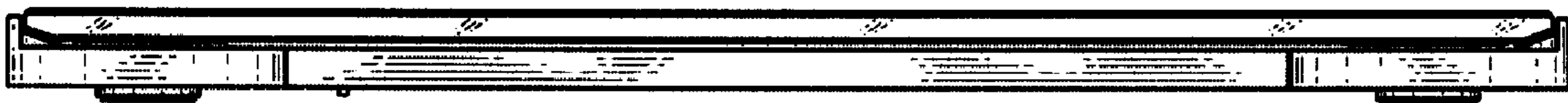


FIG. 6