



US00D550574S

(12) **United States Design Patent** (10) **Patent No.:** **US D550,574 S**
Barmes et al. (45) **Date of Patent:** **** Sep. 11, 2007**

(54) **HINGED TOP POCKET SCALE**
(75) Inventors: **Dustin P. Barmes**, Vincennes, IN (US);
Gregory P. Barmes, Vincennes, IN
(US); **Nathan L. Barmes**, Vincennes,
IN (US)

(73) Assignee: **Awesome Wholesale**, Vincennes, IN
(US)

(**) Term: **14 Years**

(21) Appl. No.: **29/276,948**

(22) Filed: **Feb. 9, 2007**

(51) **LOC (8) Cl.** **10-04**

(52) **U.S. Cl.** **D10/91**

(58) **Field of Classification Search** D10/91,
D10/92; 177/25.12-25.18, 238-245, 177,
177/126, 1, 181, 210 R, 210 C, 25, 30, 127,
177/DIG. 3; 600/506, 547

See application file for complete search history.

(56) **References Cited**

U.S. PATENT DOCUMENTS

D422,231 S	4/2000	Chiu	
D448,316 S	9/2001	Kesselman	
D455,092 S	4/2002	Kesselman	
D470,782 S	2/2003	Motomizu	
D472,833 S *	4/2003	Thadani D10/91
6,600,110 B1 *	7/2003	Thadani et al. 177/126
D478,826 S	8/2003	Barmes	
D489,014 S	4/2004	Schwamkrug	
D492,609 S	7/2004	Sato	
D498,156 S	11/2004	Lee	
D518,398 S *	4/2006	Kesselman D10/91

D519,048 S *	4/2006	Kesselman D10/91
D520,891 S *	5/2006	Motomizu et al. D10/91
D521,889 S *	5/2006	Kesselman D10/91
D521,890 S *	5/2006	Motomizu et al. D10/91
D523,365 S	6/2006	Kajimoto et al.	
D524,671 S	7/2006	Huang	
D531,074 S *	10/2006	Malhi D10/91
D533,798 S	12/2006	Kesselman	

* cited by examiner

Primary Examiner—Antoine D. Davis

(74) *Attorney, Agent, or Firm*—Brinks Hofer Gilson & Lione

(57) **CLAIM**

The ornamental design for a hinged top pocket scale, as shown and described.

DESCRIPTION

FIG. 1 is a front elevation view of a slide top pocket scale of the present invention.

FIG. 2 is a back elevation view of the scale shown in FIG. 1.

FIG. 3 is an elevation view from the right side of FIG. 1.

FIG. 4 is an elevation view from the left side of FIG. 1.

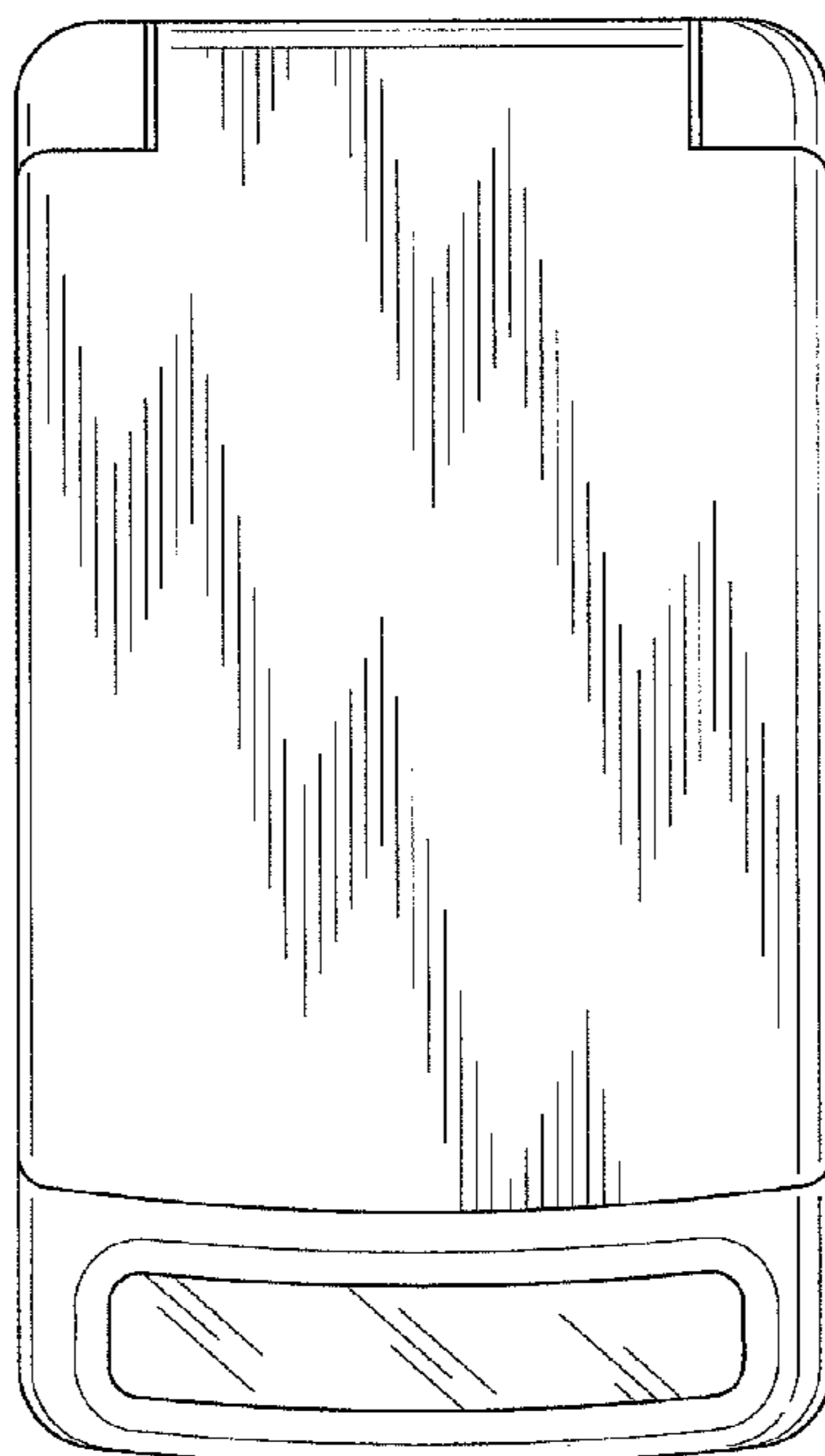
FIG. 5 is a bottom plan view of the scale shown in FIG. 1.

FIG. 6 is a top plan view of the scale shown in FIG. 1.

FIG. 7 is a perspective view of the scale as viewed from the lower right of FIG. 1; and,

FIG. 8 is a perspective view of the scale as viewed from the lower right of FIG. 1, with the hinged top moved to reveal a weighing surface.

1 Claim, 6 Drawing Sheets



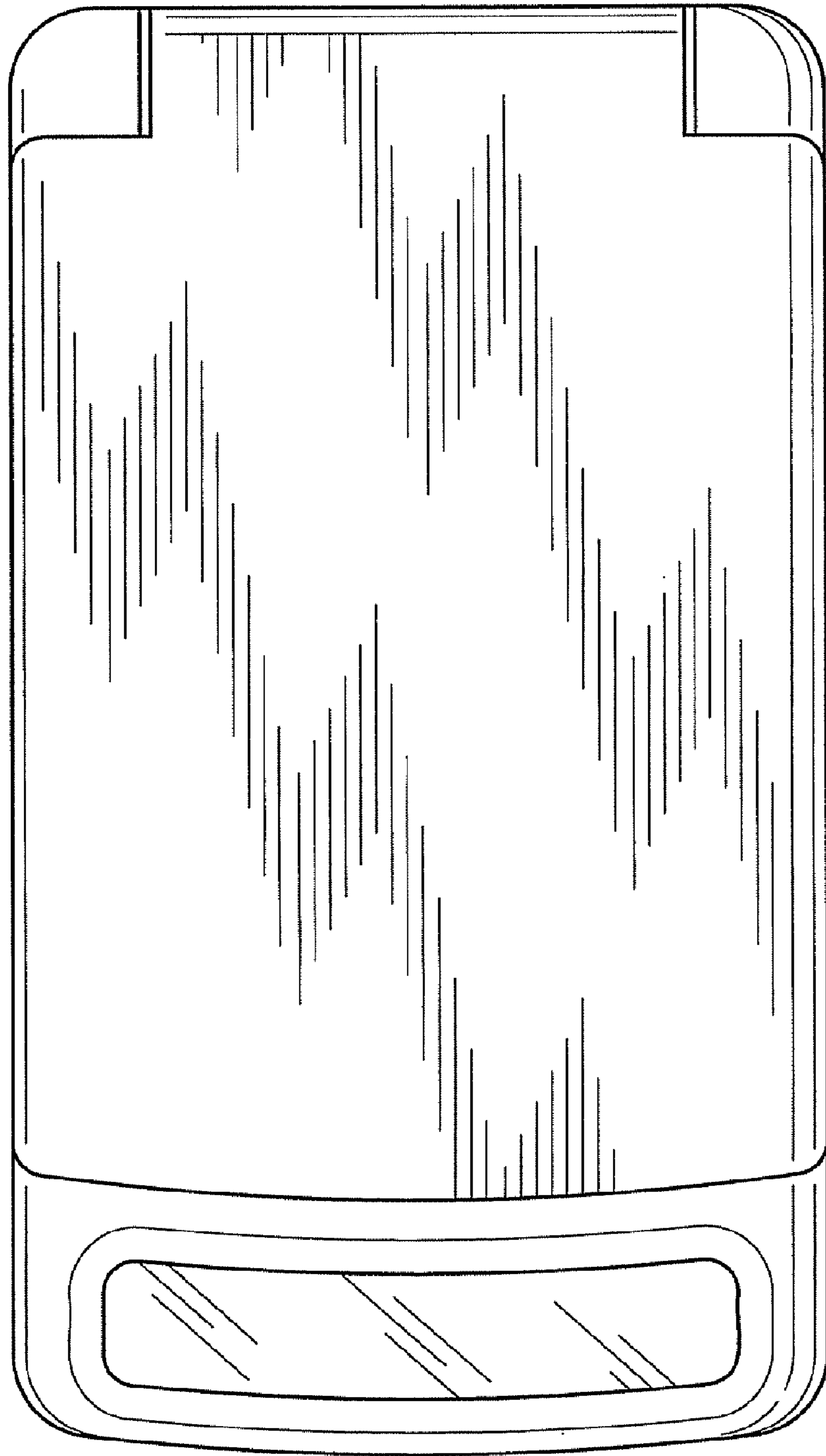


Fig. 1

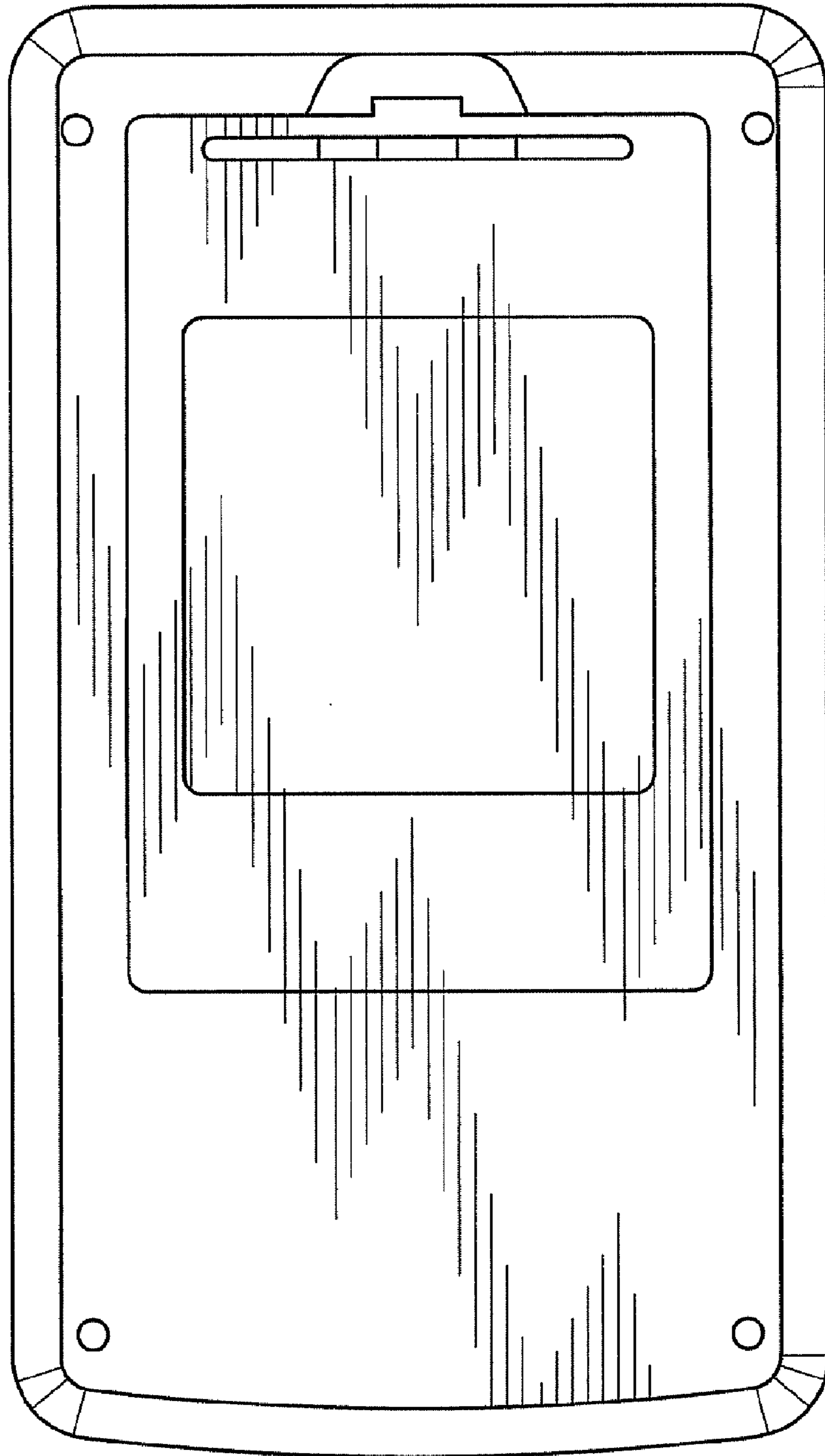


Fig. 2

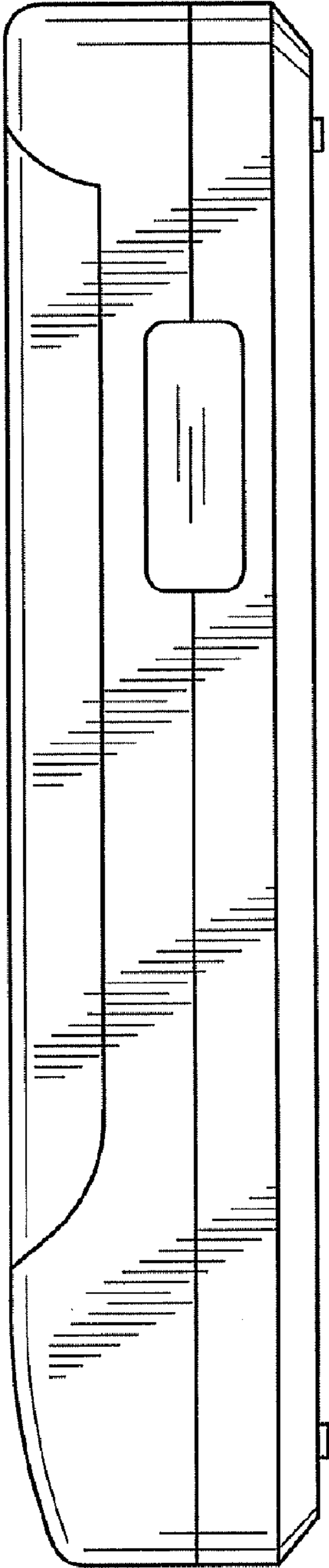


Fig. 3

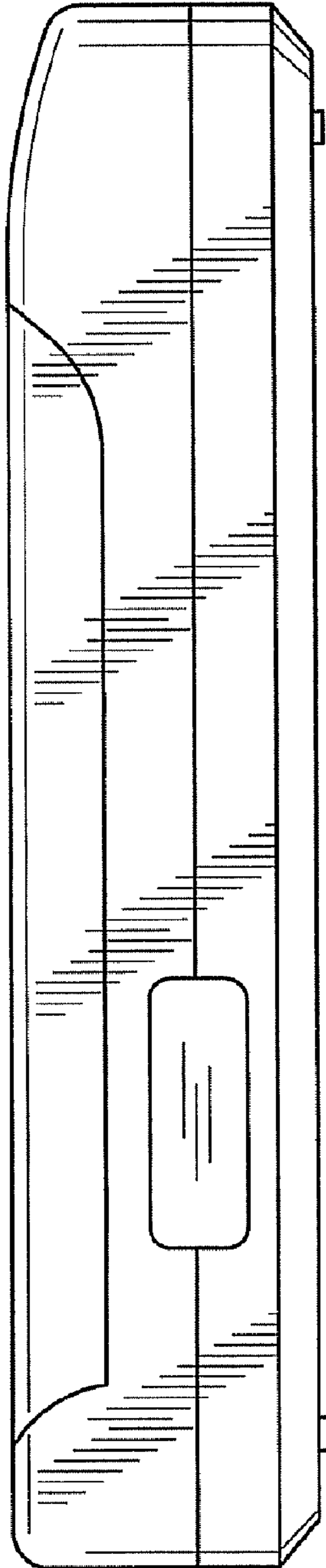


Fig. 4

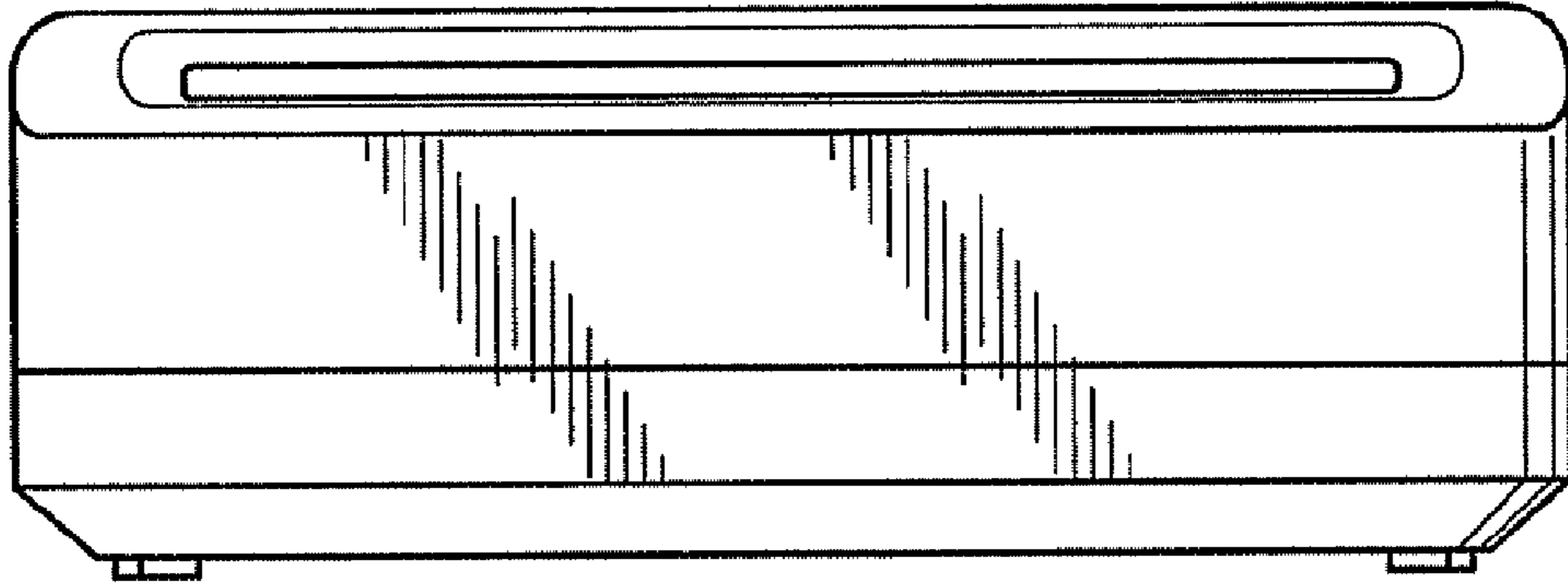


Fig. 5

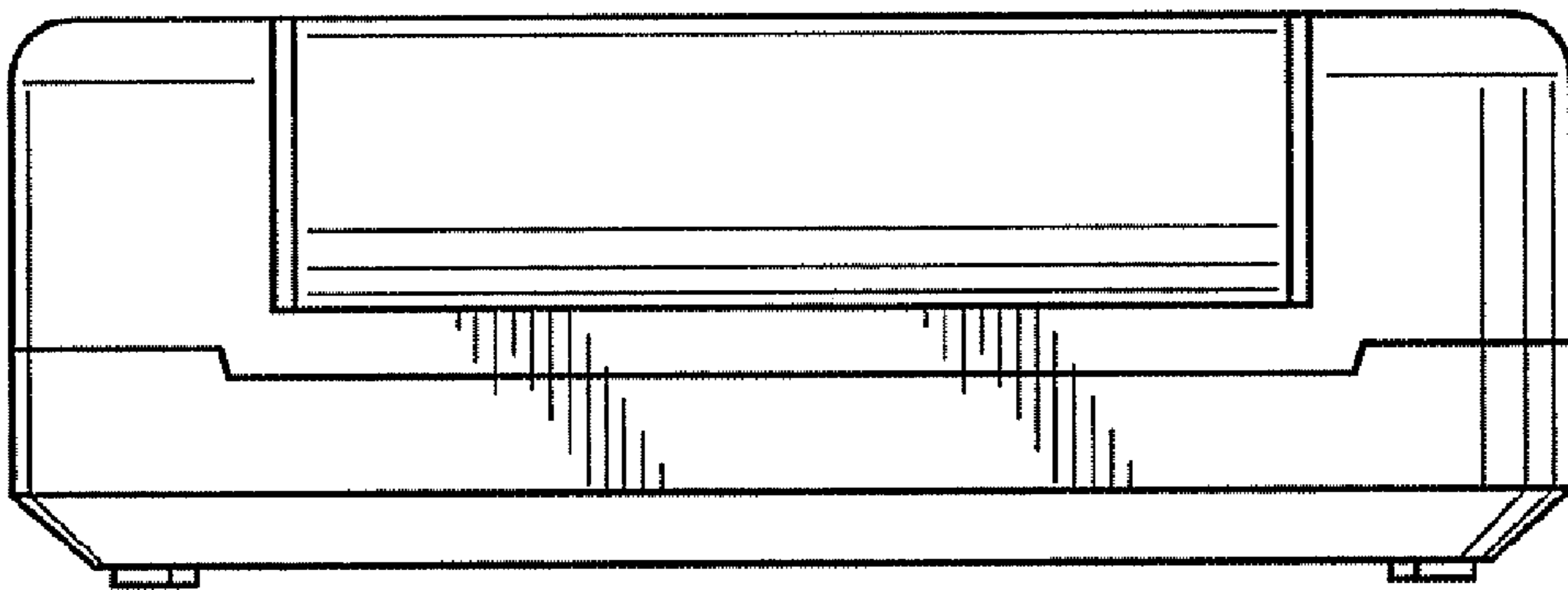


Fig. 6

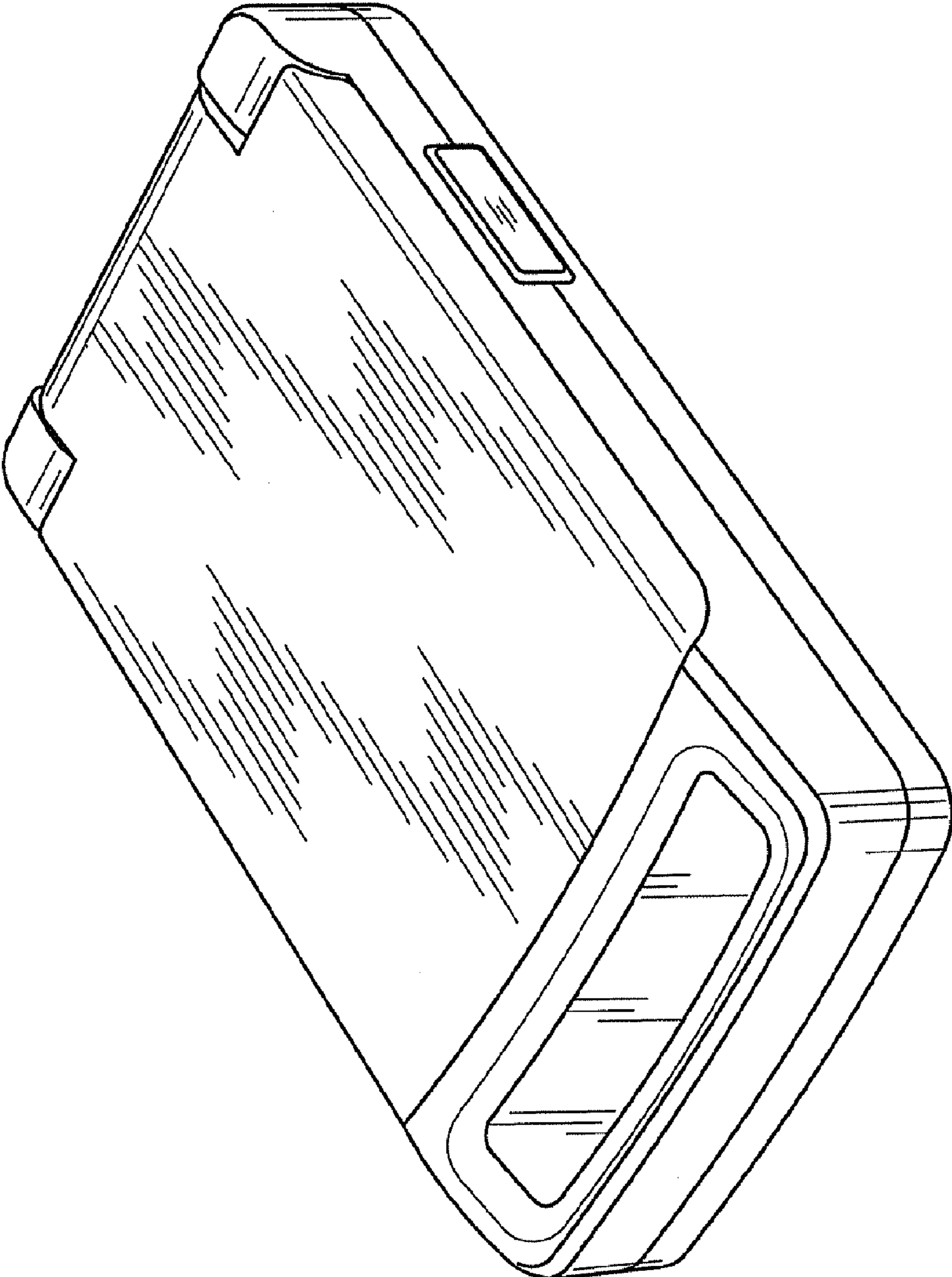


Fig. 7

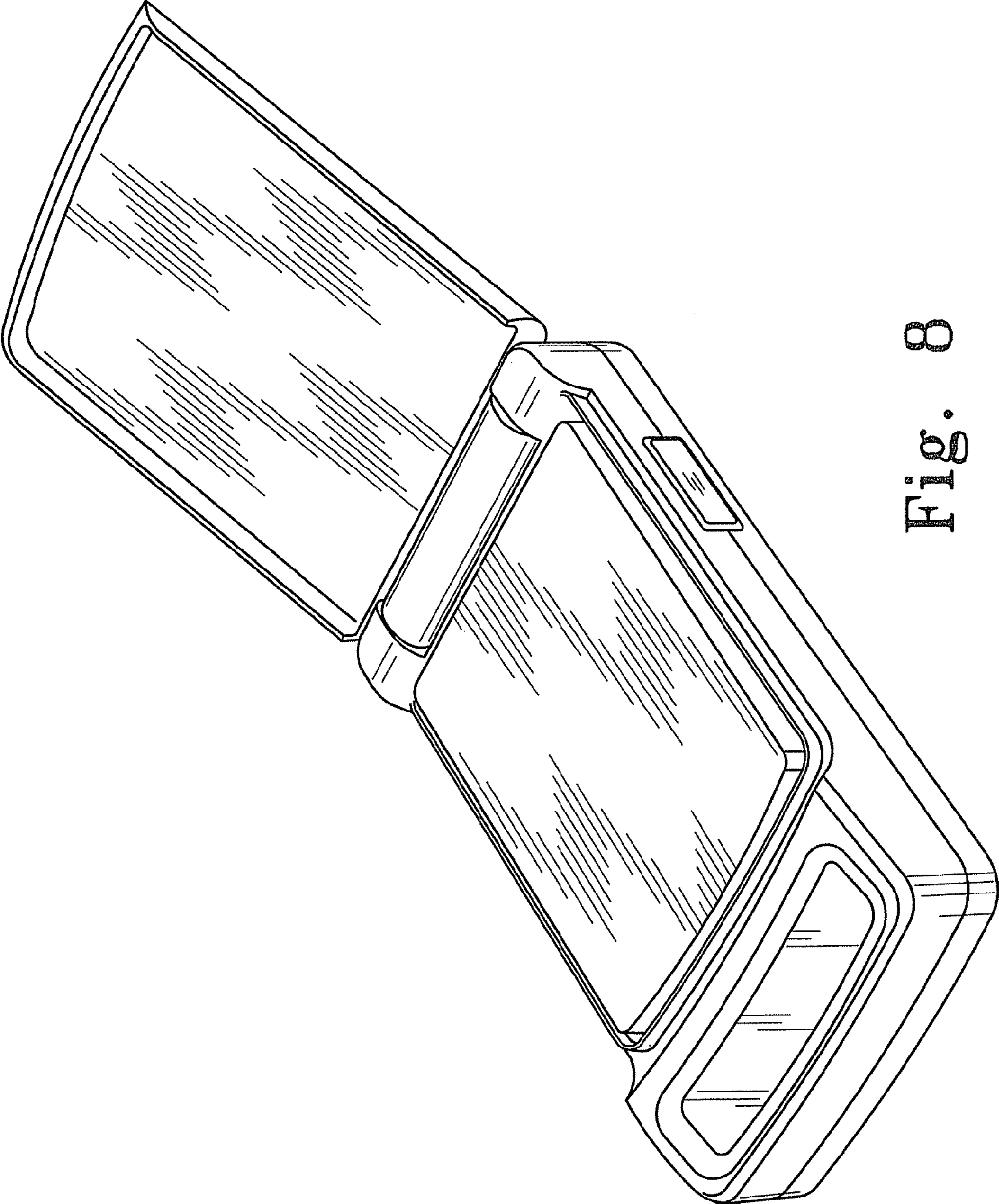


Fig. 8