



US00D550557S

(12) **United States Design Patent**
Vogel

(10) **Patent No.:** **US D550,557 S**

(45) **Date of Patent:** **** Sep. 11, 2007**

(54) **CLOSURE FOR A CONTAINER**

(75) Inventor: **William C. Vogel**, Mequon, WI (US)

(73) Assignee: **Gateway Plastics, Inc.**, Mequon, WI (US)

(**) Term: **14 Years**

(21) Appl. No.: **29/269,221**

(22) Filed: **Nov. 21, 2006**

Related U.S. Application Data

(63) Continuation of application No. 29/217,726, filed on Nov. 29, 2004, now Pat. No. Des. 532,298.

(51) **LOC (8) Cl.** **09-07**

(52) **U.S. Cl.** **D9/435; D9/440**

(58) **Field of Classification Search** D9/741, D9/738, 454, 449, 447, 435, 421, 420; 222/556, 222/483, 147.2; 220/838, 826, 822, 810; 215/316, 200

See application file for complete search history.

(56) **References Cited**

U.S. PATENT DOCUMENTS

1,676,998	A *	7/1928	Mediati	215/316
4,723,693	A *	2/1988	DeCoster	222/483
RE37,634	E *	4/2002	Hickman et al.	220/826
6,691,901	B2 *	2/2004	Parve et al.	222/556
D509,426	S *	9/2005	Samz et al.	D9/447

D513,452	S *	1/2006	Parve	D9/447
2004/0089678	A1 *	5/2004	Martin	222/556
2006/0151512	A1 *	7/2006	Van Heugten et al.	220/826

* cited by examiner

Primary Examiner—Robert M. Spear

Assistant Examiner—Susan Bennett Hattan

(74) *Attorney, Agent, or Firm*—Foley & Lardner LLP

(57) **CLAIM**

We claim the ornamental design for a closure for a container, as shown and described.

DESCRIPTION

FIG. 1 is a top perspective view of a closure for a container;

FIG. 2 is a top perspective view of the design of FIG. 1;

FIG. 3 is a bottom perspective view of the design of FIG. 1;

FIG. 4 is a bottom perspective view of the design of FIG. 1;

FIG. 5 is a top view of the design of FIG. 1;

FIG. 6 is a bottom view of the design of FIG. 1;

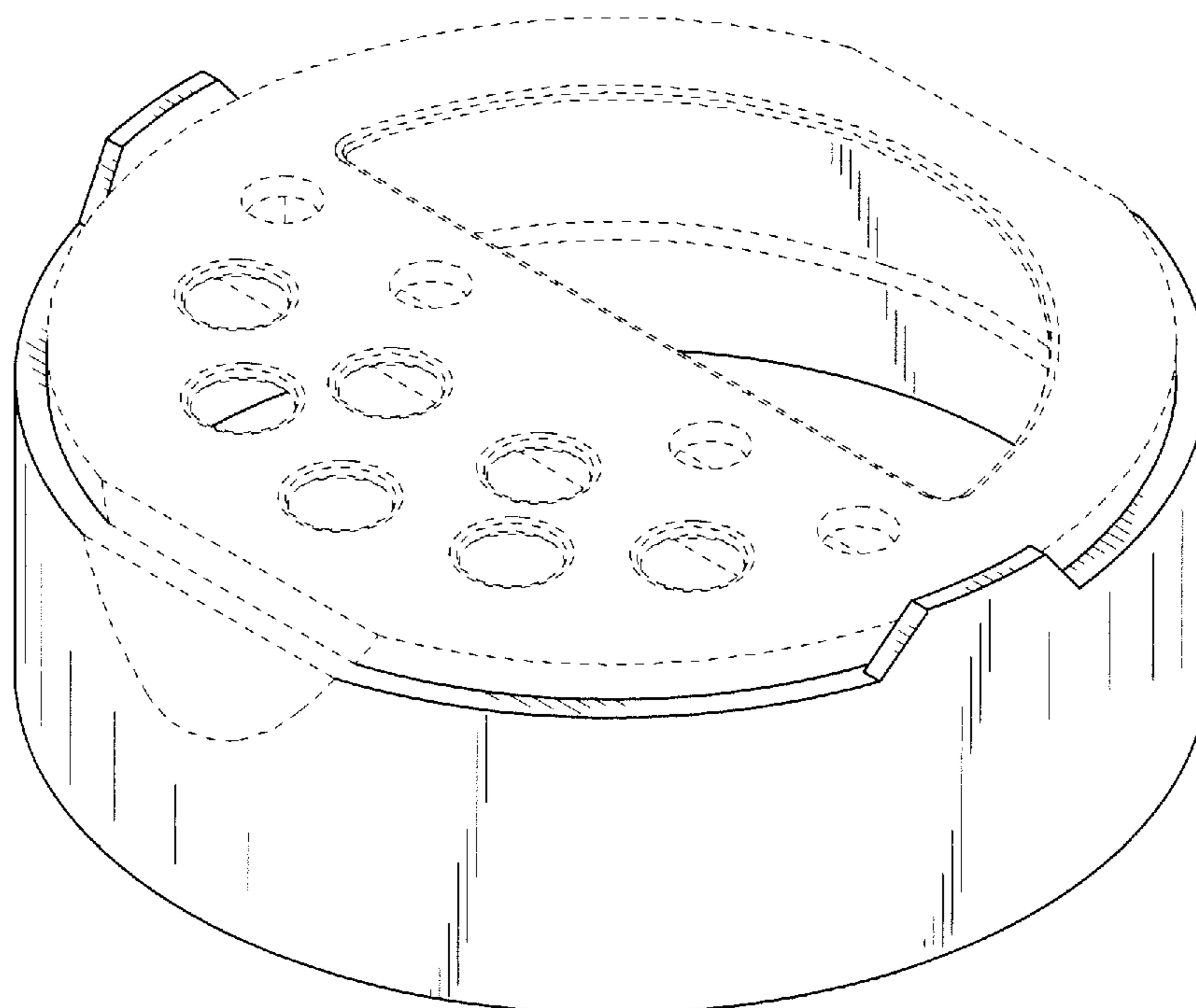
FIG. 7 is a right side view of the design of FIG. 1, the left side view being a mirror image;

FIG. 8 is a front view of the design of FIG. 1; and,

FIG. 9 is a rear view of the design of FIG. 1.

The broken lines in the drawings are for illustrative purposes only and form no part of the claimed design.

1 Claim, 7 Drawing Sheets



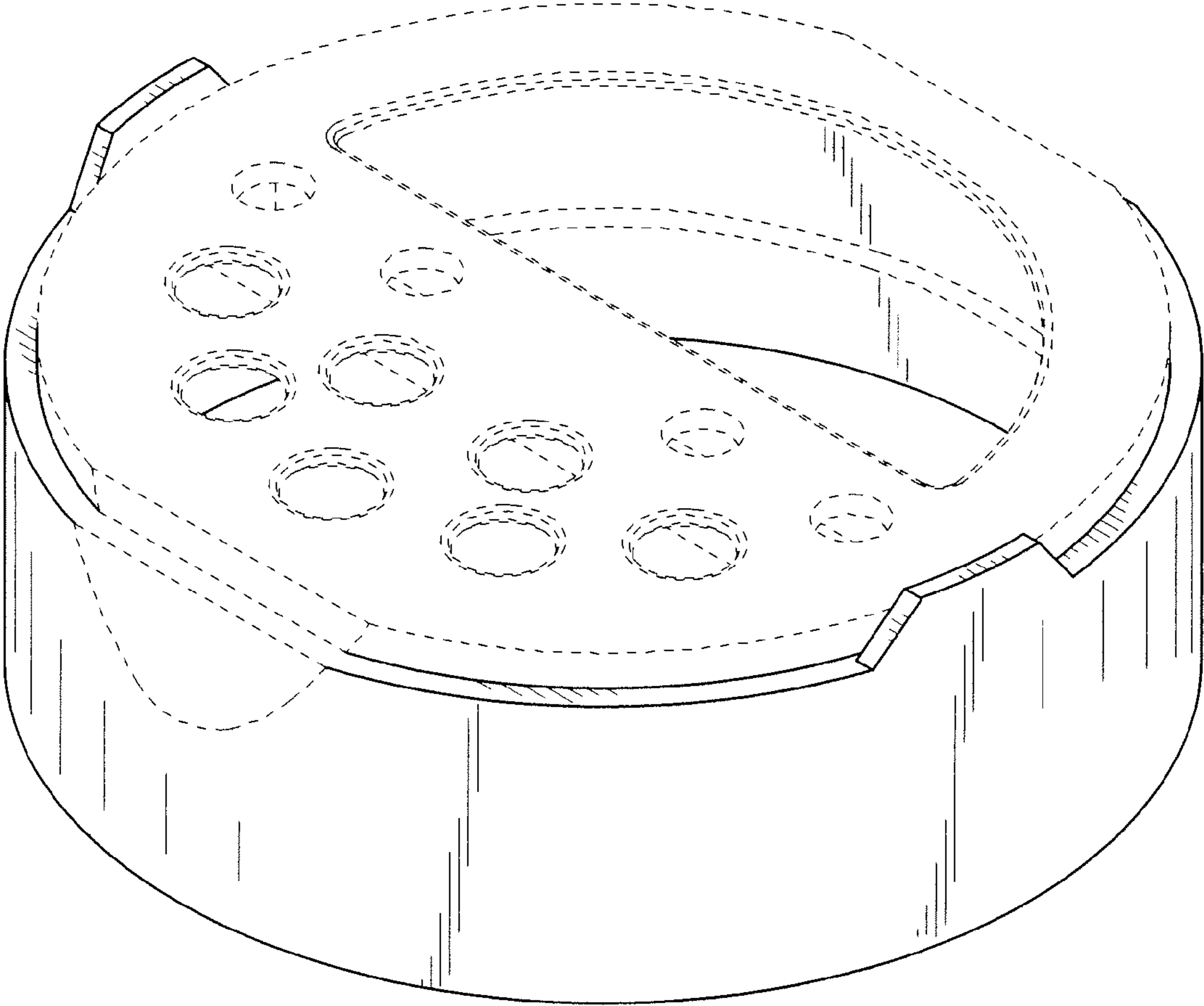


FIGURE 1

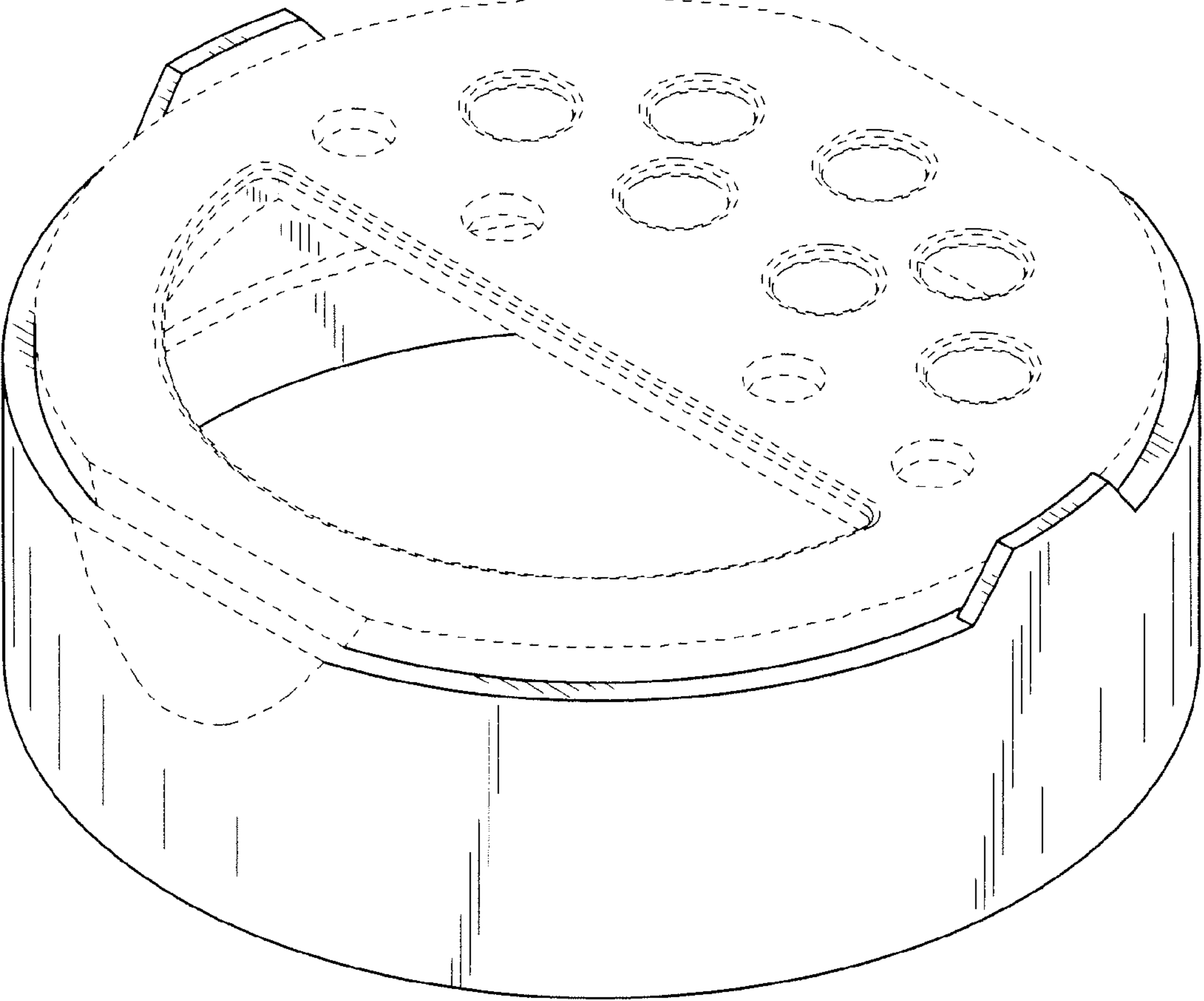


FIGURE 2

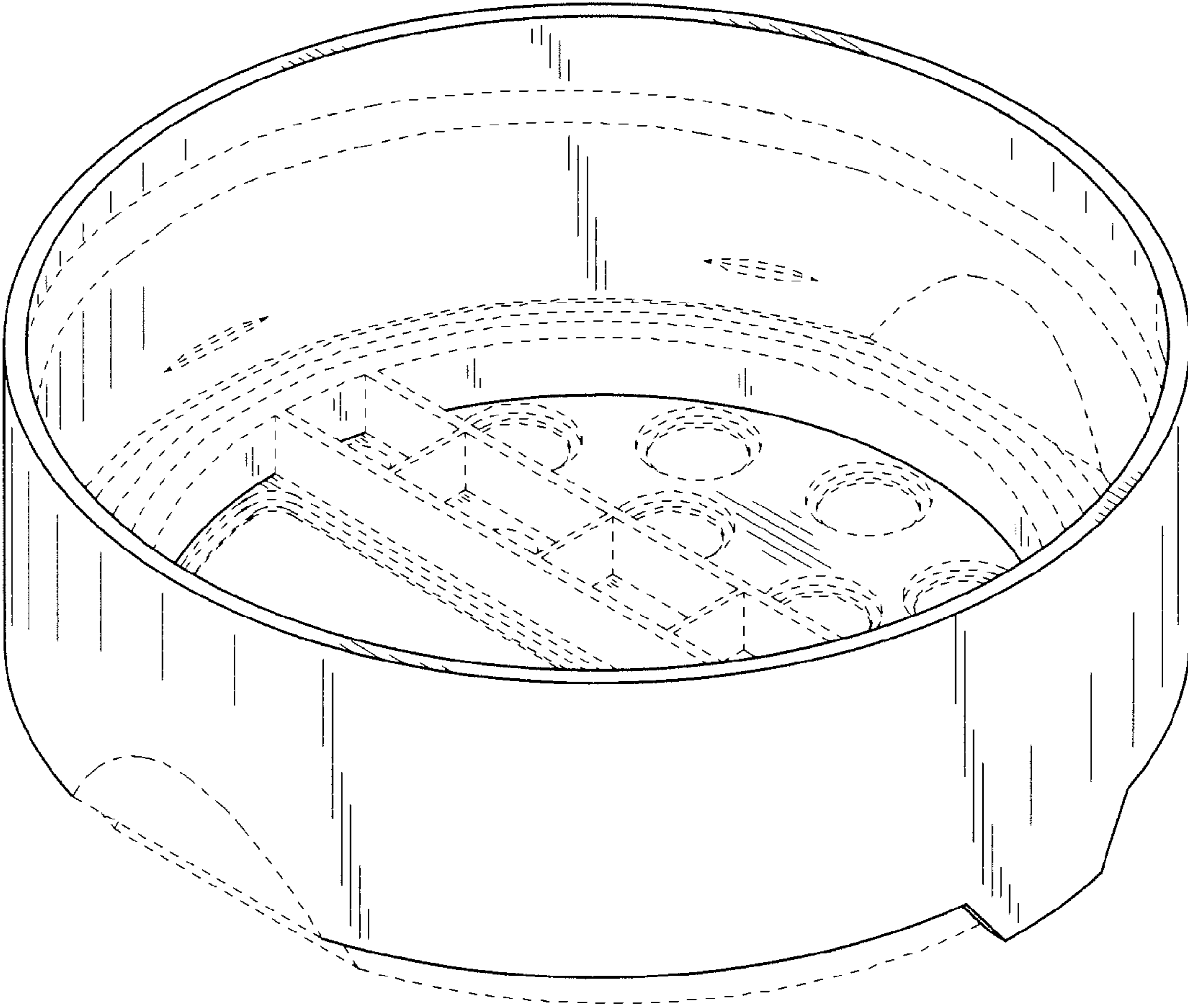


FIGURE 3

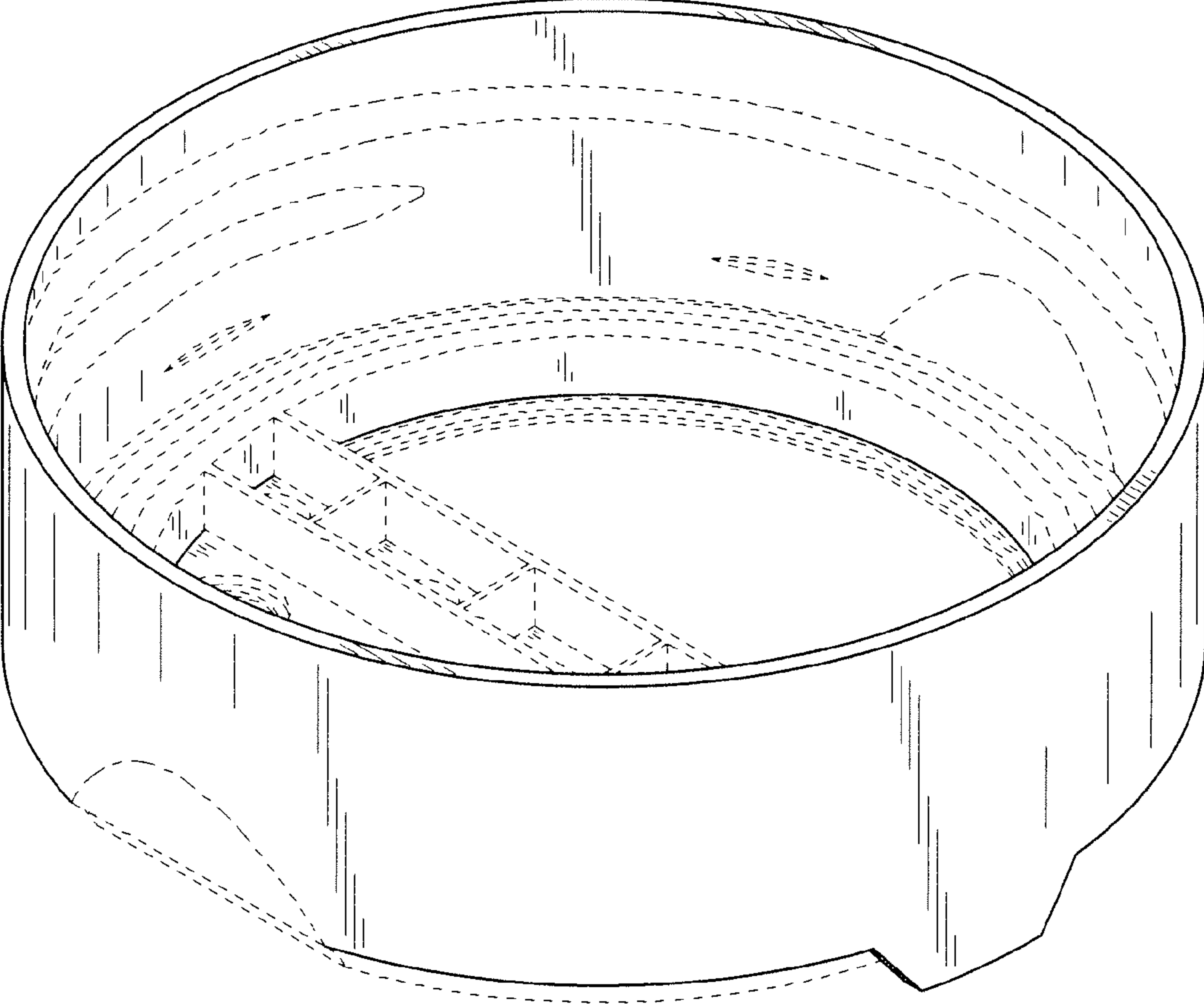


FIGURE 4

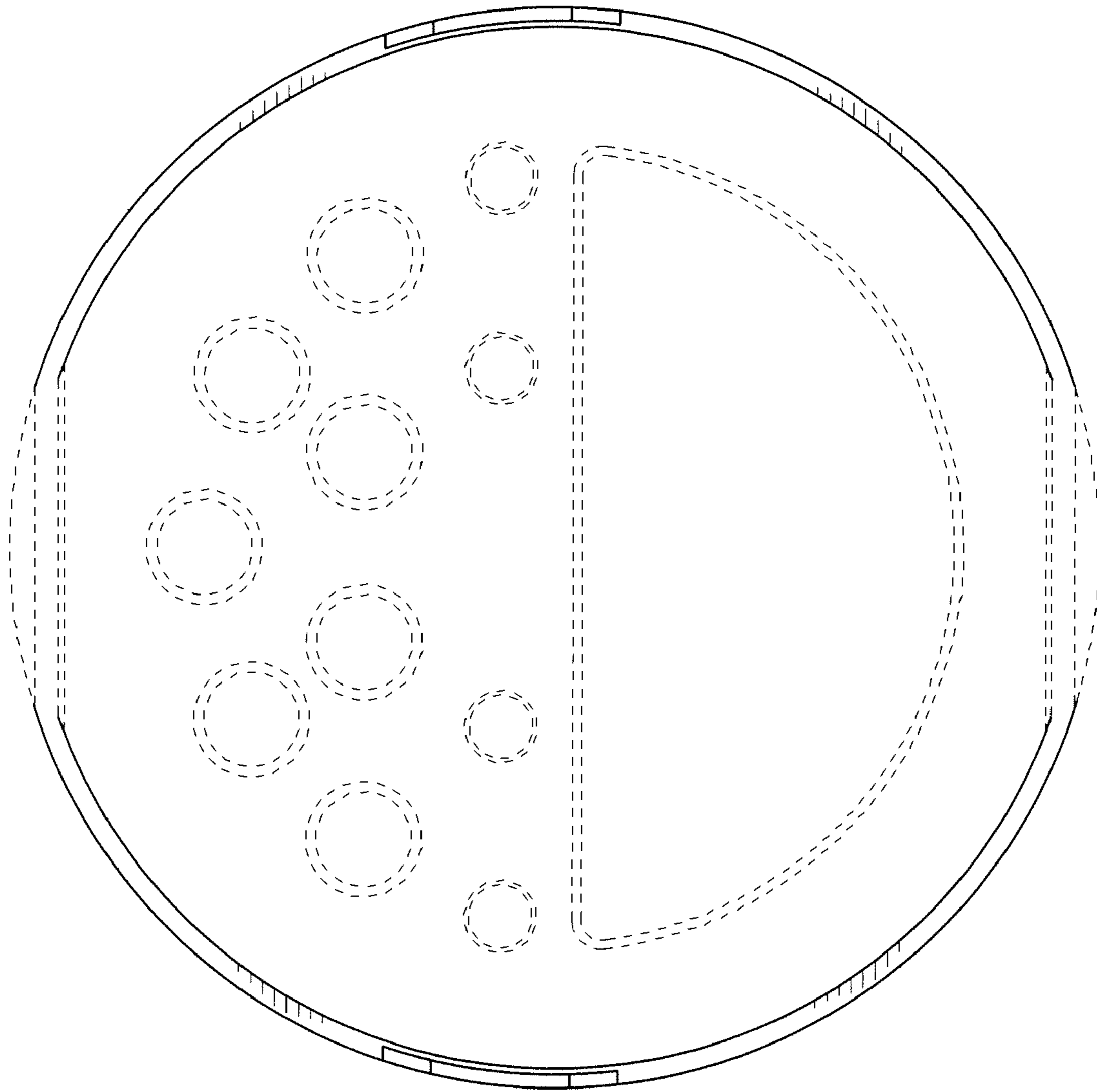


FIGURE 5

FIGURE 6

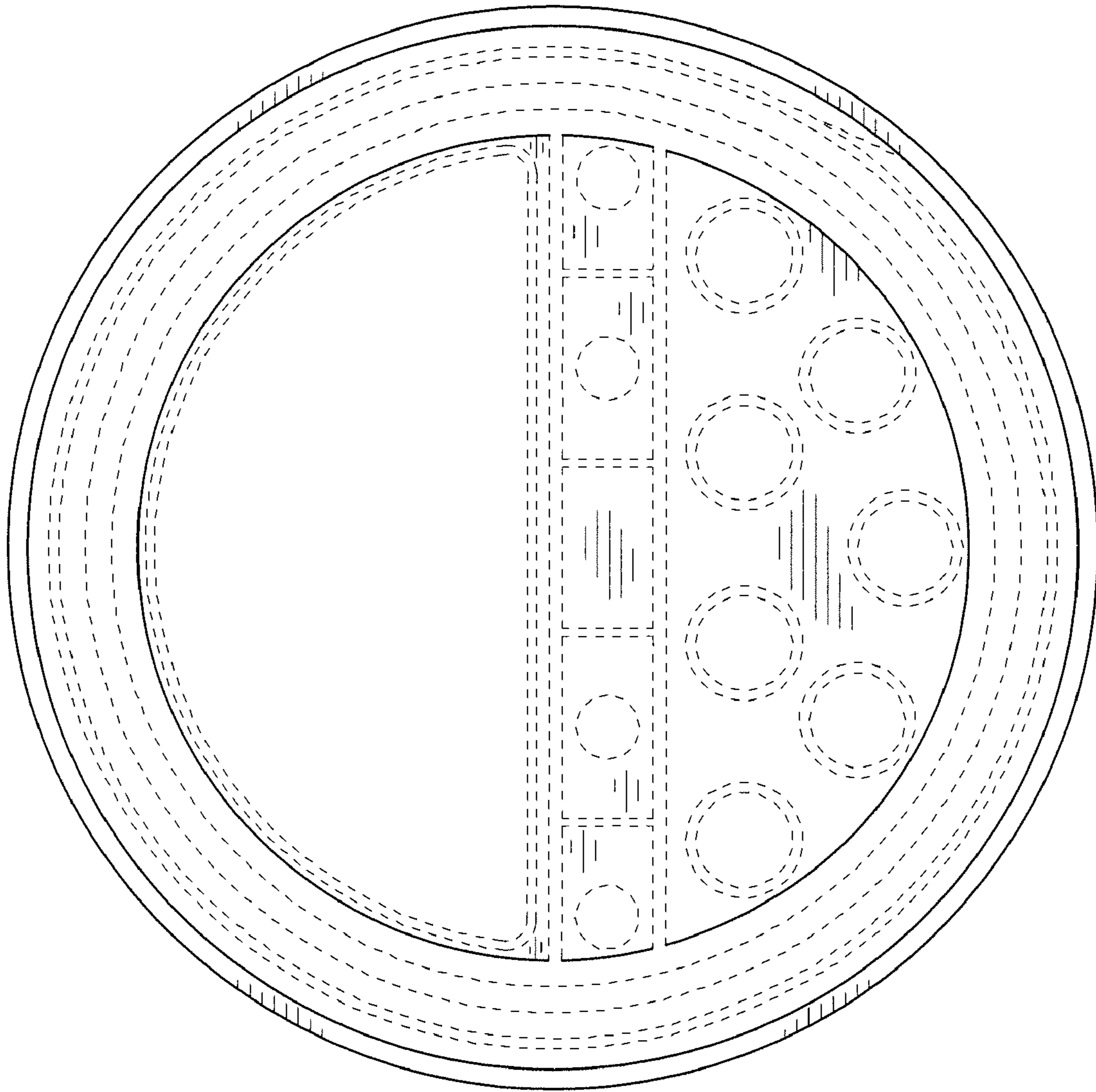


FIGURE 7

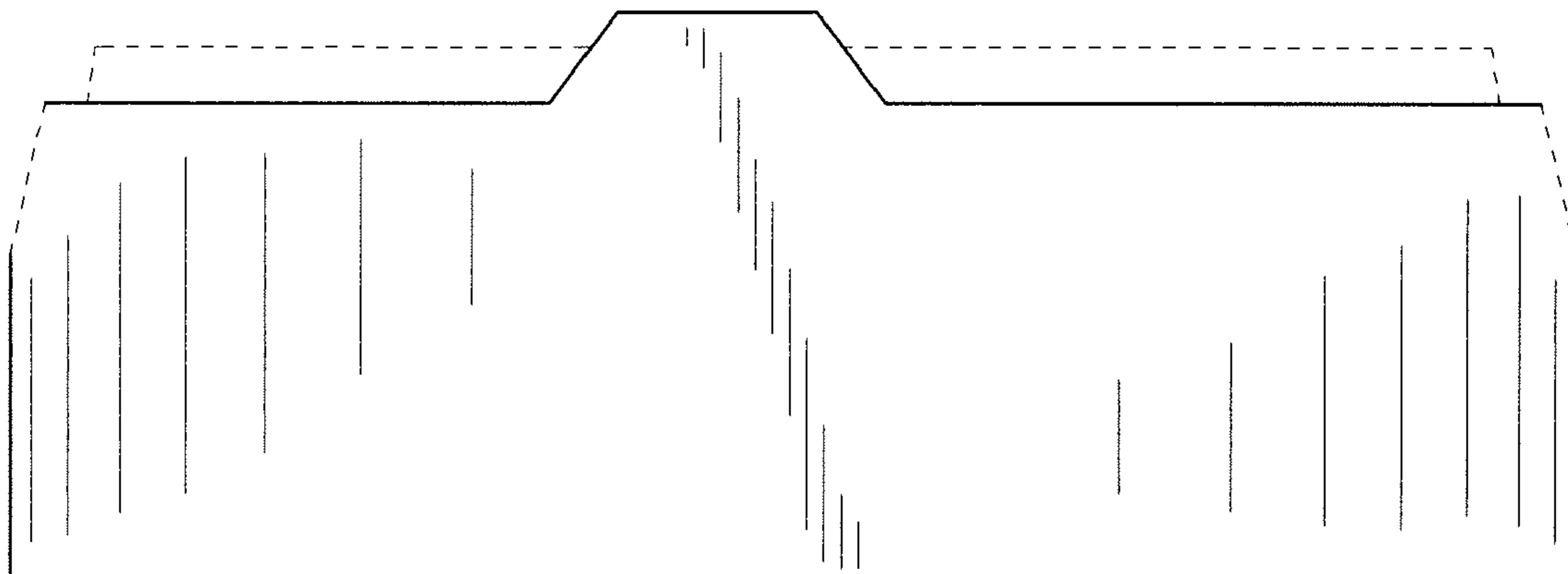


FIGURE 8

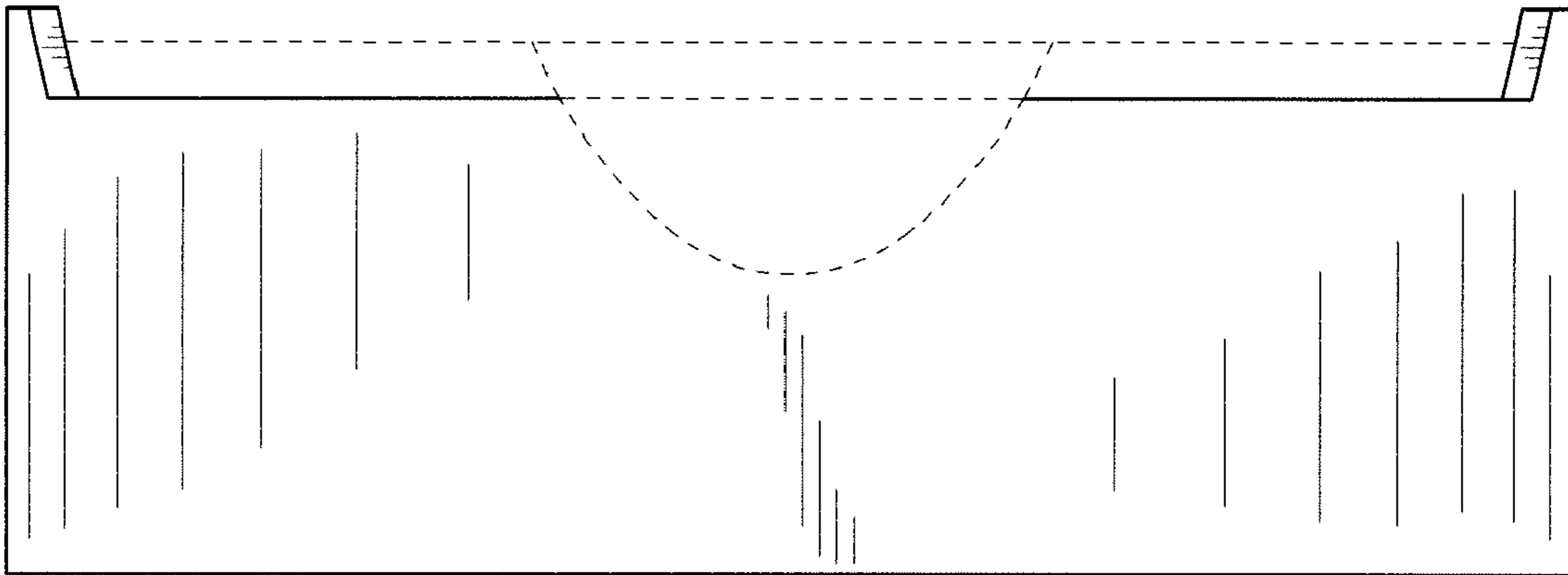


FIGURE 9

