



US00D550554S

(12) **United States Design Patent**
Ledbetter et al.

(10) **Patent No.: US D550,554 S**

(45) **Date of Patent: ** Sep. 11, 2007**

(54) **PRODUCT PACKAGING**

D432,911 S * 10/2000 Clarke et al. D9/415
D505,068 S * 5/2005 Cunningham et al. D9/415

(75) Inventors: **Carl J. Ledbetter**, Mercer Island, WA (US); **John Ikeda**, Seattle, WA (US); **John Dan Mabry**, Seattle, WA (US)

* cited by examiner

(73) Assignee: **Microsoft Corporation**, Redmond, WA (US)

Primary Examiner—Louis S. Zarfaz
Assistant Examiner—Susan E Krakower
(74) *Attorney, Agent, or Firm*—Banner & Witcoff, Ltd.

(**) Term: **14 Years**

(57) **CLAIM**

(21) Appl. No.: **29/250,423**

The ornamental design for product packaging, as shown and described.

(22) Filed: **Nov. 14, 2006**

(51) **LOC (8) Cl.** **09-03**

(52) **U.S. Cl.** **D9/418**

(58) **Field of Classification Search** D9/414-433,
D9/457, 701, 737, 341-348, 560, 730-762,
D9/304, 227; 206/199, 428, 461-471, 495,
206/806, 468, 477; 229/122, 125, 11, 131.1,
229/117.16, 242; 220/425; D3/902-904
See application file for complete search history.

DESCRIPTION

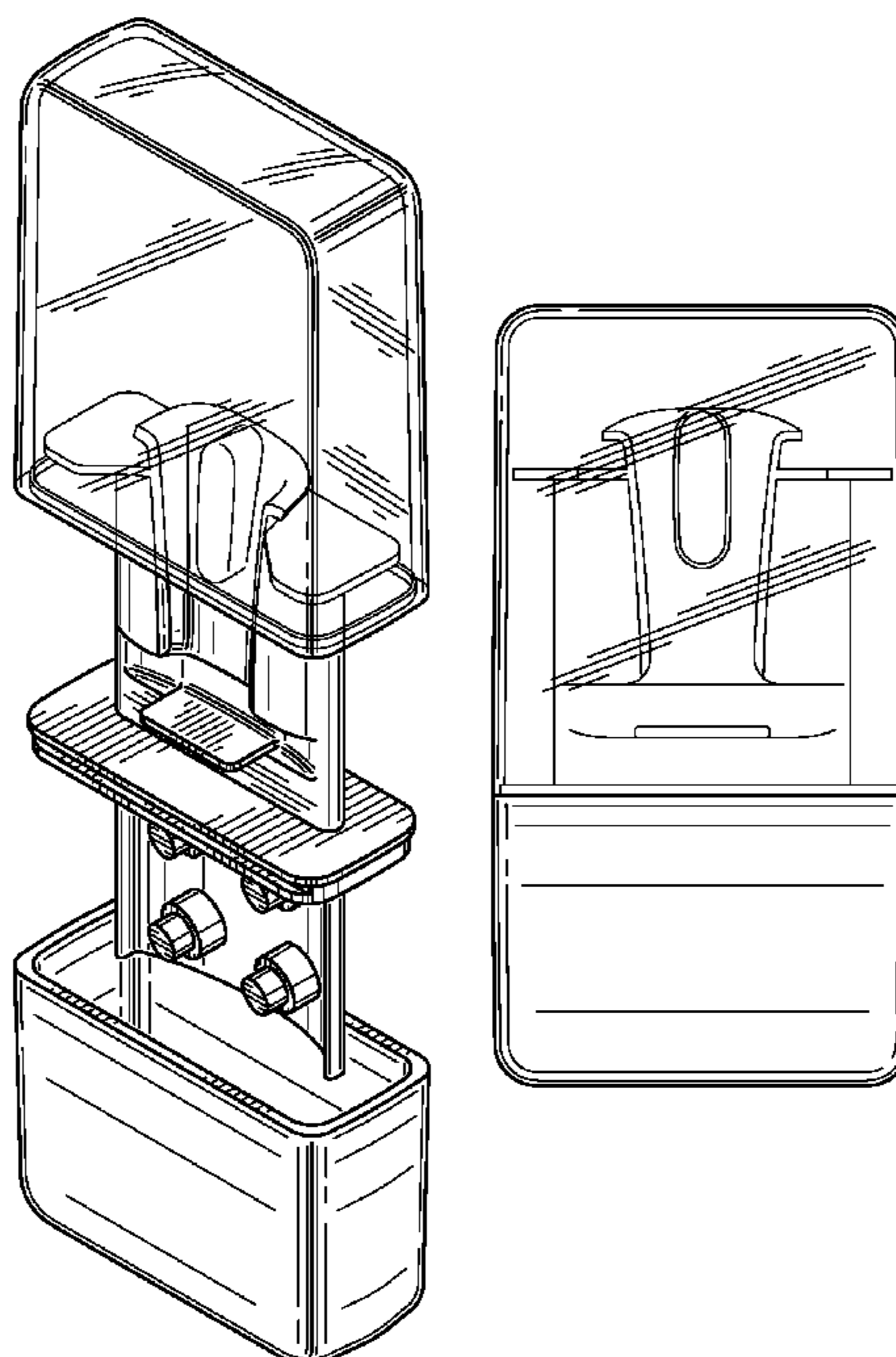
FIG. 1 is a perspective view of a product packaging showing our new design, in an open position;
FIG. 2 is a front elevational view of FIG. 1;
FIG. 3 is a rear elevational view of FIG. 1;
FIG. 4 is a left side elevational view of FIG. 1;
FIG. 5 is a right side elevational view of FIG. 1;
FIG. 6 is a top plan view of FIG. 1;
FIG. 7 is a bottom plan view of FIG. 1;
FIG. 8 is a perspective view thereof, in a closed position;
FIG. 9 is a front elevational view of FIG. 8;
FIG. 10 is a rear elevational view of FIG. 8;
FIG. 11 is a left side elevational view of FIG. 8;
FIG. 12 is a right side elevational view of FIG. 8;
FIG. 13 is a top plan view of FIG. 8; and,
FIG. 14 is a bottom plan view of FIG. 8.

(56) **References Cited**

U.S. PATENT DOCUMENTS

D157,468 S *	2/1950	Burger	D9/424
3,579,306 A *	5/1971	Crane	422/61
D274,752 S *	7/1984	Byrne	D24/223
D275,789 S *	10/1984	Byrne	D24/223
D288,716 S *	3/1987	Covell et al.	D24/223
D309,262 S *	7/1990	Coiner	D9/418
5,168,985 A *	12/1992	Shih	206/6.1
D363,218 S *	10/1995	Mann	D9/428
D422,785 S *	4/2000	Cavell	D3/201
6,047,833 A *	4/2000	Salomon	206/765
D426,153 S *	6/2000	Sagel et al.	D9/428

1 Claim, 8 Drawing Sheets



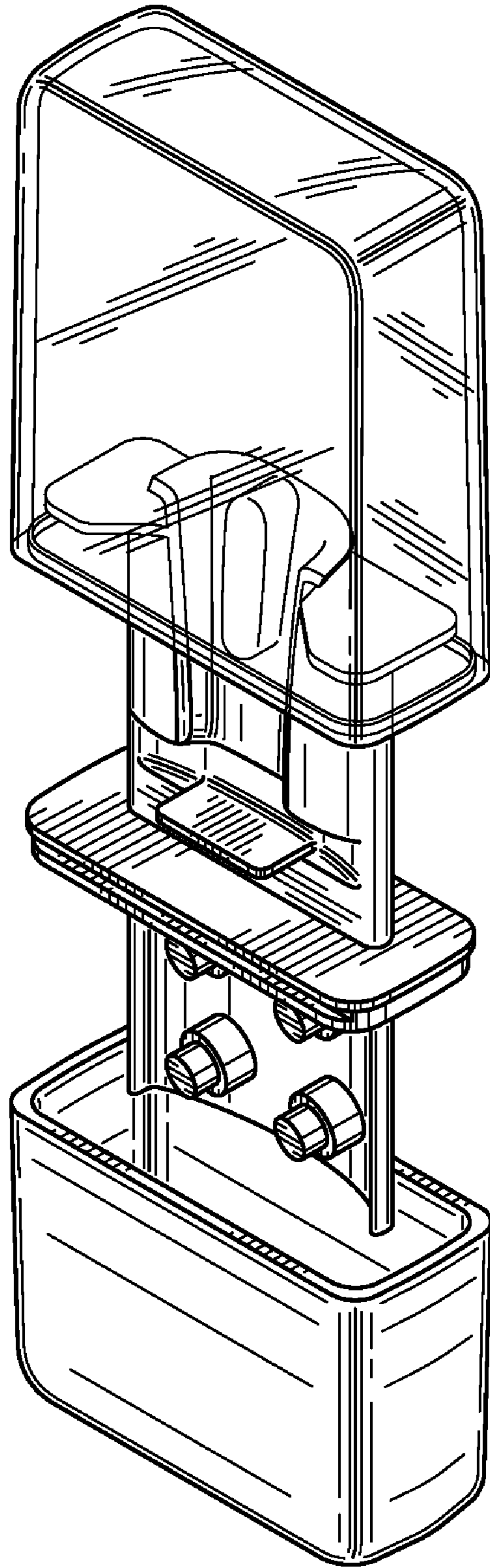


FIG. 1

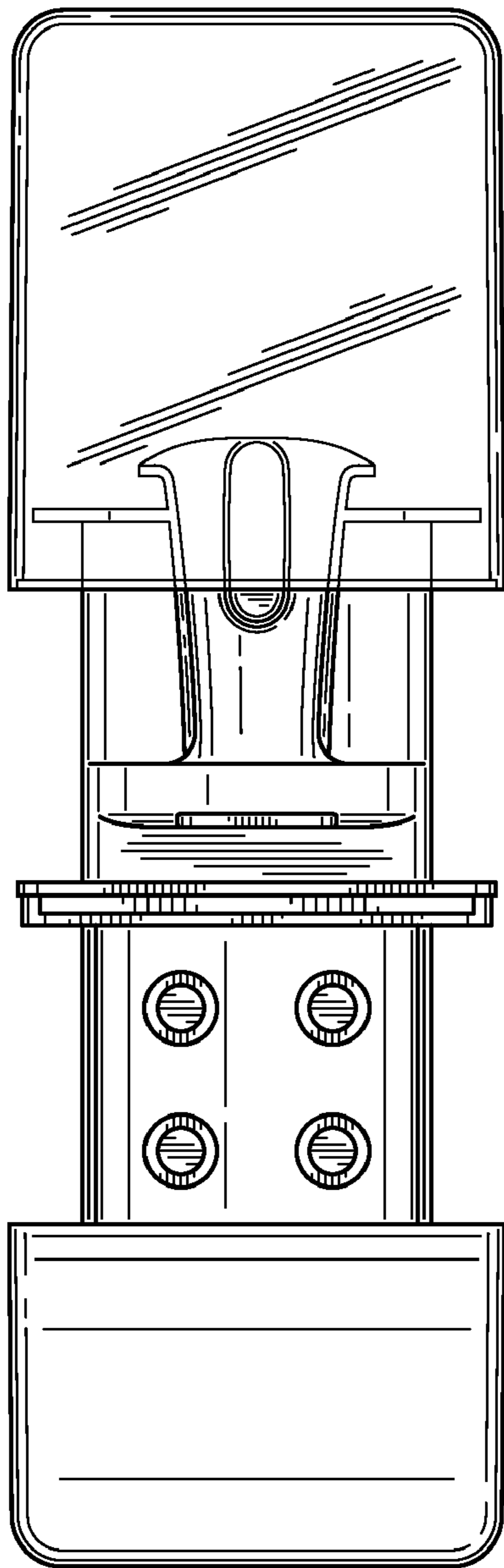


FIG. 2

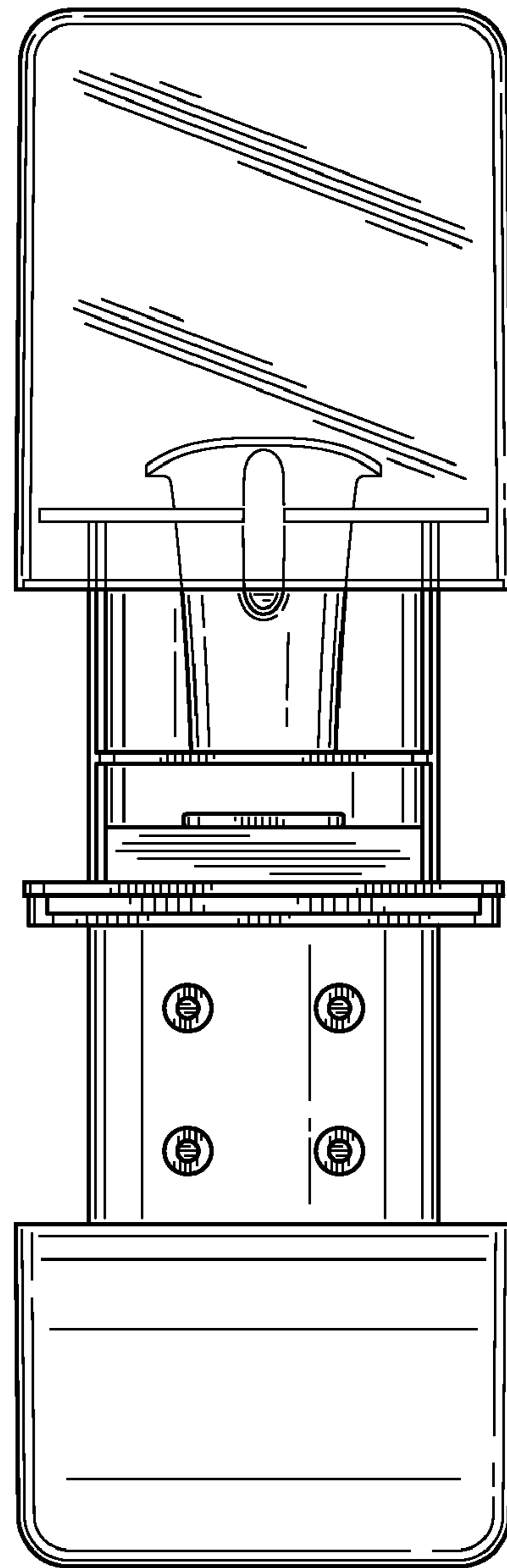


FIG. 3

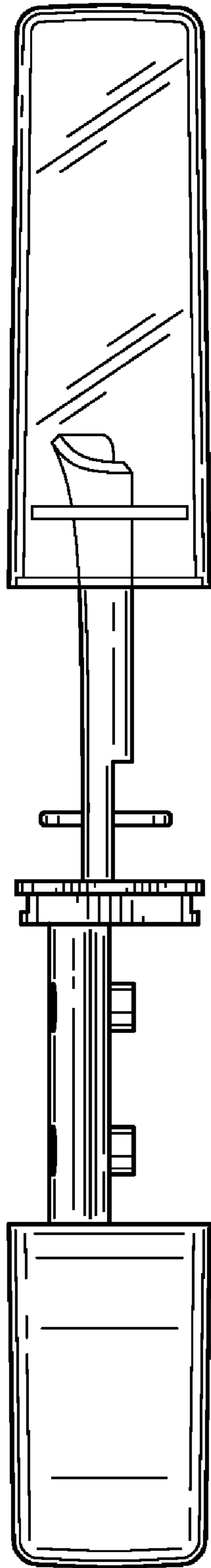


FIG. 4

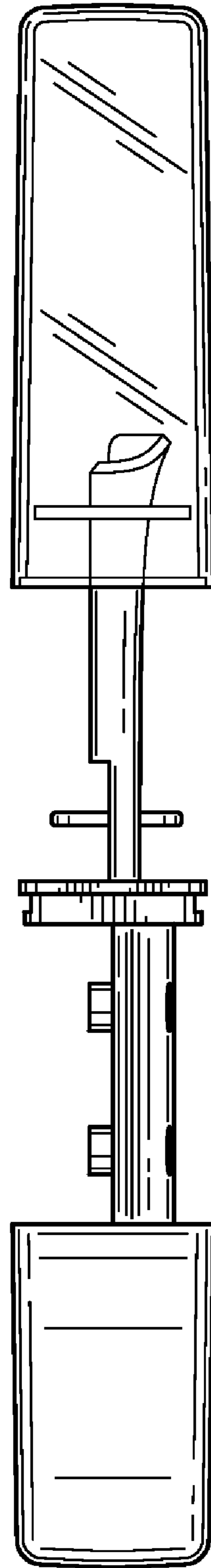


FIG. 5

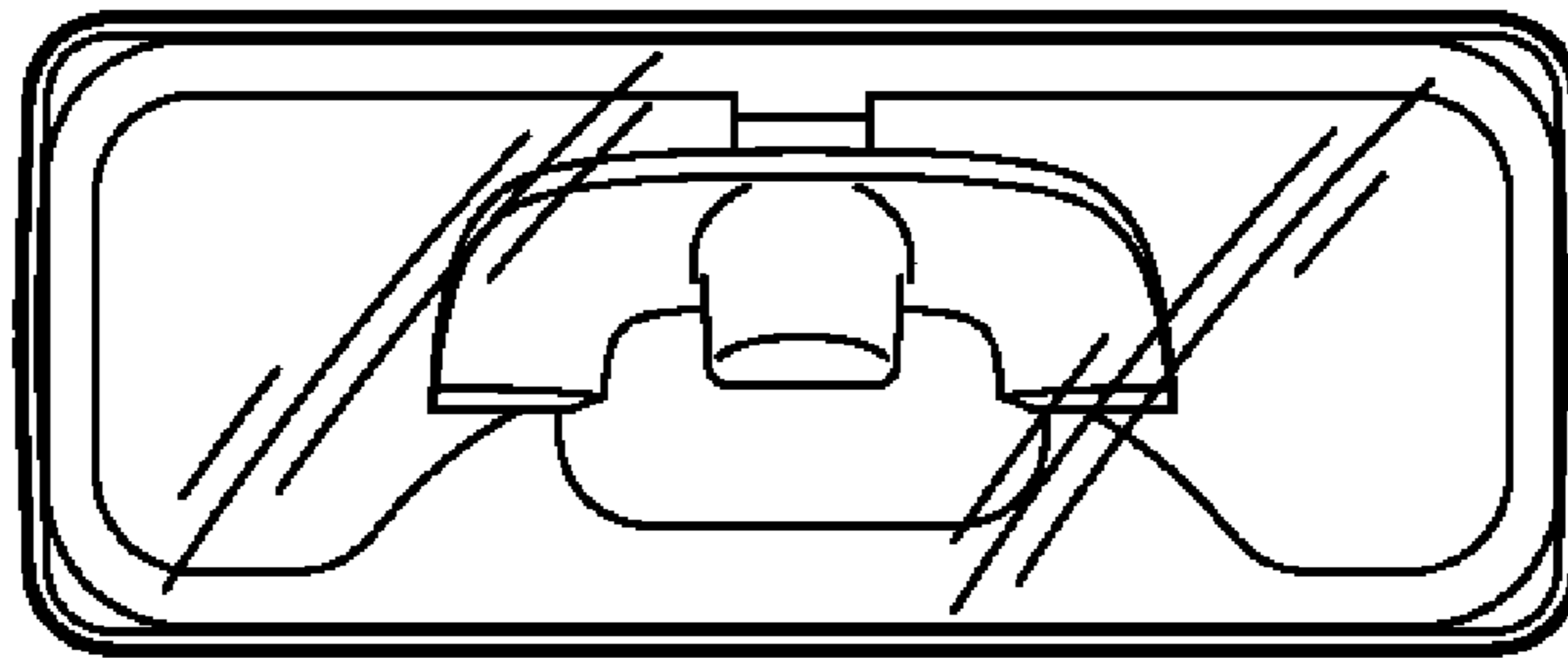


FIG. 6

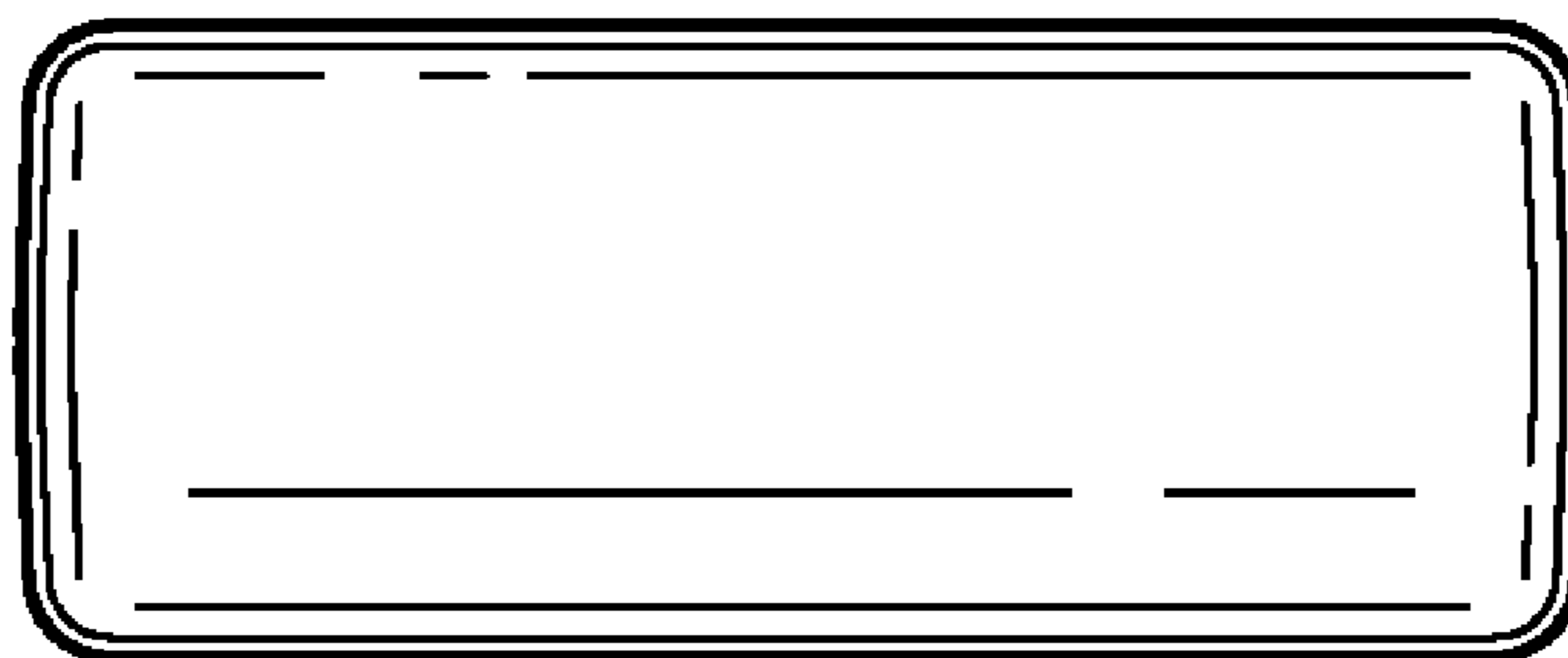


FIG. 7

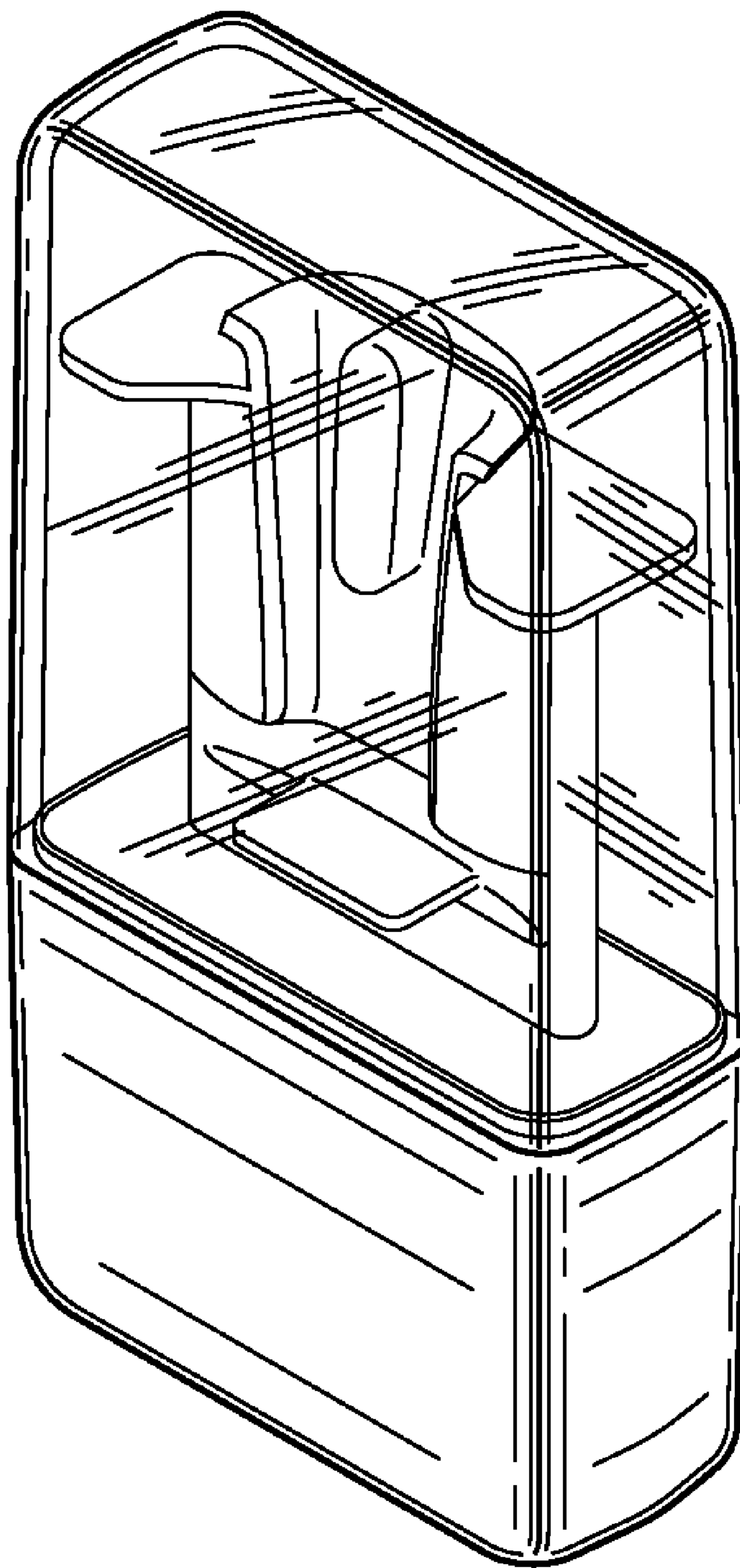


FIG. 8

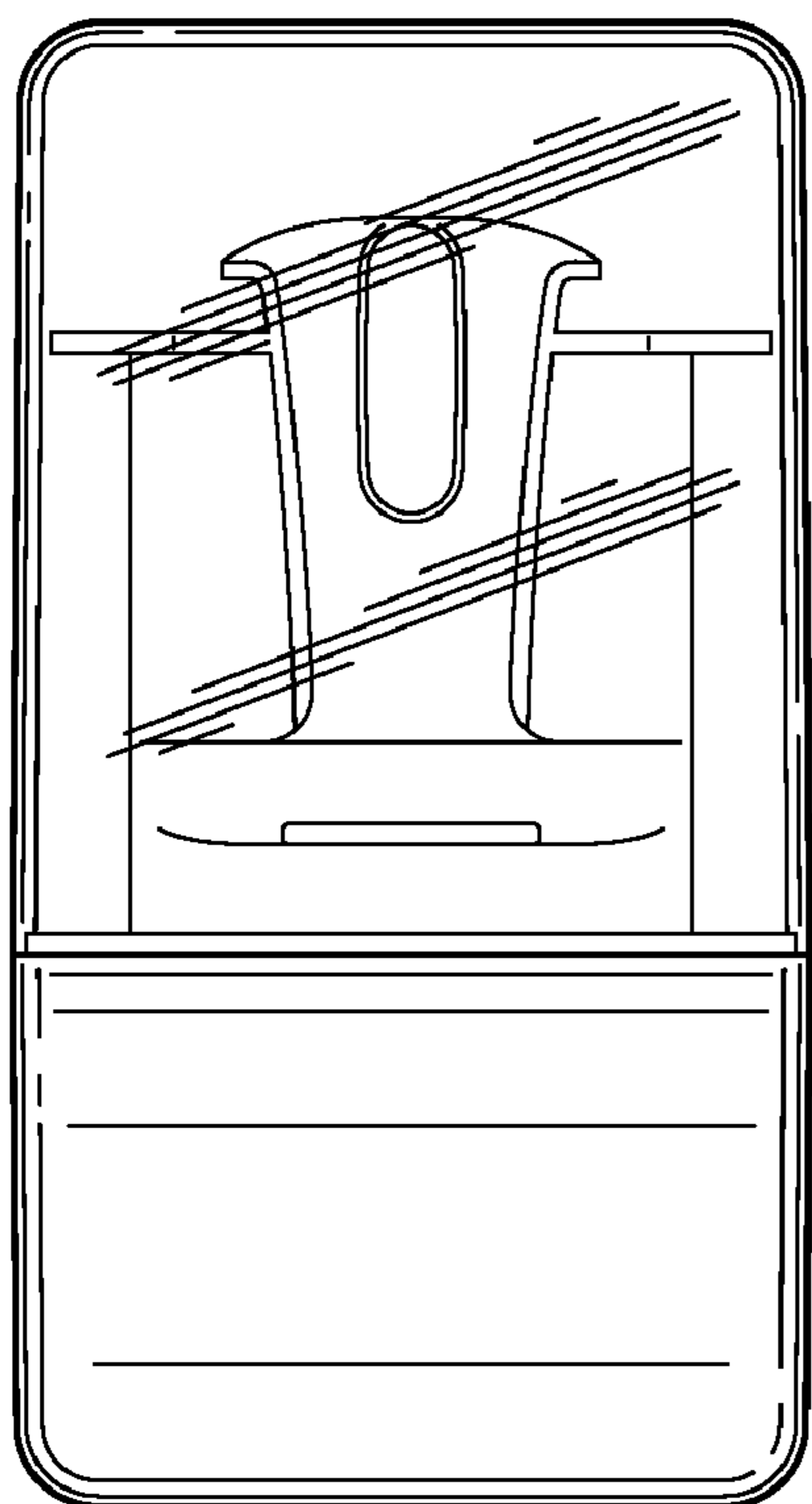


FIG. 9

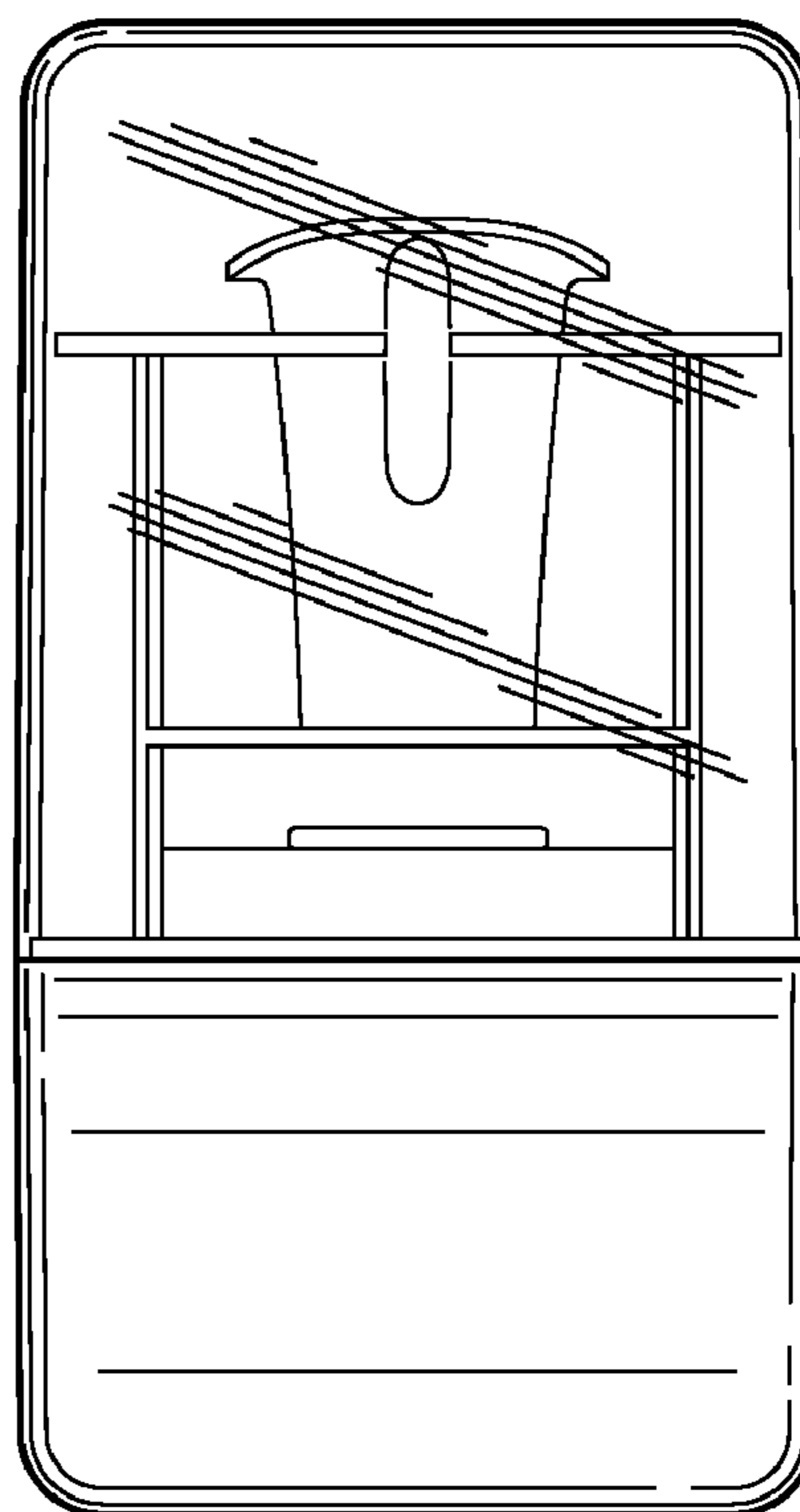


FIG. 10

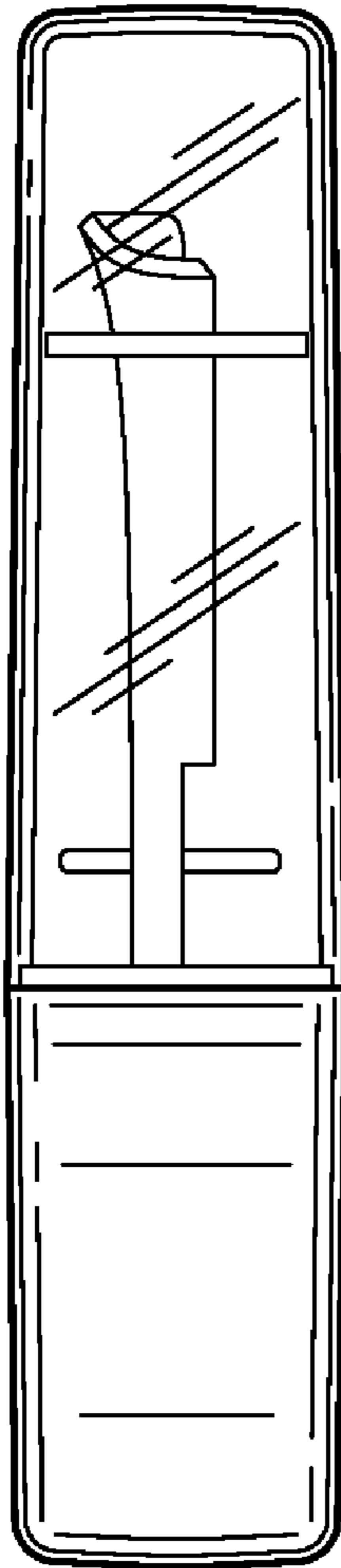


FIG. 11

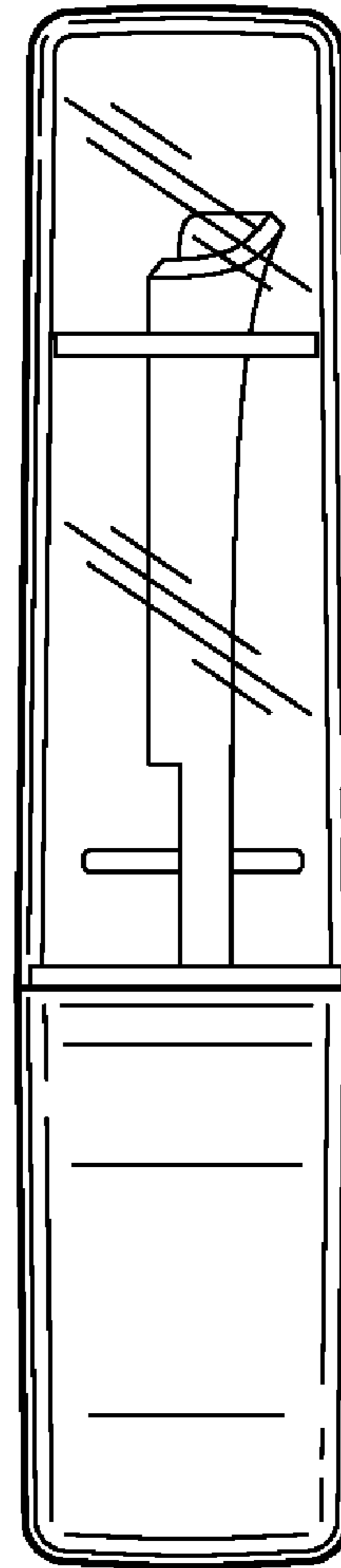


FIG. 12

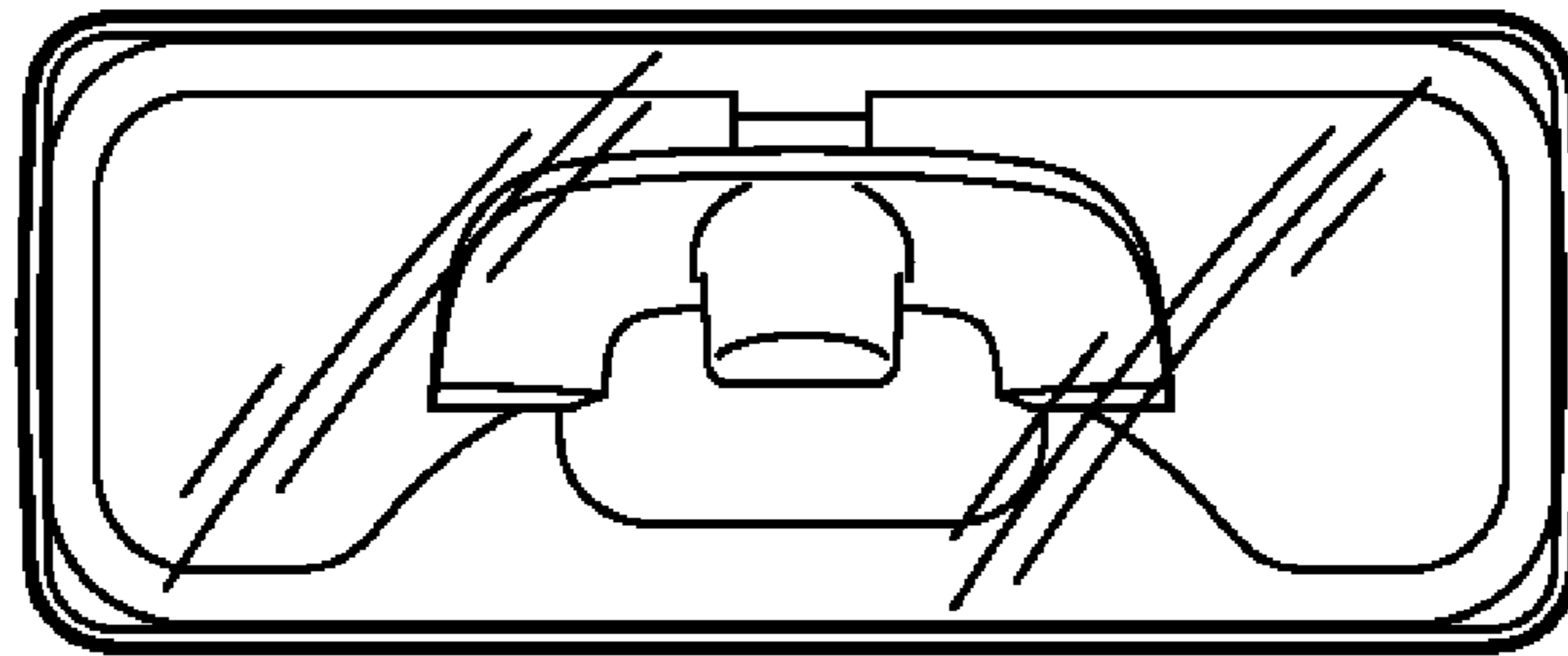


FIG. 13

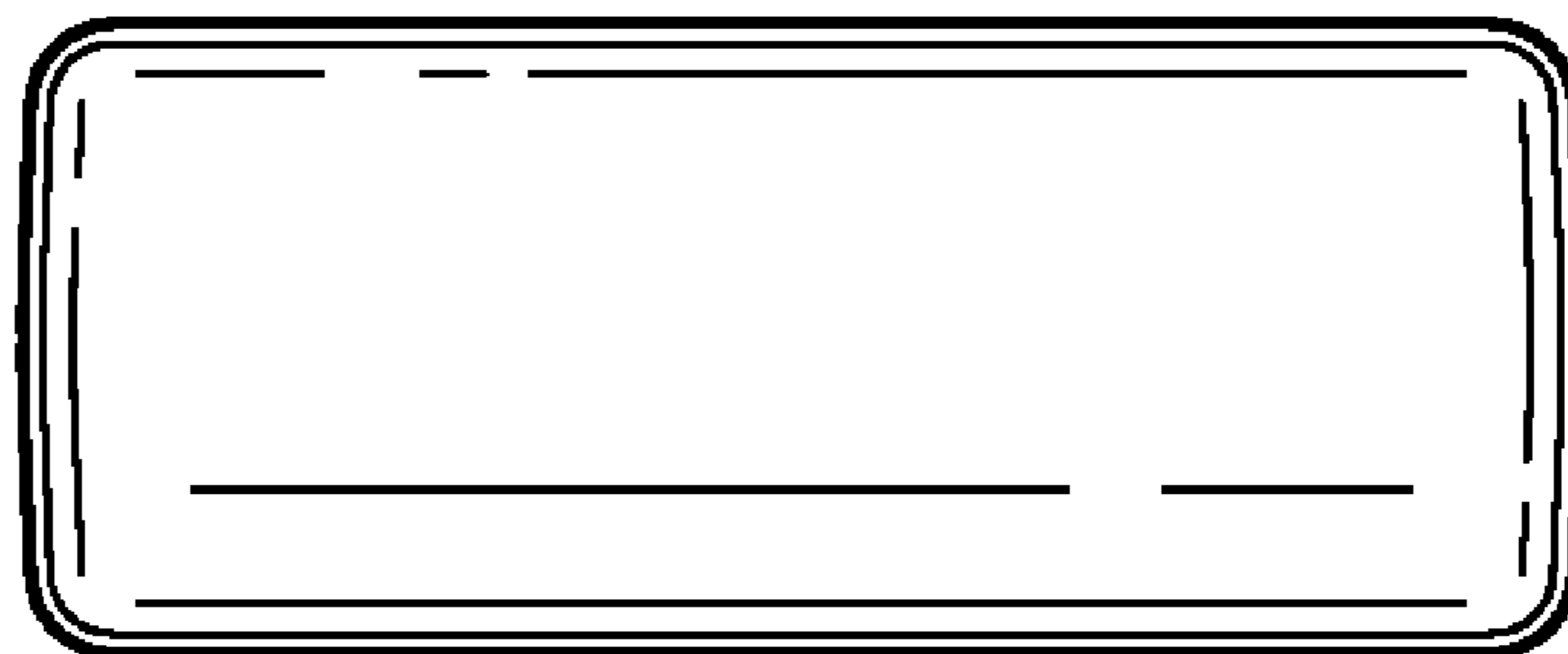


FIG. 14