



US00D550551S

(12) **United States Design Patent**
Howard

(10) **Patent No.:** **US D550,551 S**

(45) **Date of Patent:** **** Sep. 11, 2007**

(54) **CLIP HOLDER DEVICE**

(76) **Inventor:** **Cara L. Howard**, 918 N. Overlook Dr.,
Olathe, KS (US) 66061

(**) **Term:** **14 Years**

(21) **Appl. No.:** **29/268,383**

(22) **Filed:** **Nov. 6, 2006**

(51) **LOC (8) Cl.** **08-08**

(52) **U.S. Cl.** **D8/395**

(58) **Field of Classification Search** D8/356,
D8/371, 394-396; D19/65, 56; 24/22, 67 R,
24/20 S, 115 R, 546, 563, 910, 343, 67.9;
248/74.2, 215, 227.1, 49, 300, 301, 316.7,
248/51, 489

See application file for complete search history.

(56) **References Cited**

U.S. PATENT DOCUMENTS

D10,320 S *	11/1877	McGill	D19/65
D25,058 S *	1/1896	Desjardins	D8/395
D348,902 S *	7/1994	Beyer	D19/65
D366,282 S *	1/1996	Adams	D19/83
D385,188 S *	10/1997	Williams	D9/434
D404,071 S *	1/1999	Shyu	D8/395

* cited by examiner

Primary Examiner—Louis S. Zarfes

Assistant Examiner—John Windmuller

(74) *Attorney, Agent, or Firm*—Intellectual Property Center,
LLC; Arthur K. Shaffer

(57) **CLAIM**

The ornamental design for a clip holder device, as shown
and described.

DESCRIPTION

FIG. 1 is a perspective view of a clip holder device in
accordance with the present invention;

FIG. 2 is a rear elevation view of the clip holder of FIG. 1;

FIG. 3 is a top plan view of the clip holder of FIG. 1;

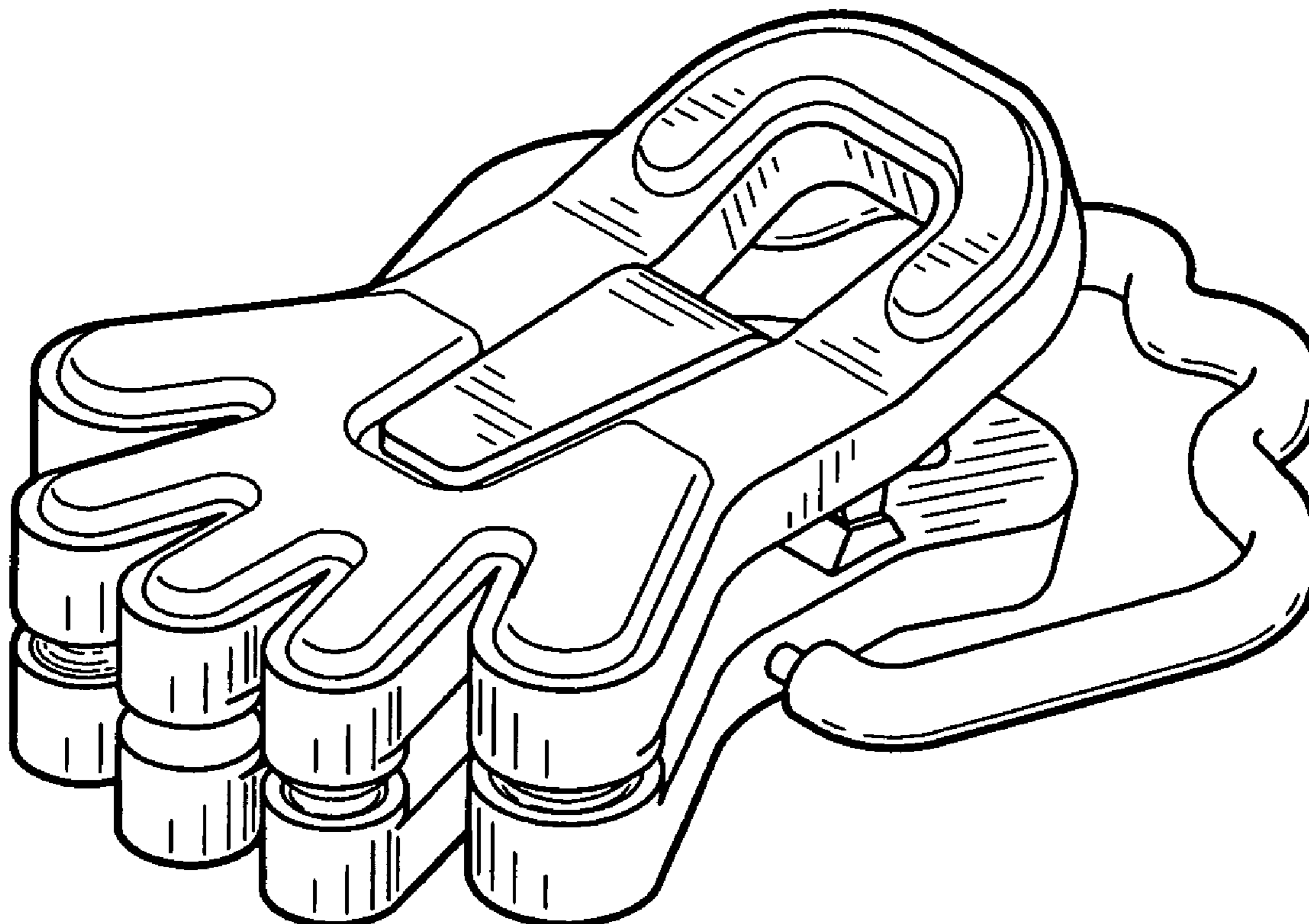
FIG. 4 is a side elevation view of the clip holder of FIG. 1;

FIG. 5 is a bottom plan view of the clip holder of FIG. 1;
and,

FIG. 6 is a front elevation view of the clip holder of FIG. 1.

The broken lines in FIGS. 1, 2, 3, 4, 5 and 6 are for
illustrative purposes only and form no part of the claimed
design.

1 Claim, 3 Drawing Sheets



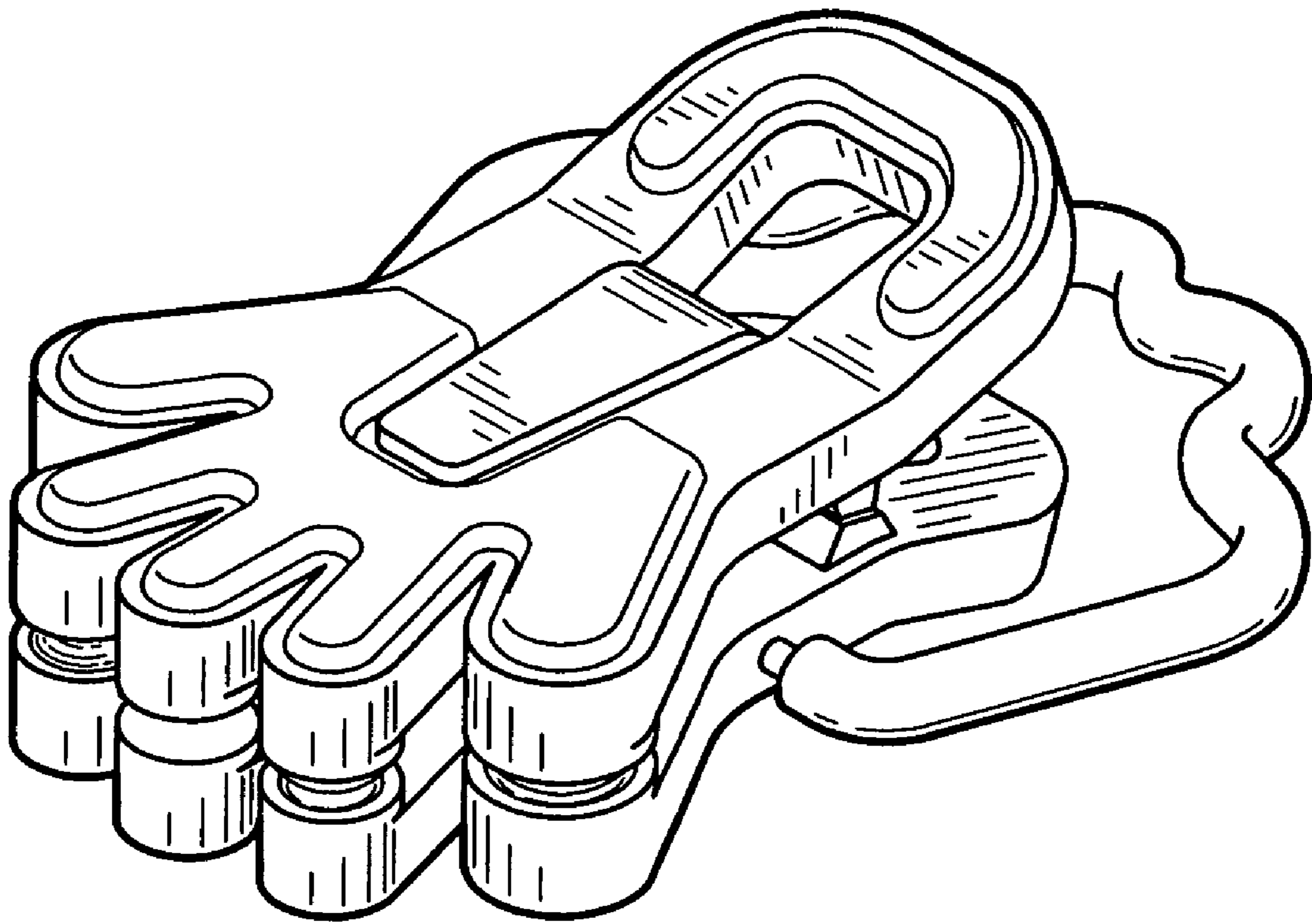


Fig. 1

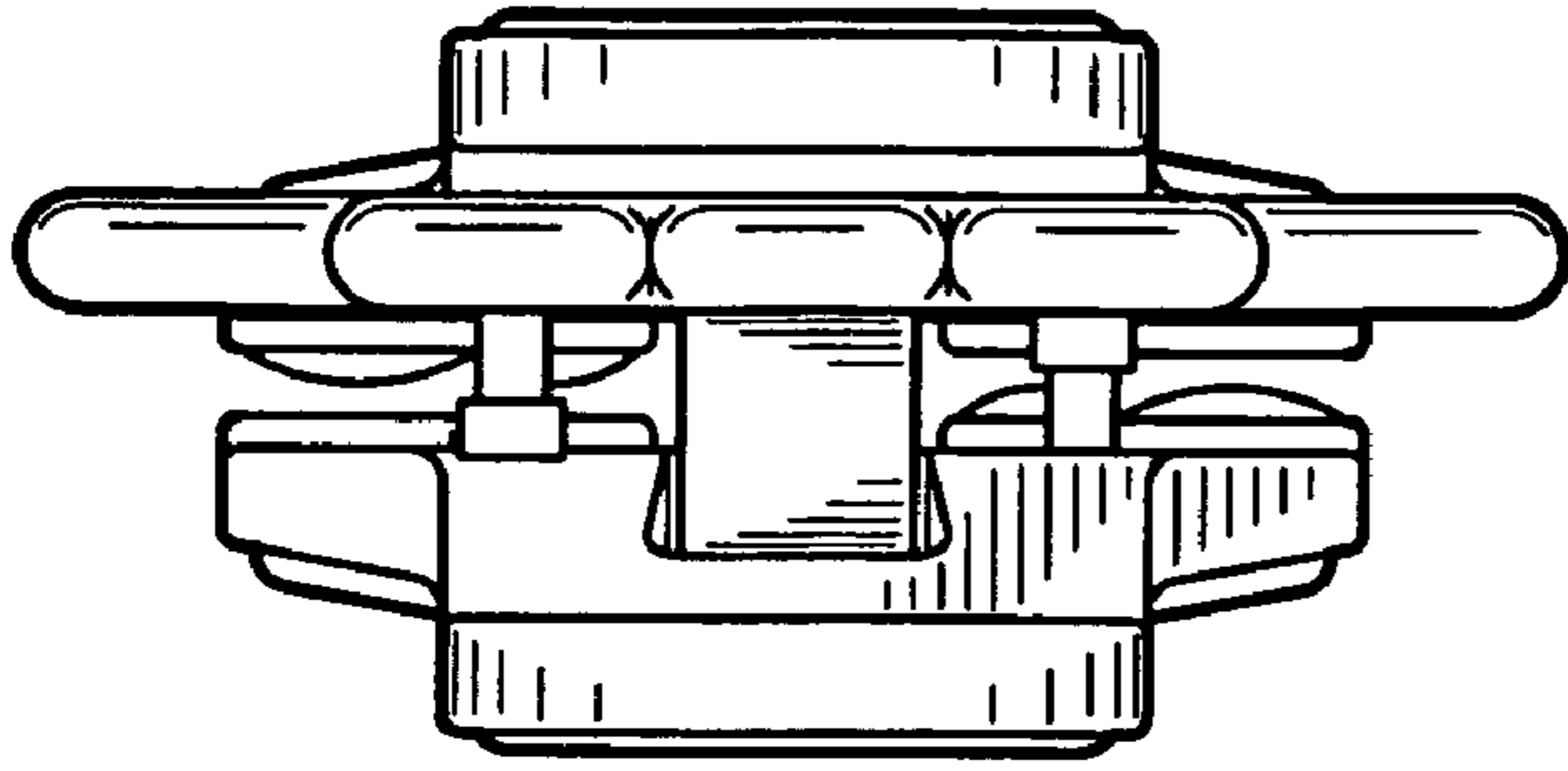


Fig. 2

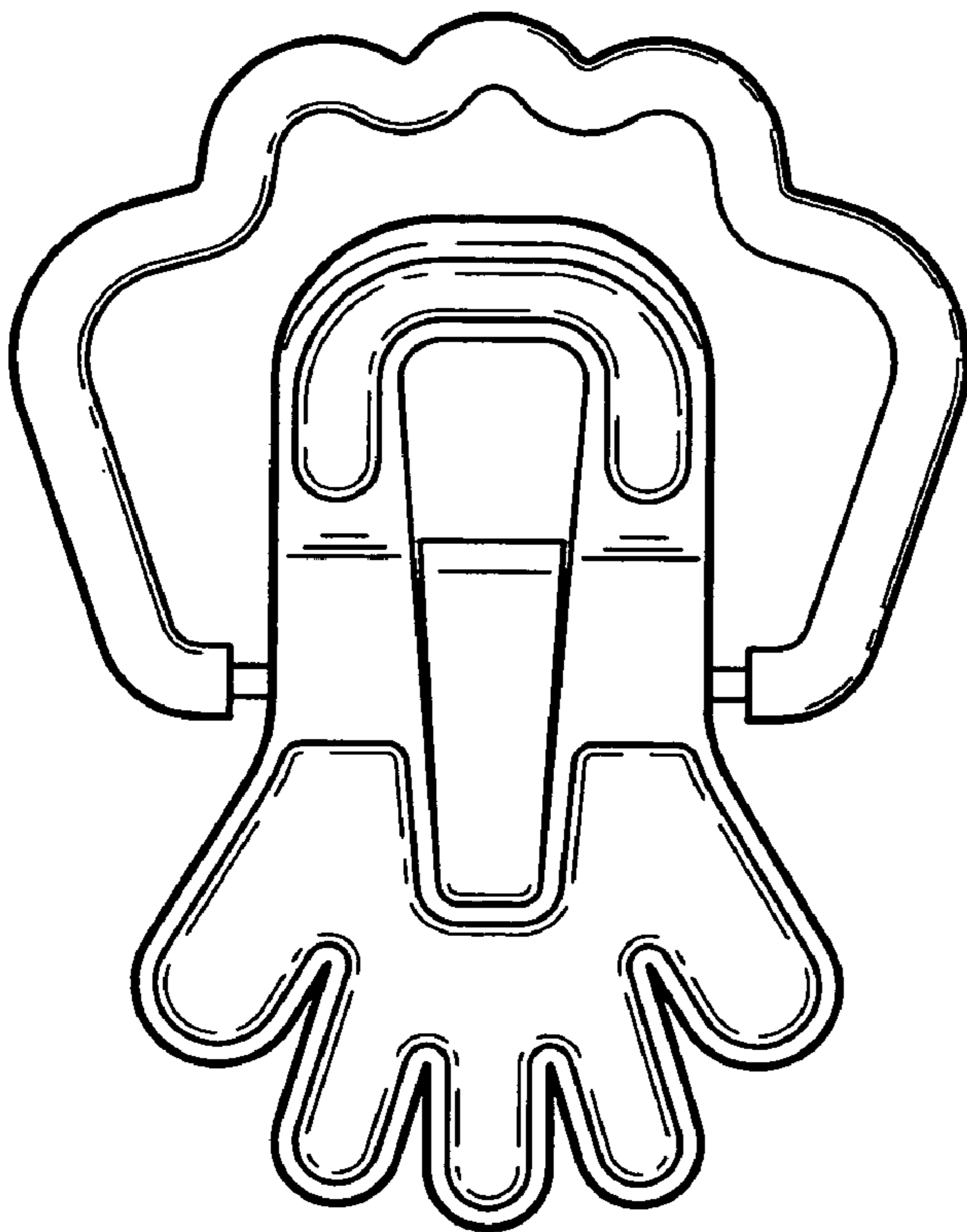


Fig. 3

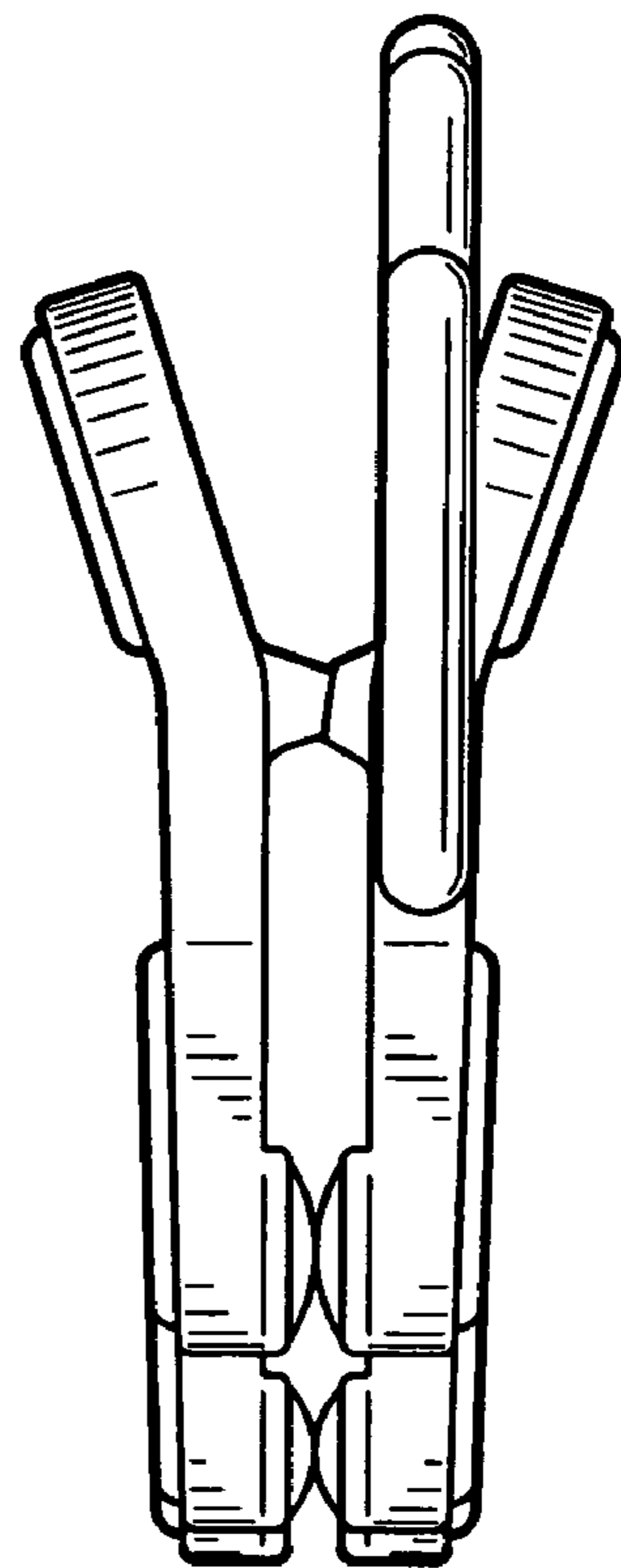


Fig. 4

Fig. 5

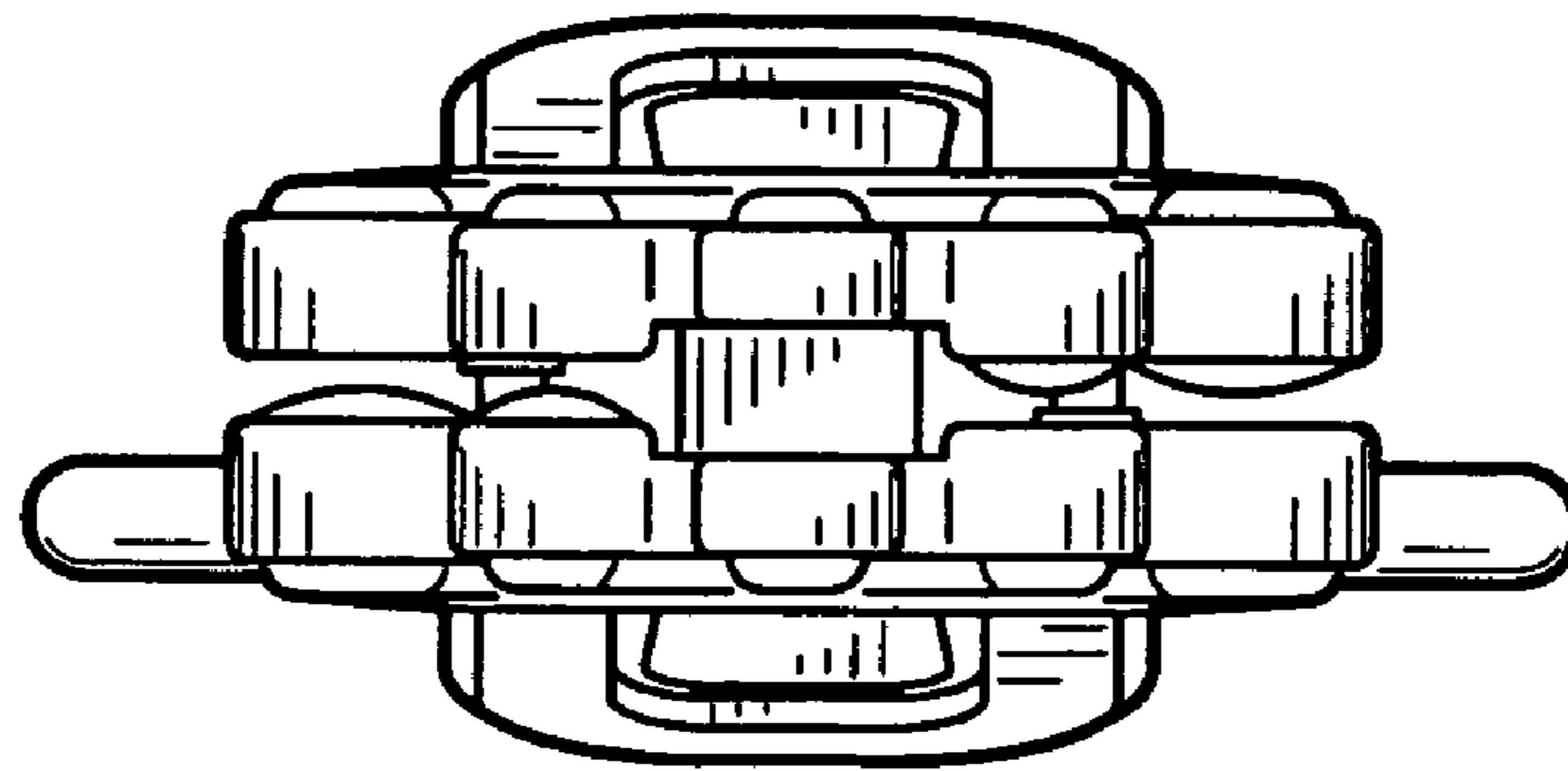
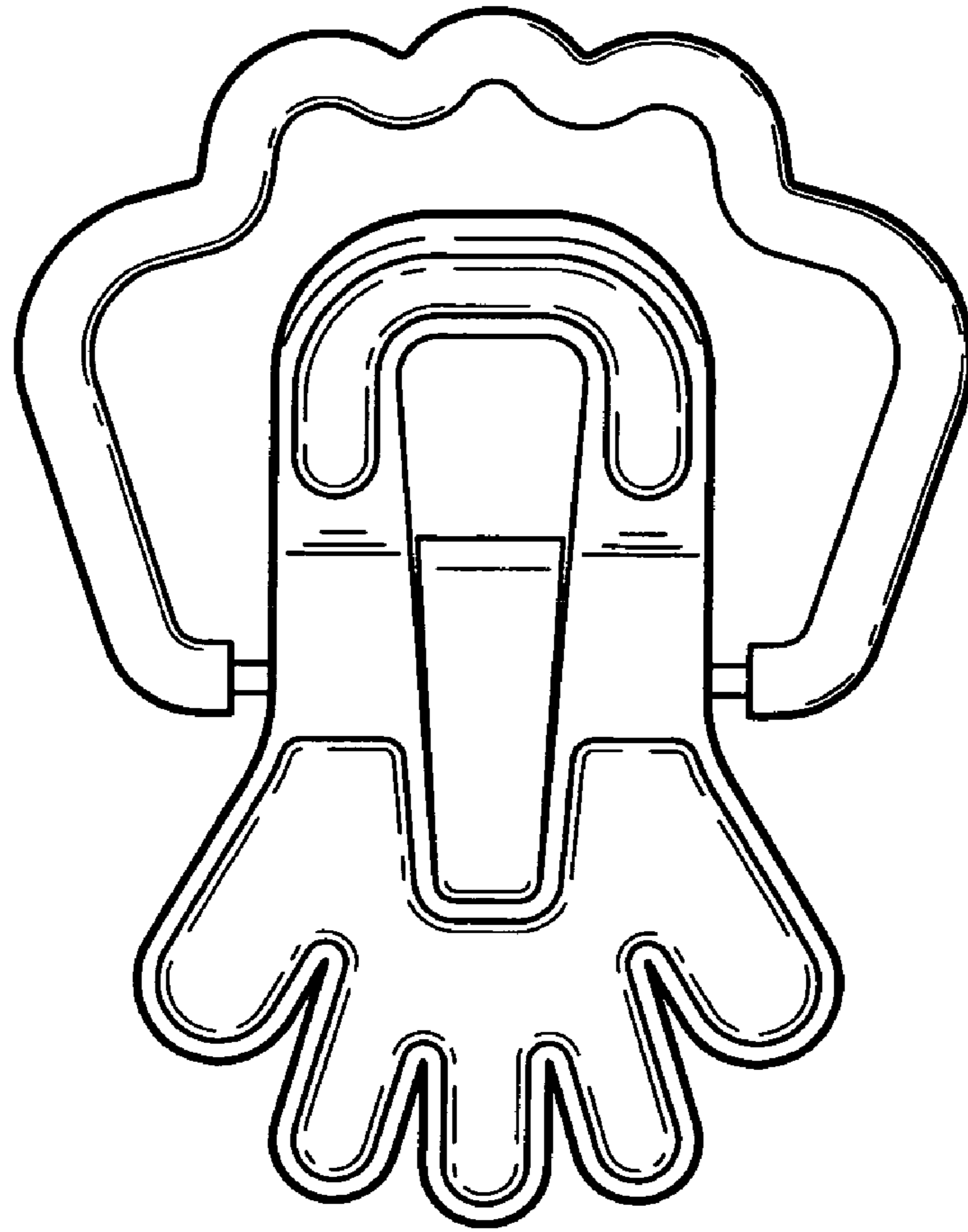


Fig. 6