



US00D550550S

(12) **United States Design Patent**
Lee

(10) **Patent No.:** **US D550,550 S**

(45) **Date of Patent:** **** Sep. 11, 2007**

(54) **BAG CLIP**

(75) Inventor: **Doug Lee**, Baldwin Park, CA (US)

(73) Assignee: **Frank Lee Imports, Ltd.**, Baldwin Park, CA (US)

(**) Term: **14 Years**

(21) Appl. No.: **29/263,934**

(22) Filed: **Aug. 1, 2006**

(51) **LOC (8) Cl.** **08-08**

(52) **U.S. Cl.** **D8/395**

(58) **Field of Classification Search** D8/356,
D8/371, 394-396; D19/65, 56; 24/22, 67 R,
24/20 S, 115 R, 546, 563, 910, 343, 67.9;
248/74.2, 215, 227.1, 49, 300, 301, 316.7,
248/51, 489

See application file for complete search history.

(56) **References Cited**

U.S. PATENT DOCUMENTS

1,420,654 A * 6/1922 Grant 248/317
D342,890 S * 1/1994 Ramierz D8/395
D383,970 S * 9/1997 Berman D8/395
5,802,677 A * 9/1998 Dorman et al. 24/30.5 R
D468,356 S * 1/2003 Snell D19/65

D498,497 S * 11/2004 Lo D19/65
D520,353 S * 5/2006 Mariano et al. D8/395
D521,857 S * 5/2006 Hoffman D8/395

* cited by examiner

Primary Examiner—Louis S. Zarfes

Assistant Examiner—John Windmuller

(74) *Attorney, Agent, or Firm*—Roland Tong

(57) **CLAIM**

An ornamental design for a bag clip, as shown and described.

DESCRIPTION

FIG. 1 is a perspective view of a bag clip showing my new design;

FIG. 2 is a front elevational view thereof;

FIG. 3 is a rear elevational view thereof;

FIG. 4 is a top plan view thereof;

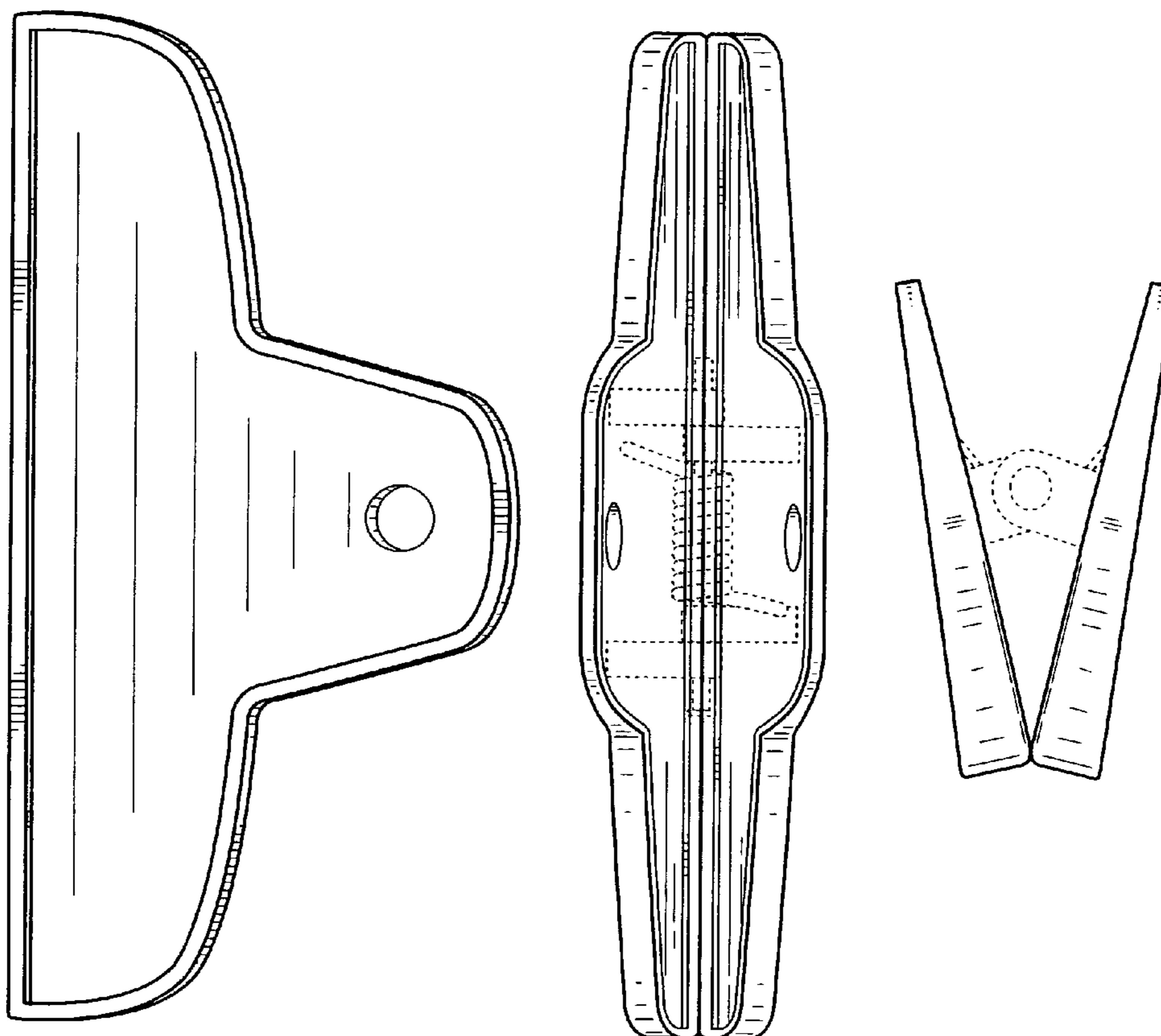
FIG. 5 is a bottom plan view thereof;

FIG. 6 is a right side elevational view thereof; and,

FIG. 7 is a left side elevational view thereof.

Broken lines illustrate features or environmental components that are not part of the design sought to be patented.

1 Claim, 7 Drawing Sheets



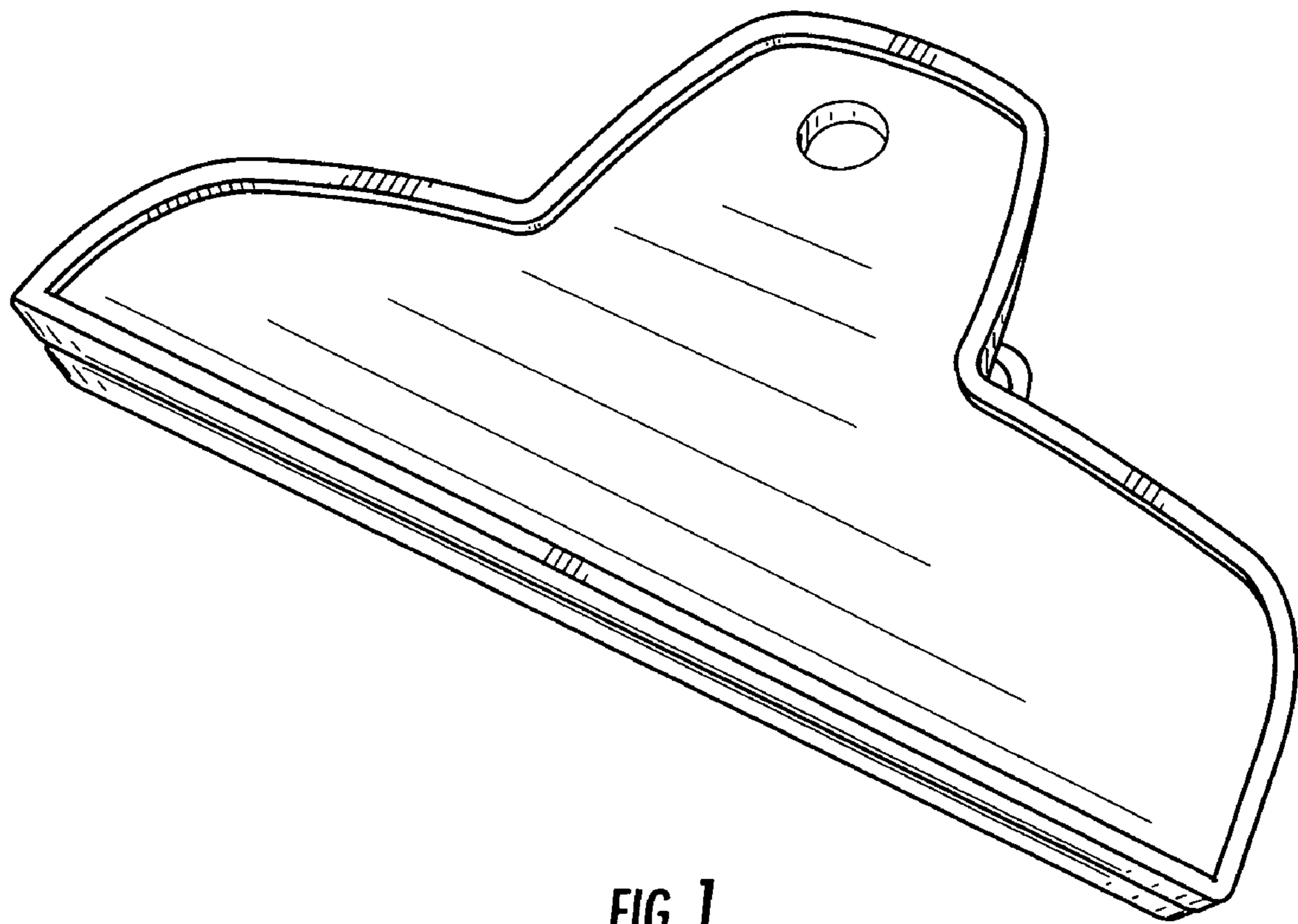


FIG. 1

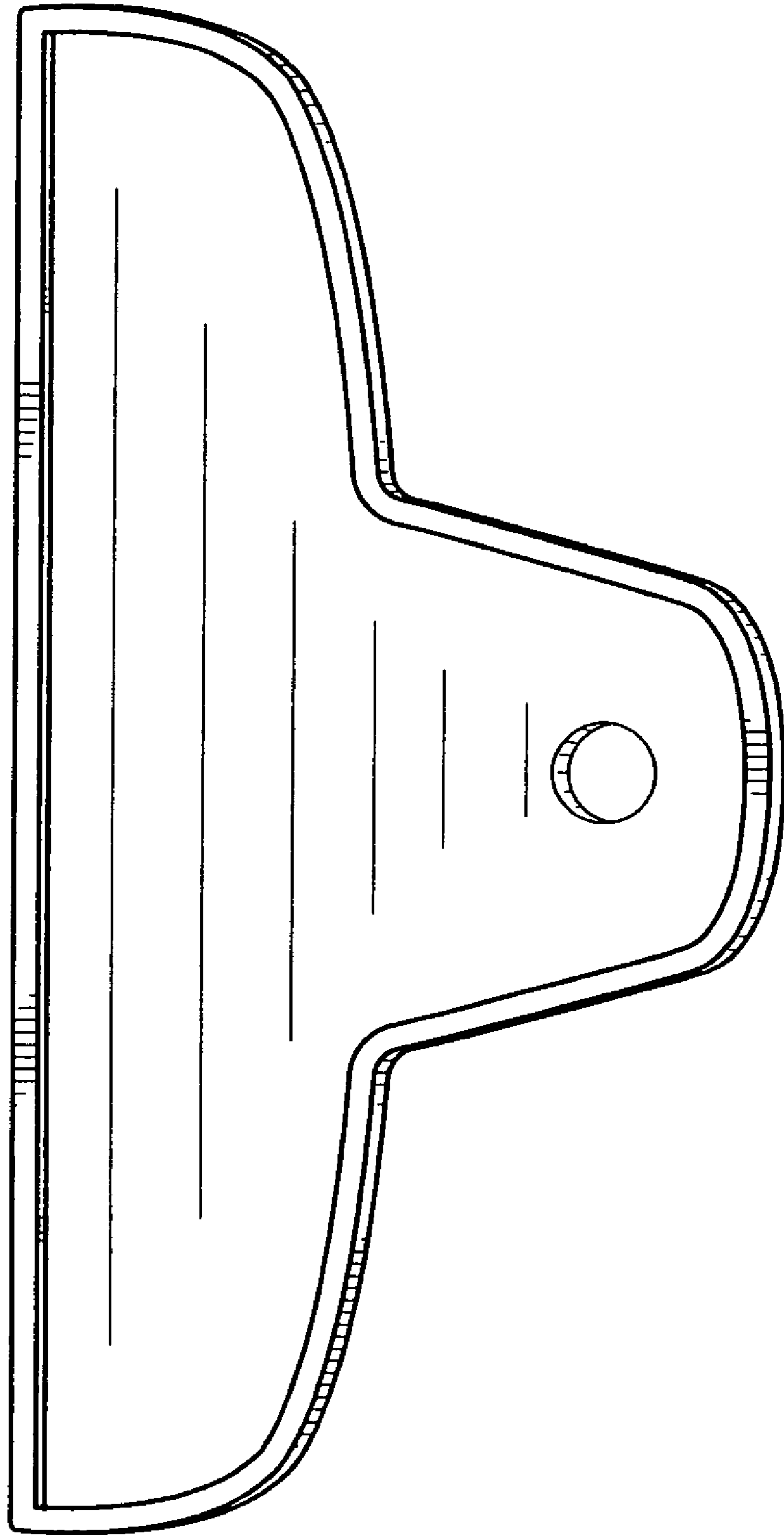


FIG. 2

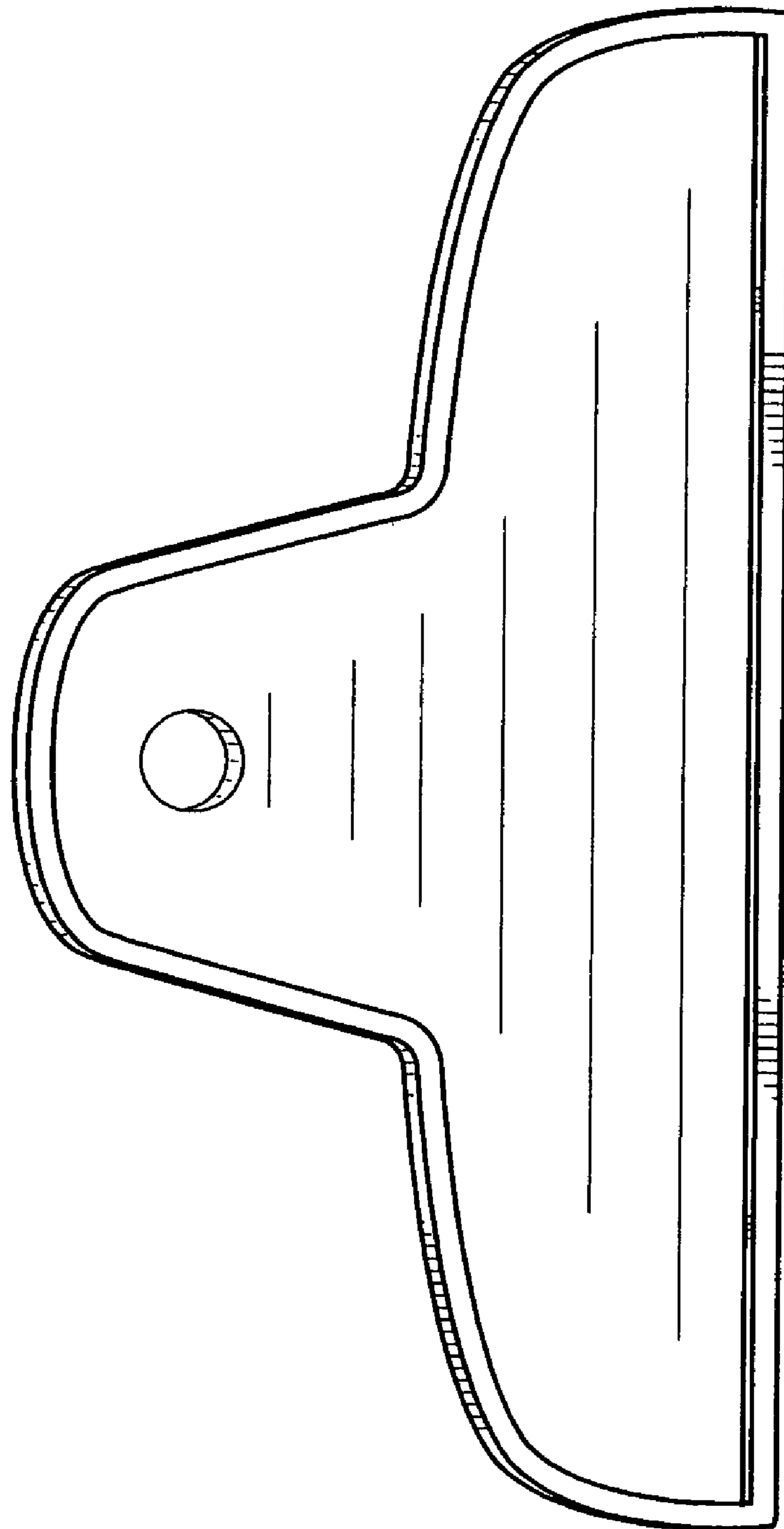


FIG. 3

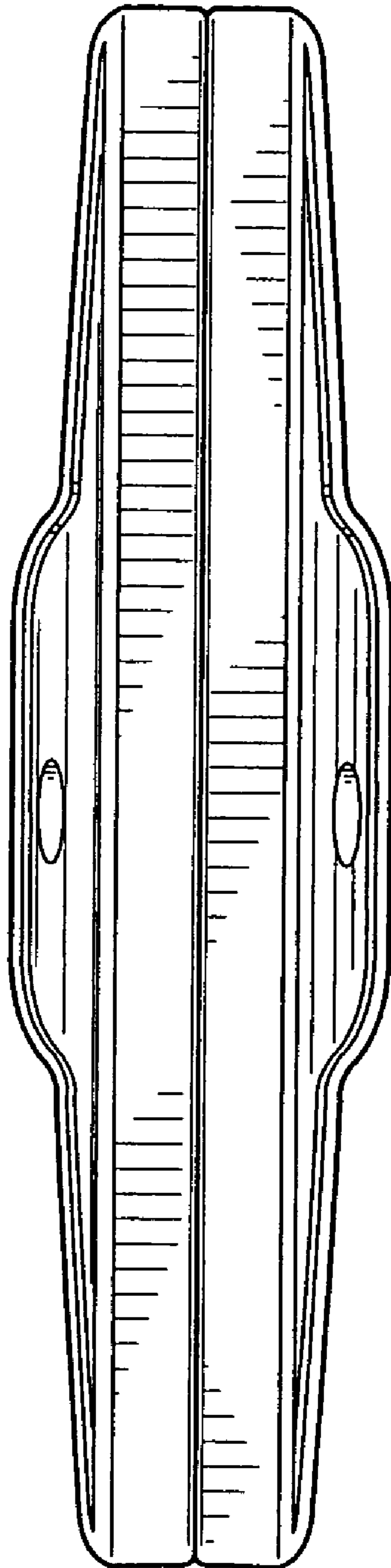


FIG. 4

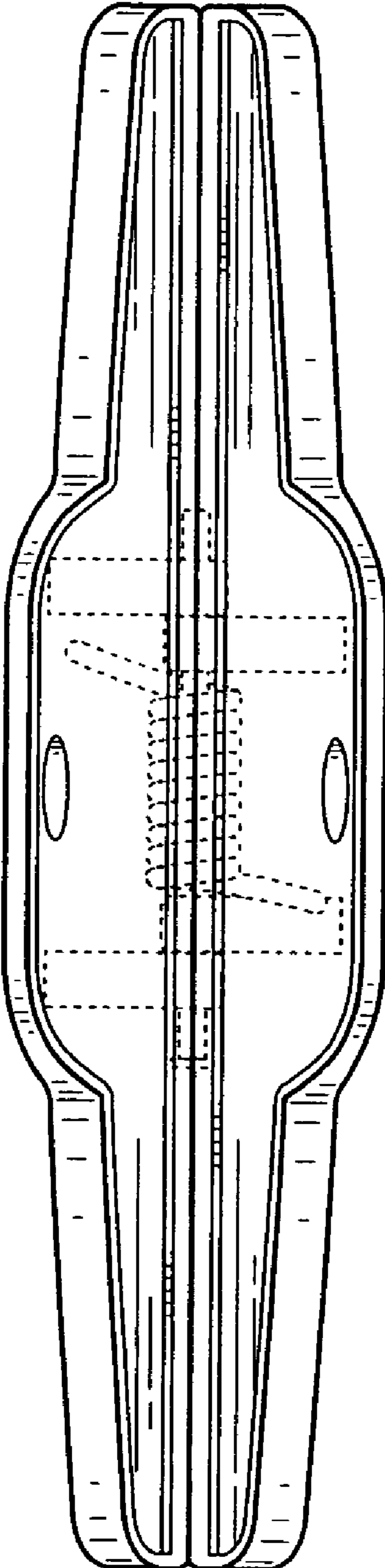


FIG. 5

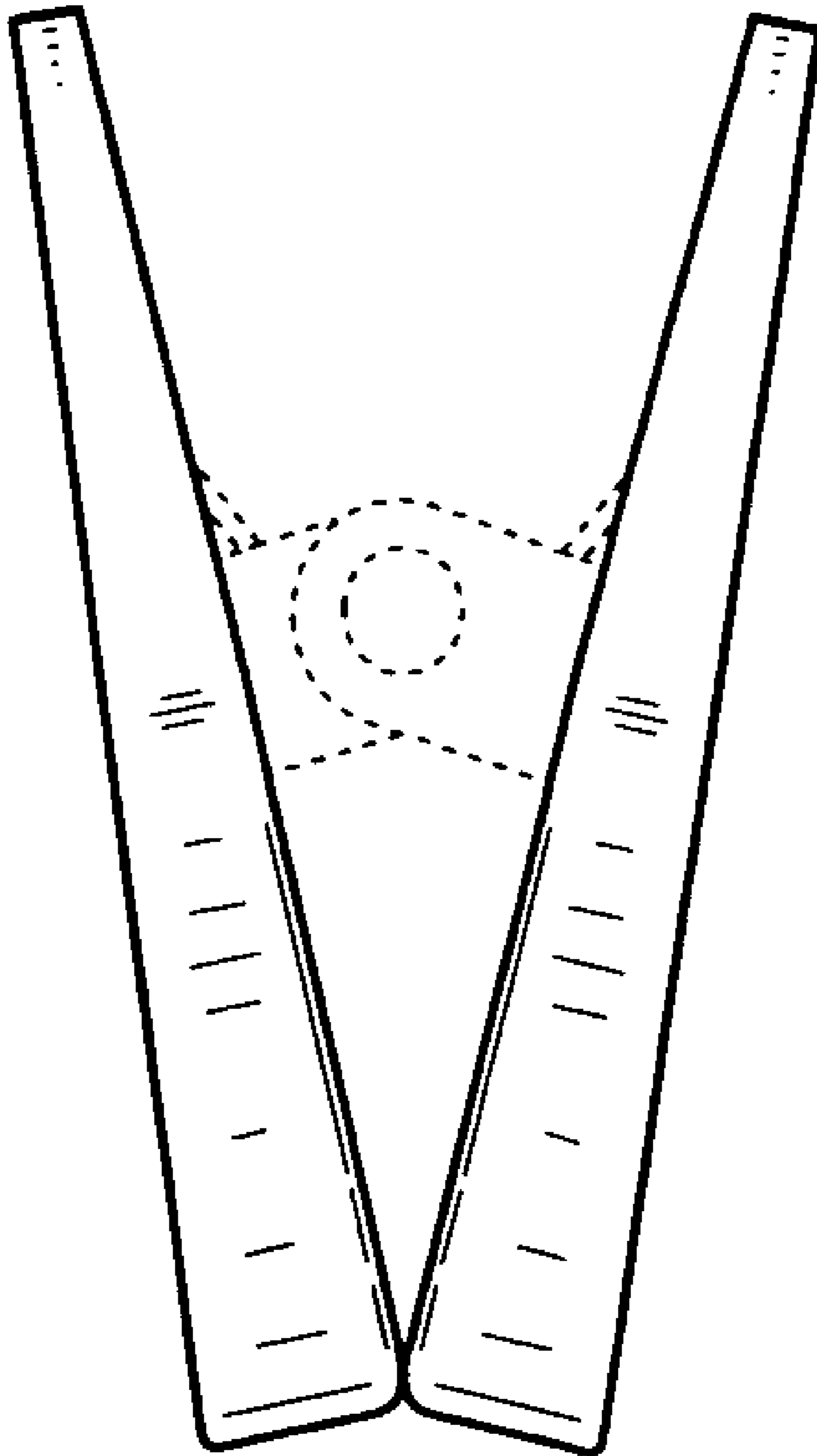


FIG. 6

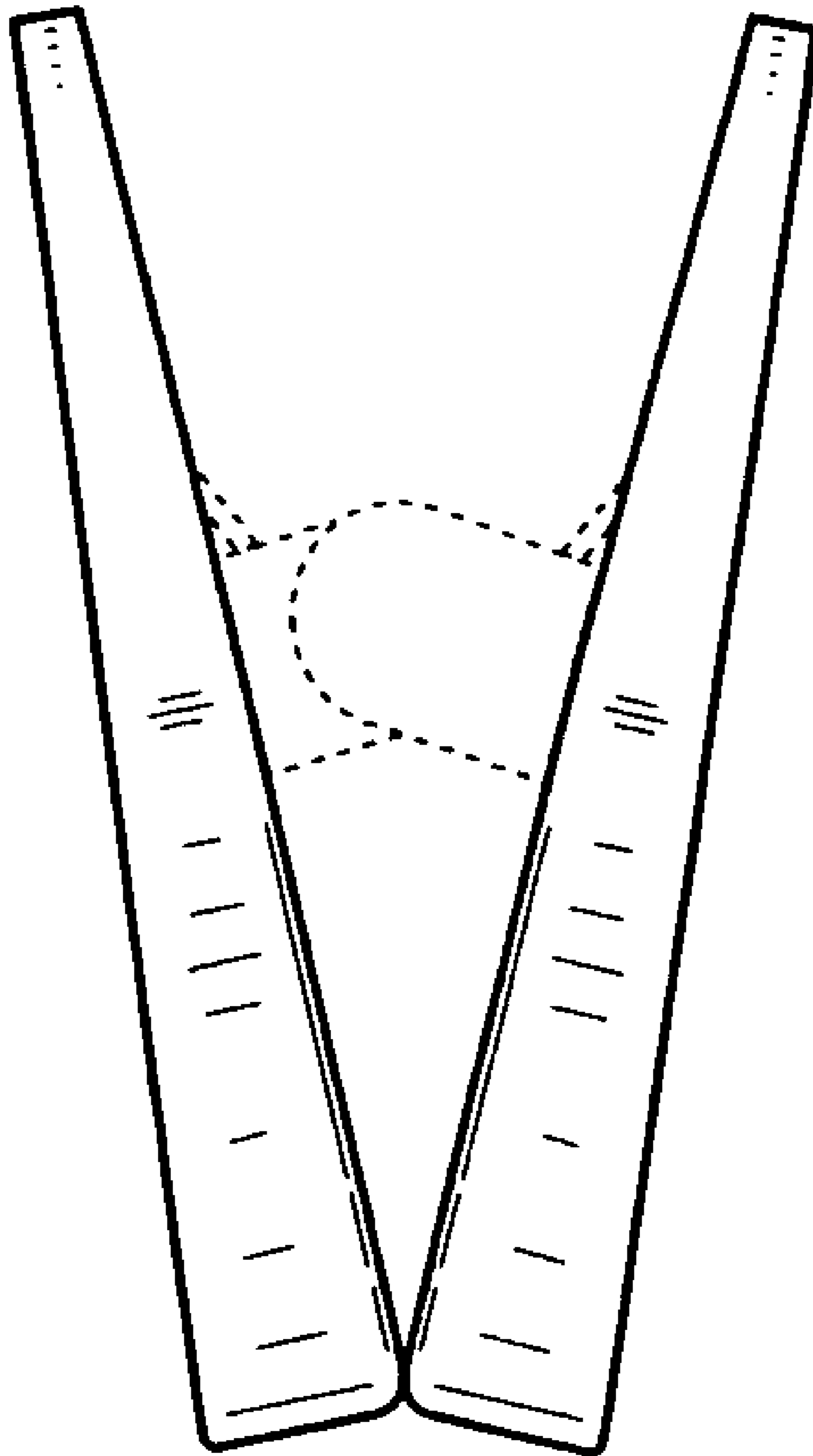


FIG. 7