



US00D550549S

(12) **United States Design Patent**  
**Mounce**

(10) **Patent No.:** **US D550,549 S**

(45) **Date of Patent:** **\*\* Sep. 11, 2007**

(54) **HATCLIP**

5,829,103 A \* 11/1998 Allen ..... 24/11 R  
5,881,391 A 3/1999 Mullaney  
5,896,585 A 4/1999 Stazo

(76) Inventor: **Danny A. Mounce**, 108 Winding Way,  
Suite J, Covington, KY (US) 41011

(Continued)

(\*\*) Term: **14 Years**

*Primary Examiner*—Louis S. Zarfaz  
*Assistant Examiner*—John Windmuller  
(74) *Attorney, Agent, or Firm*—Dinsmore & Shohl LLP

(21) Appl. No.: **29/261,619**

(22) Filed: **Jun. 16, 2006**

(57) **CLAIM**

**Related U.S. Application Data**

The ornamental design for a hatclip, as shown and described.

(62) Division of application No. 29/222,502, filed on Jan. 31, 2005.

**DESCRIPTION**

(51) **LOC (8) Cl.** ..... **08-08**

FIG. 1 is an upper front perspective view of a hatclip according to the present invention.

(52) **U.S. Cl.** ..... **D8/395**

FIG. 2 is a top plan view of the hatclip of FIG. 1.

(58) **Field of Classification Search** ..... D8/356,  
D8/371, 394–396, 499, 53, 100, 365; D12/51;  
D19/65, 90; D28/39, 40, 42; 24/546, 563,  
24/910, 327, 334, DIG. 8, DIG. 9, DIG. 13,  
24/DIG. 28; 248/74.2, 300, 301, 316.7,  
248/229.26

FIG. 3 is a front elevational view of the hatclip of FIG. 1.

FIG. 4 is a rear elevational view of the hatclip of FIG. 1.

FIG. 5 is a bottom plan view of the hatclip of FIG. 1.

See application file for complete search history.

FIG. 6 is a left side elevational view of the hatclip of FIG. 1.

(56) **References Cited**

FIG. 7 is a right side elevational view of the hatclip of FIG. 1; and

**U.S. PATENT DOCUMENTS**

609,486 A	8/1898	Wilson	
2,153,611 A	4/1939	Cavanagh	
2,586,740 A	2/1952	Swanson	
3,343,230 A	9/1967	Darvie	
3,465,474 A	9/1969	Gardel et al.	
3,487,744 A *	1/1970	Montana	411/346
3,596,289 A	8/1971	Adickes	
4,020,532 A	5/1977	Lichter	
4,098,509 A	7/1978	Van Krevelen	
4,406,040 A	9/1983	Cannone	
D291,532 S *	8/1987	Hill	D8/395
4,905,406 A	3/1990	Warner	
5,246,749 A	9/1993	Handzlik	
5,462,471 A	10/1995	Power-Fardy	
5,530,970 A	7/1996	Knutson	
D391,152 S *	2/1998	Lane et al.	D8/395
D393,417 S *	4/1998	Glickman et al.	D8/382

FIG. 8 is an upper front perspective view of a hatclip according to the present invention.

FIG. 9 is a front elevational view of the hatclip of FIGS. 1 and 8.

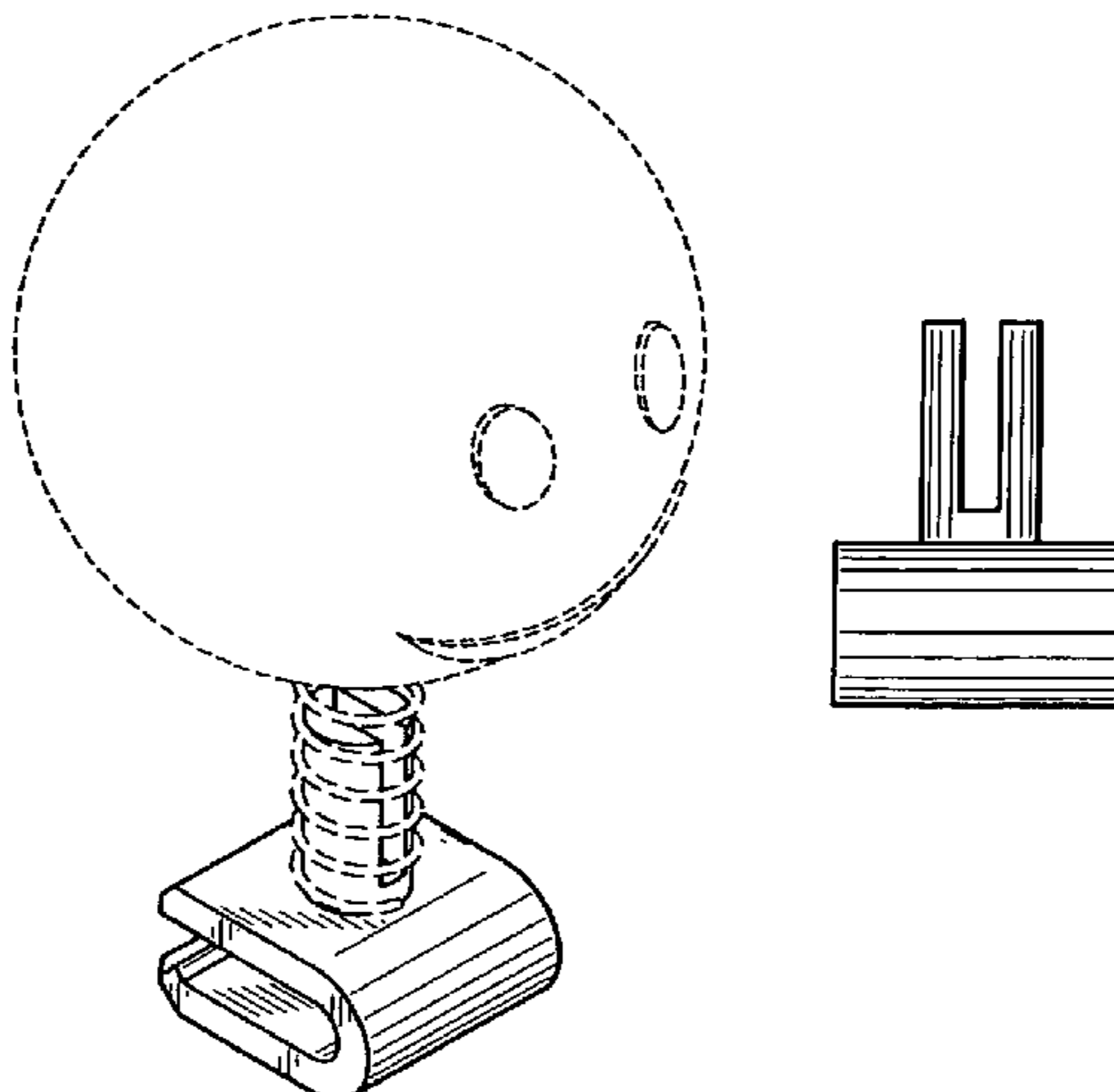
FIG. 10 is a rear elevational view of the hatclip of FIGS. 1 and 8.

FIG. 11 is a left side elevational view of the hatclip of FIGS. 1 and 8; and,

FIG. 12 is a right side elevational view of the hatclip of FIGS. 1 and 8.

The broken line portions of the disclosure are for illustrative purposes only and form no part of the claimed design.

**1 Claim, 5 Drawing Sheets**



# US D550,549 S

Page 2

---

U.S. PATENT DOCUMENTS					
			D476,881 S *	7/2003	Niwa ..... D8/395
5,903,925 A	5/1999	Engebretson	6,694,526 B1	2/2004	Tate
6,168,286 B1	1/2001	Duffy	D510,019 S *	9/2005	Davis ..... D8/395
6,206,543 B1	3/2001	Henry	2003/0051317 A1	3/2003	Preziosi et al.
6,481,060 B1	11/2002	Tsai			
D472,798 S *	4/2003	Kalbach ..... D8/396			* cited by examiner

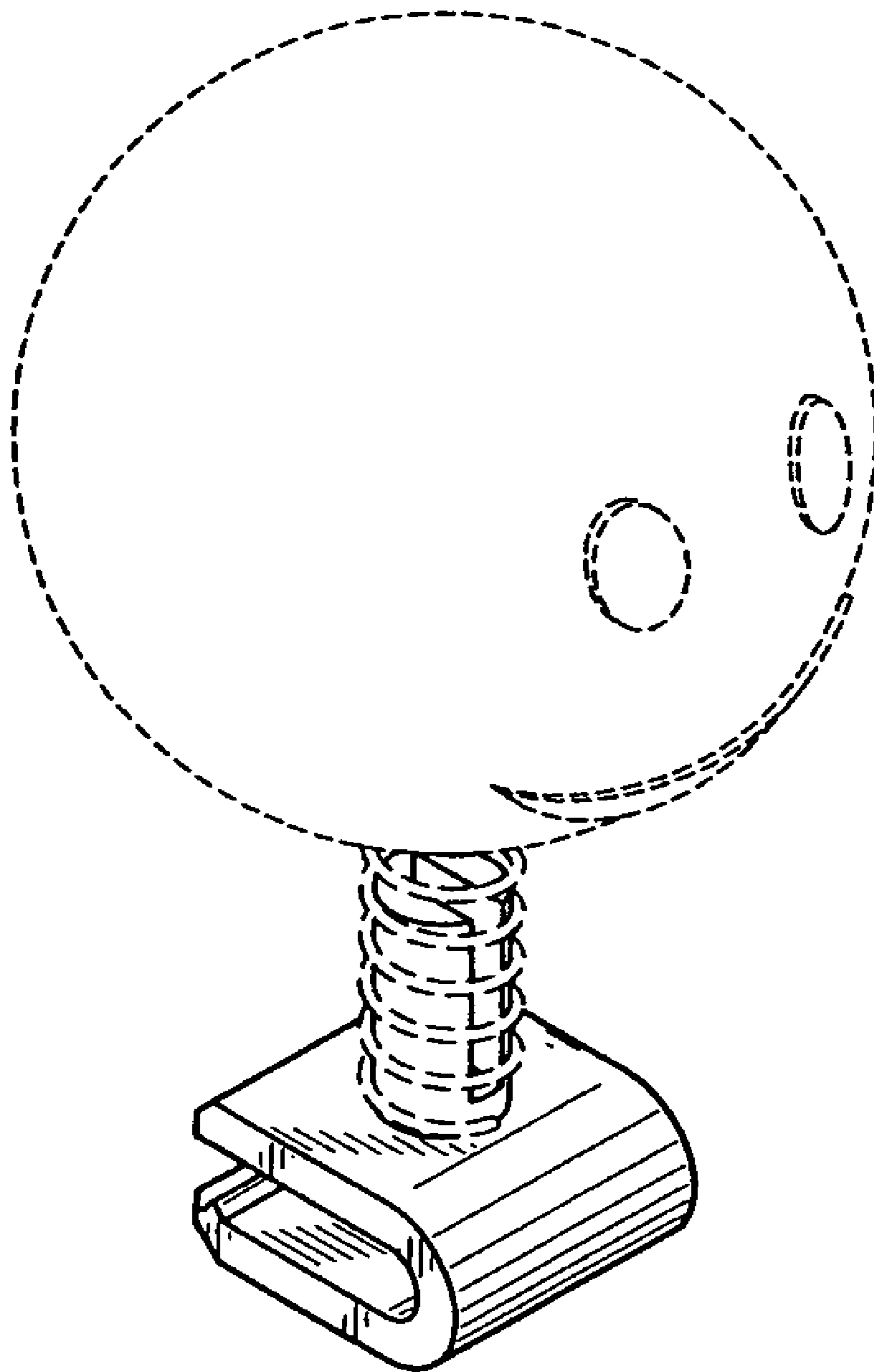


FIG. 1

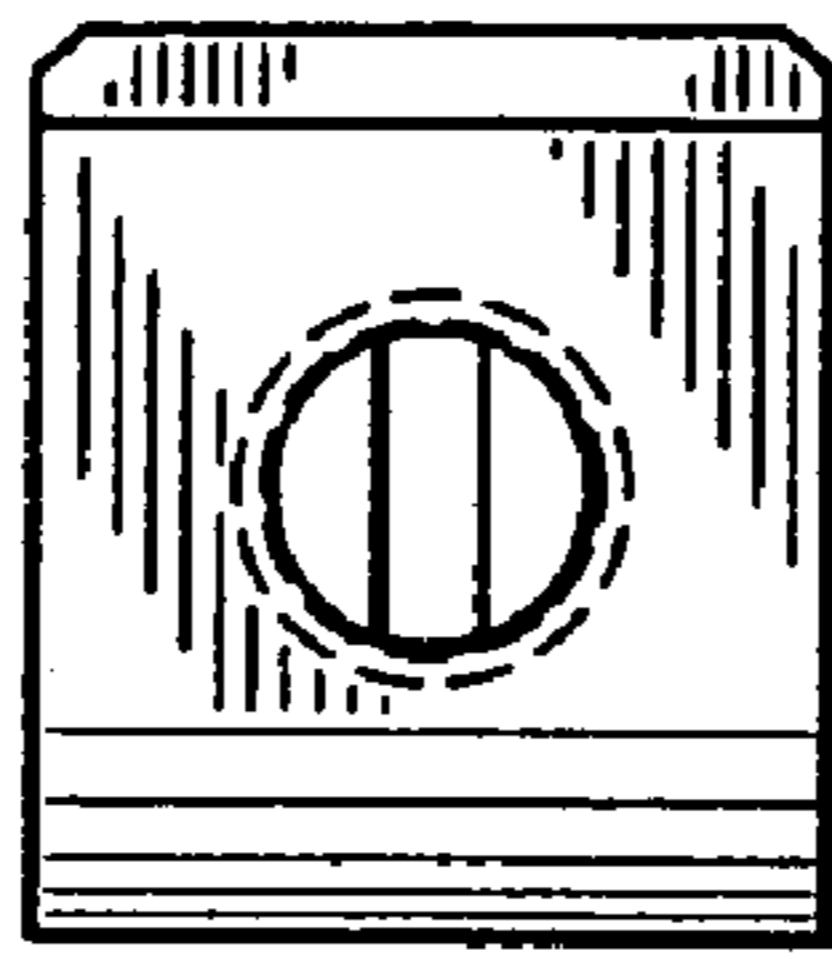


FIG. 2

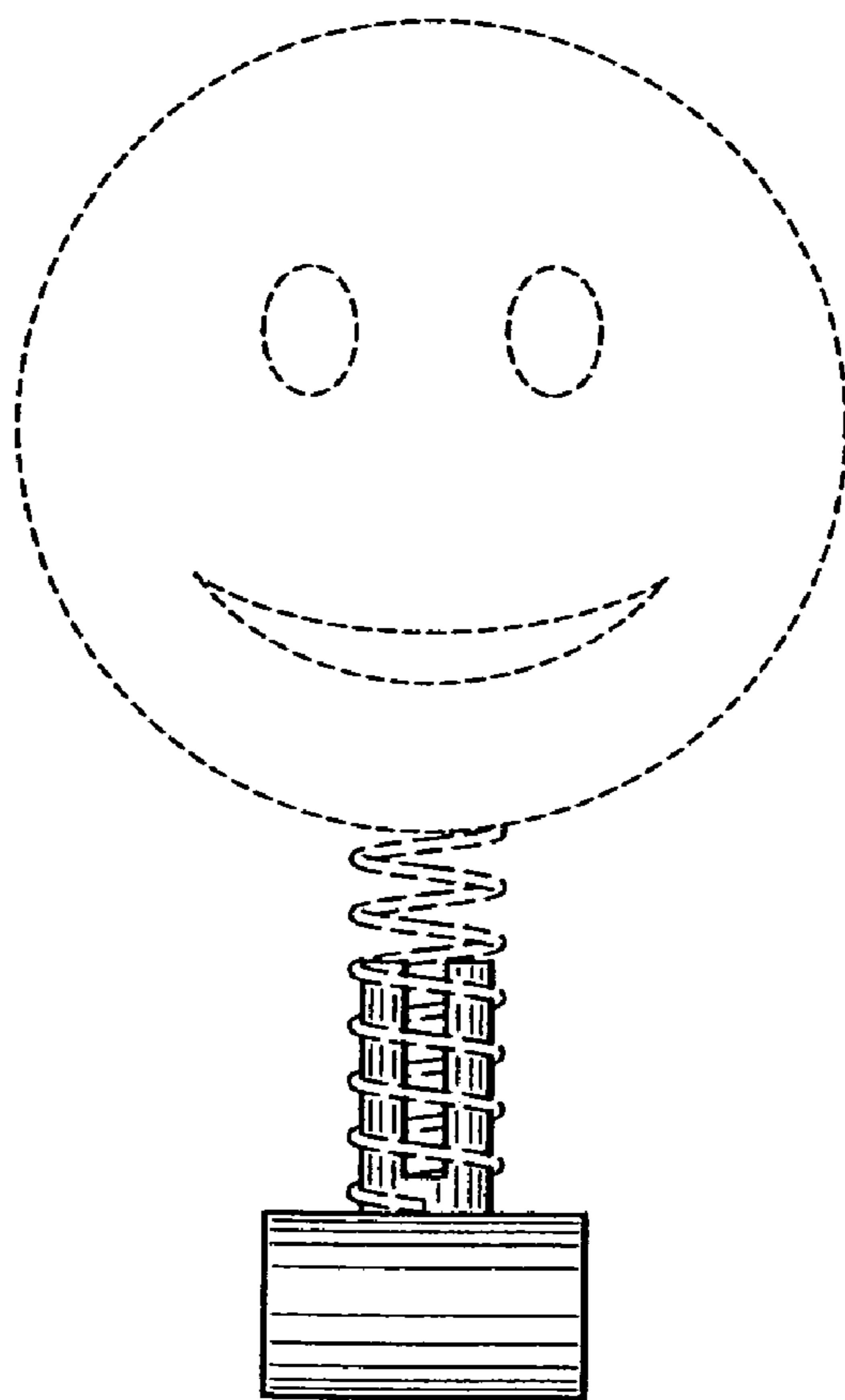


FIG. 3

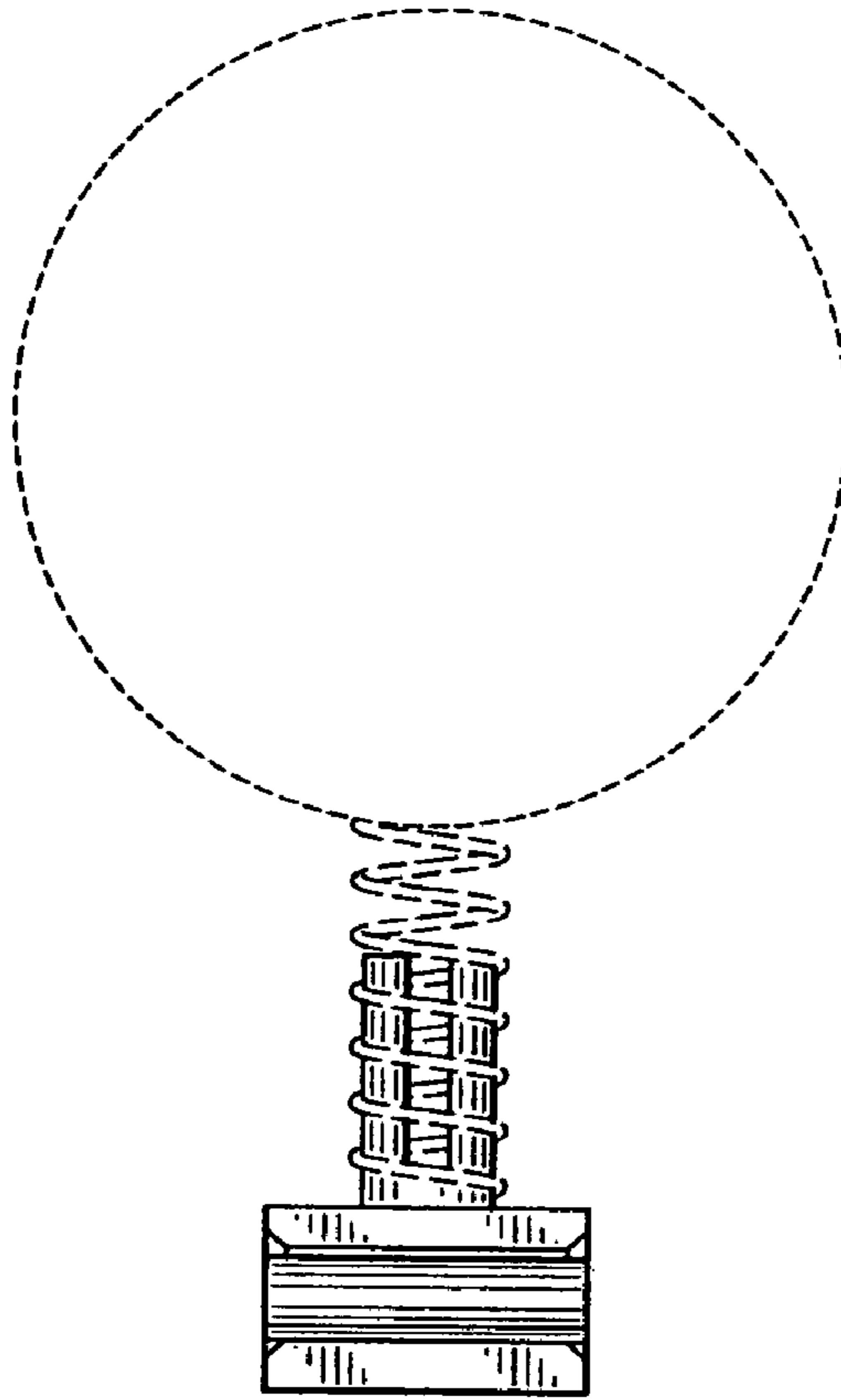


FIG. 4

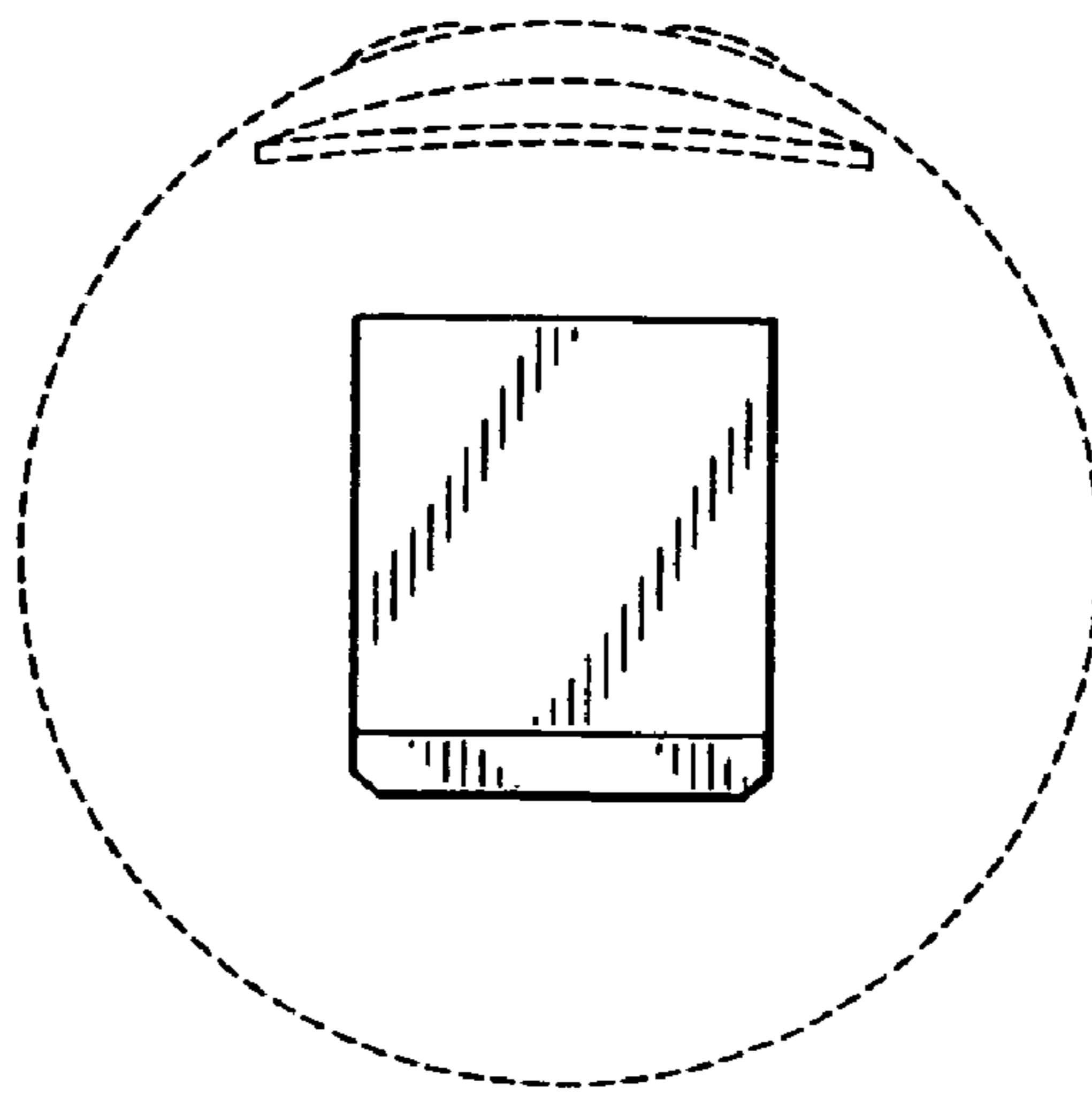
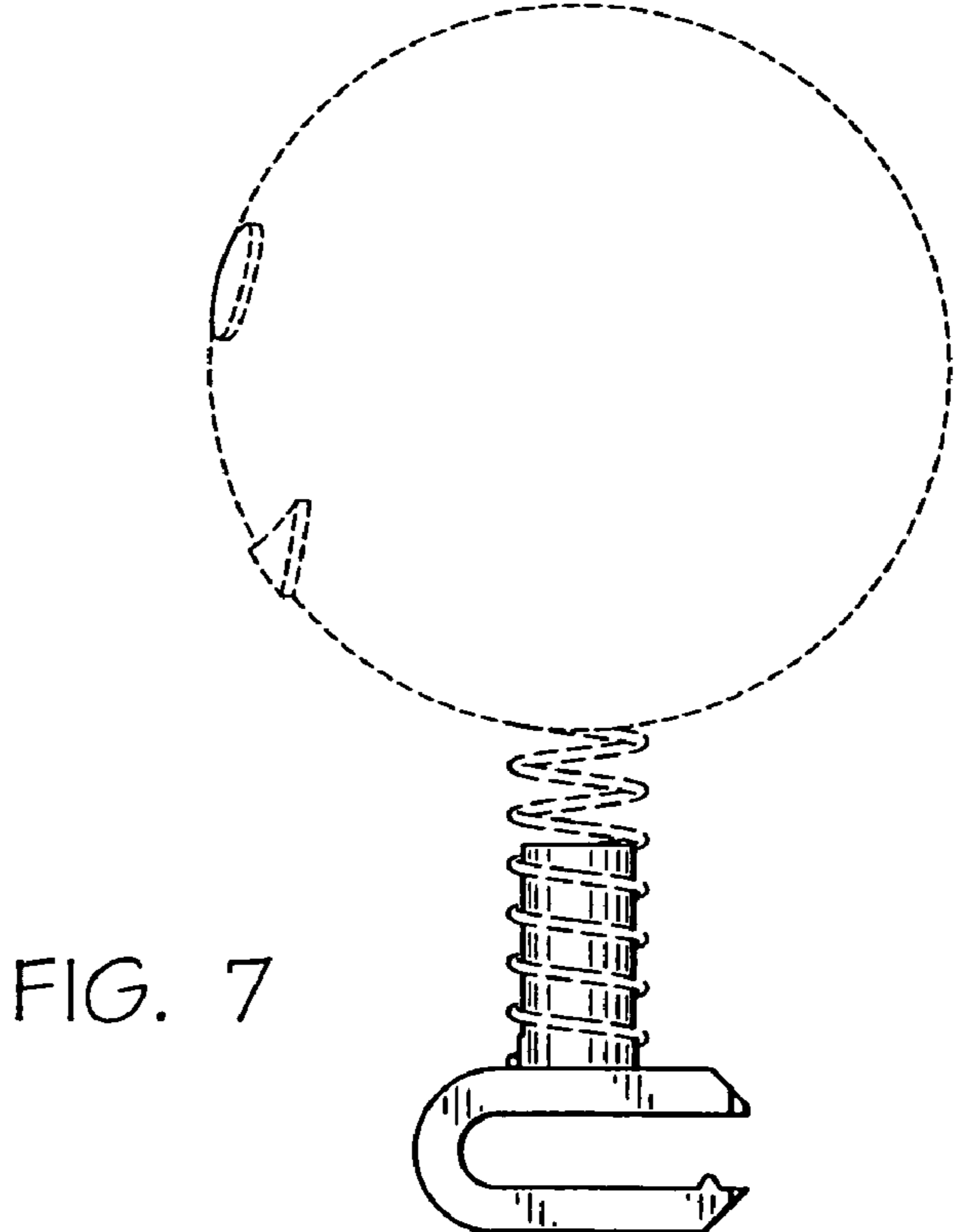
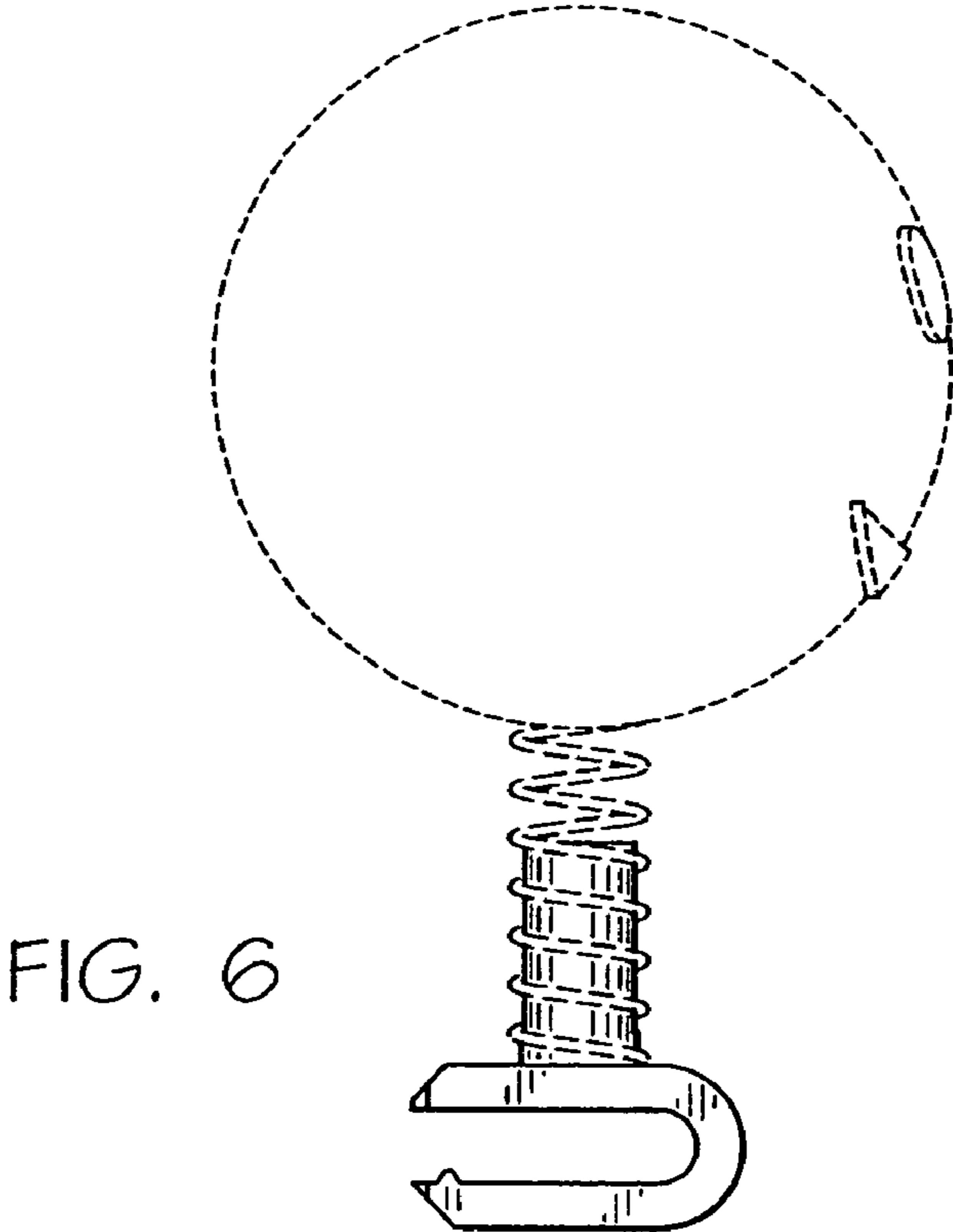


FIG. 5



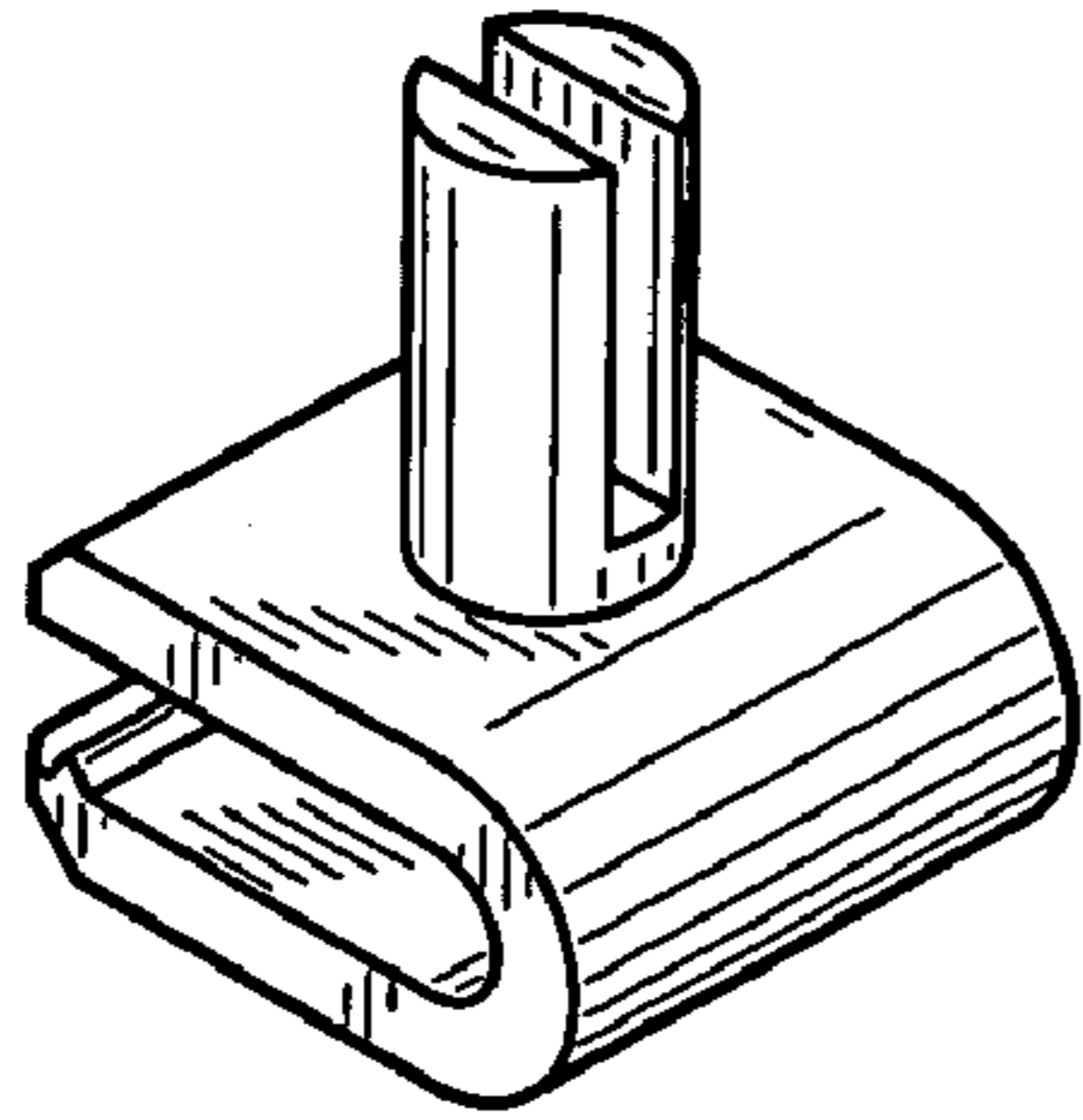


FIG. 8

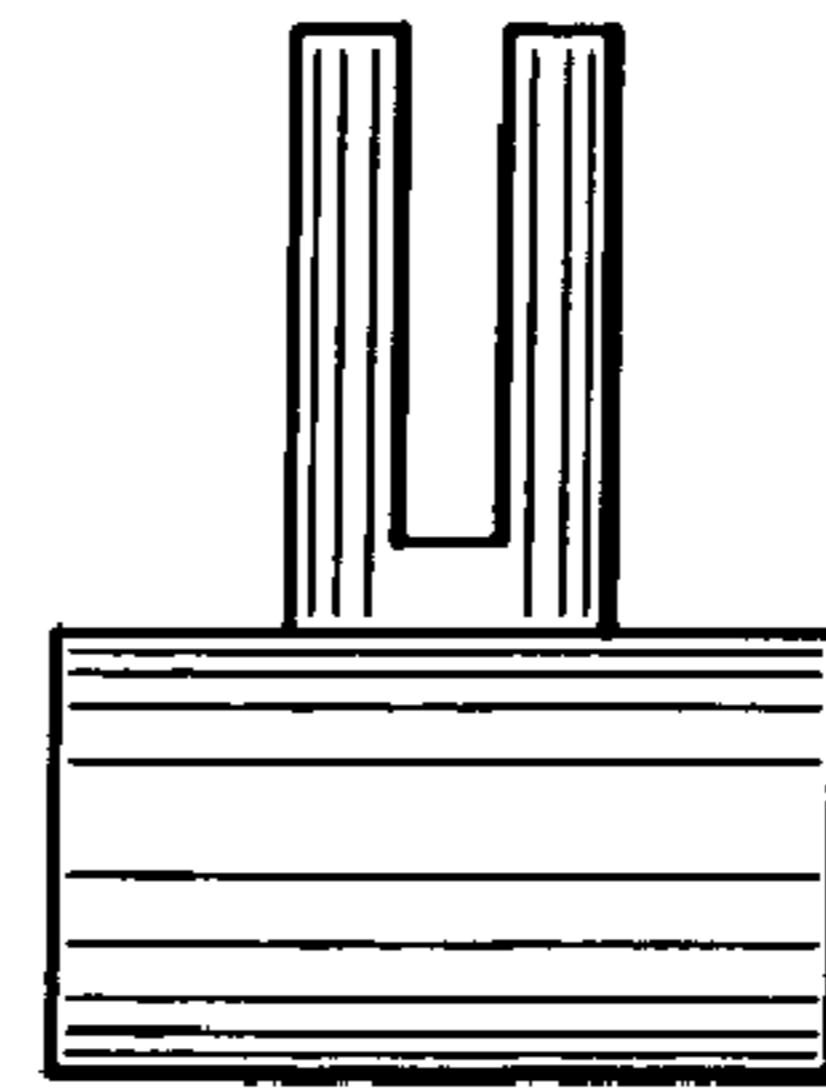


FIG. 9

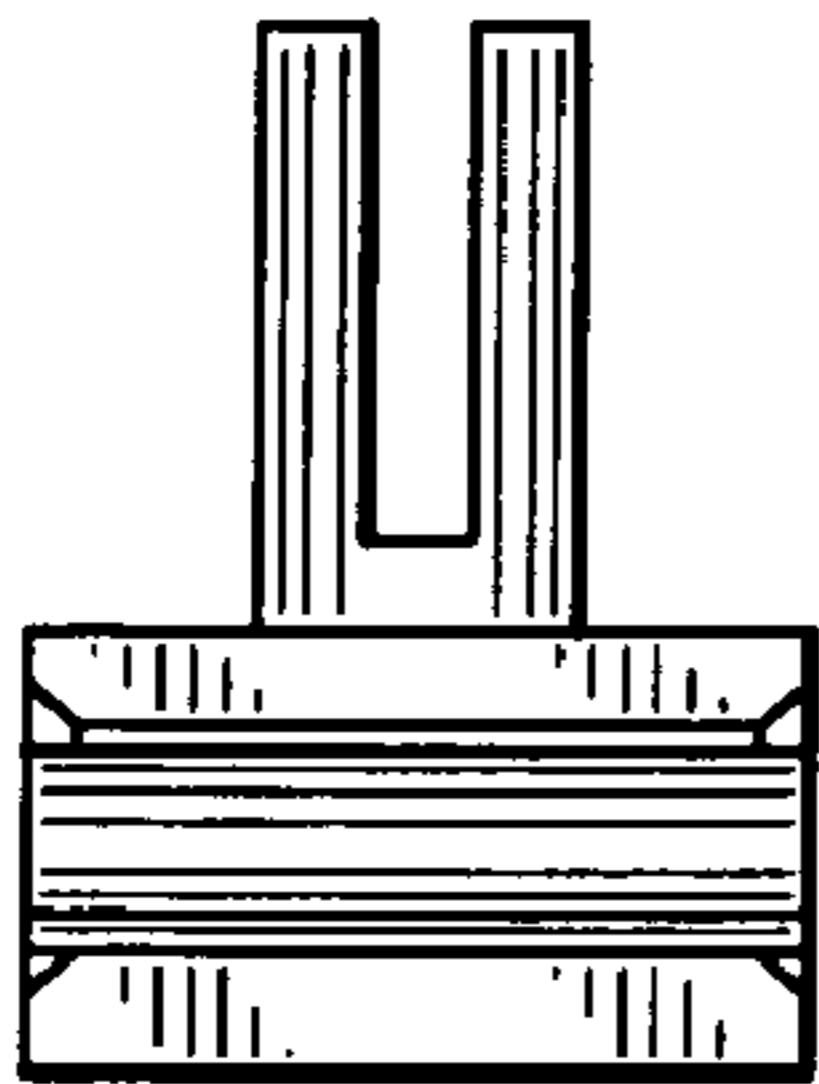


FIG. 10

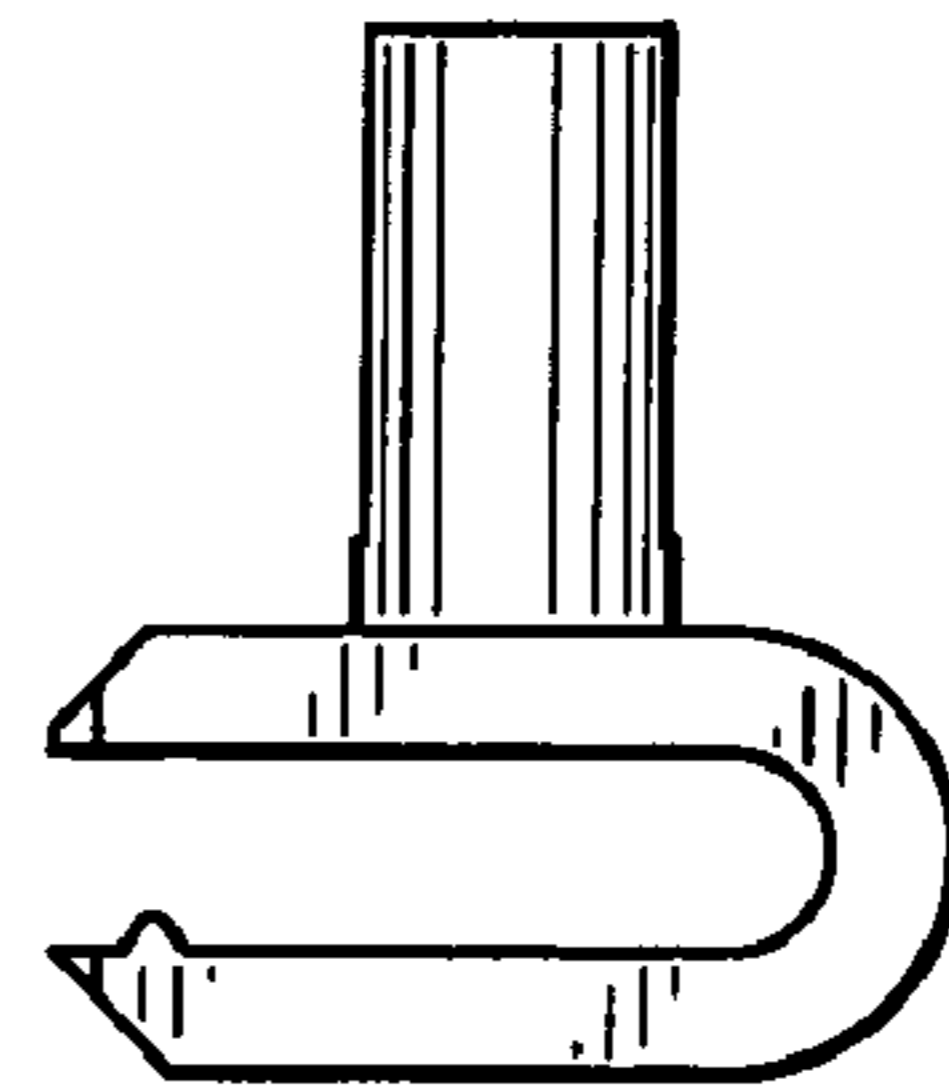


FIG. 11

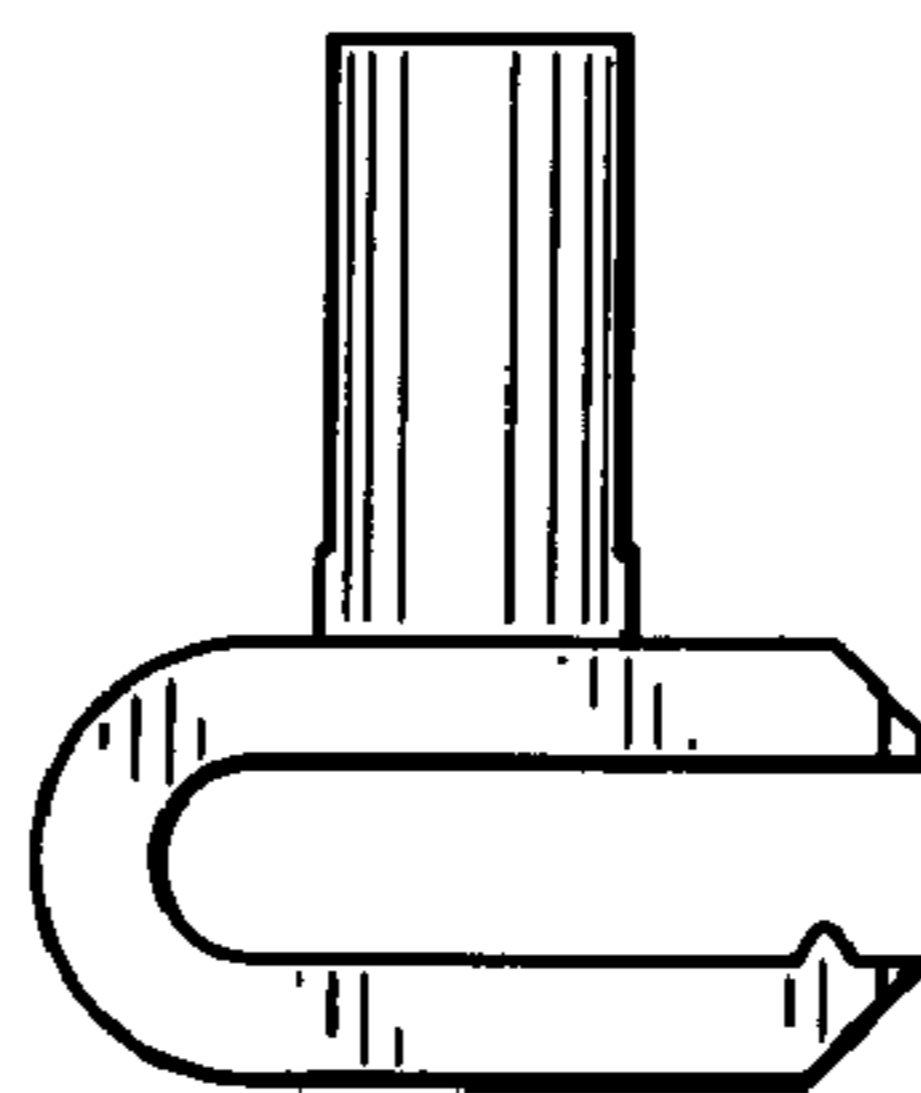


FIG. 12