



US00D550548S

(12) **United States Design Patent**
Yamamoto

(10) **Patent No.:** **US D550,548 S**

(45) **Date of Patent:** **** Sep. 11, 2007**

(54) **FIXING DEVICE**

(75) Inventor: **Yasuo Yamamoto**, Yokohama (JP)

(73) Assignee: **Nifco Inc.**, Yokohama-shi (JP)

(**) Term: **14 Years**

(21) Appl. No.: **29/222,989**

(22) Filed: **Feb. 8, 2005**

(30) **Foreign Application Priority Data**

Sep. 1, 2004 (JP) 2004-026411

(51) **LOC (8) Cl.** **08-08**

(52) **U.S. Cl.** **D8/394**

(58) **Field of Classification Search** D8/356,
D8/371, 394-396; D19/65, 56; 24/22, 67 R,
24/20 S, 115 R, 546, 563, 910, 343, 67.9;
248/74.2, 215, 227.1, 49, 300, 301, 316.7,
248/51, 489

See application file for complete search history.

(56) **References Cited**

U.S. PATENT DOCUMENTS

D302,938 S * 8/1989 Fujioka D8/356
D448,987 S * 10/2001 Davis D8/394
6,926,237 B2 * 8/2005 Sheryk et al. 248/71
D520,865 S * 5/2006 Wakabayashi D8/396

* cited by examiner

Primary Examiner—Louis S. Zarfes
Assistant Examiner—John Windmuller

(74) *Attorney, Agent, or Firm*—Manabu Kanesaka

(57) **CLAIM**

The ornamental design for a fixing device, as shown and described.

DESCRIPTION

FIG. 1 is a top plan view of a fixing device showing my new design;

FIG. 2 is a bottom plan view thereof;

FIG. 3 is a front elevational view thereof;

FIG. 4 is a rear elevational view thereof;

FIG. 5 is a right side elevational view thereof, the left side elevational view being a mirror image thereof;

FIG. 6 is a sectional elevational view thereof taken along line 6—6 in FIG. 1;

FIG. 7 is a sectional elevational view thereof taken along line 7—7 in FIG. 1;

FIG. 8 is a sectional elevational view thereof taken along line 8—8 in FIG. 3; and,

FIG. 9 is a sectional elevational view thereof taken along line 9—9 in FIG. 3.

1 Claim, 3 Drawing Sheets

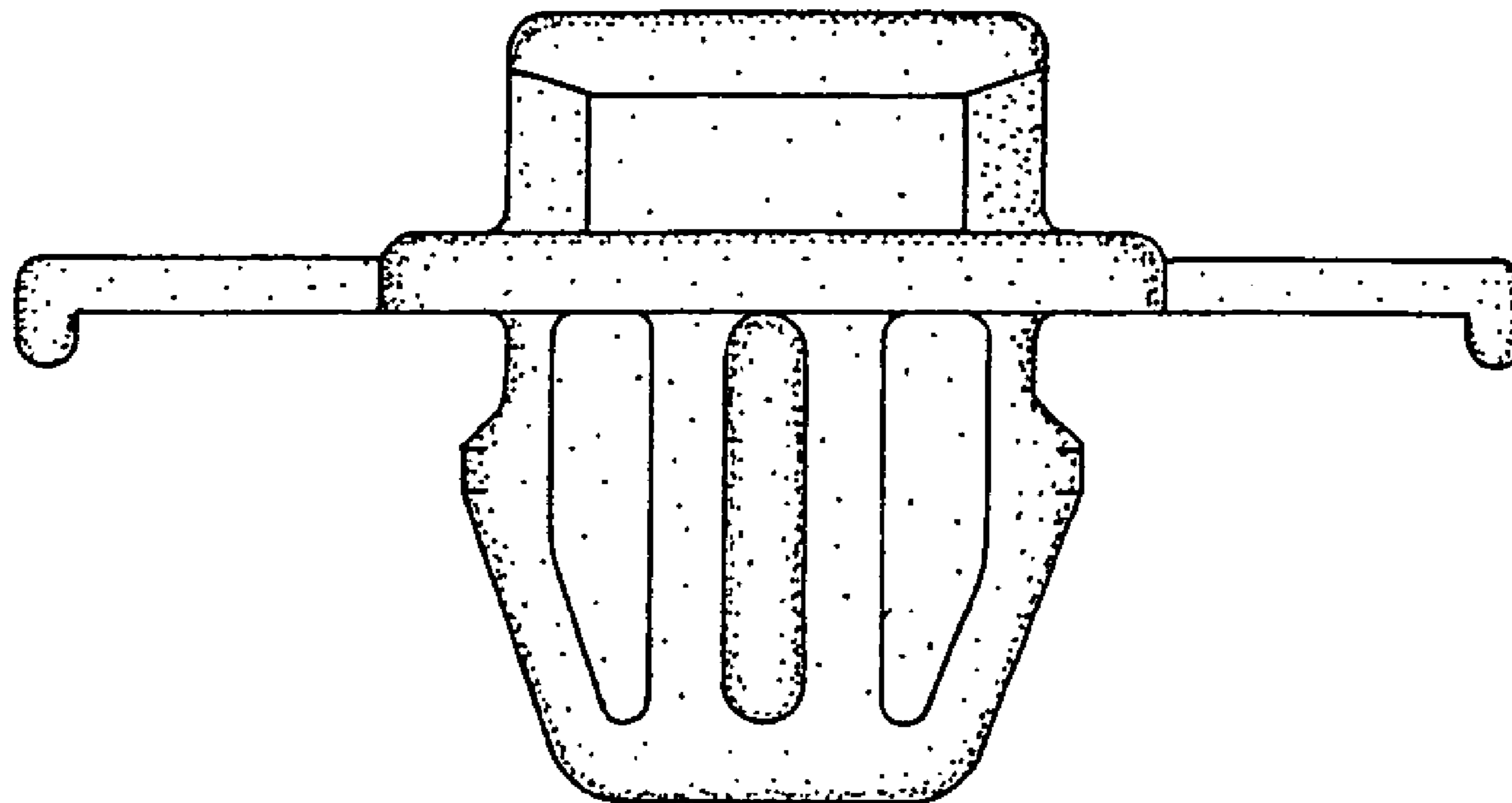


FIG. 1

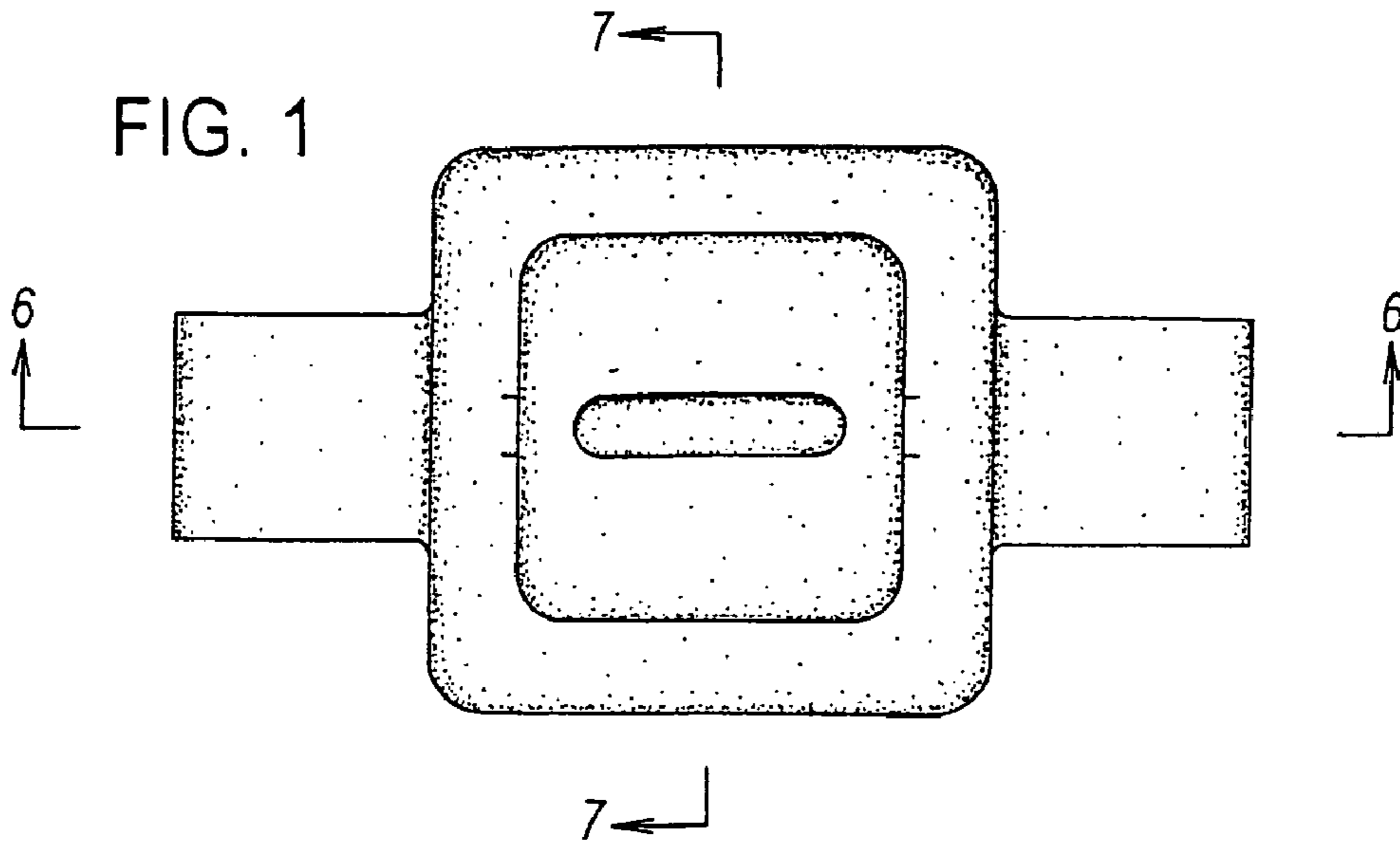


FIG. 2

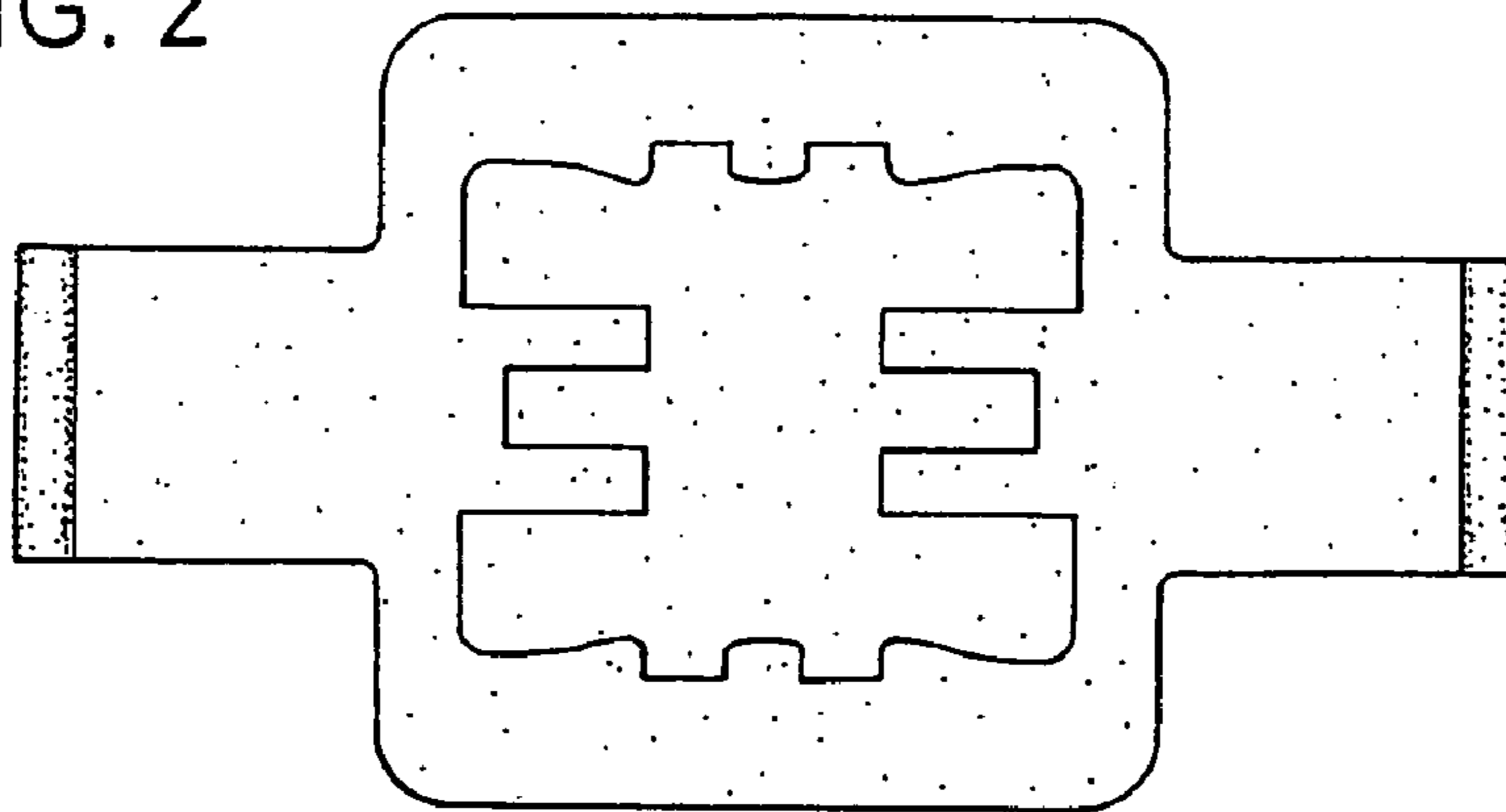


FIG. 3

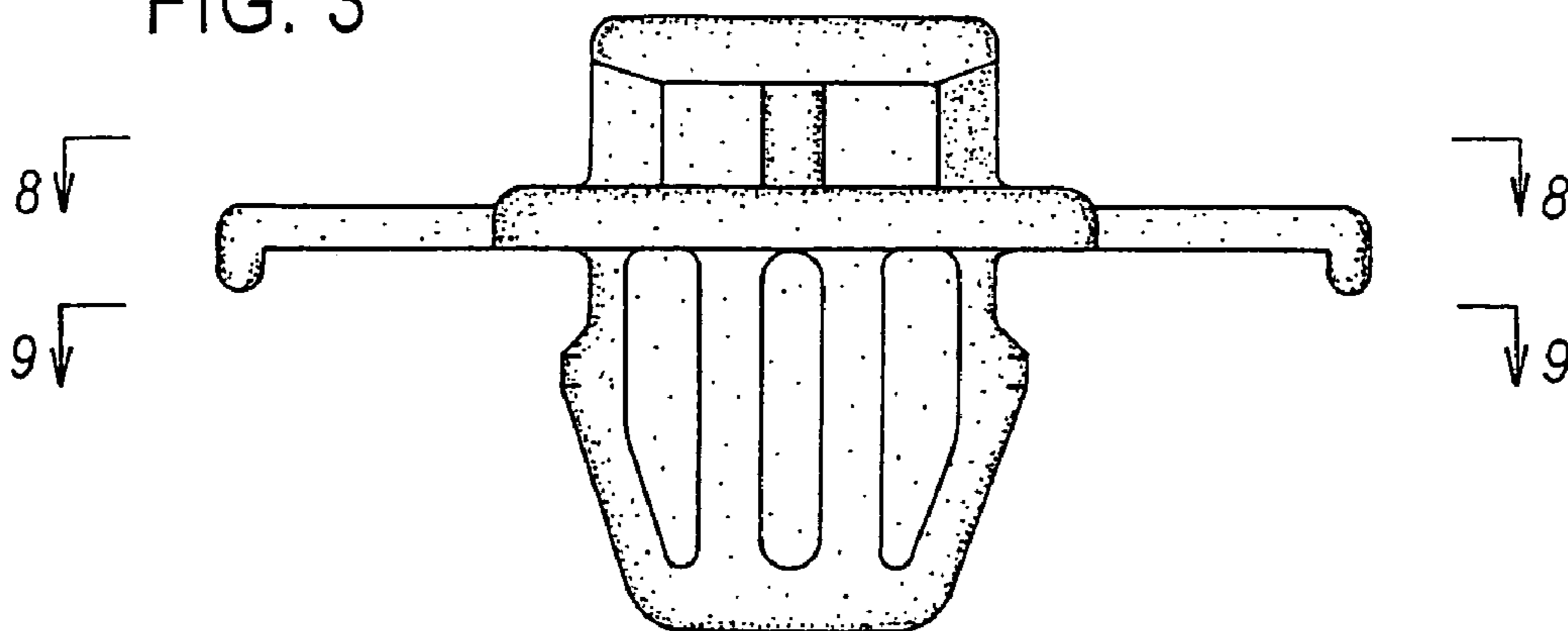


FIG. 4

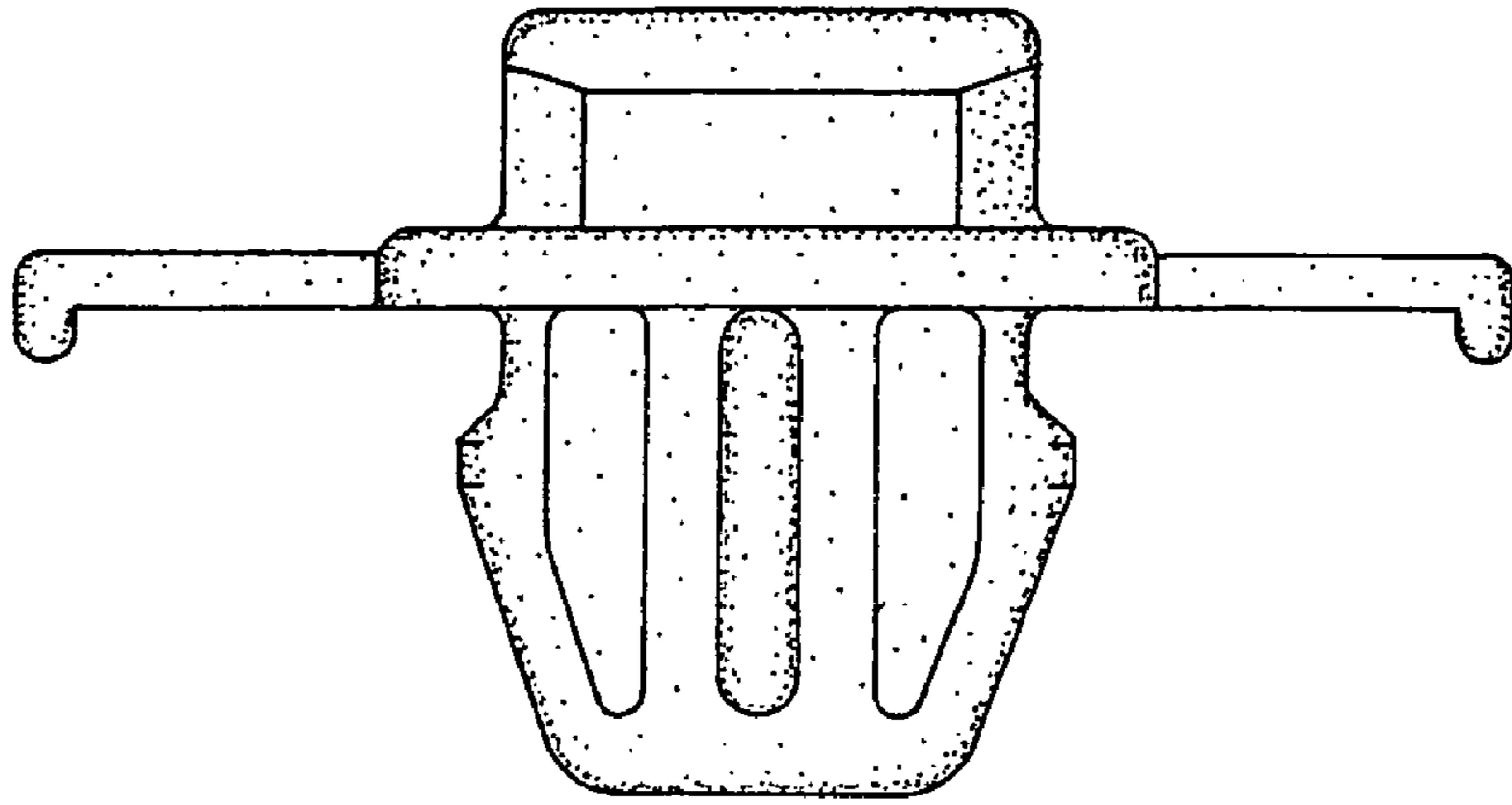


FIG. 5

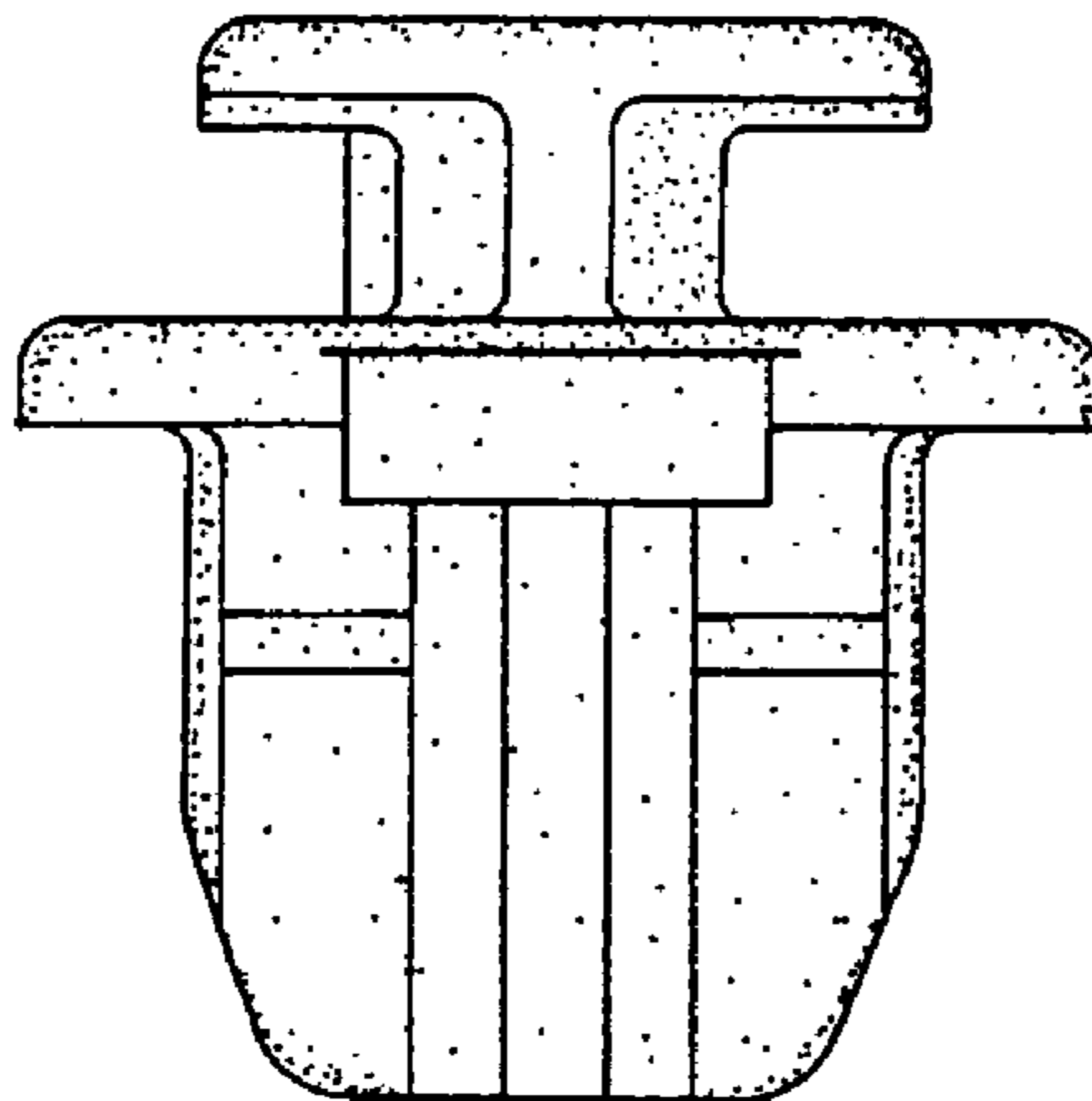


FIG. 6

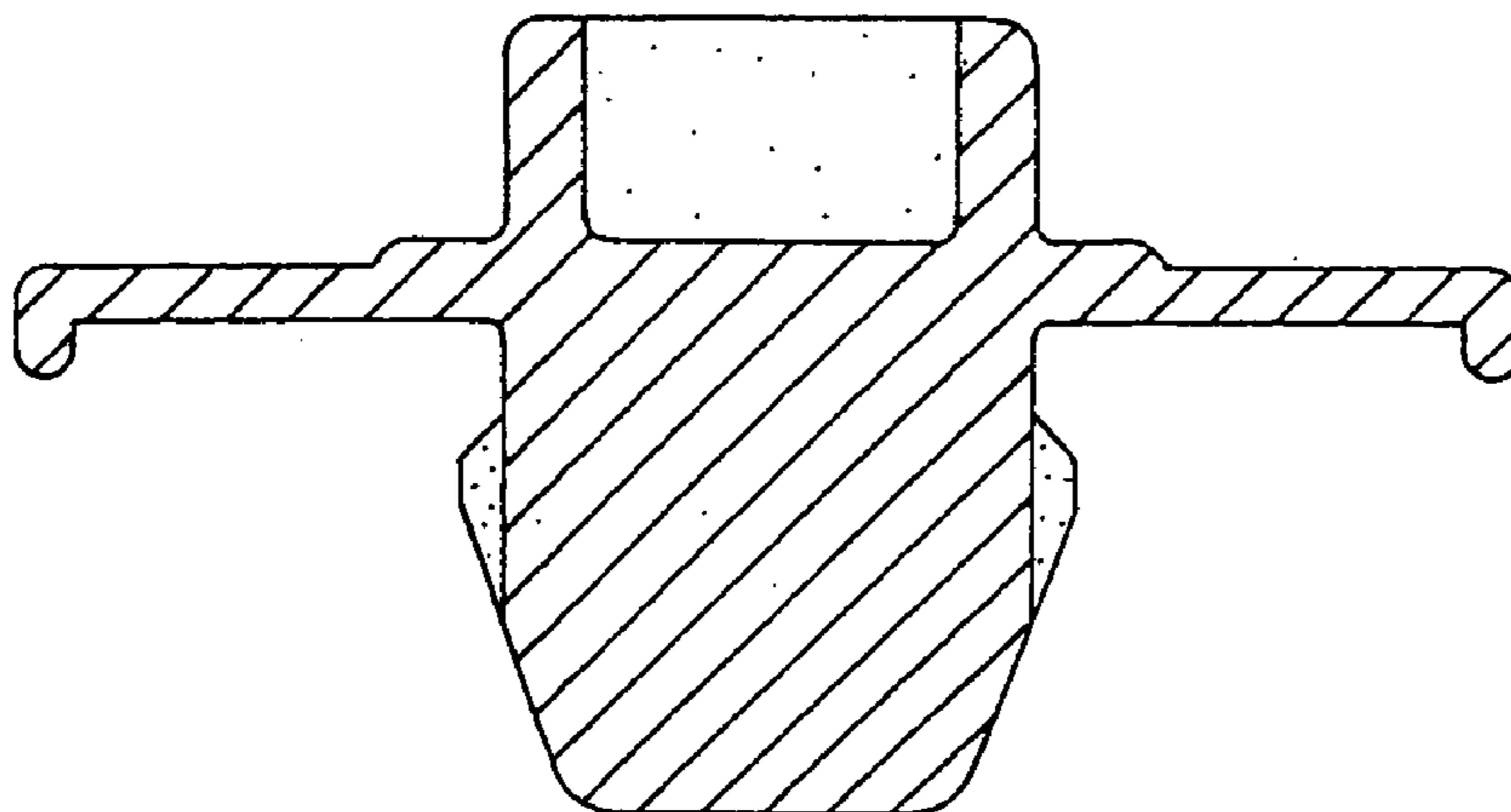


FIG. 7

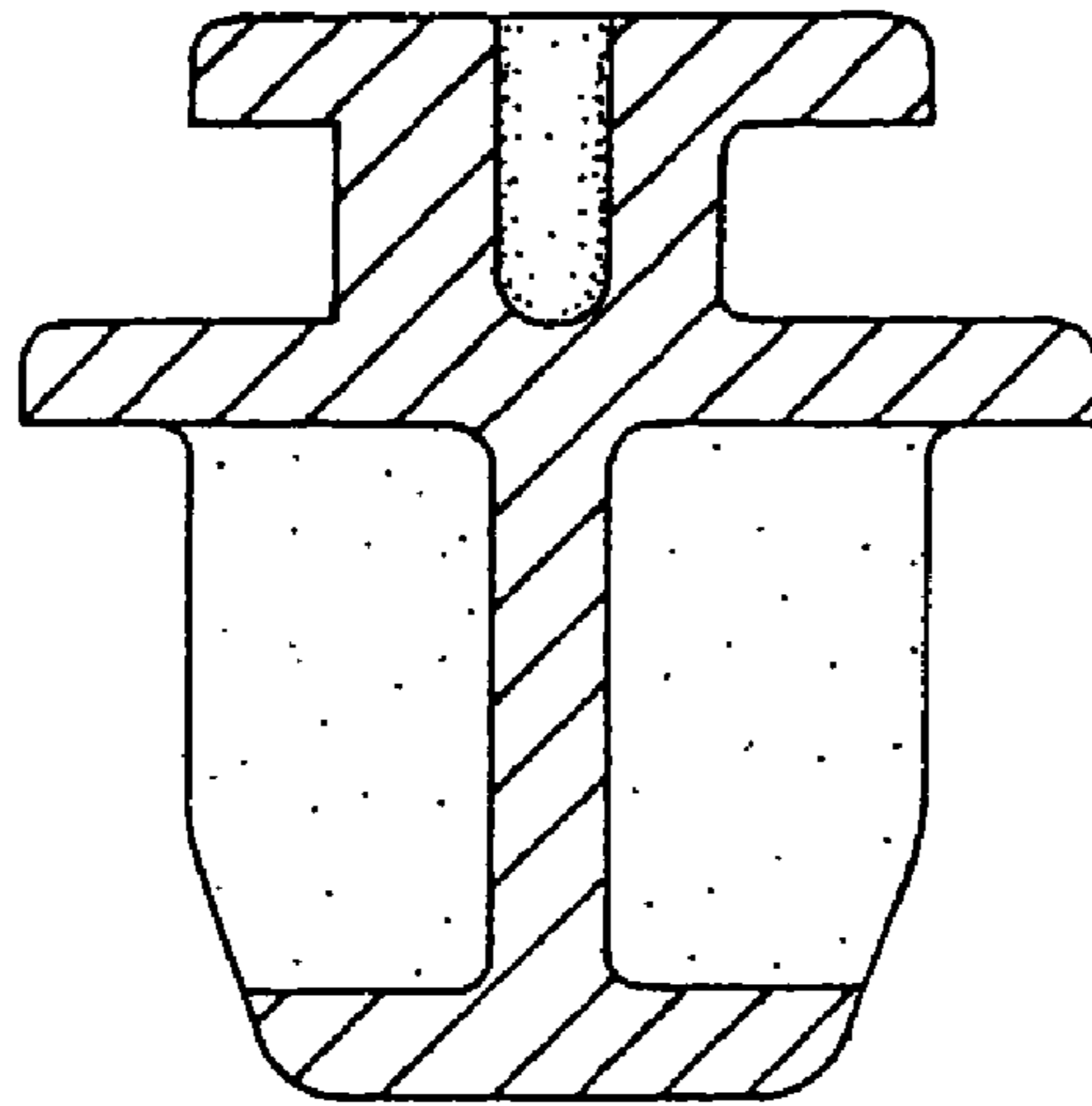


FIG. 8

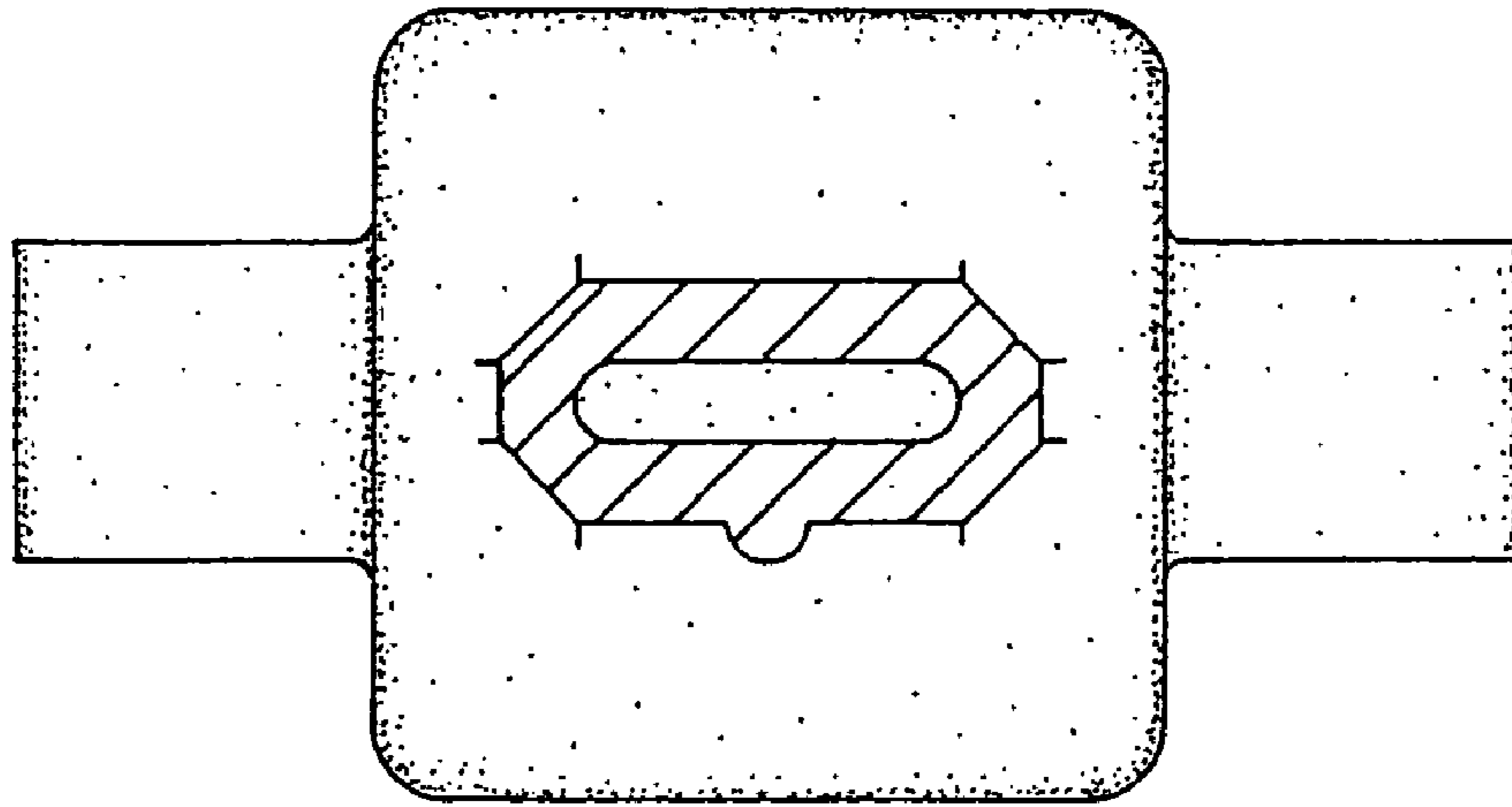


FIG. 9

