



US00D550547S

(12) **United States Design Patent**  
**Sato**

(10) **Patent No.:** **US D550,547 S**

(45) **Date of Patent:** **\*\* Sep. 11, 2007**

(54) **HOLDER FOR A GLASS SHELF OF FURNITURE**

D505,613 S \* 5/2005 Sato ..... D8/367  
D510,518 S \* 10/2005 Sato ..... D8/402

(75) Inventor: **Genichi Sato**, Tokyo (JP)

\* cited by examiner

(73) Assignee: **Sugatsune Kogyo Co., Ltd.**,  
Chiyoda-ku (JP)

*Primary Examiner*—Robert M. Spear  
*Assistant Examiner*—Susan Bennett Hattan  
(74) *Attorney, Agent, or Firm*—Bacon & Thomas, PLLC

(\*\*) Term: **14 Years**

(57) **CLAIM**

(21) Appl. No.: **29/239,572**

The ornamental design for holder for a glass shelf of furniture, as shown and described.

(22) Filed: **Oct. 3, 2005**

(30) **Foreign Application Priority Data**

**DESCRIPTION**

Apr. 8, 2005 (JP) ..... 2005-010623

FIG. 1 is a plan view of holder for a glass shelf of furniture embodying my new design;

(51) **LOC (8) Cl.** ..... **08-05**

FIG. 2 is a front view thereof;

(52) **U.S. Cl.** ..... **D8/381**

FIG. 3 is a bottom view thereof;

(58) **Field of Classification Search** ..... D8/381,  
D8/380, 373, 402, 349; D6/574, 572, 556,  
D6/449, 367; 248/300, 298.1, 250, 247,  
248/243, 236, 235, 222.21-61, 214, 208;  
108/152, 108; 312/408, 404

FIG. 4 is a right side view thereof;

FIG. 5 is a rear view thereof;

See application file for complete search history.

FIG. 6 is a cross-sectional view thereof, taken in the direction of line 6-6 on FIG. 4;

FIG. 7 is a perspective view thereof; and,

FIG. 8 is a referential figure showing a state of use.

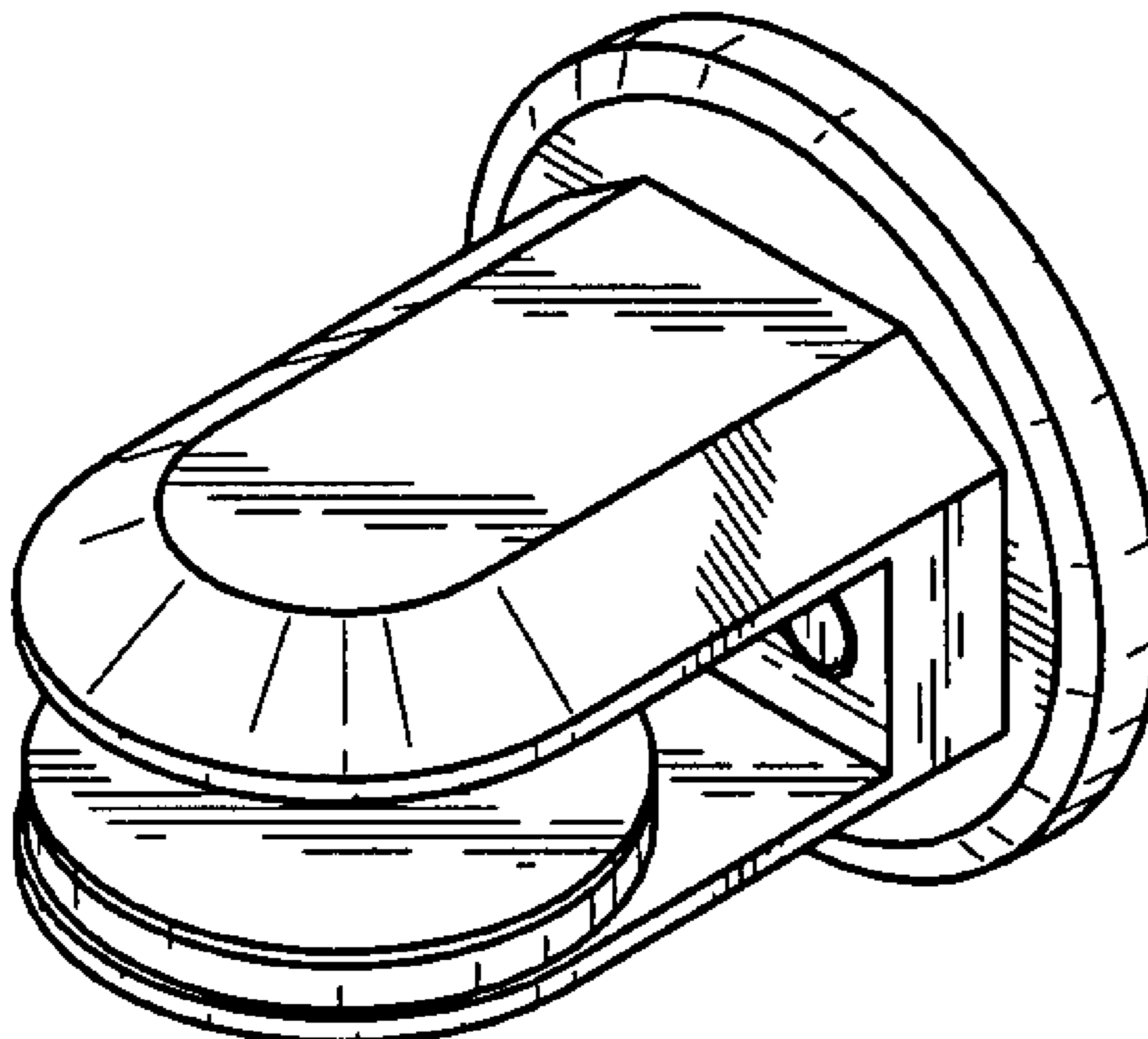
(56) **References Cited**

**U.S. PATENT DOCUMENTS**

D408,272 S \* 4/1999 Caron et al. .... D8/381  
D482,954 S \* 12/2003 Hoernig ..... D8/381  
D502,857 S \* 3/2005 Sato ..... D8/308

The broken lines on the drawings are for illustrative purposes only and form no part of the claimed design.

**1 Claim, 3 Drawing Sheets**



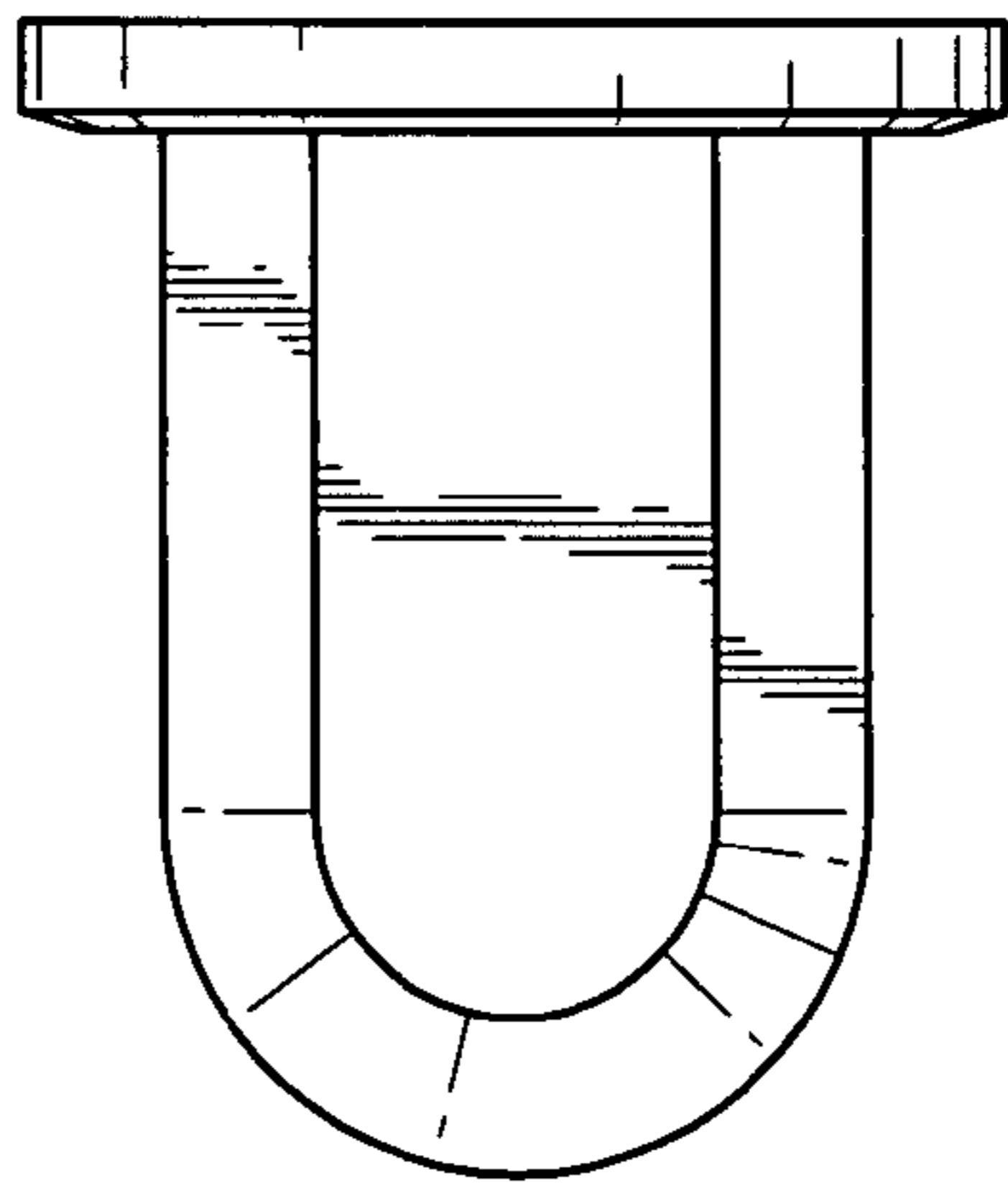


FIG. 1

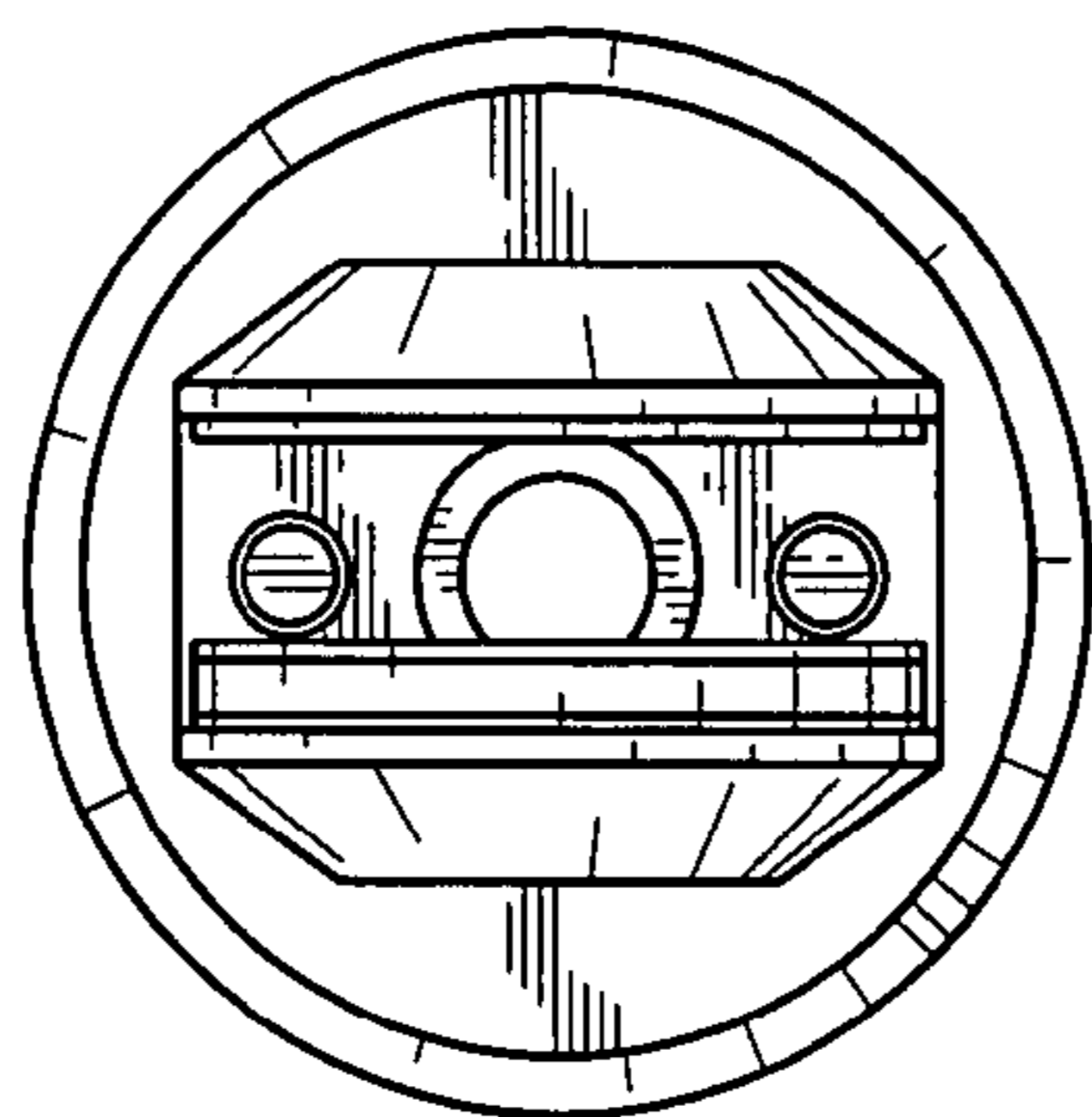


FIG. 2

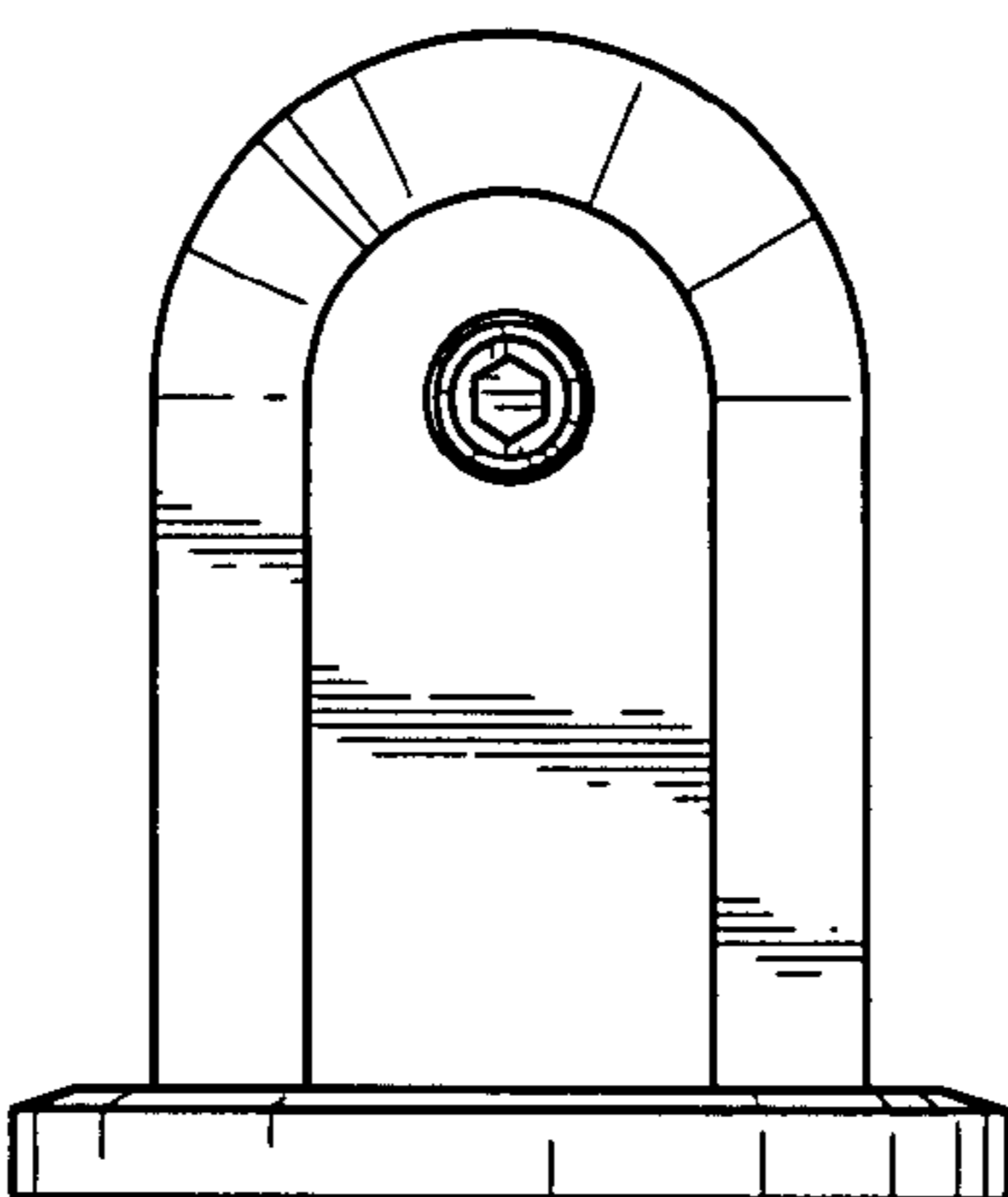


FIG. 3

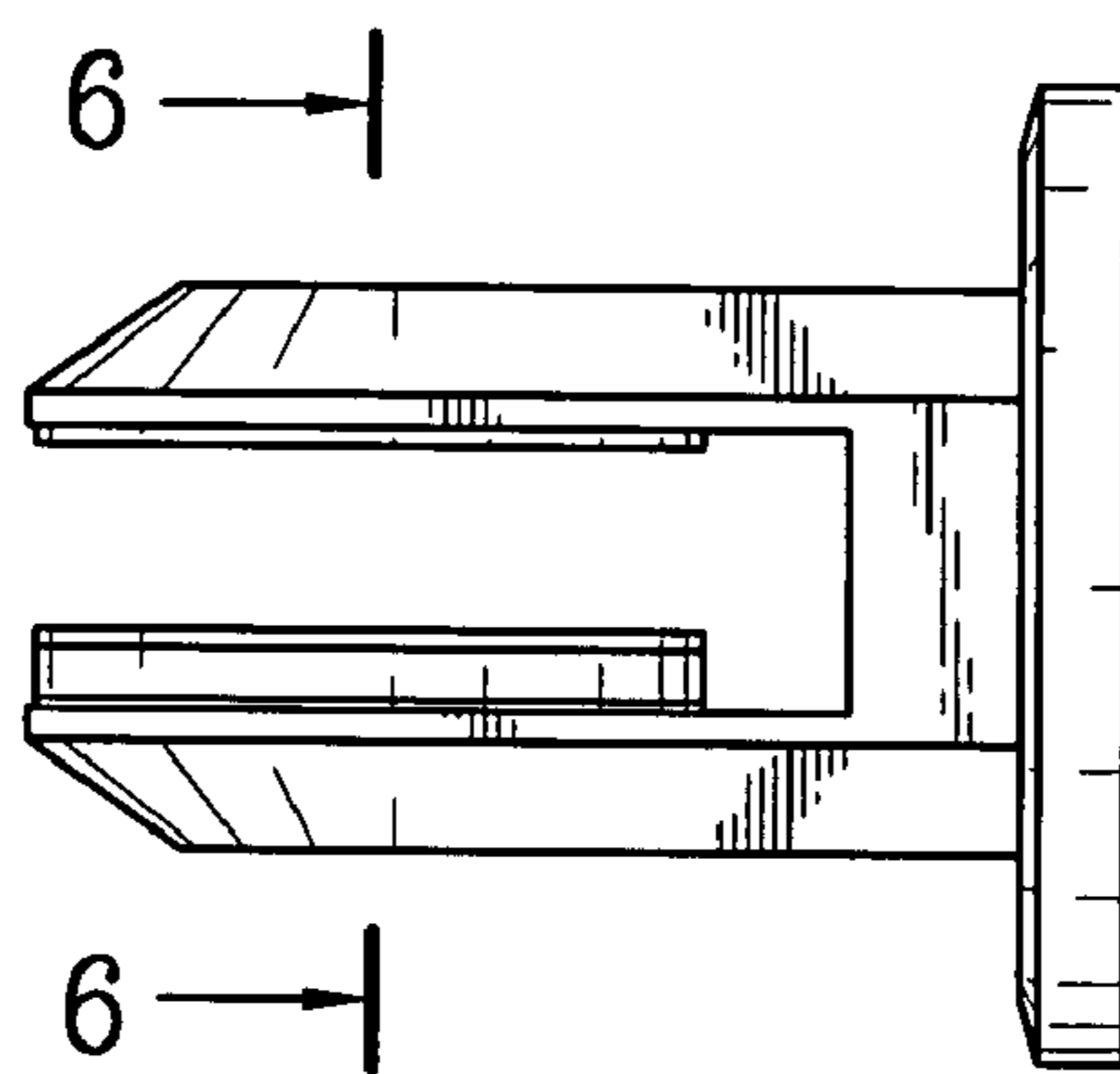


FIG. 4

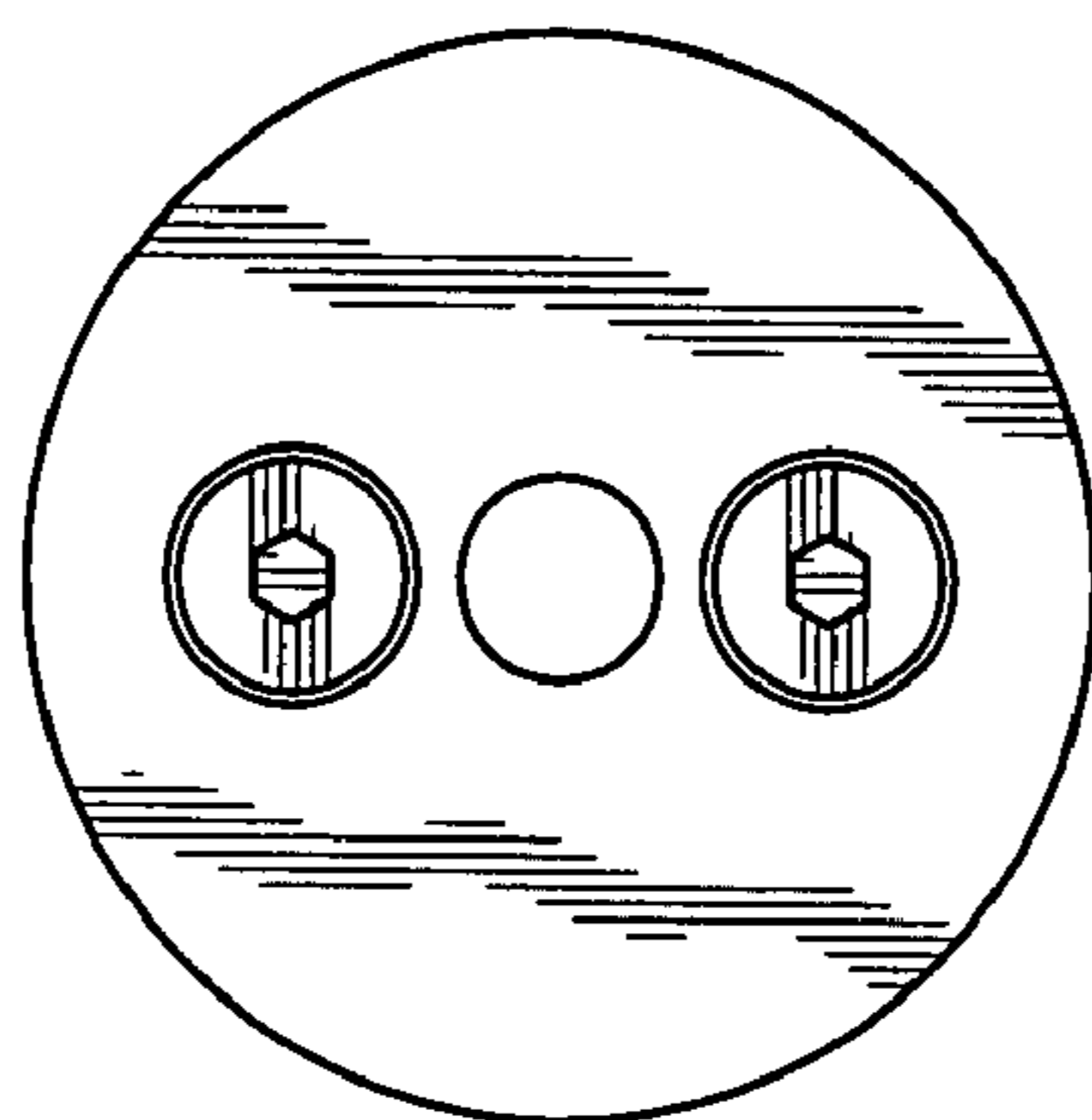


FIG. 5

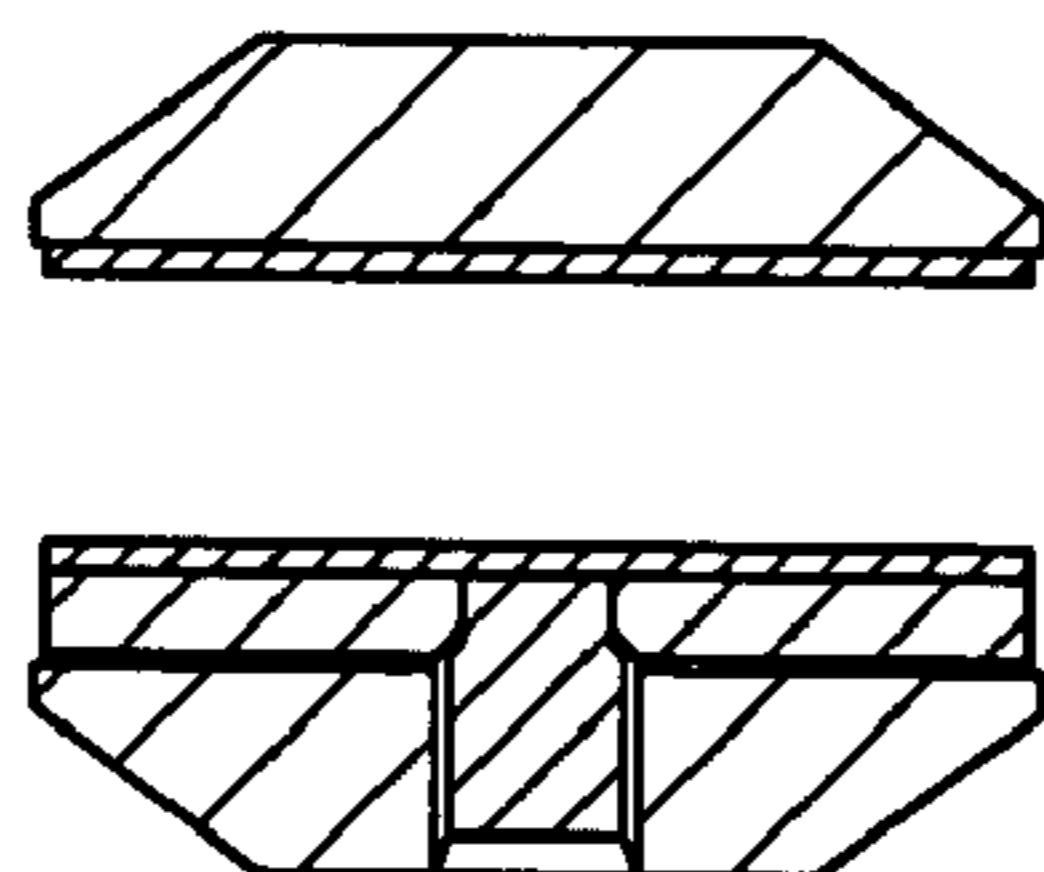


FIG. 6

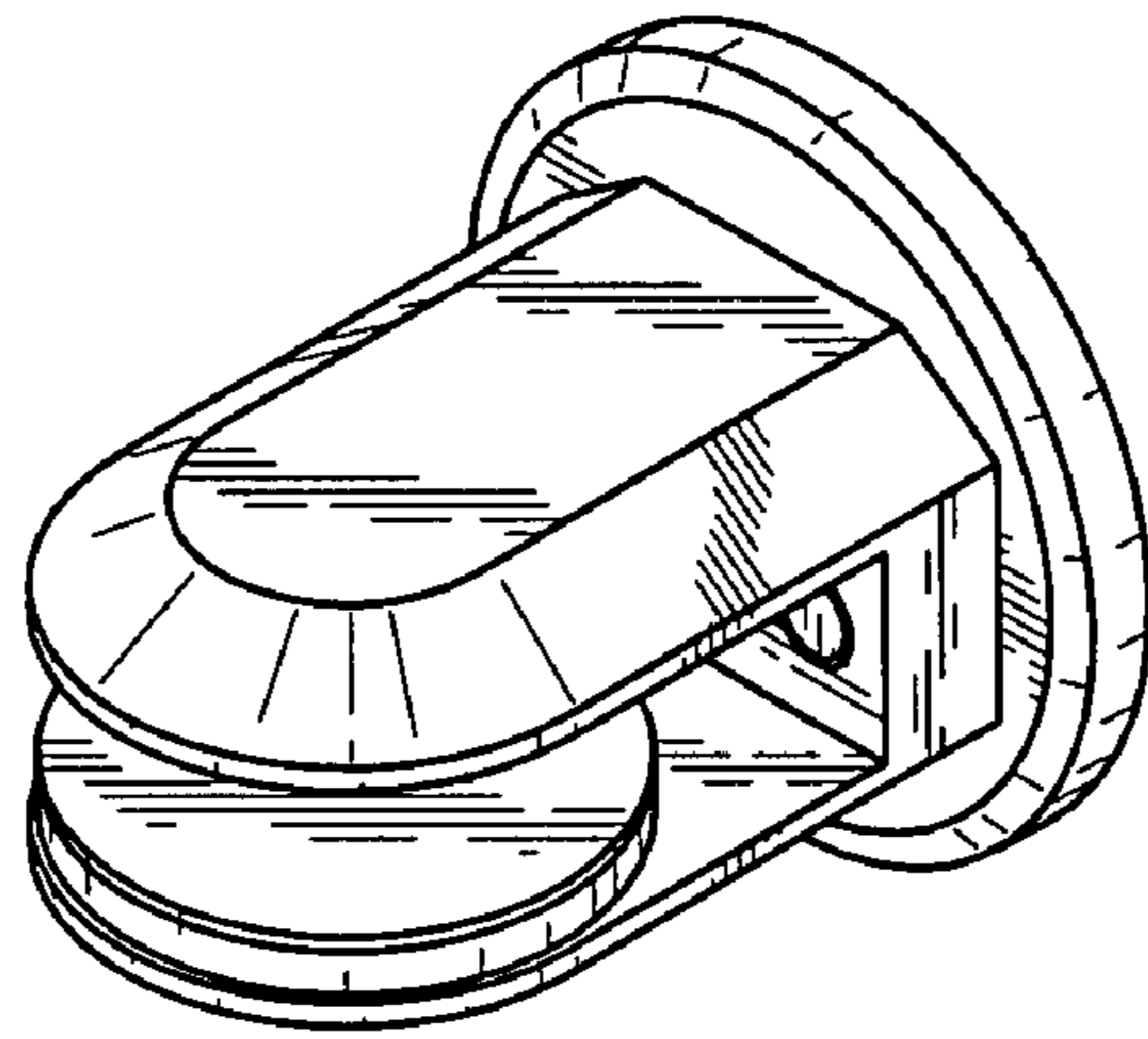


FIG. 7

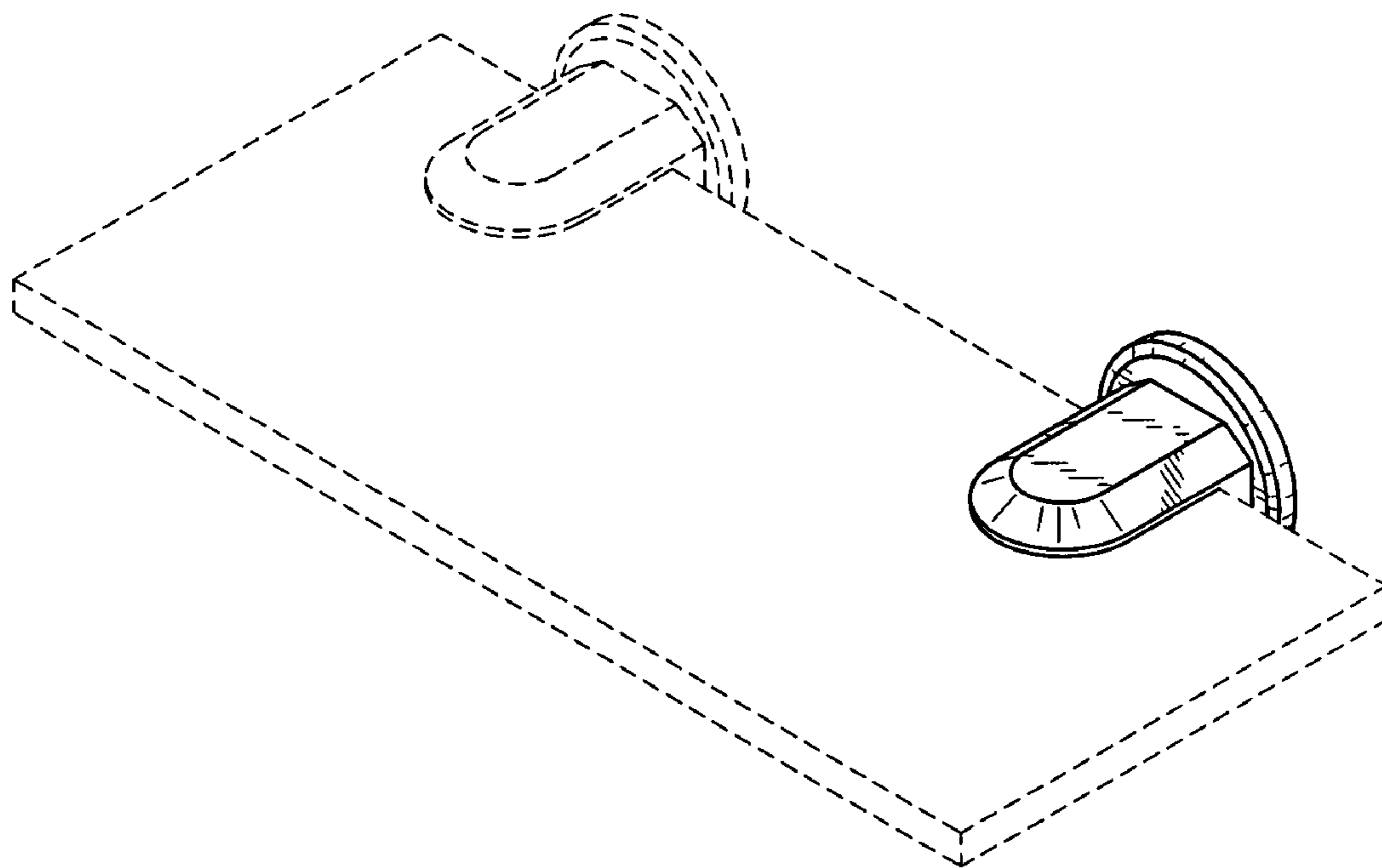


FIG. 8