



US00D550546S

(12) **United States Design Patent**  
**Sato**

(10) **Patent No.:** **US D550,546 S**

(45) **Date of Patent:** **\*\* Sep. 11, 2007**

(54) **HANGER FOR SMALL ARTICLES**

(75) Inventor: **Genichi Sato**, Tokyo (JP)

(73) Assignee: **Sugatsune Kogyo Co., Ltd.**, Tokyo (JP)

(\*\*) Term: **14 Years**

(21) Appl. No.: **29/239,569**

(22) Filed: **Oct. 3, 2005**

(30) **Foreign Application Priority Data**

Apr. 8, 2005 (JP) ..... 2005-010625

(51) **LOC (8) Cl.** ..... **08-05**

(52) **U.S. Cl.** ..... **D8/373**

(58) **Field of Classification Search** ..... D8/367,  
D8/373; D6/323; 248/301, 304  
See application file for complete search history.

(56) **References Cited**

**U.S. PATENT DOCUMENTS**

- D318,590 S \* 7/1991 McKeone ..... D6/524
- 6,126,126 A \* 10/2000 McKiernan, Jr. .... 248/217.3
- D462,844 S \* 9/2002 Chou ..... D6/323
- D472,060 S \* 3/2003 Hoernig ..... D6/323

- D477,150 S \* 7/2003 Hoernig ..... D6/323
- D489,250 S \* 5/2004 Graves et al. .... D8/367
- D505,274 S \* 5/2005 Lai ..... D6/323
- D505,613 S \* 5/2005 Sato ..... D8/367

\* cited by examiner

*Primary Examiner*—Holly H. Baynham

(74) *Attorney, Agent, or Firm*—Bacon & Thomas, PLLC

(57) **CLAIM**

The ornamental design for a hanger for small articles, as shown and described.

**DESCRIPTION**

FIG. 1 is a plan view of a hanger for small articles embodying my new design;

FIG. 2 is a rear view thereof;

FIG. 3 is a front view thereof;

FIG. 4 is a bottom view thereof;

FIG. 5 is a right side view thereof;

FIG. 6 is a sectional view taken along line 6—6 of FIG. 3; and,

FIG. 7 is a perspective view thereof.

**1 Claim, 2 Drawing Sheets**

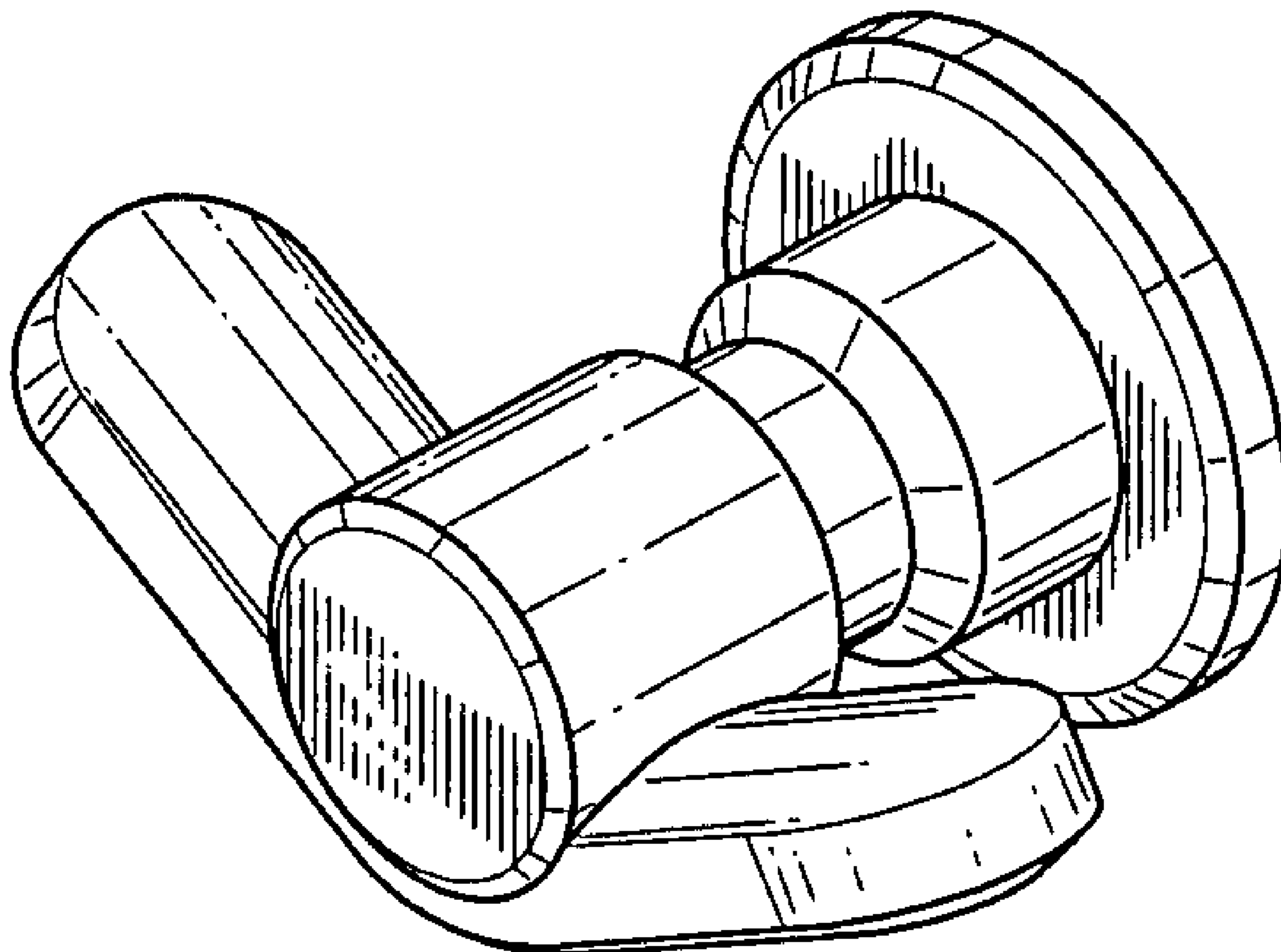


FIG. 1

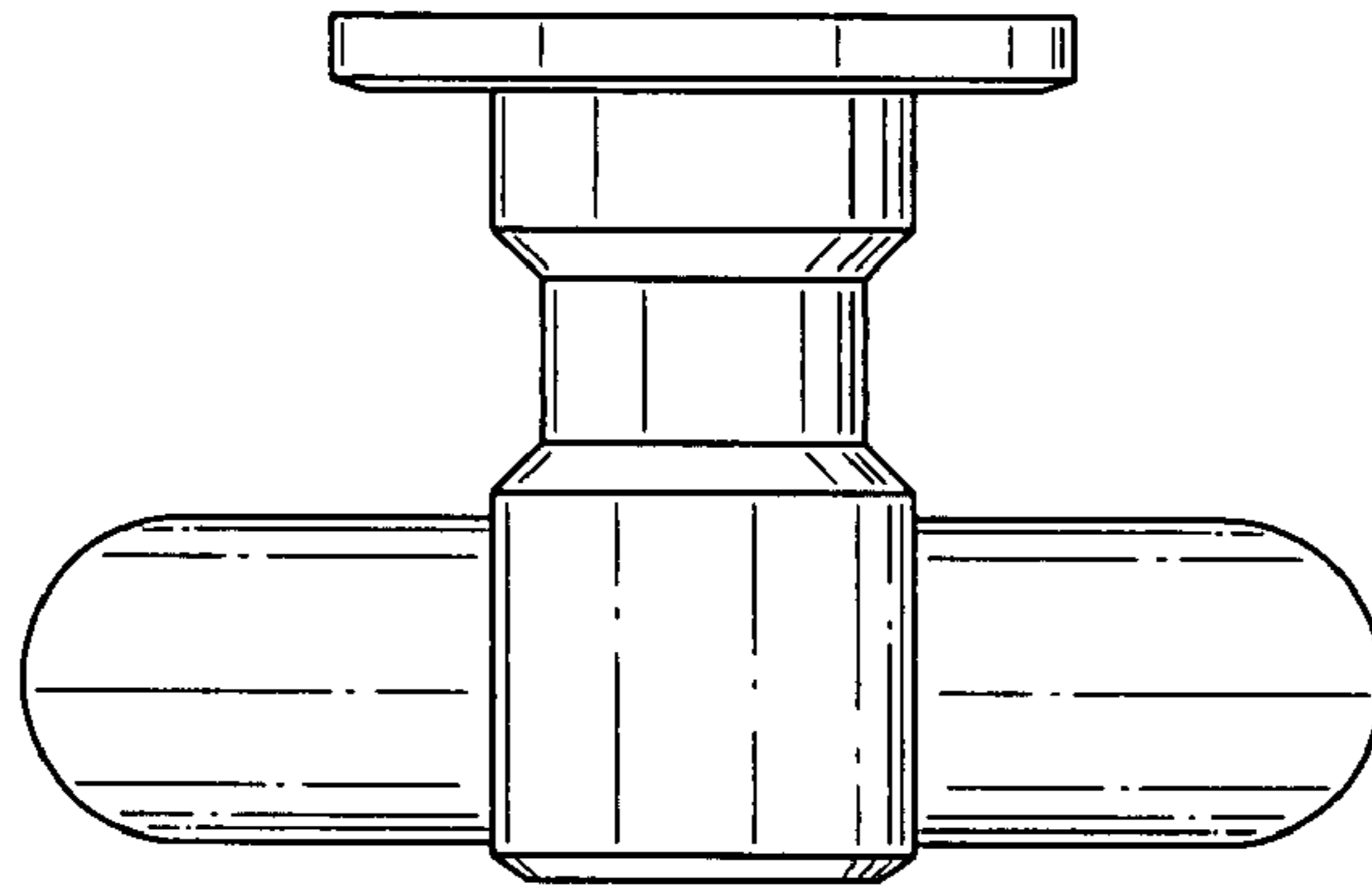


FIG. 2

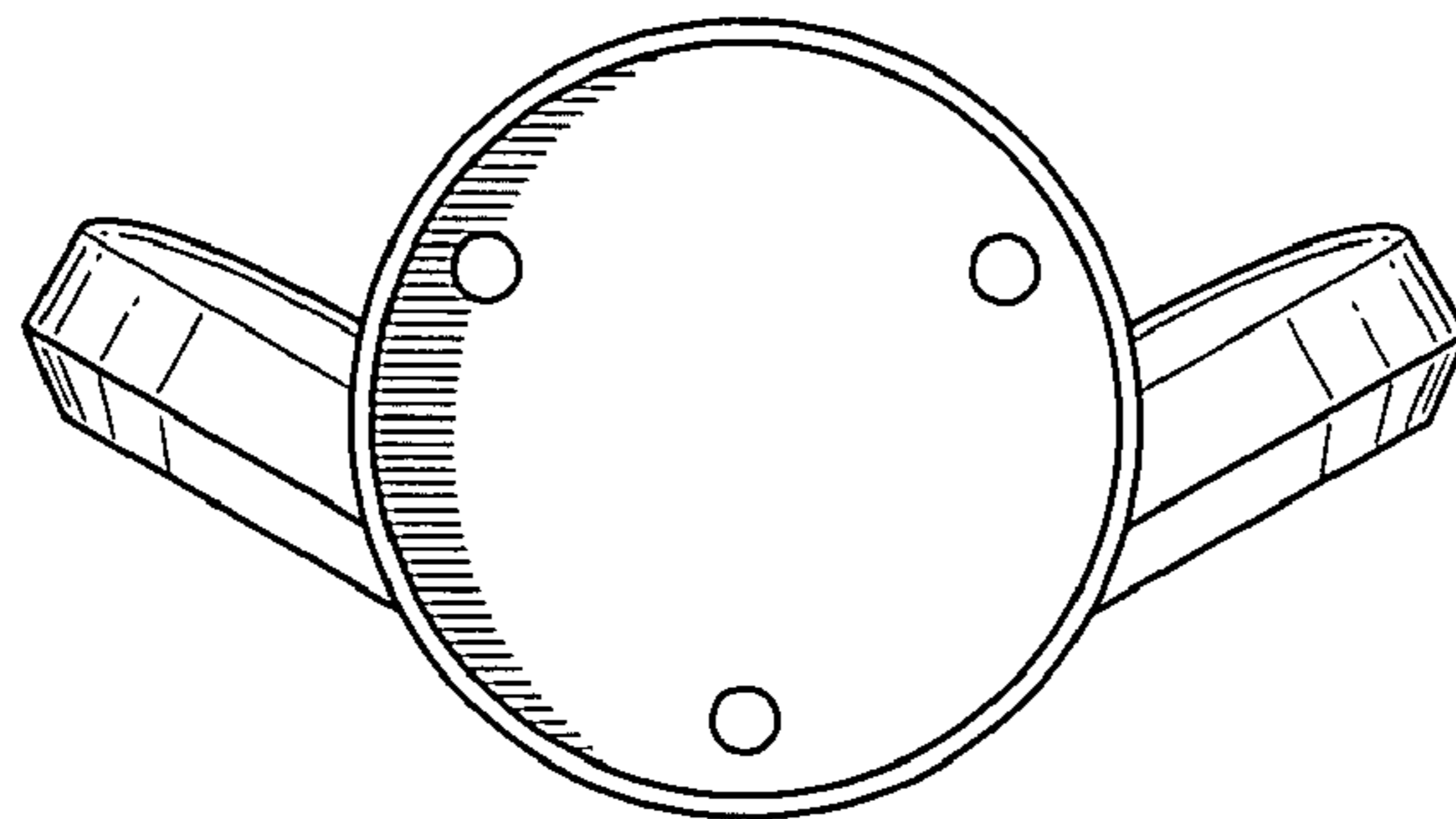
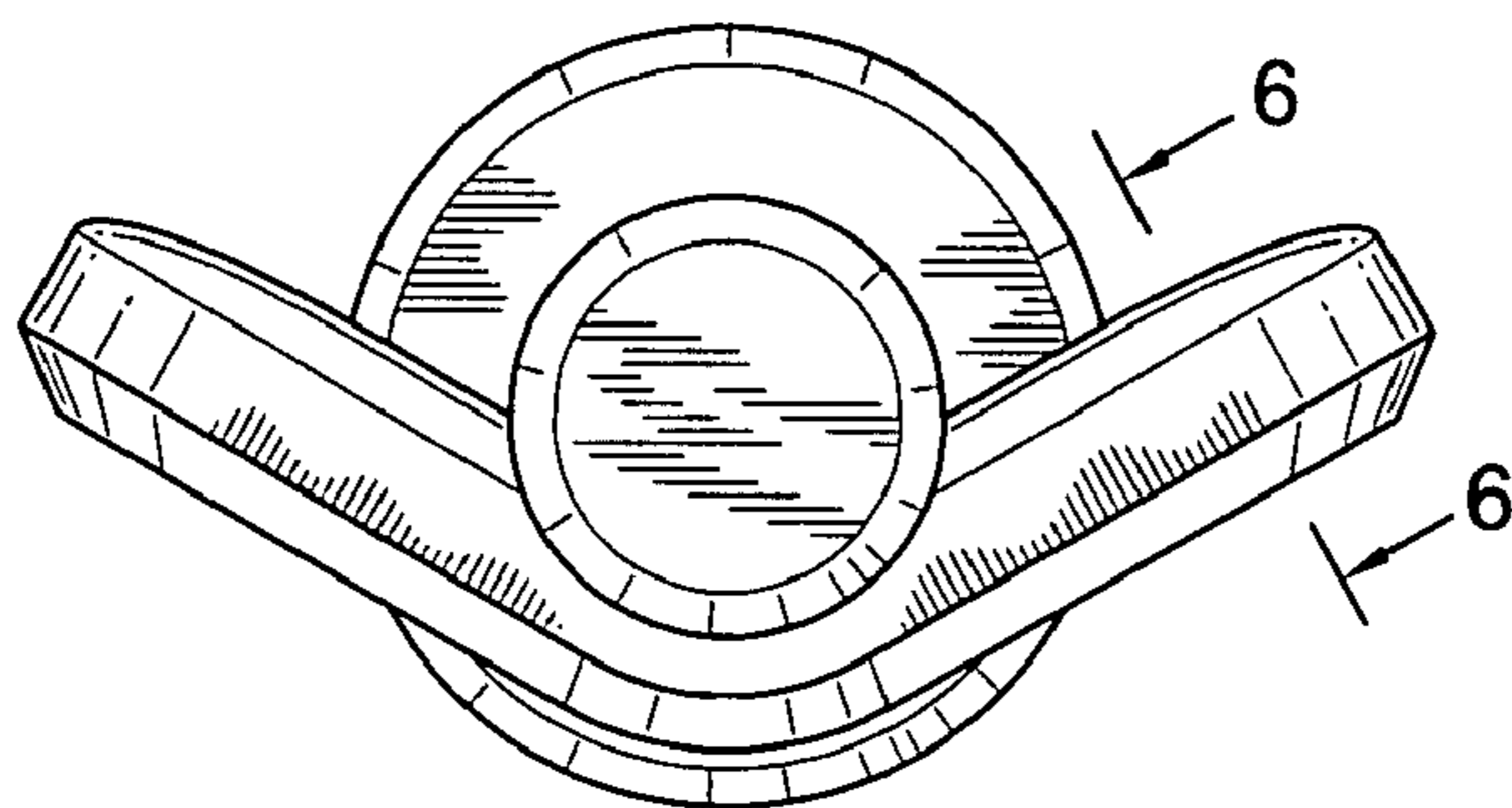
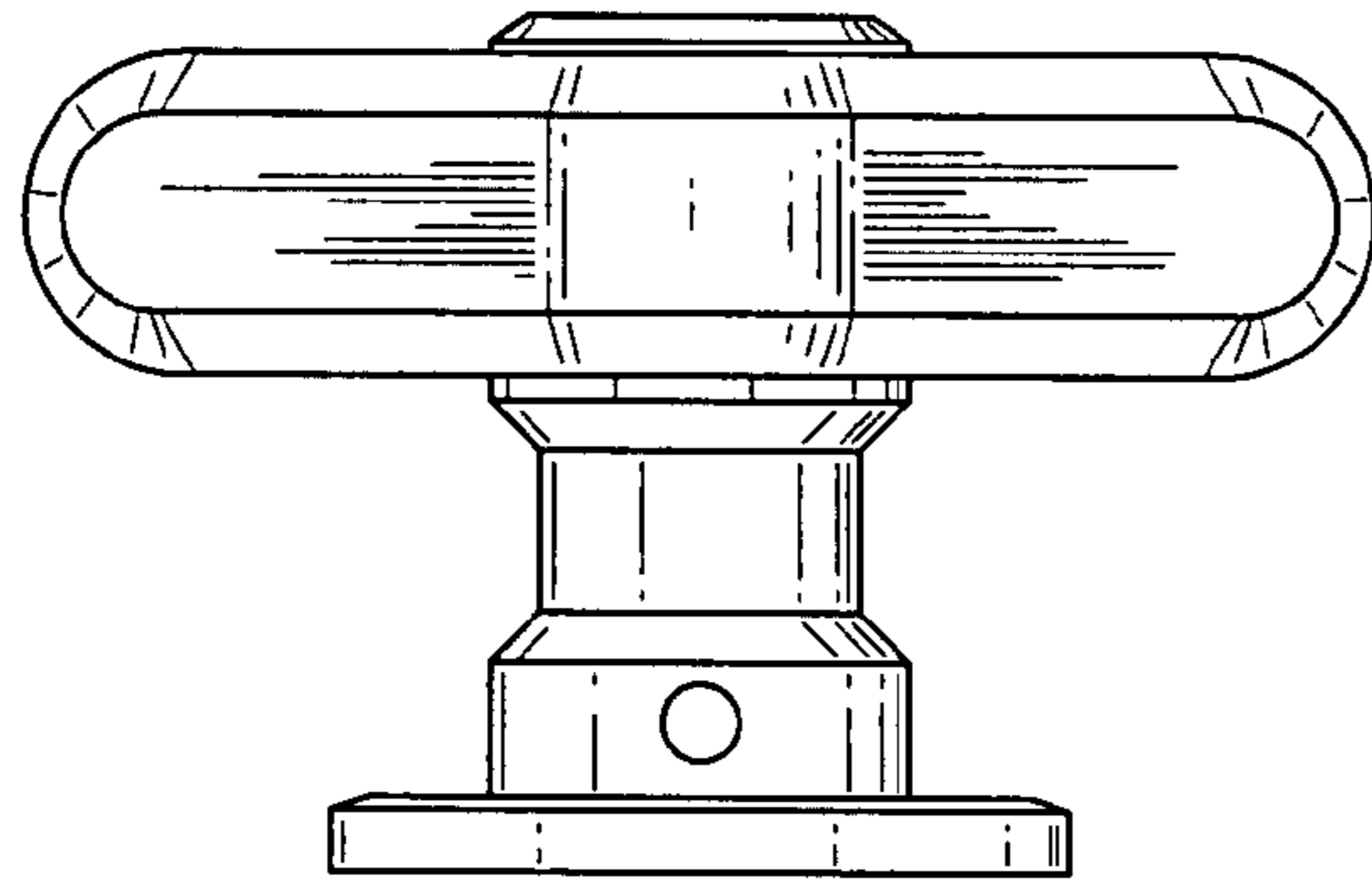


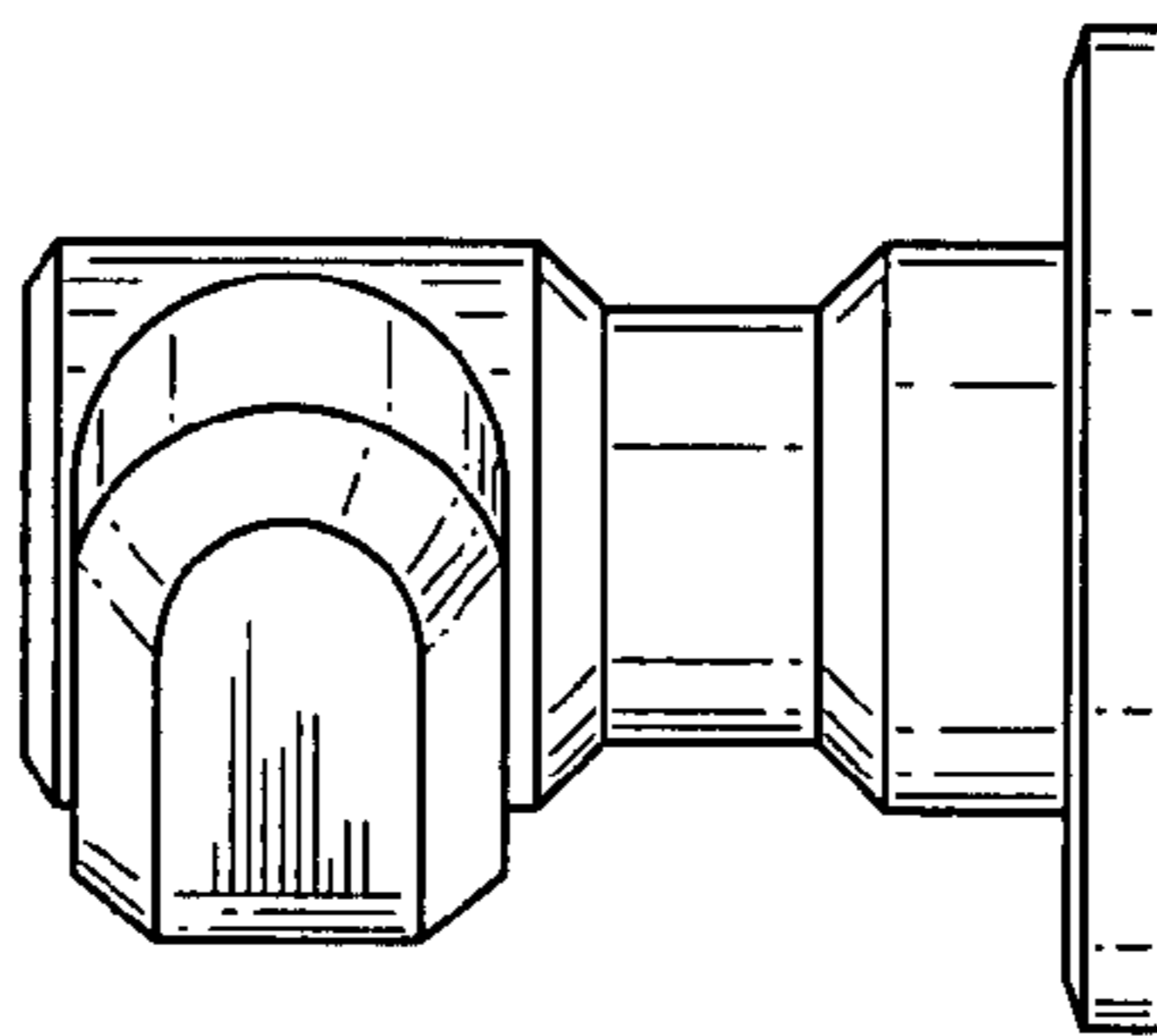
FIG. 3



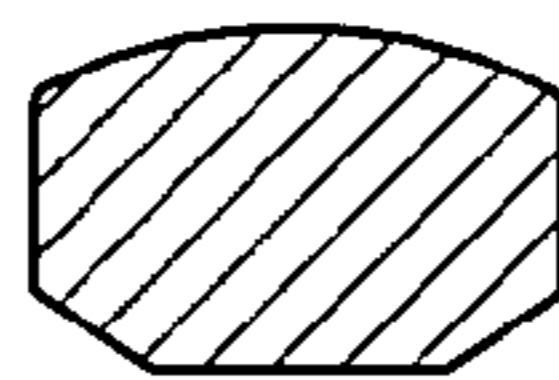
**FIG. 4**



**FIG. 5**



**FIG. 6**



**FIG. 7**

