



US00D550542S

(12) **United States Design Patent**
Worrall et al.

(10) **Patent No.:** **US D550,542 S**

(45) **Date of Patent:** **** Sep. 11, 2007**

(54) **SURFACE MOUNT ARM, PARTICULARLY FOR AN ELECTRONIC DISPLAY**

(75) Inventors: **Raymond Worrall**, West Midlands (GB); **Mark Short**, West Midlands (GB); **Kenneth Gary Nicholls**, West Midlands (GB)

(73) Assignee: **AVF Group Limited**, Telford, Shropshire (GB)

(**) Term: **14 Years**

(21) Appl. No.: **29/244,237**

(22) Filed: **Dec. 7, 2005**

(30) **Foreign Application Priority Data**

Aug. 17, 2005 (EM) 000388236

(51) **LOC (8) Cl.** **08-05**

(52) **U.S. Cl.** **D8/363**

(58) **Field of Classification Search** D8/363, D8/315; D14/251, 224; 248/274.1, 284.1
See application file for complete search history.

(56) **References Cited**

U.S. PATENT DOCUMENTS

D218,016 S 7/1970 Hobrebe D8/363
D349,640 S 8/1994 Whitaker D8/363

D352,652 S 11/1994 Vogels D8/363
D385,177 S * 10/1997 Perry D8/363
D406,228 S 3/1999 Vogels D8/363
D411,098 S 6/1999 Vogels D8/363
D416,785 S * 11/1999 Ming-Hsiao D8/363
D488,708 S 4/2004 Lam et al. D8/363

* cited by examiner

Primary Examiner—Holly H. Baynham

(74) *Attorney, Agent, or Firm*—Wells St. Johns, P.S.

(57) **CLAIM**

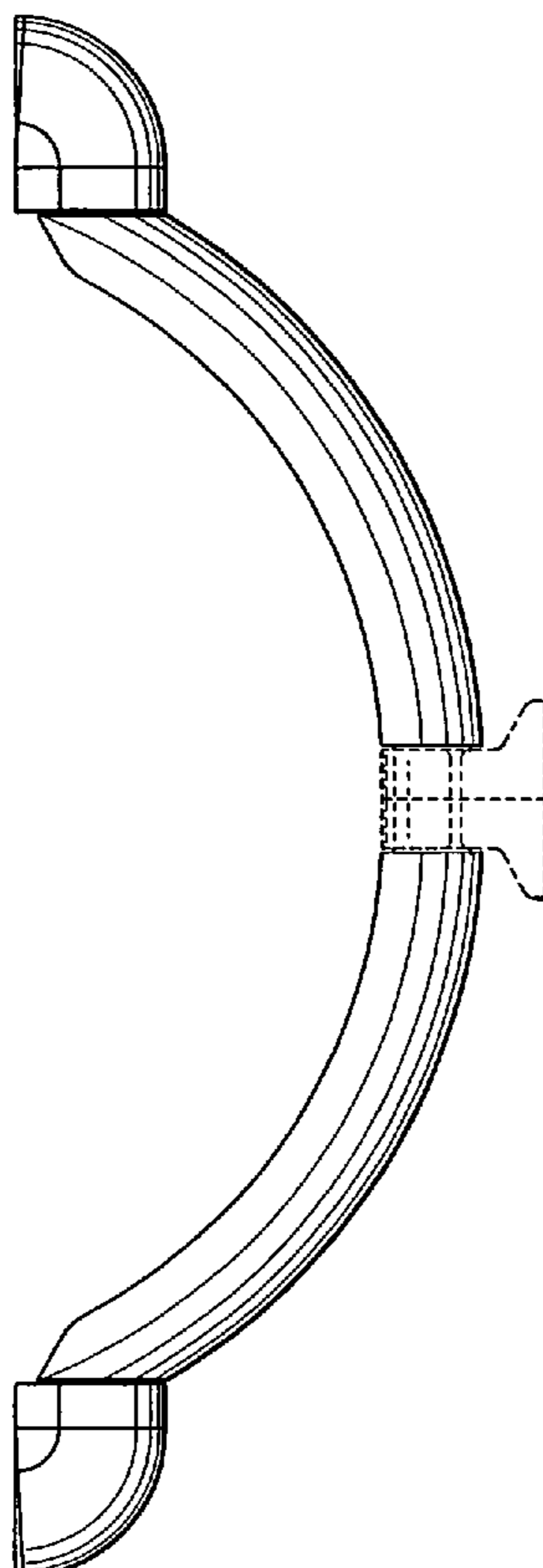
The ornamental design for a surface mount arm, particularly for an electric display.

DESCRIPTION

FIG. 1 is a front view of the surface mount arm;
FIG. 2 is a view of one side of the surface mount arm;
FIG. 3 is a view of the other side of the surface mount arm;
FIG. 4 is a rear view of the surface mount arm;
FIG. 5 is a top plan view of the surface mount arm; and,
FIG. 6 is an underneath plan view of the surface mount arm.

The broken line showing of structure is included for the purpose of illustrating environment and forms no part of the claimed design.

1 Claim, 1 Drawing Sheet



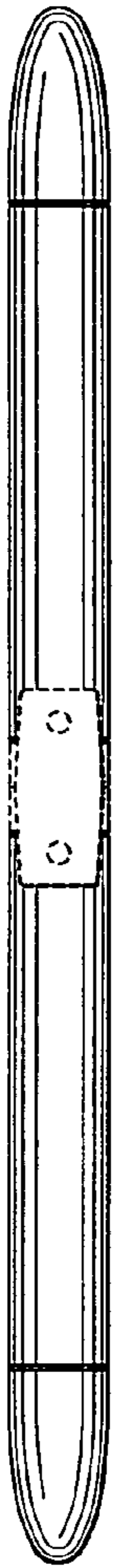


FIG 1

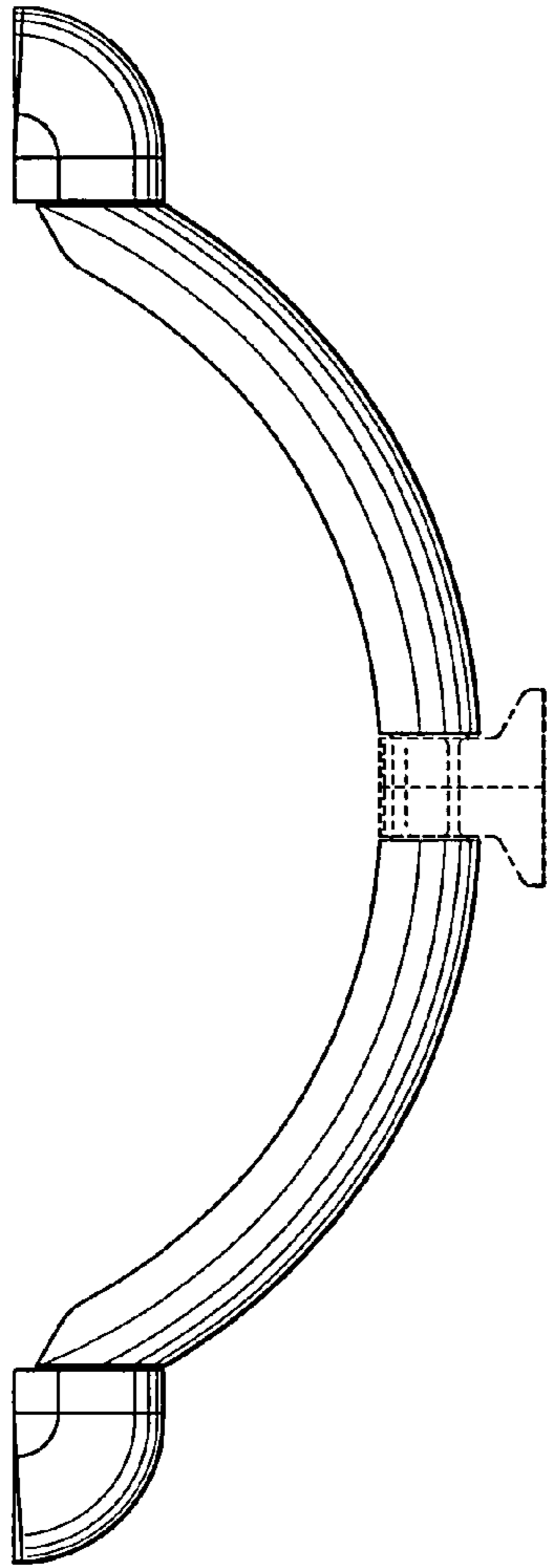


FIG 2

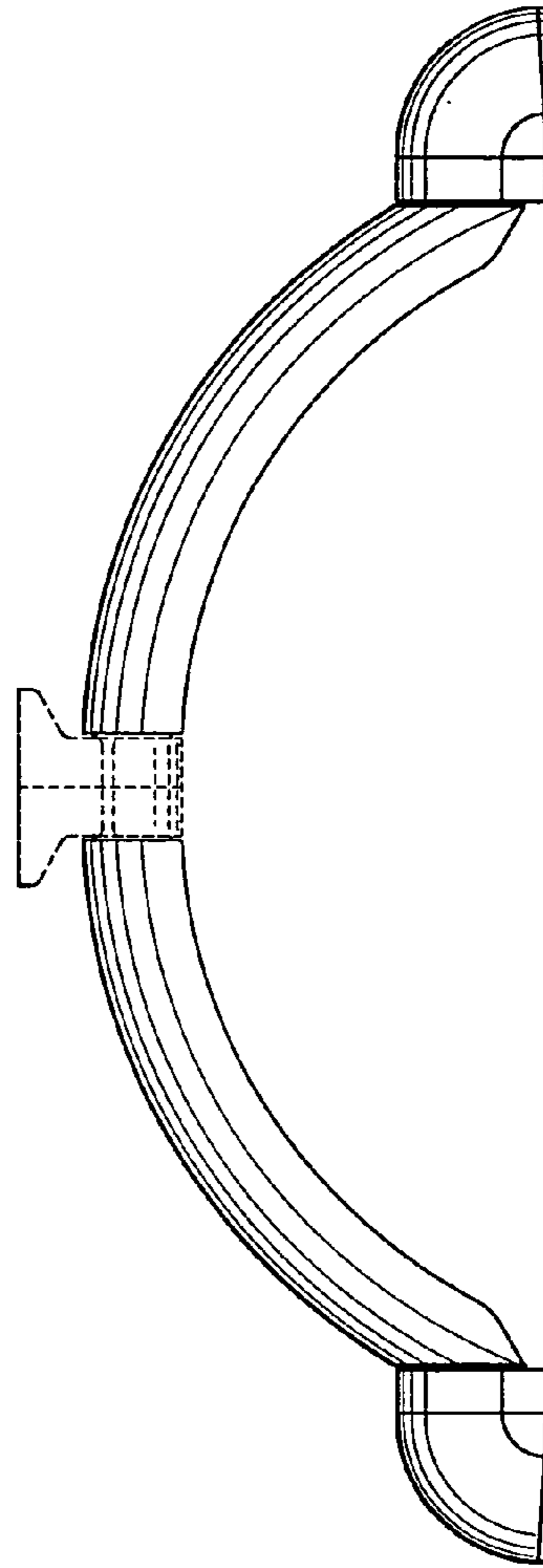


FIG 3



FIG 4

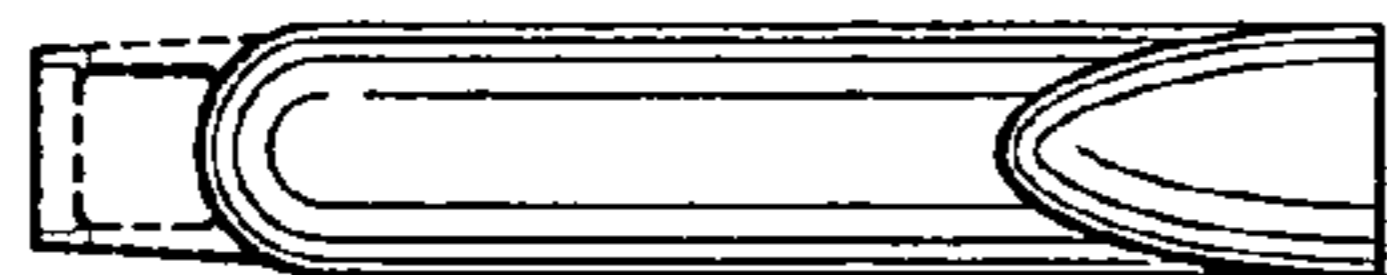


FIG 5

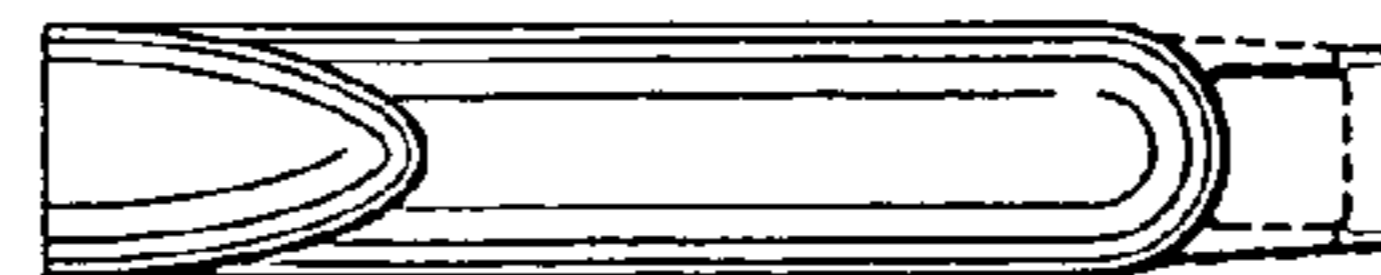


FIG 6