



US00D550540S

(12) **United States Design Patent** (10) **Patent No.:** **US D550,540 S**
Nawrocki (45) **Date of Patent:** **** Sep. 11, 2007**

(54) **BRACKET**

(75) Inventor: **John Richard Nawrocki**, Ocala, FL (US)

(73) Assignee: **Clairson, Inc.**, Newark, DE (US)

(**) Term: **14 Years**

(21) Appl. No.: **29/242,043**

(22) Filed: **Nov. 4, 2005**

(51) **LOC (8) Cl.** **08-05**

(52) **U.S. Cl.** **D8/354**

(58) **Field of Classification Search** D8/349,
D8/354, 380, 381; 248/220.22, 466; 211/88.1,
211/90.01

See application file for complete search history.

(56) **References Cited**

U.S. PATENT DOCUMENTS

844,459	A	2/1907	McCausland	
1,111,304	A	9/1914	Forester	
2,760,648	A	8/1956	Van Dusen	
3,229,823	A	1/1966	Hummer	
3,315,816	A	4/1967	Mallory	
3,452,954	A	7/1969	Lucietta et al.	
3,495,718	A	2/1970	Romero	
3,532,225	A	10/1970	Reed	
3,631,821	A	1/1972	Zachariou	
3,939,985	A	2/1976	Hochman	
3,985,325	A	10/1976	Ginsburg et al.	
4,026,508	A	5/1977	Ziegler	
4,113,109	A	9/1978	Donnelli et al.	
4,151,917	A	5/1979	Pugh	
4,191,110	A	3/1980	Klukos	
4,387,872	A *	6/1983	Hogue	248/221.11
4,624,376	A	11/1986	Bertram	
4,854,535	A	8/1989	Winter et al.	
5,009,381	A	4/1991	Hermanson	
5,082,125	A	1/1992	Ninni	
5,385,335	A *	1/1995	Wurdack	254/1
D416,471	S *	11/1999	Wurdack	D8/363

5,975,318	A	11/1999	Jay	
6,109,461	A *	8/2000	Kluge et al.	211/90.01
6,402,108	B1	6/2002	Remmers	
D495,588	S *	9/2004	Wurdack	D8/367
2005/0011420	A1	1/2005	Costa et al.	
2005/0145588	A1	7/2005	Stitchick et al.	
2005/0150850	A1	7/2005	Stitchick et al.	

OTHER PUBLICATIONS

5 pages from <http://lehighgroup.com>, accessed on Dec. 26, 2005.
U.S. Appl. No. 60/434,470, filed Dec. 18, 2002, Costa et al.

* cited by examiner

Primary Examiner—Holly H. Baynham
(74) *Attorney, Agent, or Firm*—Harness, Dickey & Pierce, P.L.C.

(57) **CLAIM**

The ornamental design for a bracket, as shown and described.

DESCRIPTION

FIG. 1 is a perspective view of a bracket, showing my new design;

FIG. 2 is a back perspective view thereof;

FIG. 3 is a right side elevation view thereof;

FIG. 4 is a left side elevation view thereof;

FIG. 5 is a front elevation view thereof;

FIG. 6 is a back elevation view thereof;

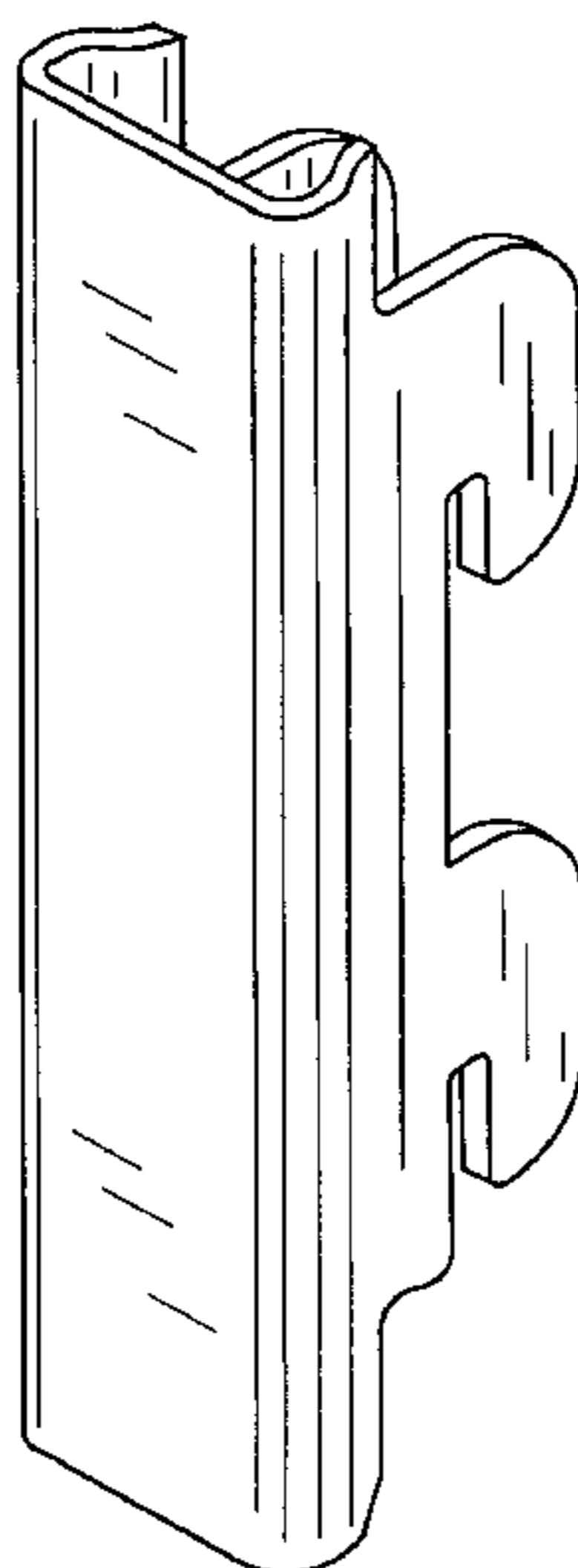
FIG. 7 is a top plan view thereof;

FIG. 8 is a bottom plan view of thereof; and,

FIG. 9 is an exploded perspective view showing the bracket of FIGS. 1 through 8 aligned for engagement with a wall standard for mounting a hook to the wall standard.

The details shown in broken lines are for illustrative purposes only and form no part of the claimed design.

1 Claim, 3 Drawing Sheets



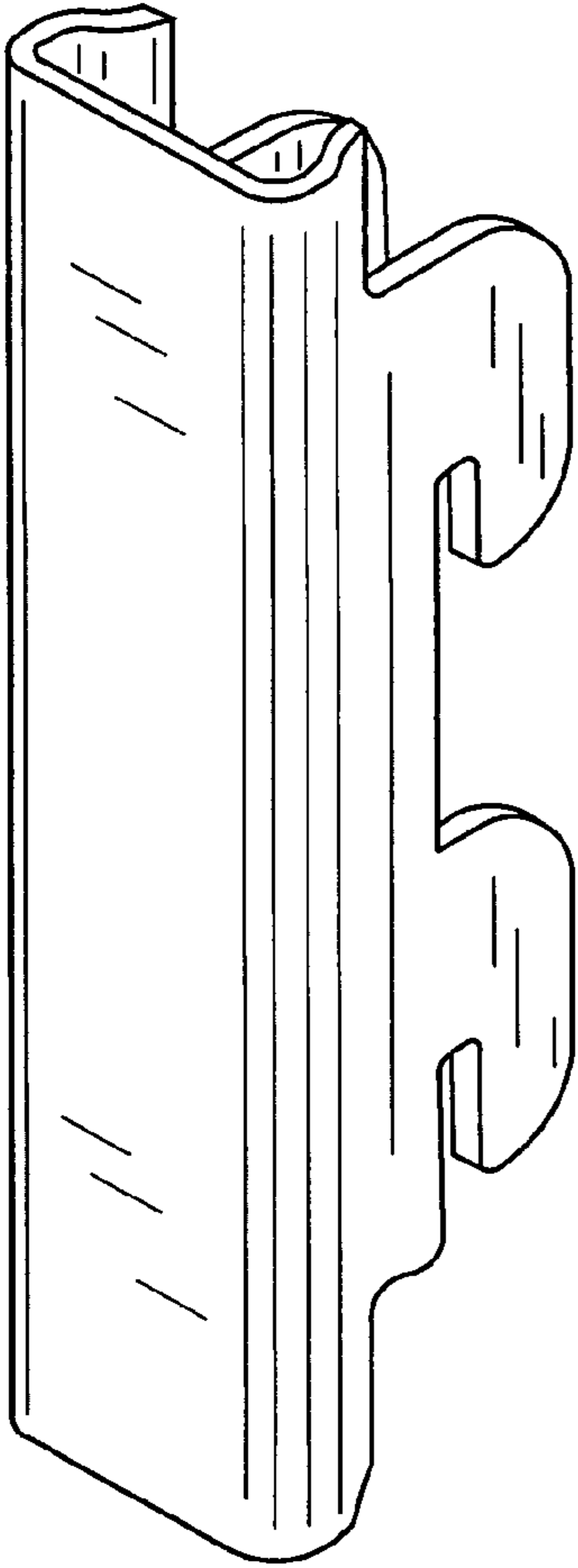


FIG. 1

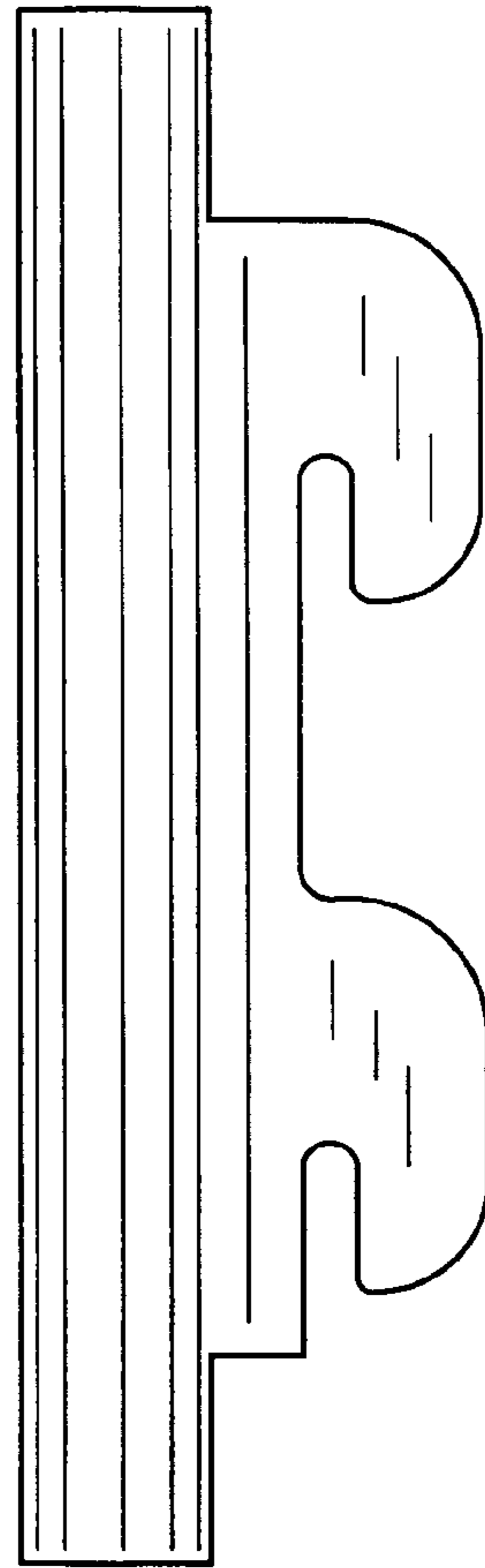


FIG. 3

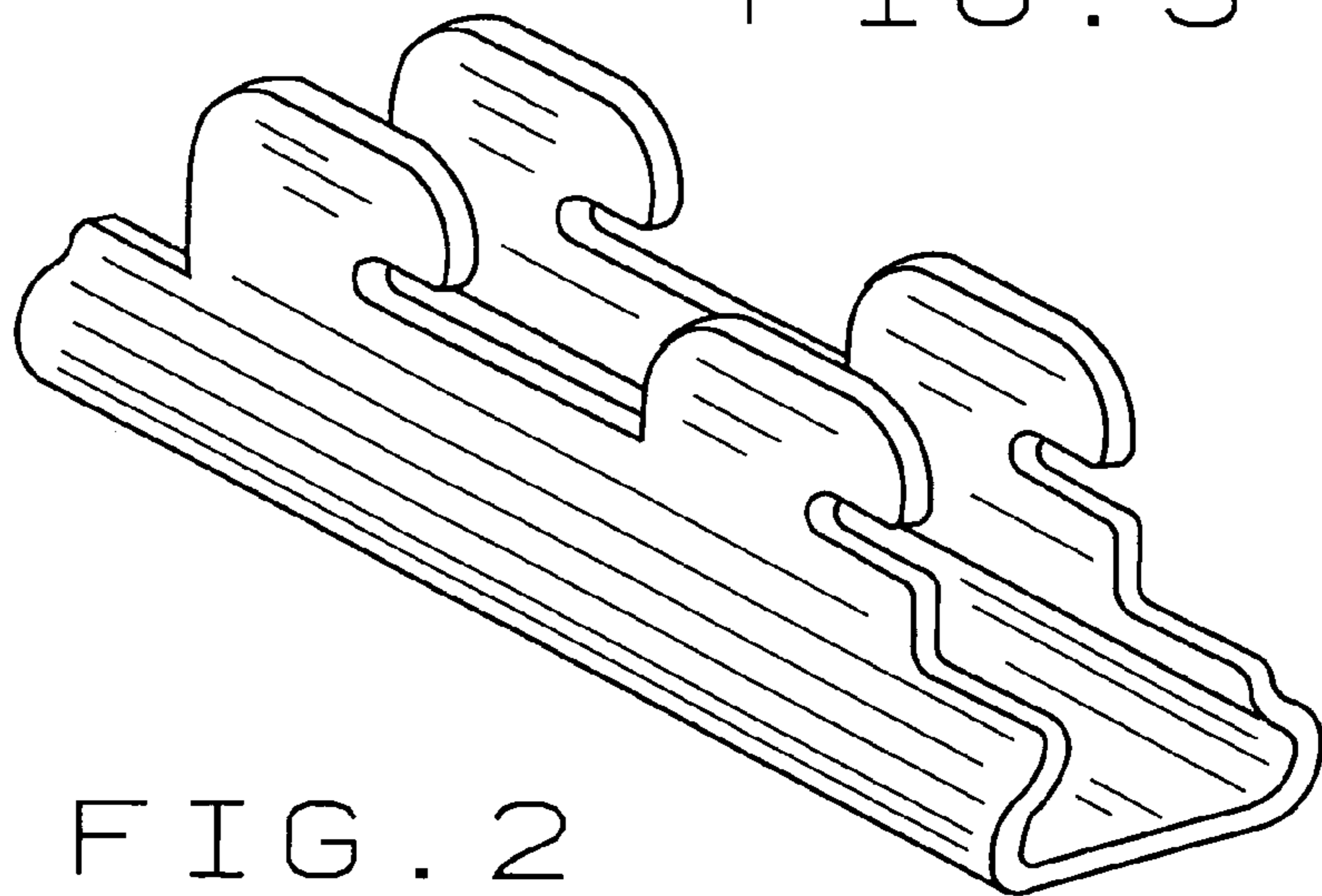


FIG. 2

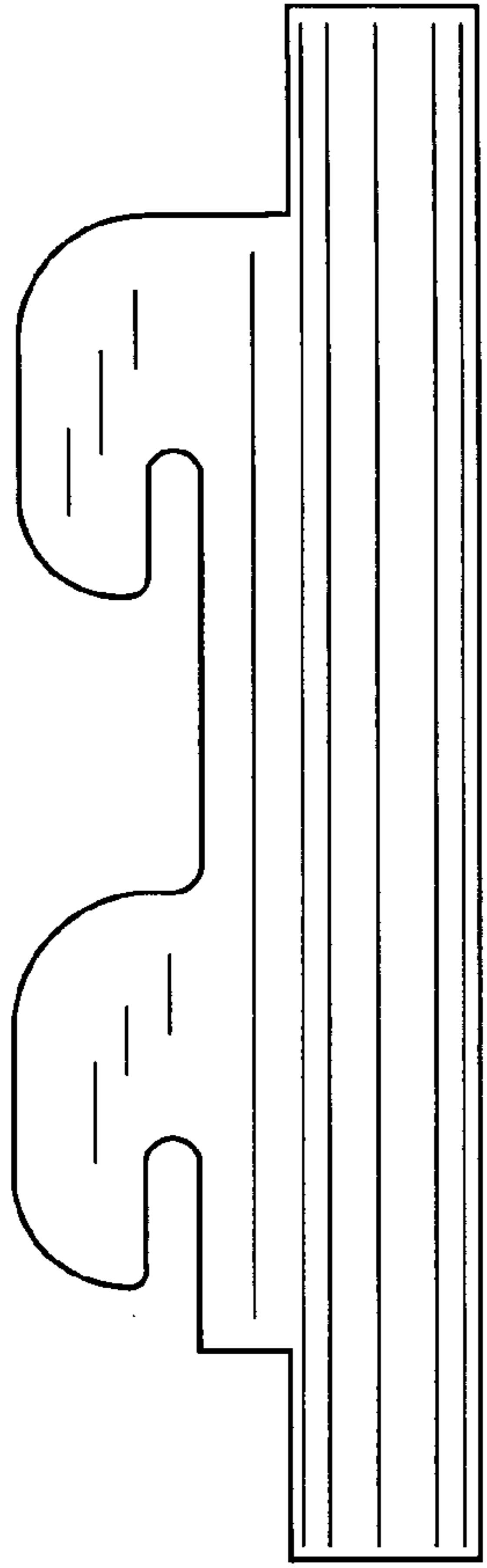


FIG. 4

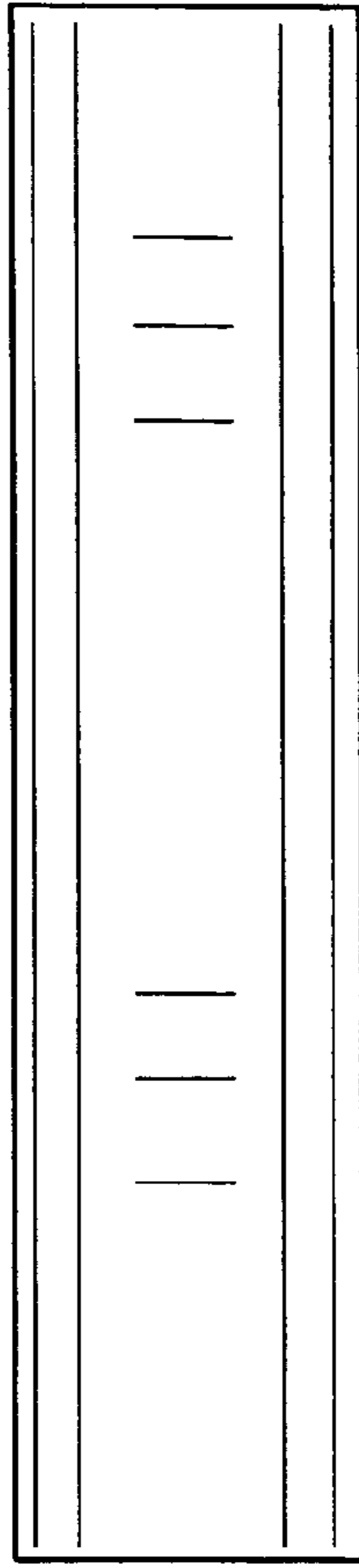


FIG. 5

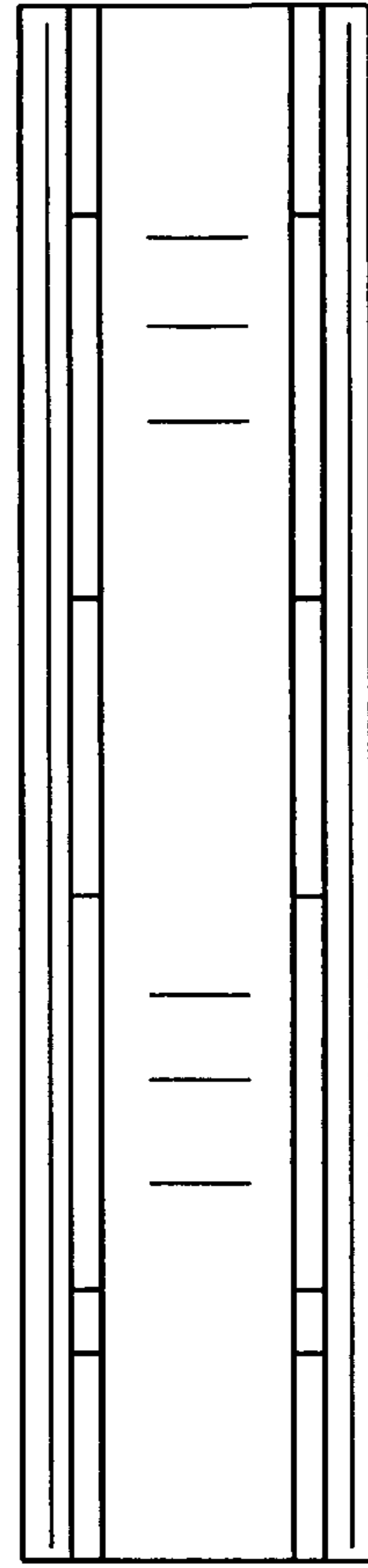


FIG. 6

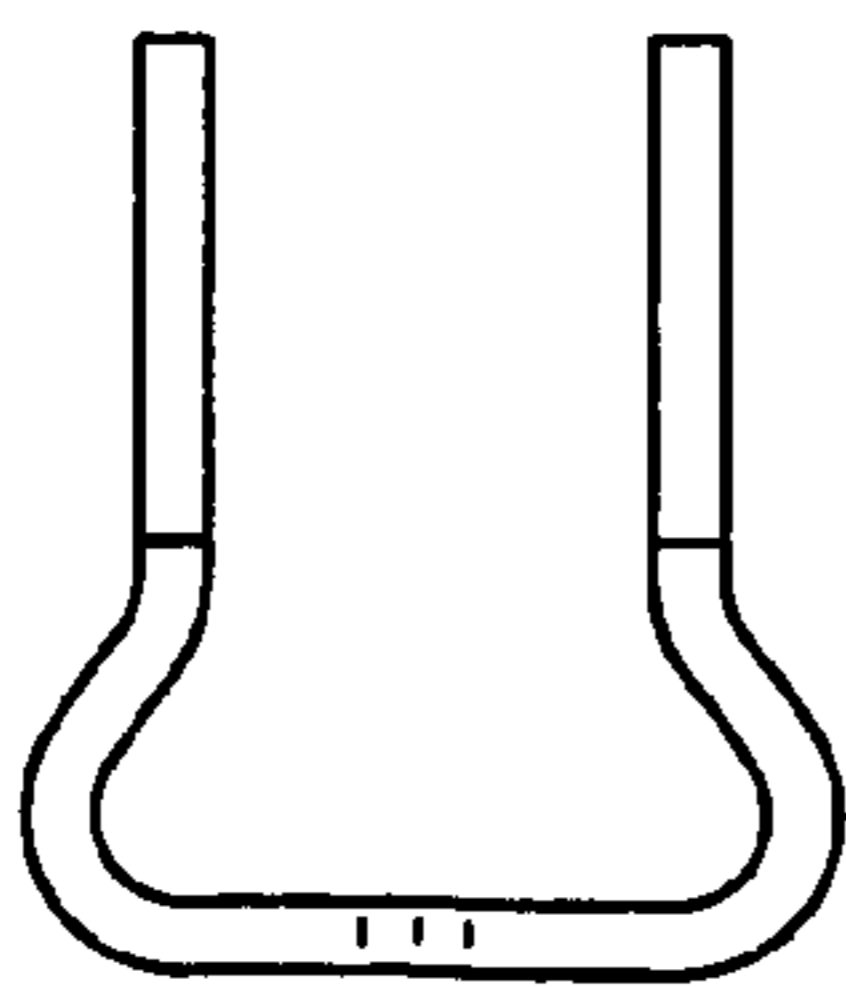


FIG. 7

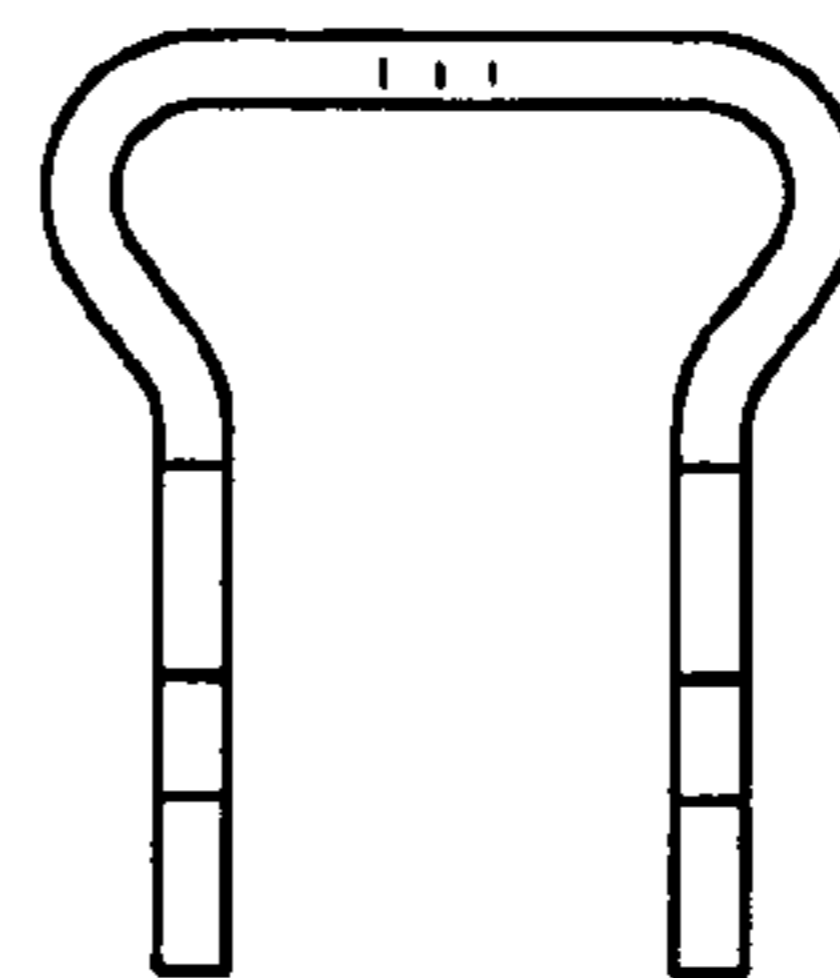


FIG. 8

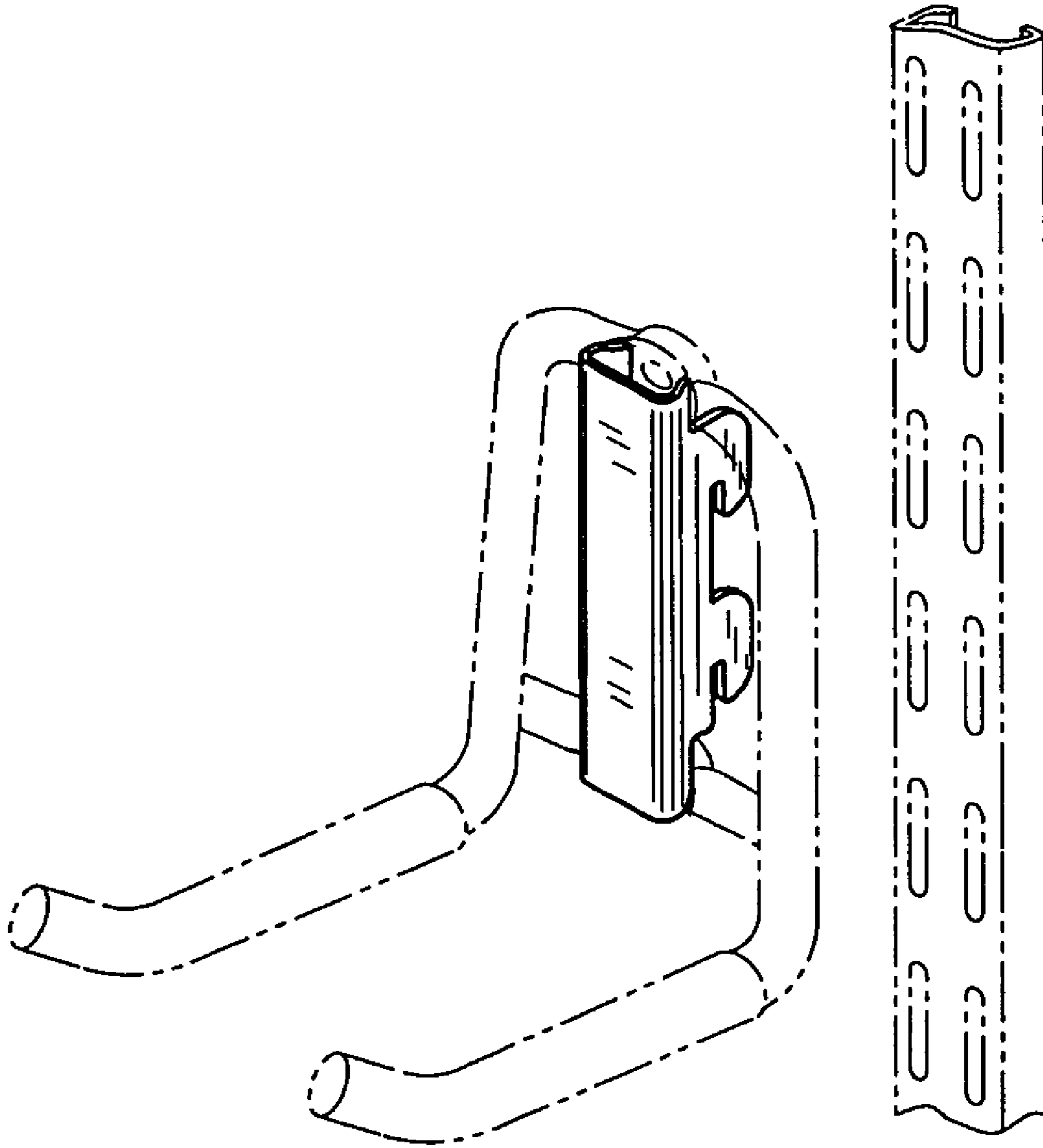


FIG. 9