



US00D550533S

(12) **United States Design Patent** (10) **Patent No.:** **US D550,533 S**
Aglassinger (45) **Date of Patent:** **** Sep. 11, 2007**

(54) **HANDLE**

(75) Inventor: **Hans-Peter Aglassinger**, Esslingen (DE)

(73) Assignee: **Robert Bosch GmbH**, Stuttgart (DE)

(**) Term: **14 Years**

(21) Appl. No.: **29/276,137**

(22) Filed: **Jan. 17, 2007**

Related U.S. Application Data

(62) Division of application No. 29/259,199, filed on May 4, 2006, now Pat. No. Des. 543,085.

Foreign Application Priority Data

(30) Dec. 12, 2005 (EP) 000448147

(51) **LOC (8) Cl.** **08-06**

(52) **U.S. Cl.** **D8/107; D8/70**

(58) **Field of Classification Search** D24/146, D24/133; D21/809, 237, 803; D12/316, D12/317, 318, 307, 223; D9/311; D4/104, D4/137, 138; D22/118; D8/1, 8, 362, 316, D8/317, 45, 107, 70, 68; 441/23, 30, 129-131; 16/110.1, 422, 426, 430; 81/489, 488, 177.1; 242/405.3, 588.2, 395

See application file for complete search history.

(56) **References Cited**

U.S. PATENT DOCUMENTS

4,820,090 A * 4/1989 Chen 408/241 R
4,881,294 A * 11/1989 Riedl 16/426
D336,230 S * 6/1993 Oster D8/70
5,671,815 A * 9/1997 Kabatnik et al. 173/217
D396,175 S * 7/1998 Chung D8/62
D403,939 S * 1/1999 Zurwelle D8/87

5,881,823 A * 3/1999 Kabatnik et al. 173/217
5,996,707 A * 12/1999 Thome et al. 173/2
D433,906 S * 11/2000 Heun D8/62
D442,452 S * 5/2001 Stirm et al. D8/67
D447,032 S * 8/2001 Schoen et al. D8/67
D453,288 S * 2/2002 Lui D8/62
6,415,875 B1 * 7/2002 Meixner et al. 173/2
D463,238 S * 9/2002 Schoen et al. D8/70
6,442,802 B1 * 9/2002 Horan et al. 16/422
D467,484 S * 12/2002 Schoen et al. D8/70
D470,379 S * 2/2003 Andriolo D8/68
D475,263 S * 6/2003 Andriolo D8/62
6,609,860 B2 * 8/2003 Wanek et al. 408/14
6,681,869 B2 * 1/2004 Wursch et al. 173/2
D492,177 S * 6/2004 Wright et al. D8/70

(Continued)

Primary Examiner—Cathron C. Brooks

Assistant Examiner—Barbara Fox

(74) *Attorney, Agent, or Firm*—Michael J. Striker

(57) **CLAIM**

The ornamental design for a handle, as shown and described.

DESCRIPTION

FIG. 1 is a front perspective view of a handle showing my new design;

FIG. 2 is a side view thereof;

FIG. 3 is the opposite view thereof;

FIG. 4 is a front view thereof;

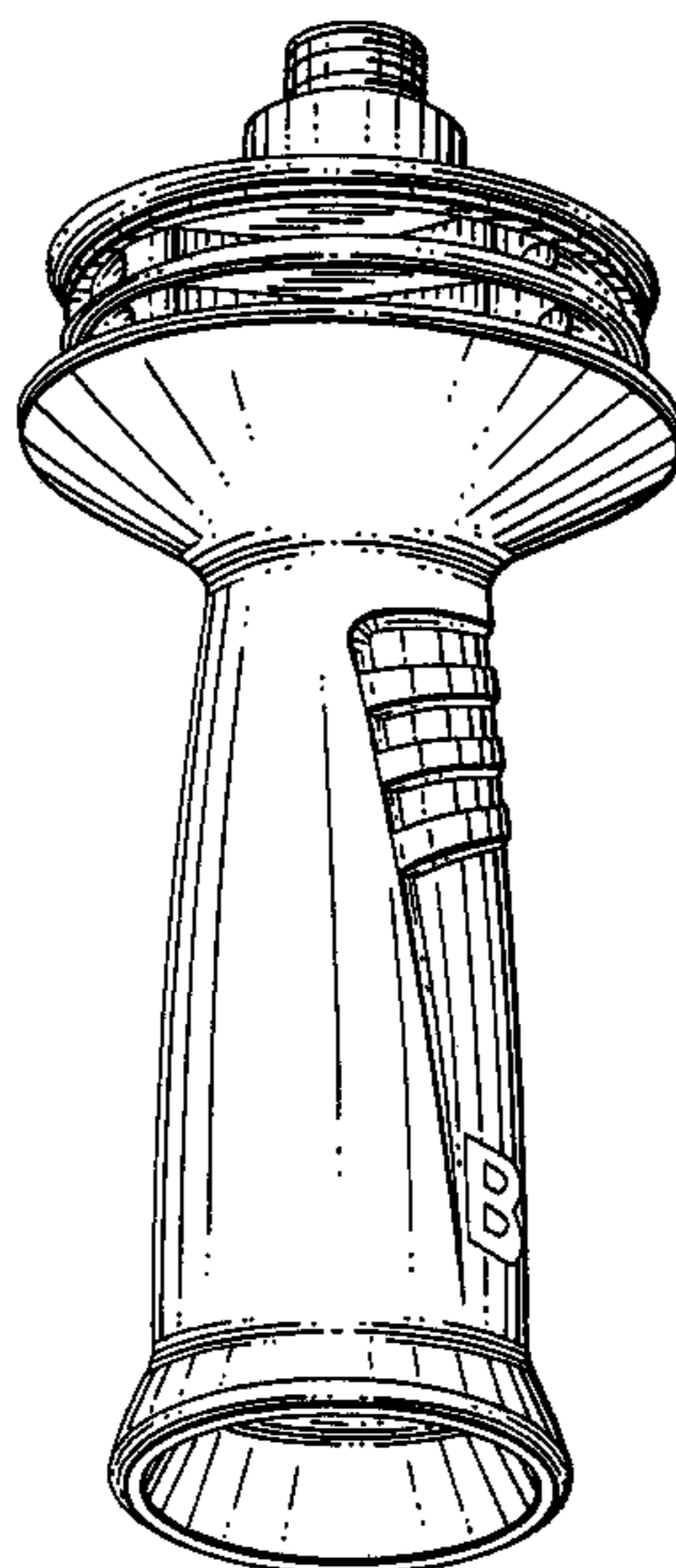
FIG. 5 is a rear view thereof;

FIG. 6 is a top view thereof; and,

FIG. 7 is a bottom view thereof.

The name Bosch displayed on the handle is a trademark owned by Robert Bosch GmbH.

1 Claim, 3 Drawing Sheets



US D550,533 S

Page 2

U.S. PATENT DOCUMENTS

D492,178 S *	6/2004	Wright et al.	D8/70	D520,833 S *	5/2006	Andriolo	D8/68
6,776,245 B2 *	8/2004	Kristen et al.	173/217	D522,826 S *	6/2006	Aglassinger	D8/62
D502,374 S *	3/2005	Aglassinger	D8/68	D533,420 S *	12/2006	Waldron	D8/68
D502,375 S *	3/2005	Aglassinger	D8/68	D534,407 S *	1/2007	Waldron	D8/69
6,872,121 B2 *	3/2005	Wiesner et al.	451/5	D540,643 S *	4/2007	Waldron	D8/69
D507,950 S *	8/2005	Aglassinger	D8/68	D543,085 S *	5/2007	Aglassinger	D8/107
D515,382 S *	2/2006	Andriolo	D8/69	2002/0021947 A1 *	2/2002	Hofmann et al.	408/241 R
7,018,142 B2 *	3/2006	Cooper	408/124	2003/0116335 A1 *	6/2003	Milbourne	173/170
D520,320 S *	5/2006	Corcoran	D8/68				

* cited by examiner

FIG. 1

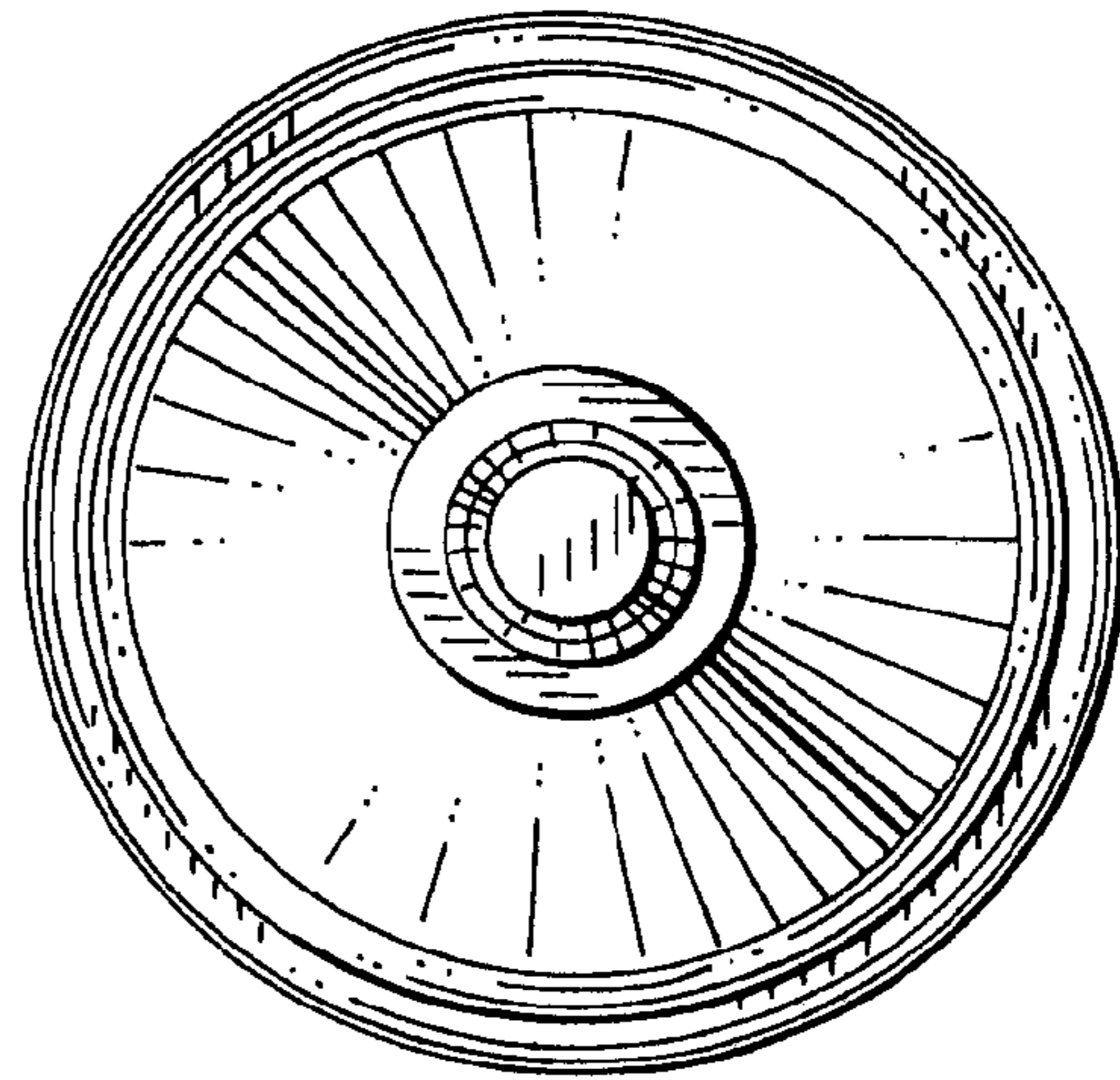
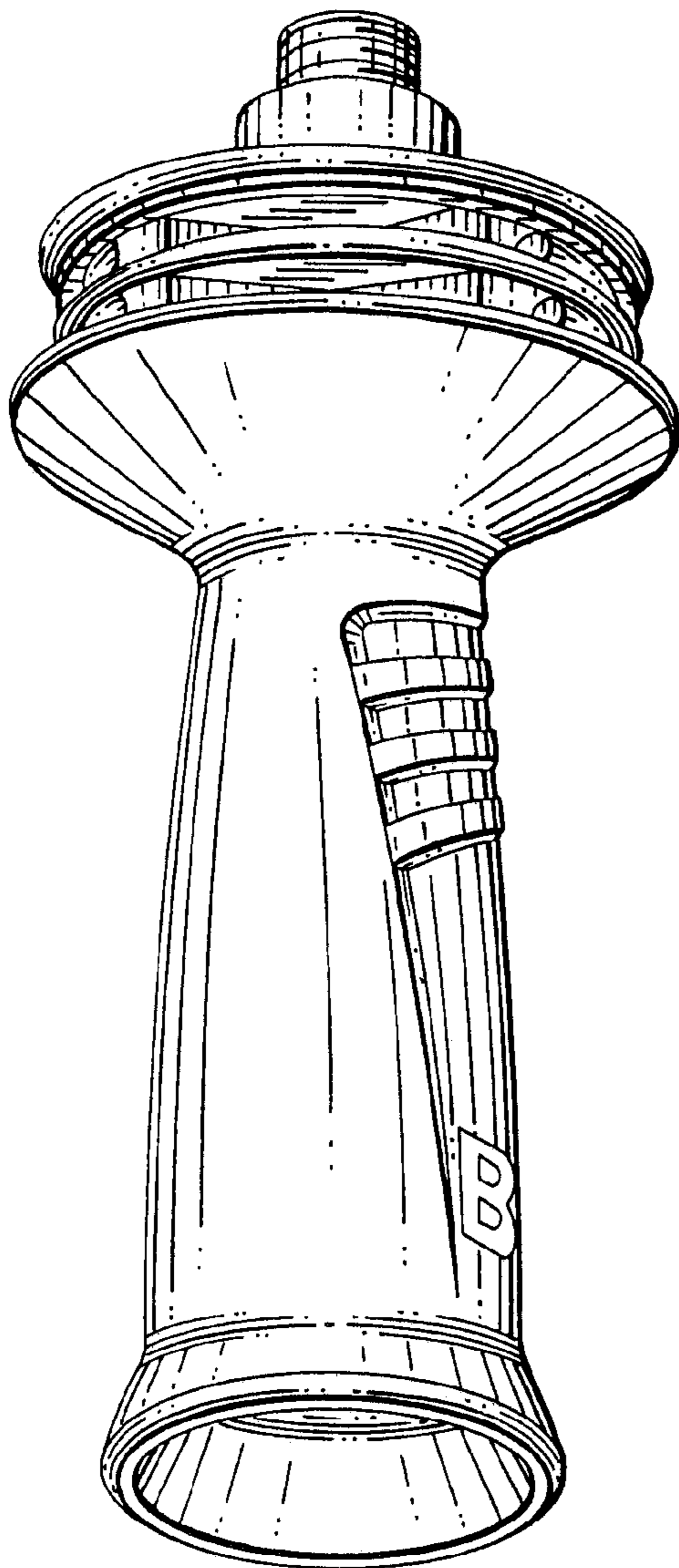


FIG. 6

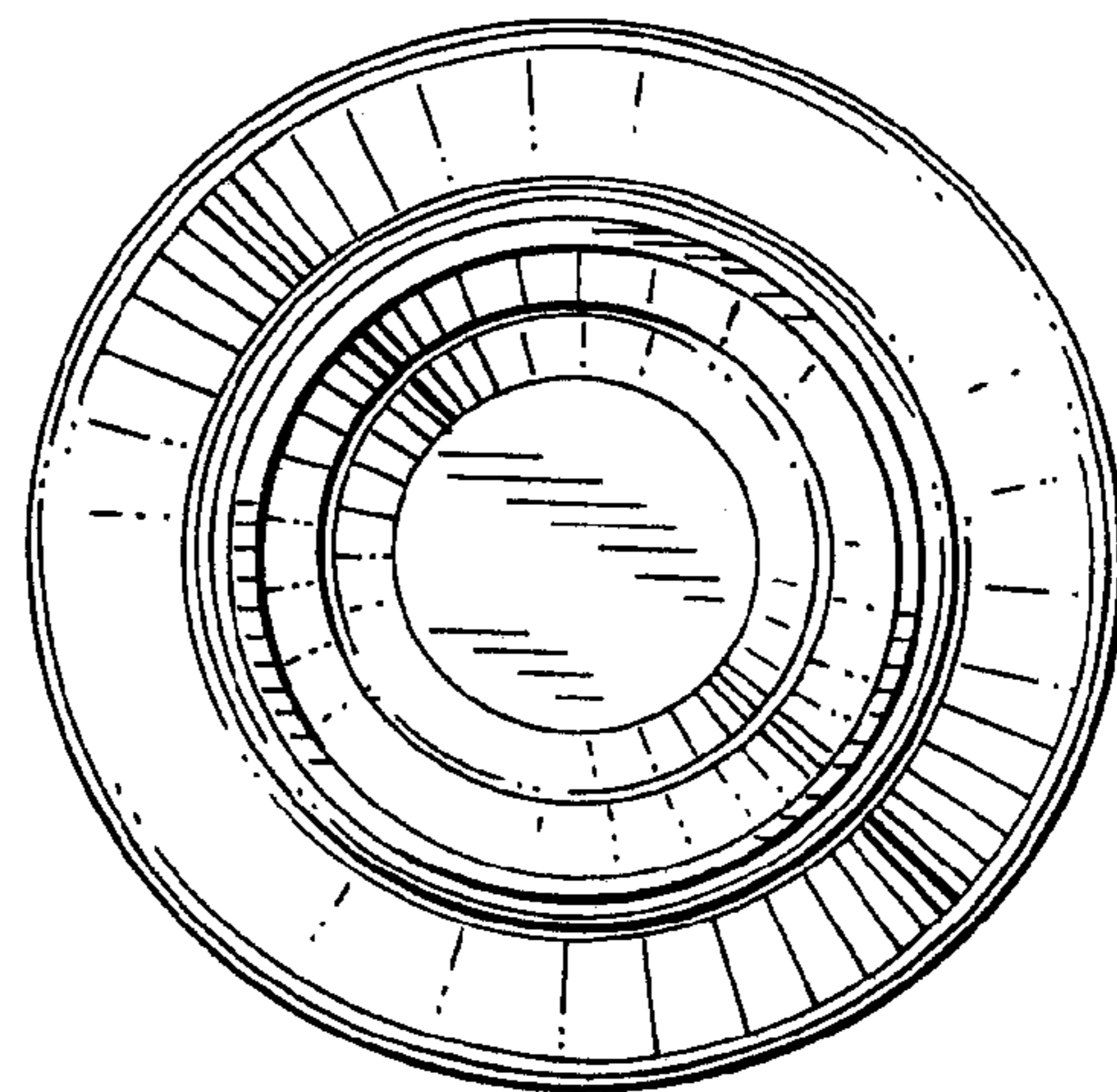


FIG. 7

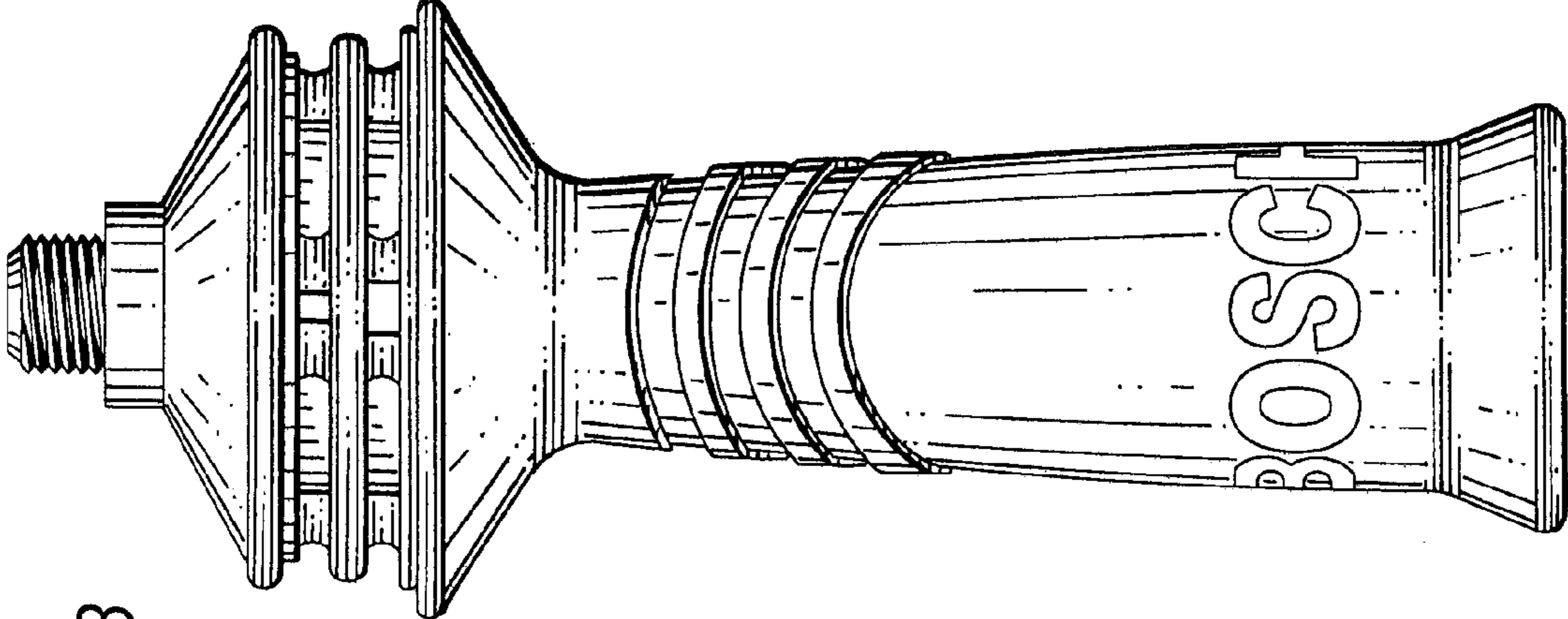


FIG. 3

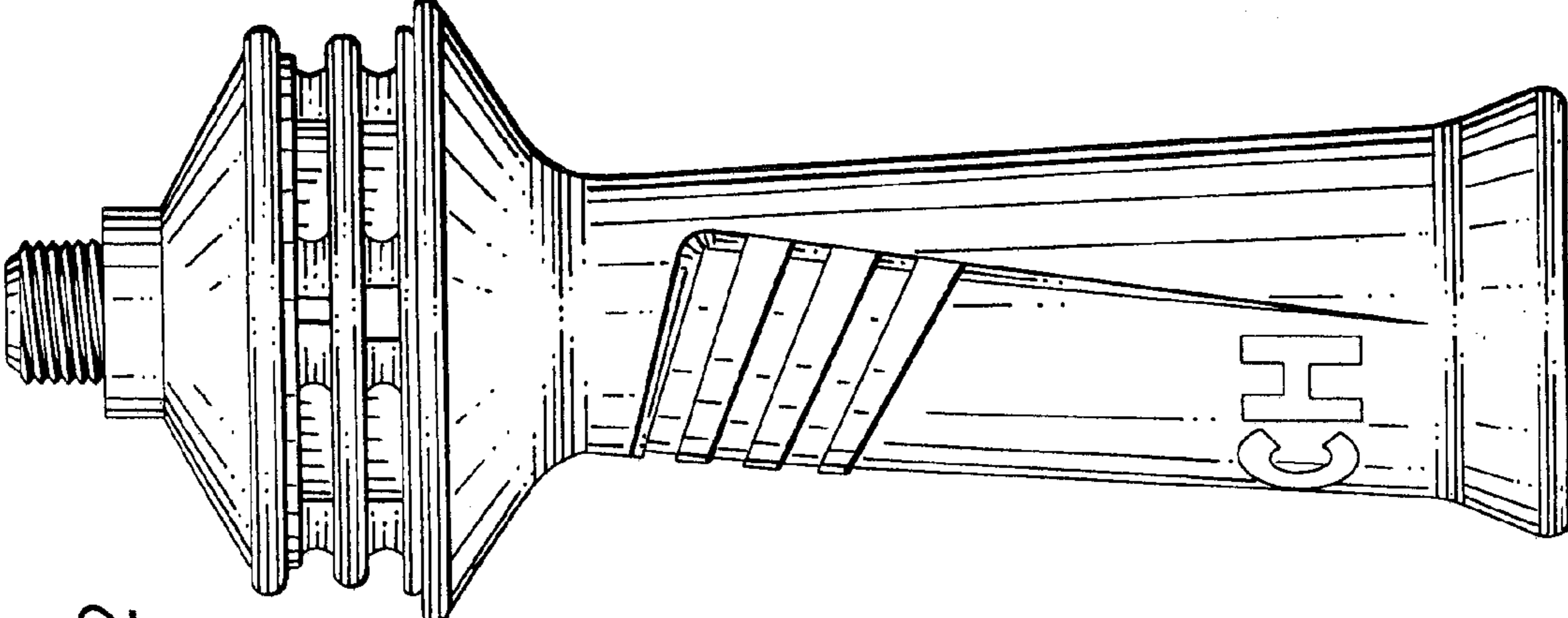


FIG. 2

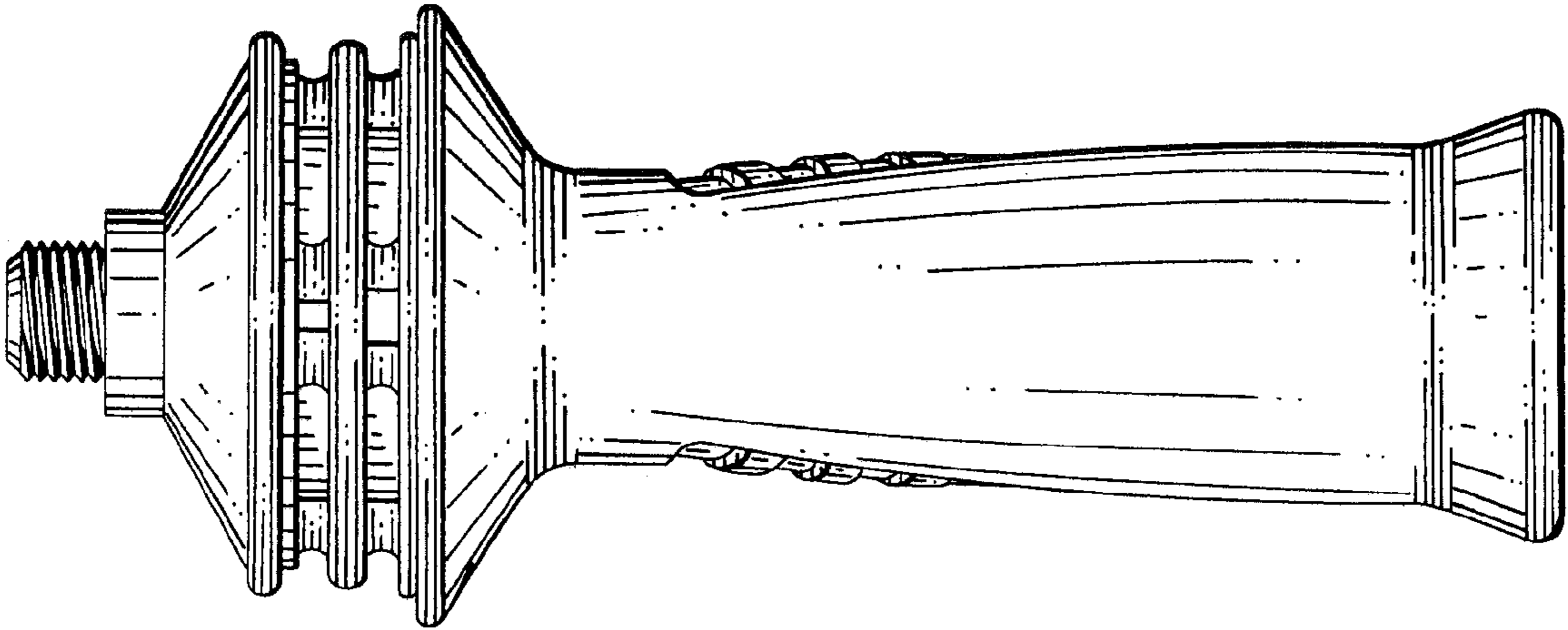


FIG. 5

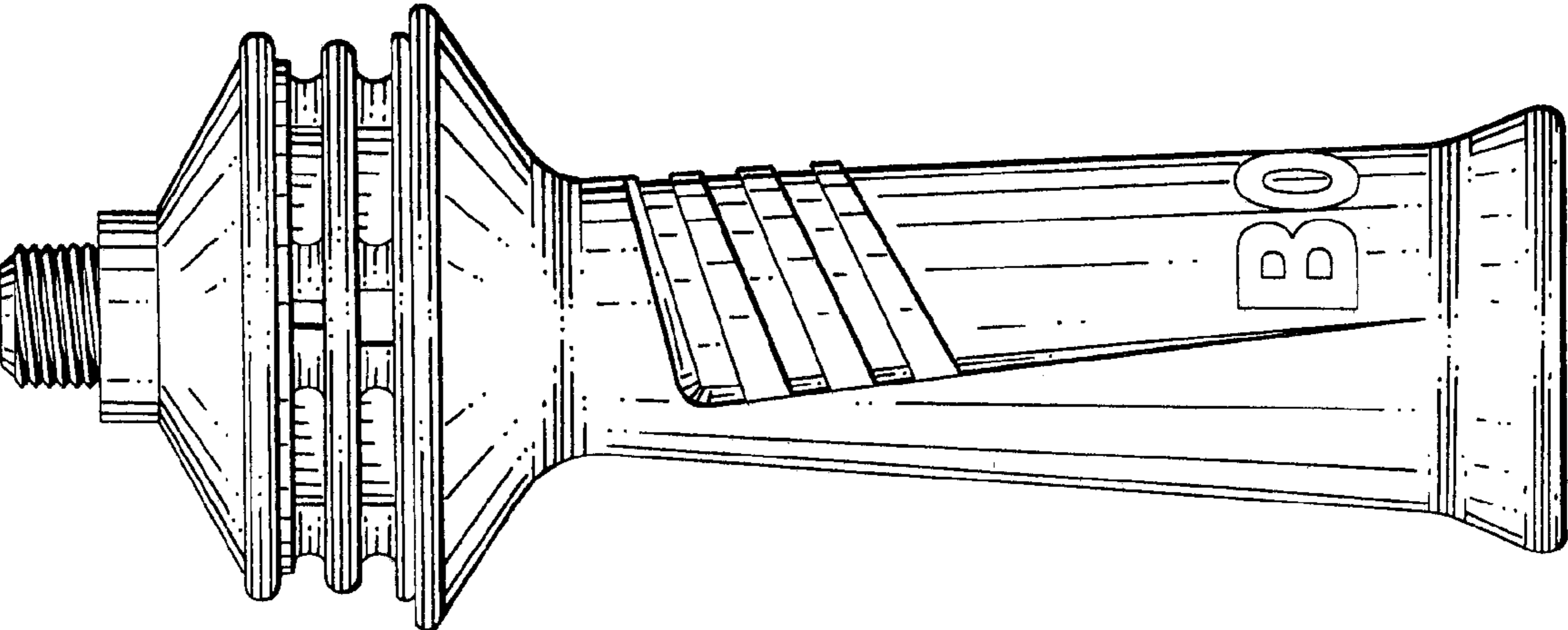


FIG. 4