



US00D550532S

(12) **United States Design Patent**
Radocy

(10) **Patent No.:** **US D550,532 S**

(45) **Date of Patent:** **** Sep. 11, 2007**

(54) **ARROWHEAD HONE**

(75) Inventor: **Robert Radocy**, Boulder, CO (US)

(73) Assignee: **Sports and Recreation Technologies, LLC**, Boulder, CO (US)

(**) Term: **14 Years**

(21) Appl. No.: **29/245,897**

(22) Filed: **Dec. 30, 2005**

(51) **LOC (8) Cl.** **08-05**

(52) **U.S. Cl.** **D8/91**

(58) **Field of Classification Search** D8/90,
D8/91, 92, 93, 14; 76/83, 86, 88; 451/552,
451/555, 540

See application file for complete search history.

(56) **References Cited**

U.S. PATENT DOCUMENTS

3,733,933	A *	5/1973	Longbrake	76/88
3,797,334	A *	3/1974	Sinclair	76/88
4,078,455	A *	3/1978	Brody	76/88
4,228,703	A *	10/1980	Moss	76/86
D287,095	S *	12/1986	Hunter	D8/91
4,696,129	A	9/1987	Roberts	
5,157,879	A *	10/1992	Fletcher	451/555
5,458,534	A *	10/1995	Campione et al.	451/555
5,520,574	A *	5/1996	Wilson	451/540
D375,442	S *	11/1996	Hughes	D8/91

OTHER PUBLICATIONS

Printout from Google Image search for Broadhead sharpener.*

* cited by examiner

Primary Examiner—Philip S. Hyder

(74) *Attorney, Agent, or Firm*—Rick Martin; Patent Law Offices of Rick Martin P.C.

(57) **CLAIM**

The ornamental design for a arrowhead hone, as shown and described.

DESCRIPTION

FIG. 1 is a left or right side elevation view of an embodiment of my new design for an arrowhead hone, wherein a left side and a right side view are identical.

FIG. 2 is a top plan view of the embodiment of FIG. 1.

FIG. 3 is a bottom plan view of the embodiment of FIG. 1.

FIG. 4 is a front or back elevation view of the embodiment of FIG. 1, wherein a front and a back view are identical.

FIG. 5 is a top perspective view of the embodiment of FIG. 1.

FIG. 6 is a left or right side elevation view of another embodiment of my new design for an arrowhead hone, wherein a left side and a right side view are identical.

FIG. 7 is a top plan view of the embodiment of FIG. 6.

FIG. 8 is a bottom plan view of the embodiment of FIG. 6.

FIG. 9 is a front or back elevation view of the embodiment of FIG. 6, wherein a front and a back view are identical; and,

FIG. 10 is a top perspective view of the embodiment of FIG. 6.

The broken lines are for illustrative purposes only and form no part of the claimed design.

1 Claim, 2 Drawing Sheets

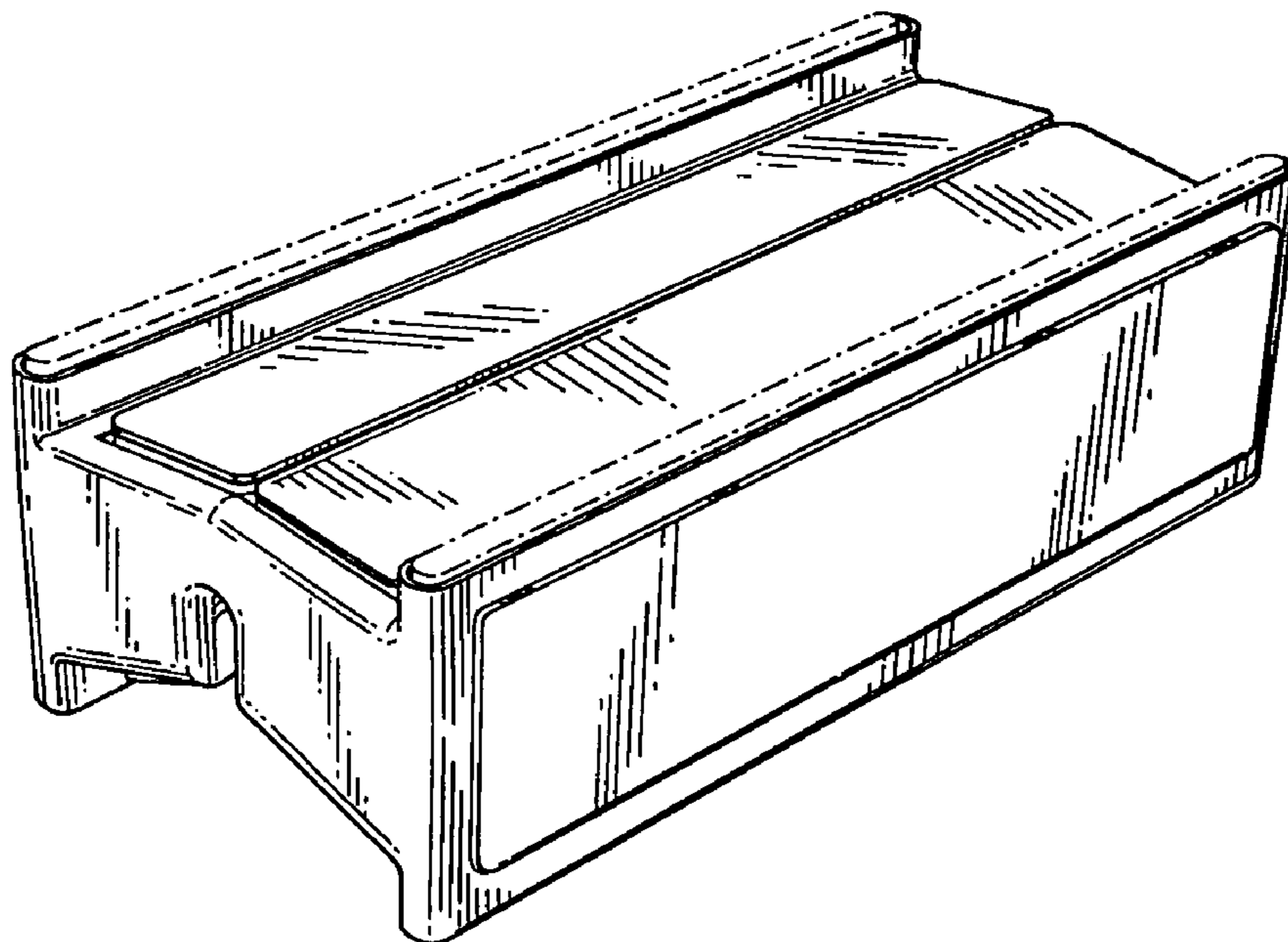


FIG.2

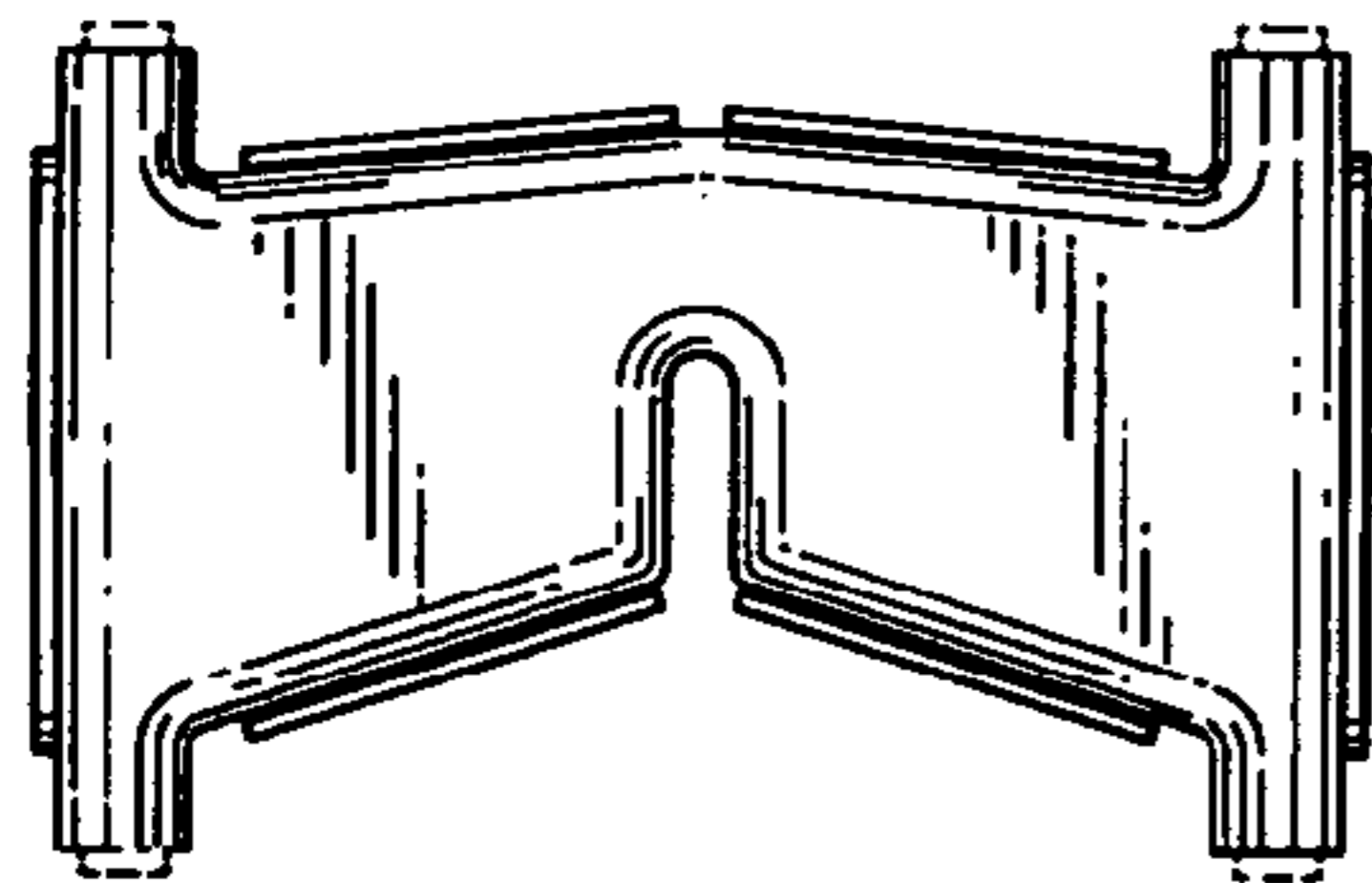


FIG.4

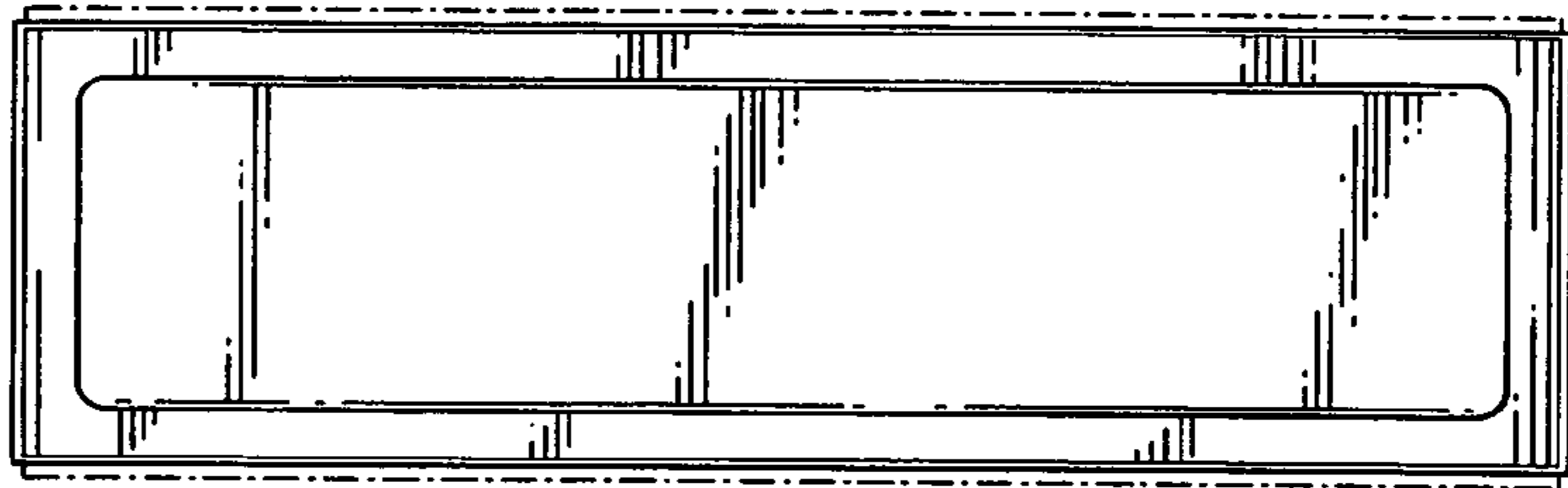


FIG.1

FIG.3

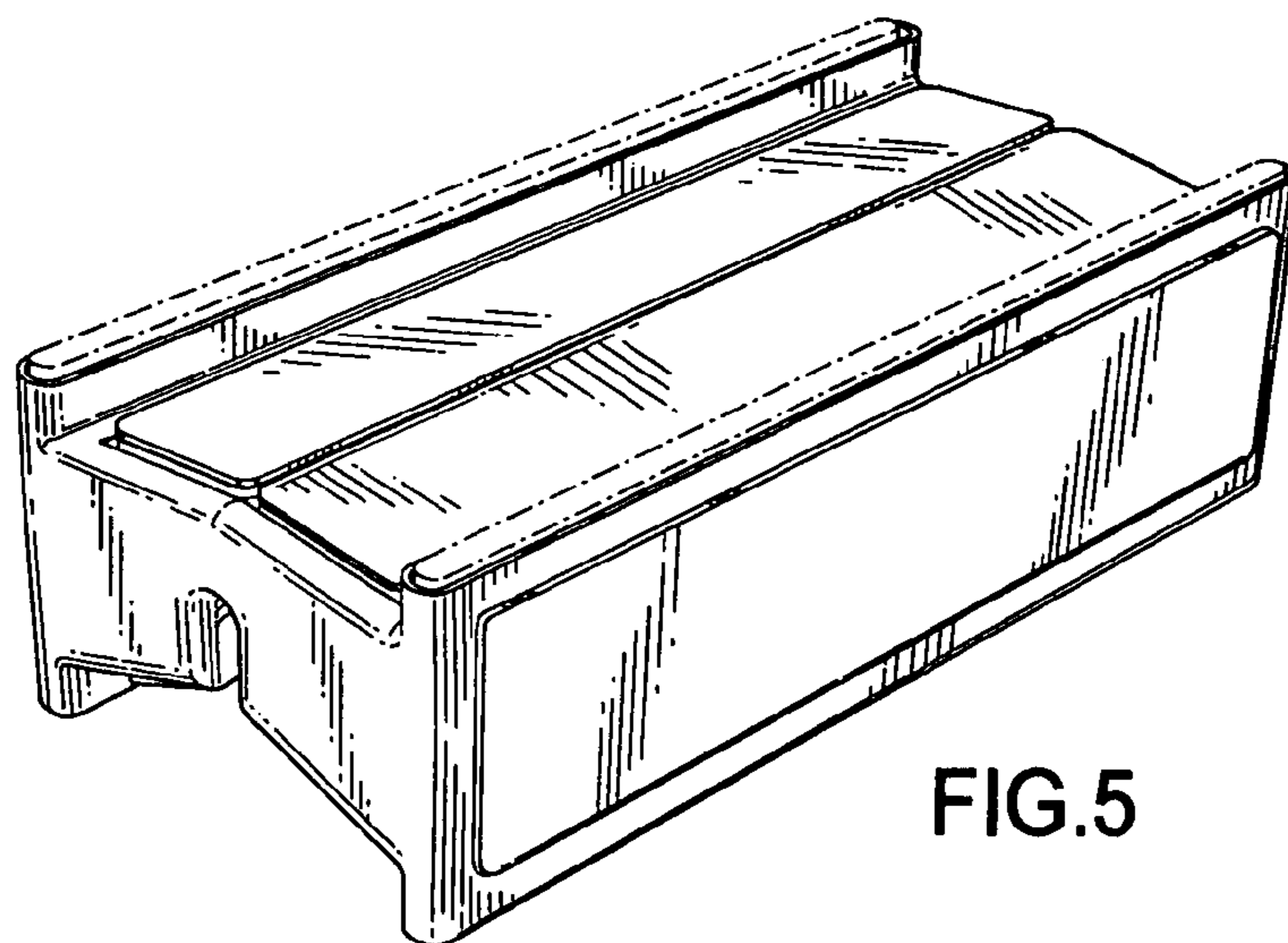
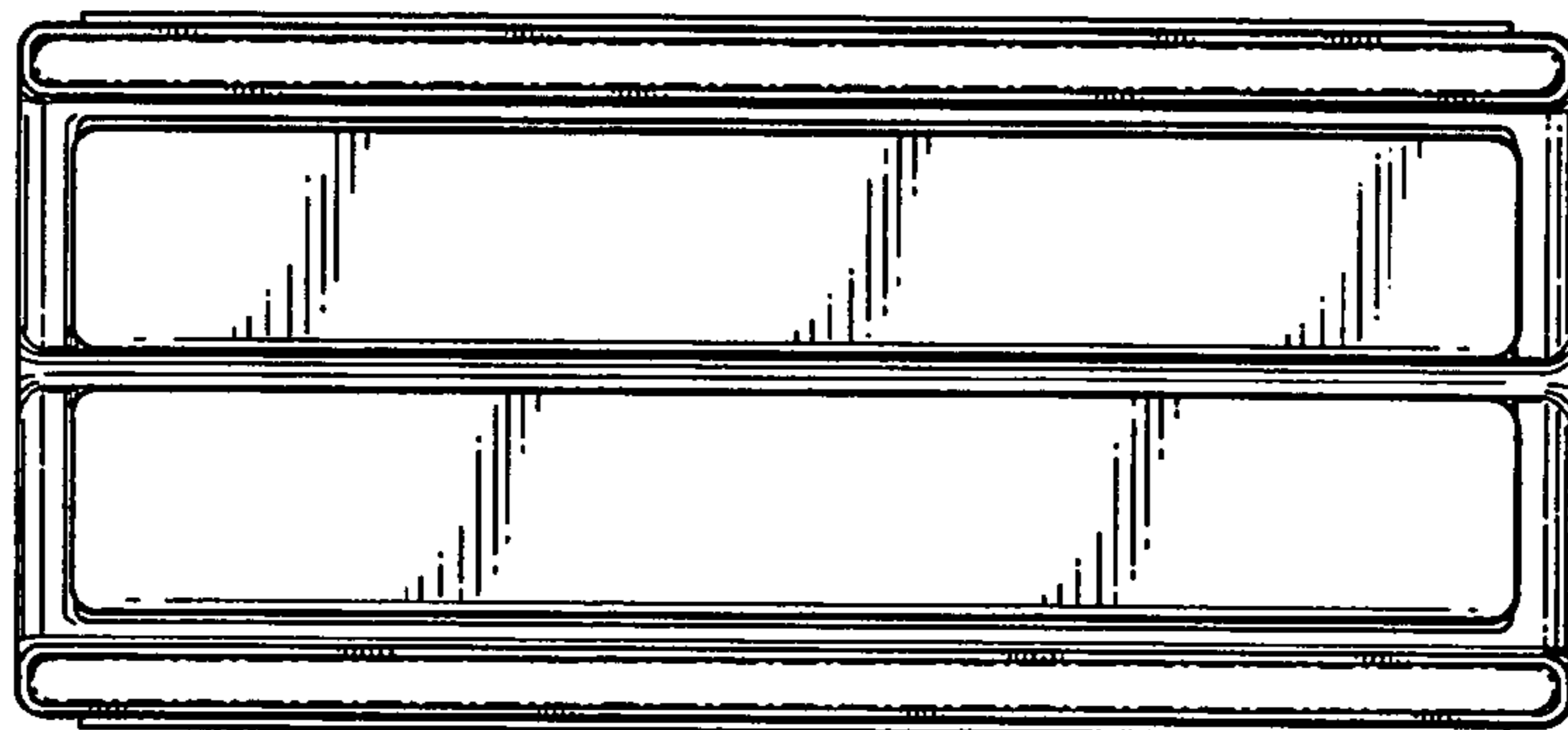


FIG.5

FIG.7

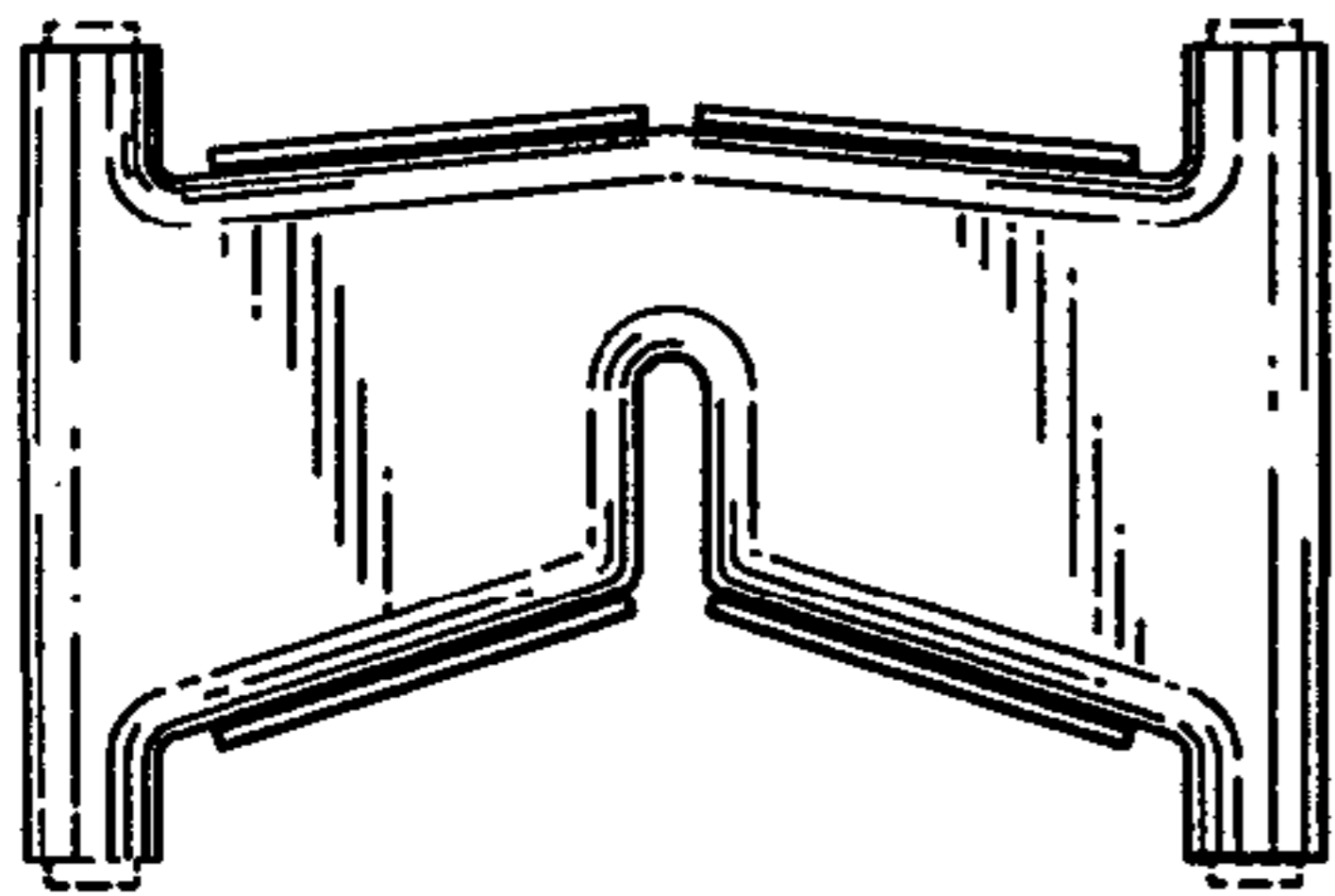
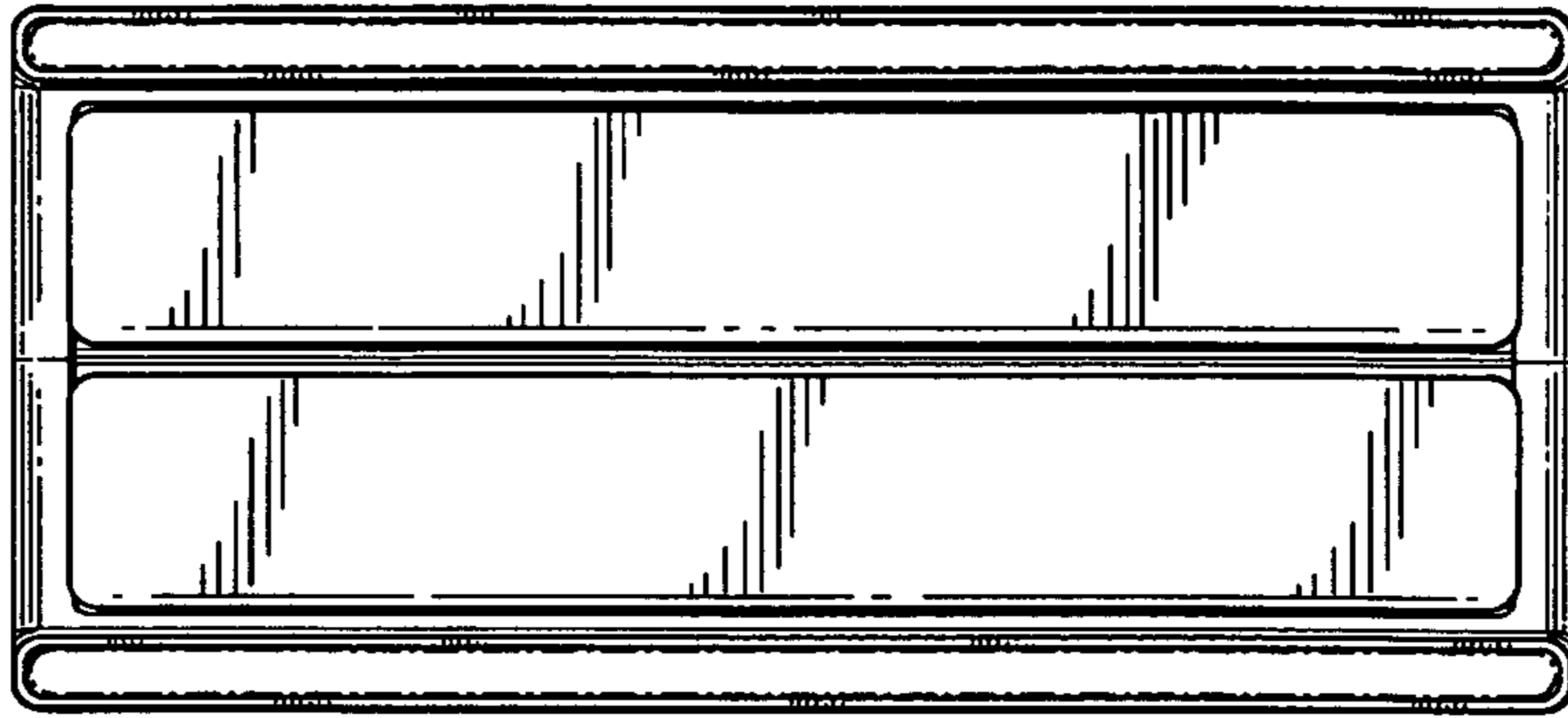


FIG.9

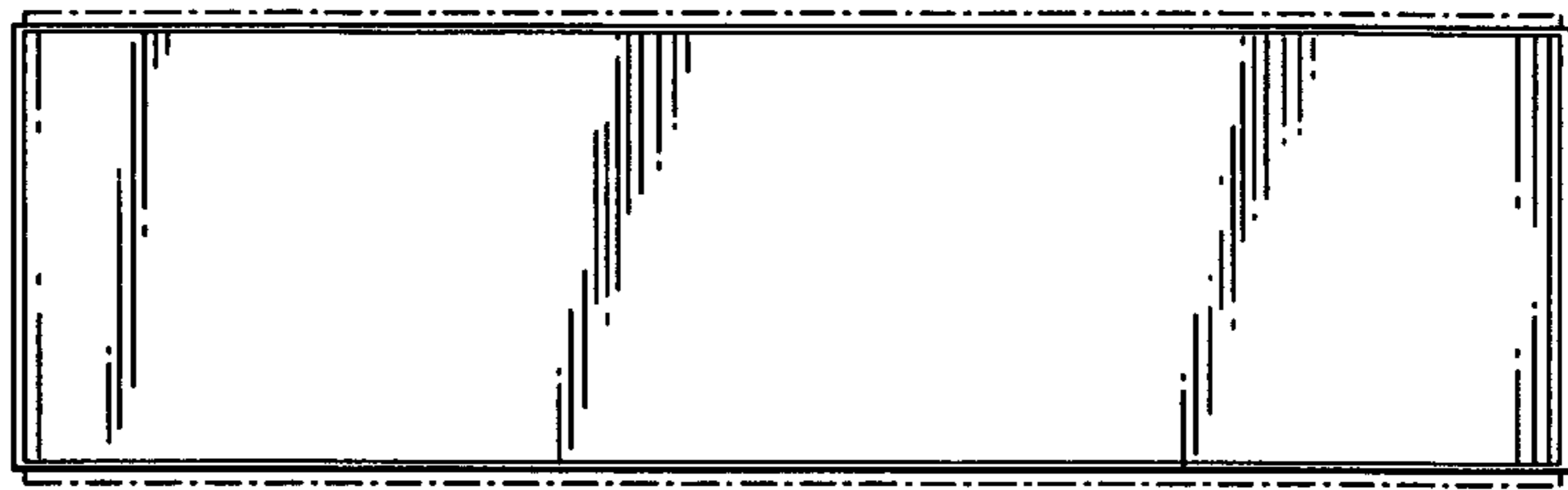


FIG.6

FIG.8

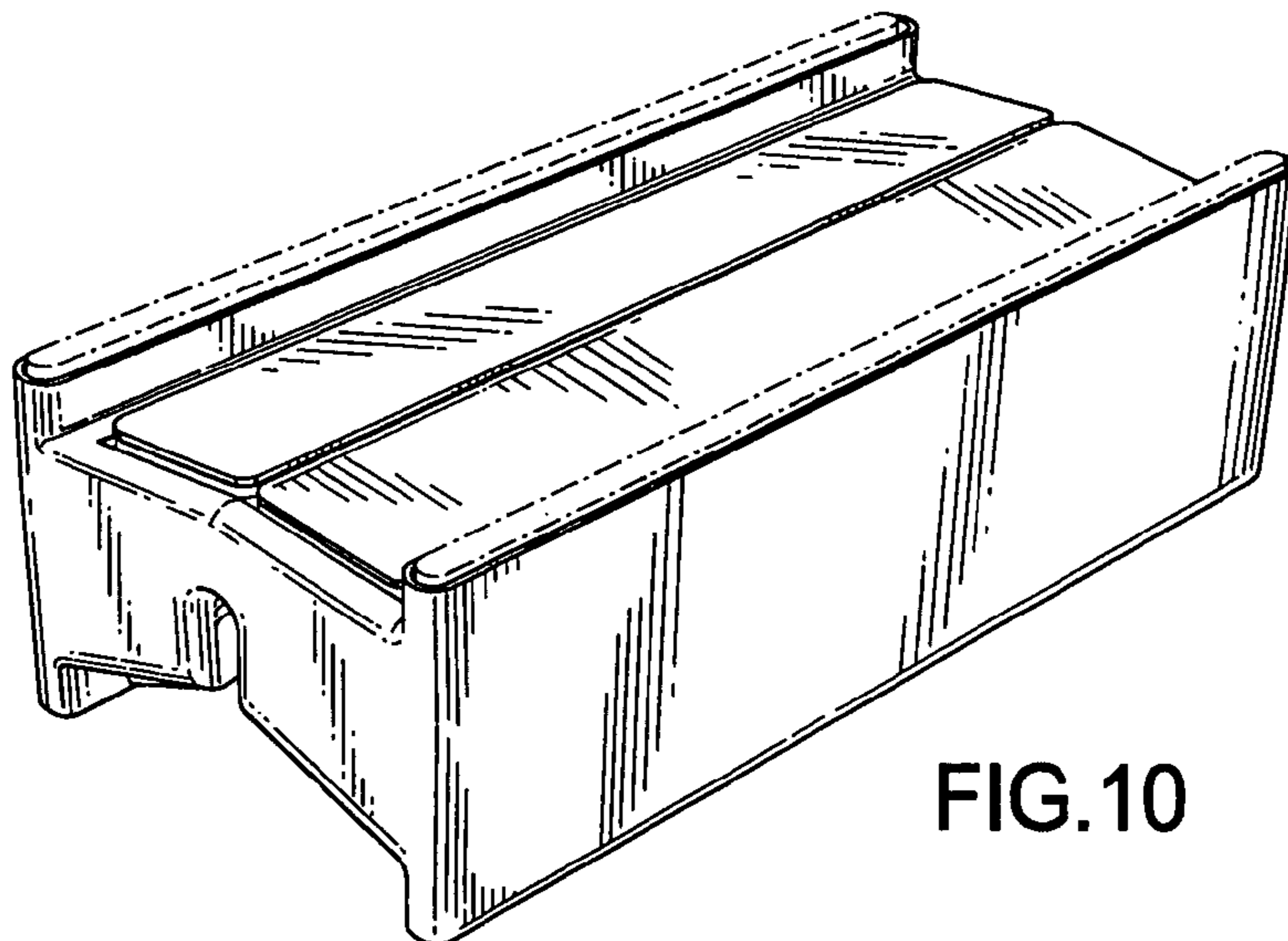


FIG.10