



US00D550526S

(12) **United States Design Patent**
Clark

(10) **Patent No.:** **US D550,526 S**

(45) **Date of Patent:** **** Sep. 11, 2007**

(54) **ZWICKEL TOOL**

(76) **Inventor:** **Darrick T. Clark**, 1638 Shady Glen
La., Dallas, TX (US) 75232

(**) **Term:** **14 Years**

(21) **Appl. No.:** **29/253,773**

(22) **Filed:** **Feb. 13, 2006**

(51) **LOC (8) Cl.** **08-05**

(52) **U.S. Cl.** **D8/14; D8/27**

(58) **Field of Classification Search** D8/14,
D8/27, 88, 89, 17, 21; 81/119, 120, 176.1,
81/176.15

See application file for complete search history.

(56) **References Cited**

U.S. PATENT DOCUMENTS

D230,465	S	*	2/1974	Lange	D8/44
D299,205	S	*	1/1989	Reese	D8/19
5,823,222	A	*	10/1998	Minshull et al.	137/15.15
D420,261	S	*	2/2000	Carter, Jr.	D8/16
6,076,435	A	*	6/2000	White et al.	81/176.2
6,131,494	A	*	10/2000	Quenneville	81/125.1

6,351,881	B1	*	3/2002	Peckich et al.	29/275
6,450,069	B1	*	9/2002	Brahmbhatt	81/176.2
D530,576	S	*	10/2006	Levan	D8/14
D532,661	S	*	11/2006	Wood	D8/14

* cited by examiner

Primary Examiner—Philip S. Hyder

(74) *Attorney, Agent, or Firm*—Dennis T. Griggs

(57) **CLAIM**

The ornamental design for a zwickel tool, as shown and described.

DESCRIPTION

FIG. 1 is a perspective view showing my new design;

FIG. 2 is a top plan view thereof;

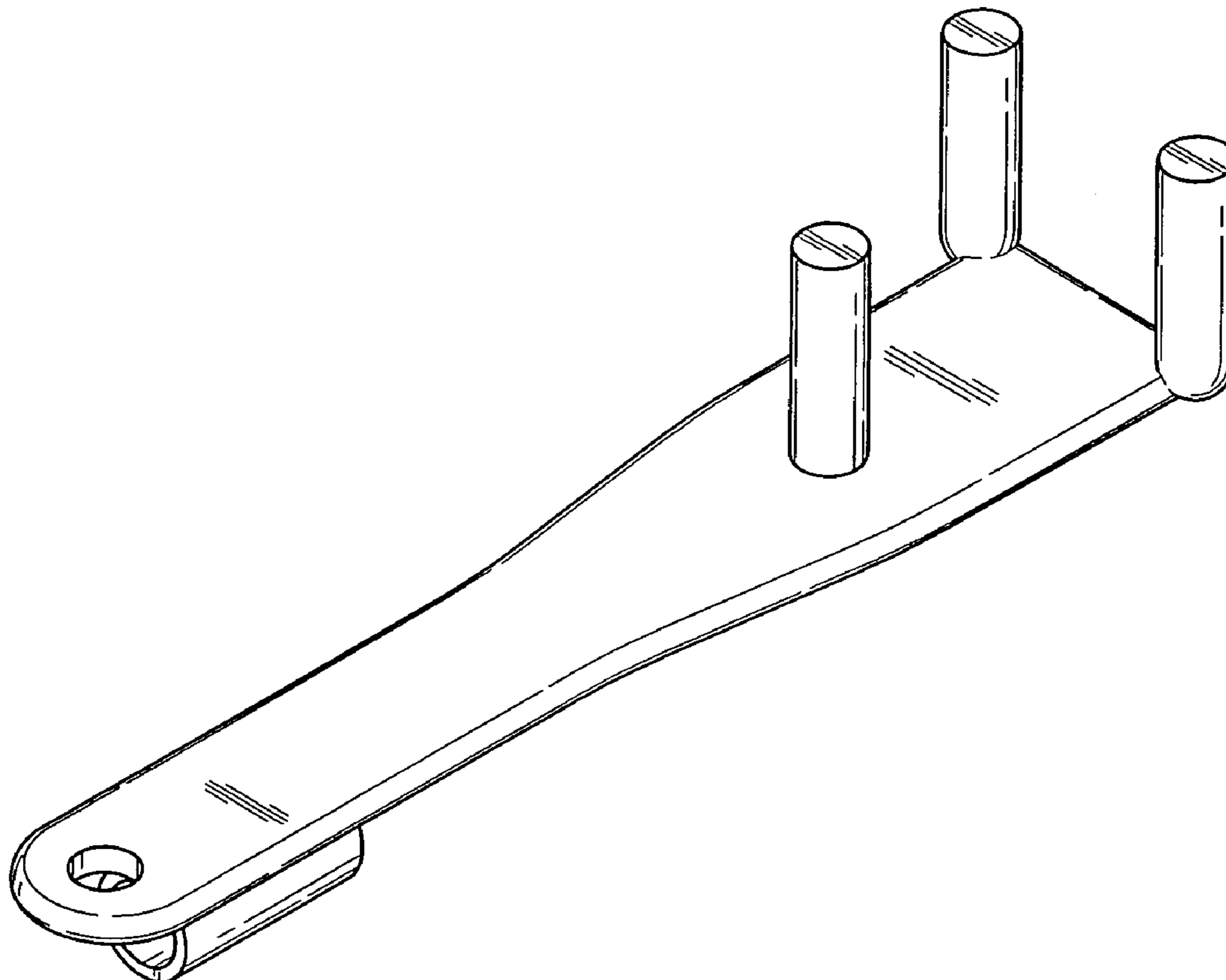
FIG. 3 is a bottom plan view thereof;

FIG. 4 is a right side elevational view thereof, the left side elevational view being a mirror image thereof;

FIG. 5 is a right end elevational view thereof; and,

FIG. 6 is a left end elevational view thereof.

1 Claim, 3 Drawing Sheets



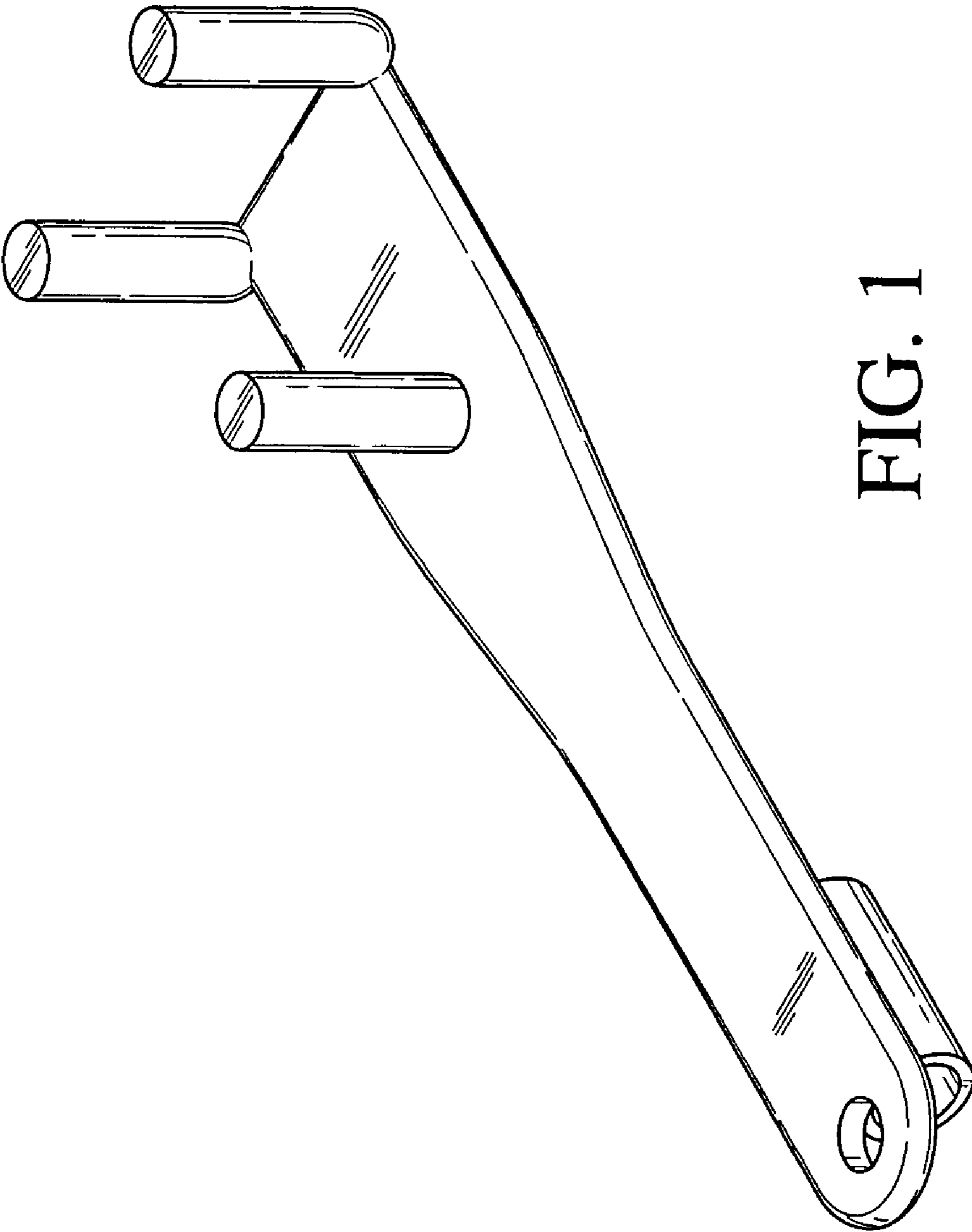


FIG. 1

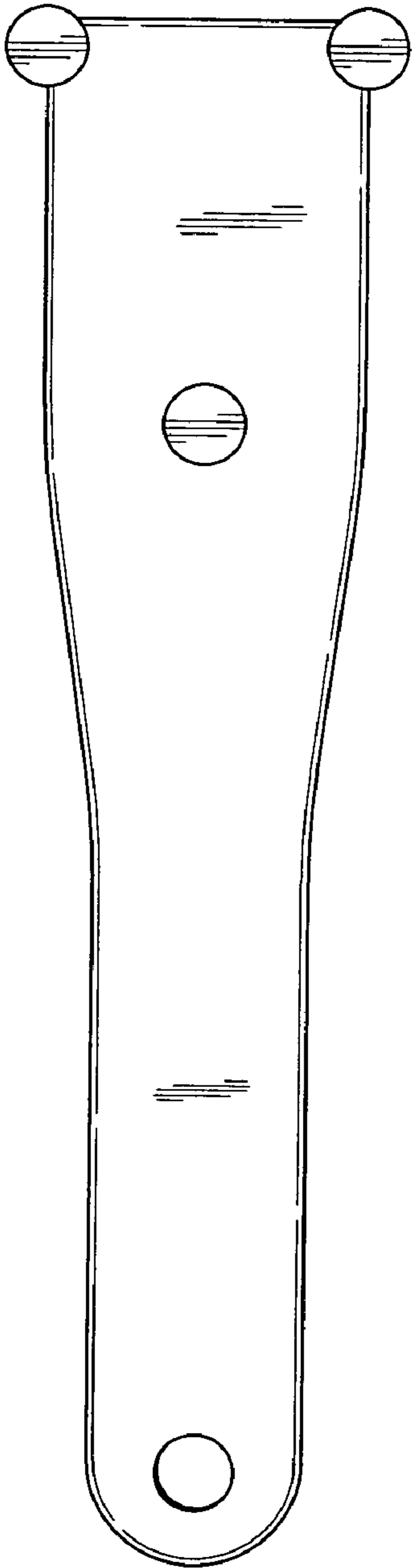


FIG. 2

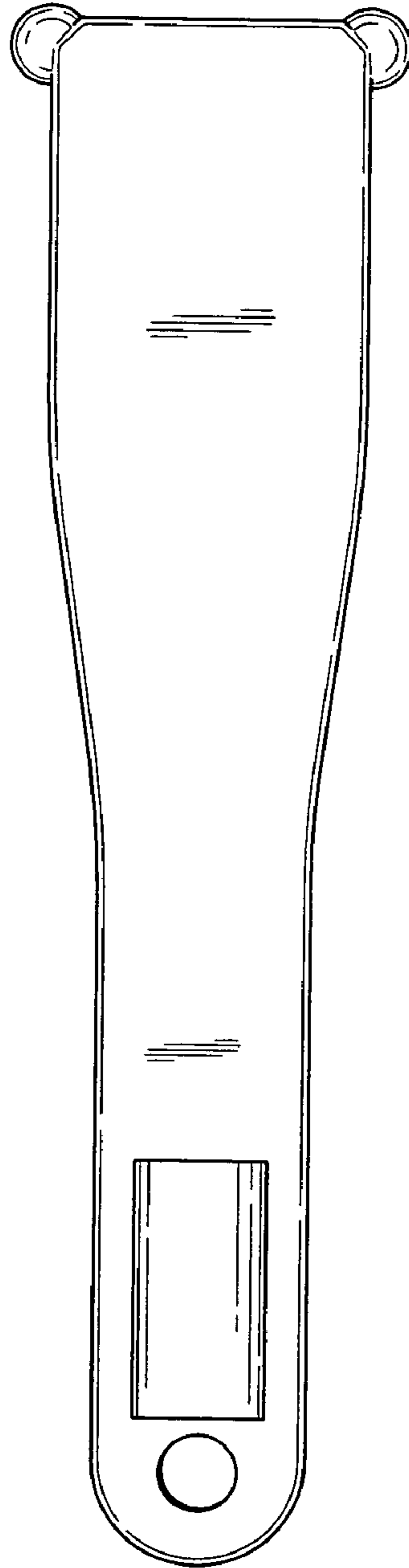


FIG. 3

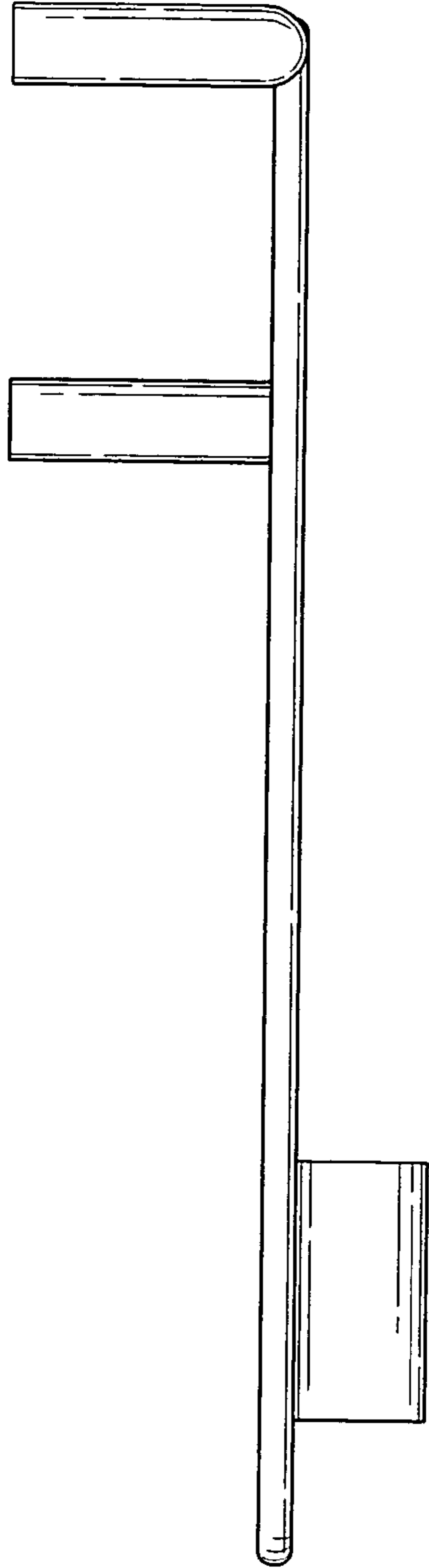


FIG. 4

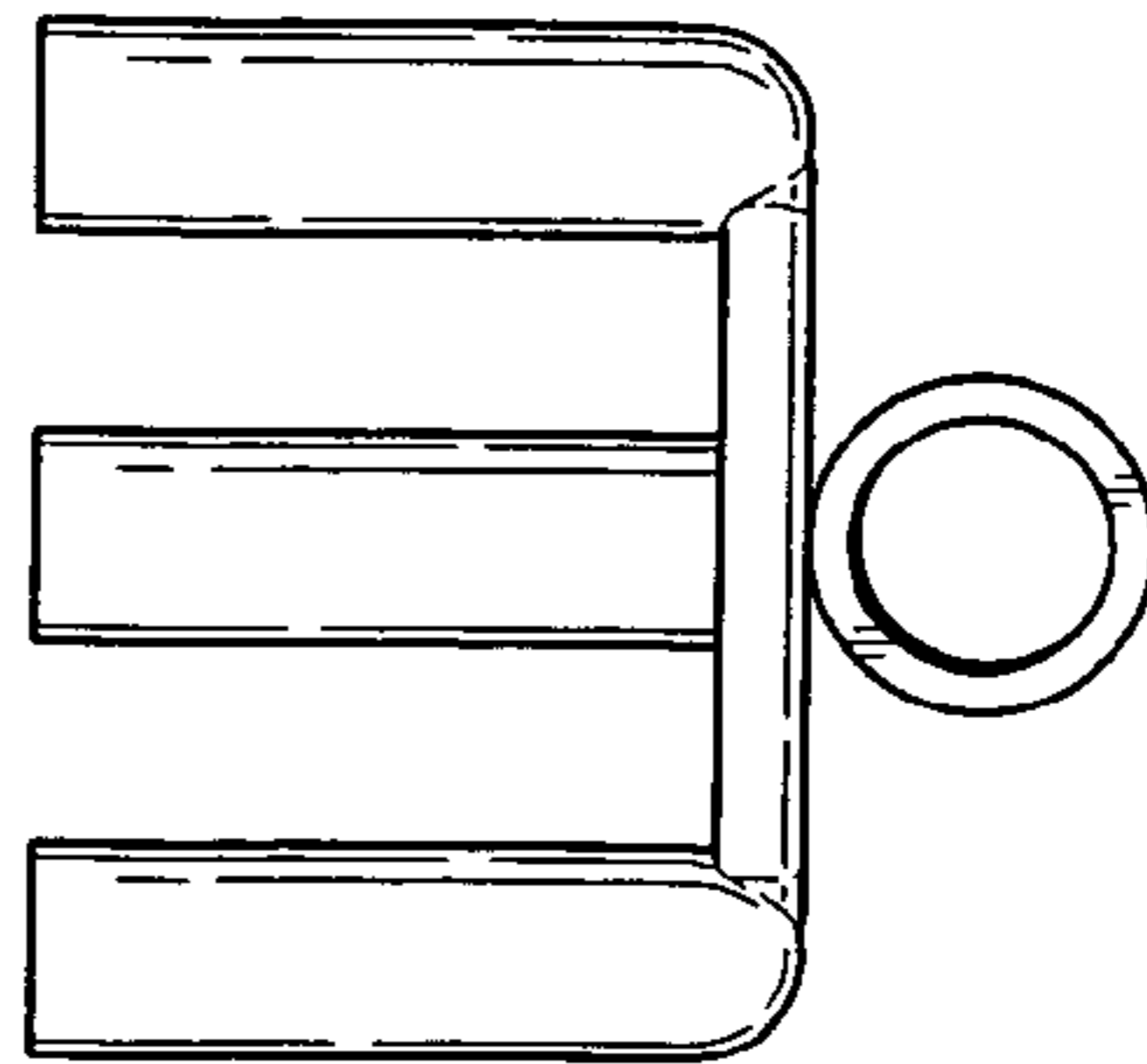


FIG. 5

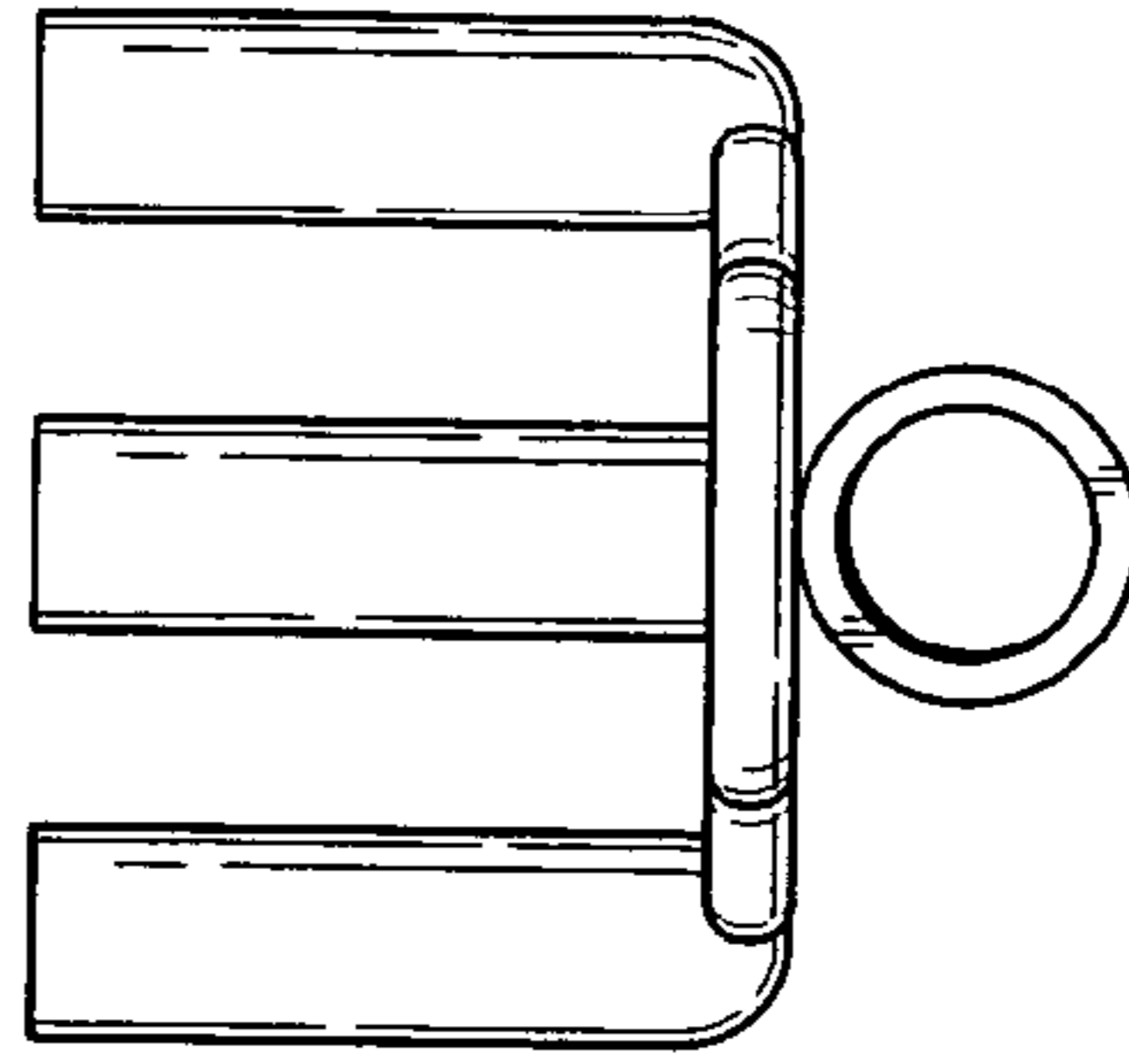


FIG. 6