

US00D550514S

(12) **United States Design Patent** (10) **Patent No.:** **US D550,514 S**
Chiang et al. (45) **Date of Patent:** **** Sep. 11, 2007**

(54) **PORTIONS OF A FRUIT RIPENING CONTAINER**

(75) Inventors: **Chia C. Chiang**, 418 N. La Jolla, Los Angeles, CA (US) 90048; **Blake McEldowney**, New York, NY (US); **Max Burton**, Portland, OR (US); **Brent D. Sokol**, 418 N. La Jolla, Los Angeles, CA (US) 90048

(73) Assignees: **Chia C. Chiang**, Los Angeles, CA (US); **Brent D. Sokol**, Los Angeles, CA (US)

(**) Term: **14 Years**

(21) Appl. No.: **29/250,626**

(22) Filed: **Nov. 23, 2006**

Related U.S. Application Data

(63) Continuation of application No. 29/224,068, filed on Feb. 23, 2005.

(51) **LOC (8) Cl.** **07-01**

(52) **U.S. Cl.** **D7/629**

(58) **Field of Classification Search** D7/538-542, D7/602, 629, 368, 669, 412, 391-392.1; D9/424-429; 62/457.1-457.9, 371, 372; 99/467-482; 426/118, 106; 220/786-806

See application file for complete search history.

(56) **References Cited**

U.S. PATENT DOCUMENTS

1,126,258 A 1/1915 Myers

(Continued)

FOREIGN PATENT DOCUMENTS

DE 2259561 A 6/1974

(Continued)

OTHER PUBLICATIONS

Kitinoja, Lisa, et al., "Small-scale Postharvest Handling Practices—A Manual for Horticultural Crops—3rd Ed.," Postharvest Horticulture Series No. 8—Mar. 1995, entire page—excerpt from Section 9 on Ripening, University of California—Davis, Postharvest Technology Research and Information Center, Davis, CA, U.S.A.

RETROMODERN.COM, "Lobo Fruit Bowl / Bread Basket design year 1977," <http://www.retromodern.com>, © 2000-2001 (copyright before effective date), all, U.S.A..

(Continued)

Primary Examiner—Terry A. Wallace

(74) *Attorney, Agent, or Firm*—Brent D. Sokol, Esq.

(57) **CLAIM**

The ornamental design for portions of a fruit ripening container, as shown and described.

DESCRIPTION

FIG. 1 is a perspective view of a fruit ripening container.

FIG. 2 is a front view of portions of the fruit ripening container of FIG. 1.

FIG. 3 is top view of portions of the fruit ripening container of FIG. 1.

FIG. 4 is a side view of the portions of a fruit ripening container of FIG. 1. The opposite side of the portions of a fruit ripening container is a mirror image of the side view.

FIG. 5 is a perspective view of a fruit ripening container.

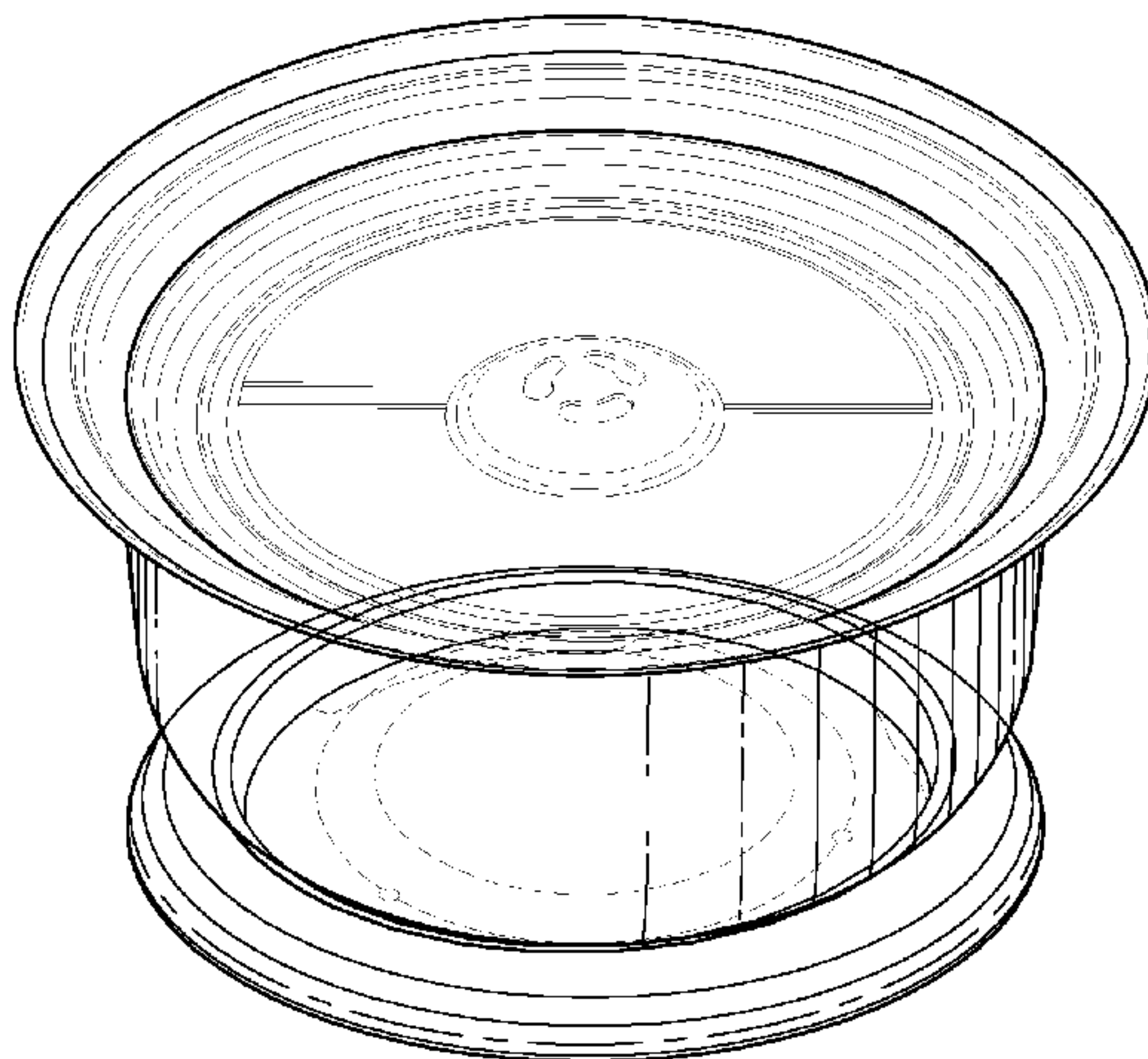
FIG. 6 is a front view of portions of the fruit ripening container of FIG. 5.

FIG. 7 is a top view of portions of the fruit ripening container of FIG. 5; and,

FIG. 8 is a side view of the portions of a fruit ripening container of FIG. 1. The opposite side portions of the fruit ripening container is a mirror image of the side shown.

The broken lines are for illustrative purposes only and form no part of the claimed design.

1 Claim, 6 Drawing Sheets



U.S. PATENT DOCUMENTS

1,985,670	A	12/1934	Sykes	
2,412,325	A	12/1946	Devine, et al.	
3,298,511	A	1/1967	Schertz	
D210,311	S	2/1968	Newman	
3,480,197	A	11/1969	Massey	
D244,246	S	5/1977	Daenen	
D247,945	S *	5/1978	Saunders	D7/539
D252,312	S	7/1979	Ackeret	
D259,400	S	6/1981	Carroll et al.	
D267,071	S	11/1982	Carlson	
4,440,321	A	4/1984	Campbell et al.	
D273,652	S	5/1984	Lederman et al.	
D278,674	S	5/1985	Tardif et al.	
D291,397	S	8/1987	Unger	
D293,082	S	12/1987	Butler	
4,842,875	A	6/1989	Anderson	
4,886,372	A	12/1989	Greengrass et al.	
D305,618	S	1/1990	Blaser	
D312,555	S *	12/1990	Daenen et al.	D7/540
D322,186	S	12/1991	Rubbico	
D327,394	S	6/1992	Scherer	
5,121,877	A	6/1992	Bodary et al.	
D336,596	S *	6/1993	Osgood et al.	D7/608
D346,552	S	5/1994	Krupa	
5,345,784	A	9/1994	Bazemore et al.	
5,427,808	A	6/1995	Adams	
D360,825	S	8/1995	Knoss et al.	
D379,300	S	5/1997	Krupa et al.	
D380,381	S	7/1997	Krupa et al.	
5,661,979	A	9/1997	DeBoer	
5,667,827	A	9/1997	Breen et al.	
5,711,978	A	1/1998	Breen et al.	
5,758,794	A *	6/1998	Rider et al.	220/786
D396,408	S	7/1998	Carver	
D398,448	S	9/1998	Zanni	
5,829,602	A	11/1998	St. John Danko	
D411,714	S	6/1999	Wilson et al.	
5,916,614	A	6/1999	Gorlich	
6,013,293	A	1/2000	De Moor	
6,135,307	A	10/2000	Fahy	
D442,031	S	5/2001	Perez	
D442,834	S	5/2001	Perez	
6,376,032	B1	4/2002	Clarke et al.	
6,527,121	B1	3/2003	Flynn	
D475,621	S *	6/2003	Buchalski et al.	D9/428
D475,897	S *	6/2003	Zettle et al.	D7/629
D476,506	S	7/2003	Sneider	
6,651,445	B1	11/2003	Clark et al.	
D487,698	S	3/2004	Rasmussen	
D494,062	S *	8/2004	Willis	D9/428
D533,394	S	12/2006	Chiang et al.	
2005/0056158	A1	3/2005	Chiang et al.	
2006/0198064	A1	9/2006	Chiang et al.	
2006/0201340	A1	9/2006	Chiang et al.	

FOREIGN PATENT DOCUMENTS

EP	0282180	A2	9/1988
EP	0417947	A1	3/1991
EP	0636555	A1	2/1993
FR	2242872	A5	3/1975
JP	6484871	A	3/1989
JP	6485064	A	3/1989
JP	1146677	A	2/1999
JP	D1068100	S	4/2000
TW	286124		9/1996
WO	99446715	A1	9/1999

OTHER PUBLICATIONS

CATALOGCITY.COM, "Kitchen Basket—Banana Tree," <http://amos.catalogcity.com/cc?main=catalogcity&pcd=4328503&prd=6291163&ccsyn=22>, Jan. 22, 2003, all, U.S.A.

CATALOGCITY.COM, "Ripen-Right Fruit Bowl," [www.http://amos.catalogcity.com/cc.class/cc?main=catalog&pcd=4989142&prd=7194690&ccsyn=22](http://www.amos.catalogcity.com/cc.class/cc?main=catalog&pcd=4989142&prd=7194690&ccsyn=22), Jan. 22, 2003, all, U.S.A.

TABLETOOLS.COM, "Filio Fruit Tray, by Mono Table Top," http://www.tabletools.com/tabletools/showdetl.cfm?&DID=G&user_ID=2327780&st=5803, Feb. 2, 2003, all, U.S.A.

DESIGNSTORE.COM, "Rosendahl stainless steel fruit dish," <http://www.designstore.com/rosstainsteel.html>, Feb. 2, 2003, all, U.S.A.

SURPRISE.COM, "Fruit Ripening Brown," http://surprise.com/food/foodie/fruit_ripening-bowl.cfm, Feb. 2, 2003, all, U.S.A.

STARTSAMPLING.COM, "Hammacher Ripening Bowl," <http://www.startsampling.com/SIPProduct.iphtml?name=Ripening%20Bowl>, Feb. 3, 2003, all, U.S.A.

CATALOGCITY.COM, "Spathe Bowl," <http://r2.us.rmi.yahoo.com/rmi/http://amos.catalogcity.com/cc.class/ccrmivars?target=top?main=catalog&pcd=2921396&ccsyn>, Feb. 4, 2003, all, U.S.A.

CATALOGCITY.COM, "Fruit Bowl—Natural Wood," <http://r2.us.rmi.yahoo.com/rmi/http://amos.catalogcity.com/cc.class/cc/rmivars?target>, Feb. 4, 2003, all U.S.A.

Techno Scout, "Fruit Saver Advertisement," Parade Magazine, Feb. 9, 2003, Parade Publications, N.Y., U.S.A.

First Capital Craft Mall & Family Ties "Banana Hanger," <http://imagineifyouwill.site.yahoo.net/bananahanger.html>, Feb. 11, 2003, all, U.S.A.

TABLETOOLS.COM, "Top Serve Container," http://www.tabletools.com/tabletools/showdetl.cfm?&DID=G&Product_ID=2940&CATID, Feb. 11, 2003, all, U.S.A.

TARGET.COM, "Arthur Court Kitchen Banana & Fruit Bowl," http://www.target.com/gp/detail.html/sr=1-1/qid=1044982115/ref=sr_1_1/601-9410451_73..., Feb. 11, 2003, all, U.S.A.

EBAY.COM, 70's "Space Age Terrarium Fruit Ripener," <http://cgi.ebay.com/wseBay1SAA.d117ViewItem&item=2306242466&Category=367>, Feb. 12, 2003, all, U.S.A.

KITCHENCLASSICS.COM, "The Ingenious Kitchen Tool"—Koller-Craft Fruit Ripener, <http://kitchen-classics.com/fruitripenener.html>, Feb. 12, 2003, all, U.S.A.

Koller-Craft Plastic Products, "How it Works," Product Insert for Koller-Craft Fruit Ripener, Feb. 12, 2003 or earlier, Koller-Craft Plastic Products, Fenton, MO, U.S.A.

Stedelijk Museum, "Gij's Bakker Flow (Fruit Bowl) 2000-2002," Stedelijk Museum Bulletin, Apr. 2003, p. 37, photo, Netherlands.

Chia C. Chiang et. al., Vent and Base Portions of a Fruit Ripening Display, U.S. Appl. No. 29/223,882, filed Feb. 16, 2005 (unpublished copending US design patent application).

Chia C. Chiang et. al., Portions of a Fruit Ripening Container, U.S. Appl. No. 29/224,068, filed Feb. 23, 2005 (unpublished copending US design patent application).

Chia C. Chiang et. al., Portions of a Fruit Display, U.S. Appl. No. 29/275,641, (unpublished copending US design patent application), continuation of U.S. Appl. No. 29/223,882, filed Feb. 16, 2005.

Chia C. Chiang et. al., A Vent Portion of a Fruit Ripening Display, U.S. Appl. No. 29/250,629, (unpublished copending US design patent application), continuation of U.S. Appl. No. 29/223,882, filed Feb. 16, 2005.

Chia C. Chiang et. al., Portions of a Fruit Ripening Display, U.S. Appl. No. 29/250,630, (unpublished copending US design patent application), continuation of U.S. Appl. No. 29/223,882, filed Feb. 16, 2005.

Chia C. Chiang et. al., Base Portion of a Fruit Ripening Display, U.S. Appl. No. 29/250,628, (unpublished copending US design patent application), continuation of U.S. Appl. No. 29/223,882, filed Feb. 16, 2005.

Chia C. Chiang et. al. Platter and Base, U.S. Appl. No. 29/224,073, filed Feb. 23, 2005 (unpublished copending US design patent application).

GIFCO, Gift Consultant Magazine, 1999, p. 203 93823S, Japan.

* cited by examiner

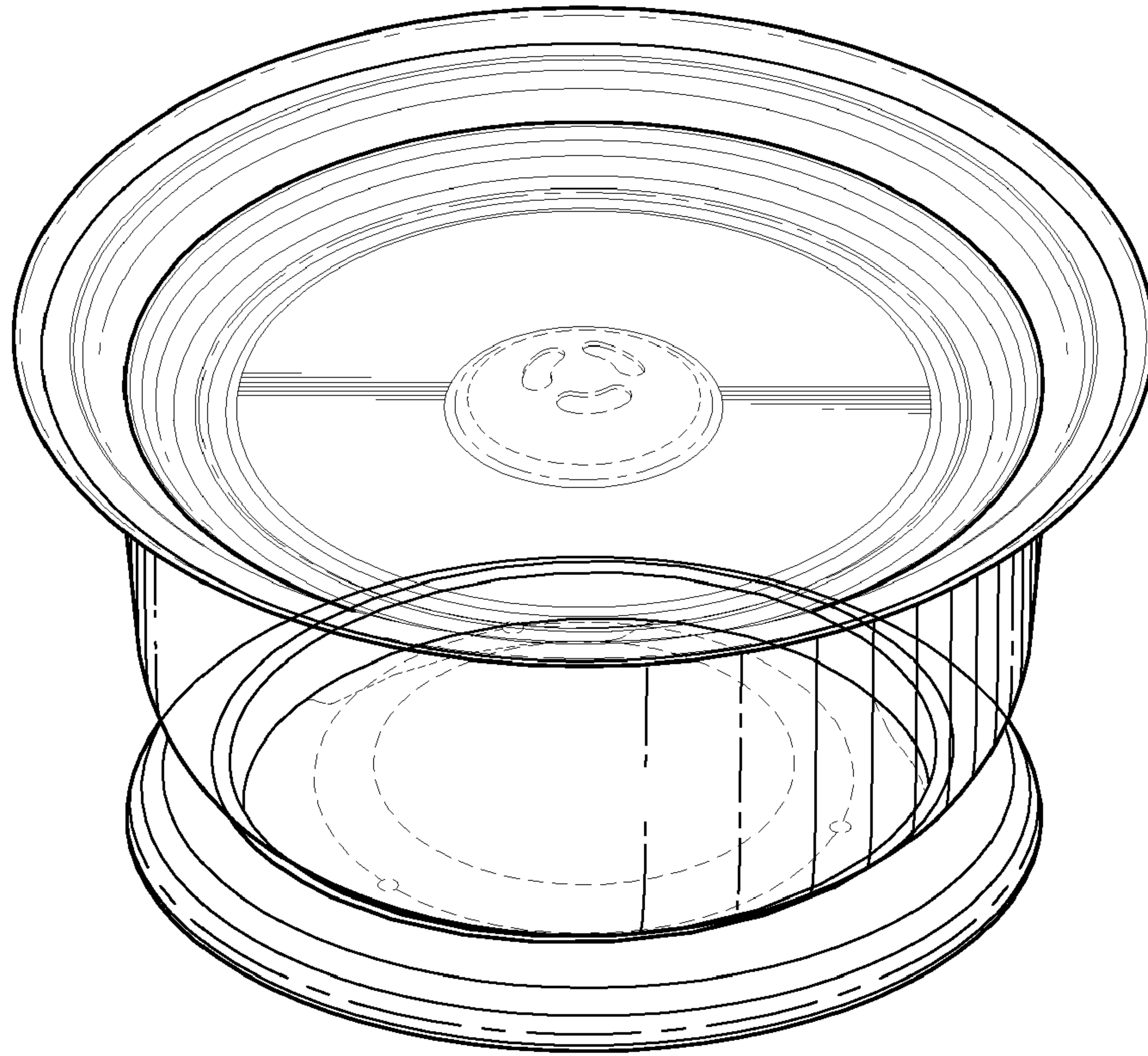


FIG. 1

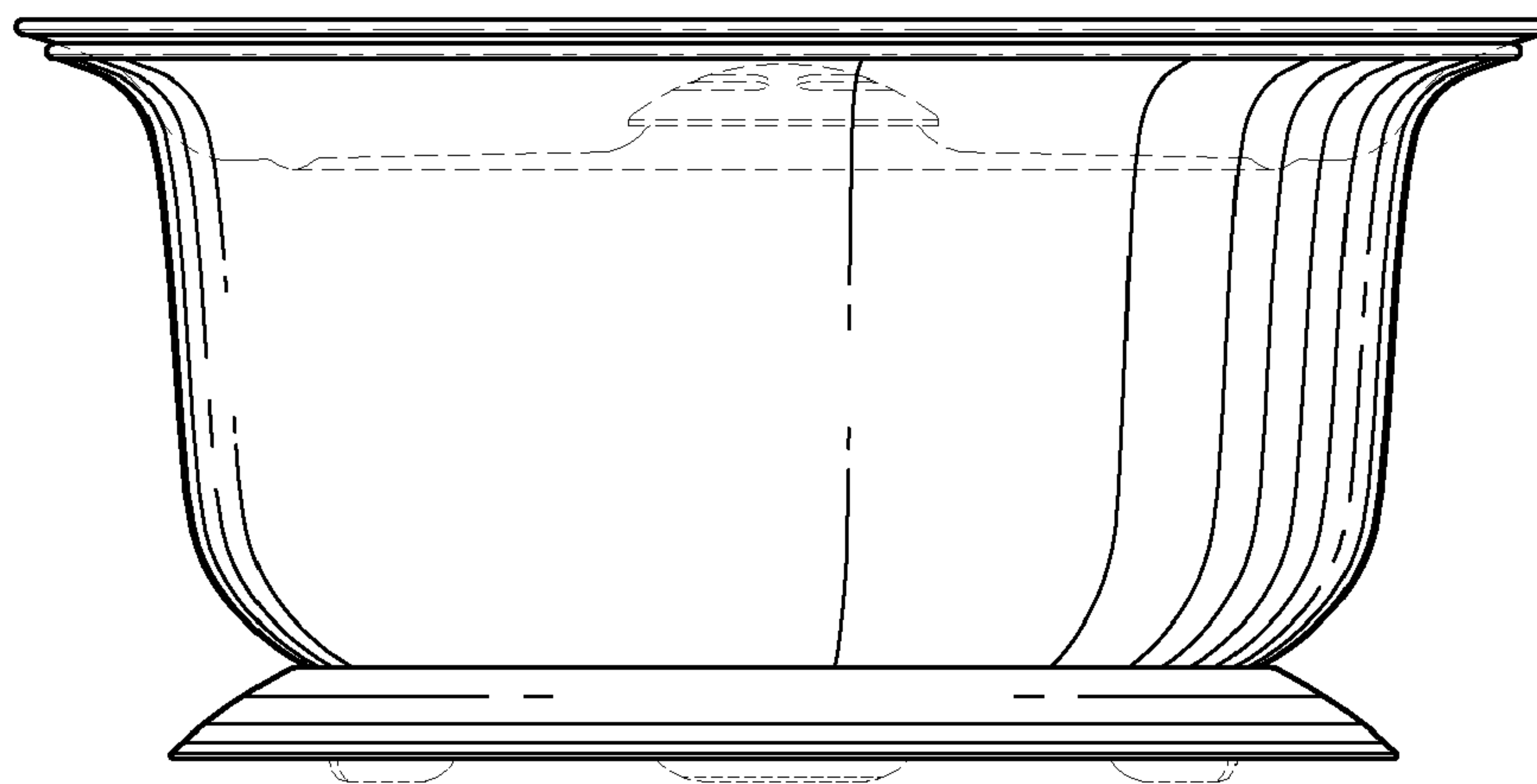


FIG. 2

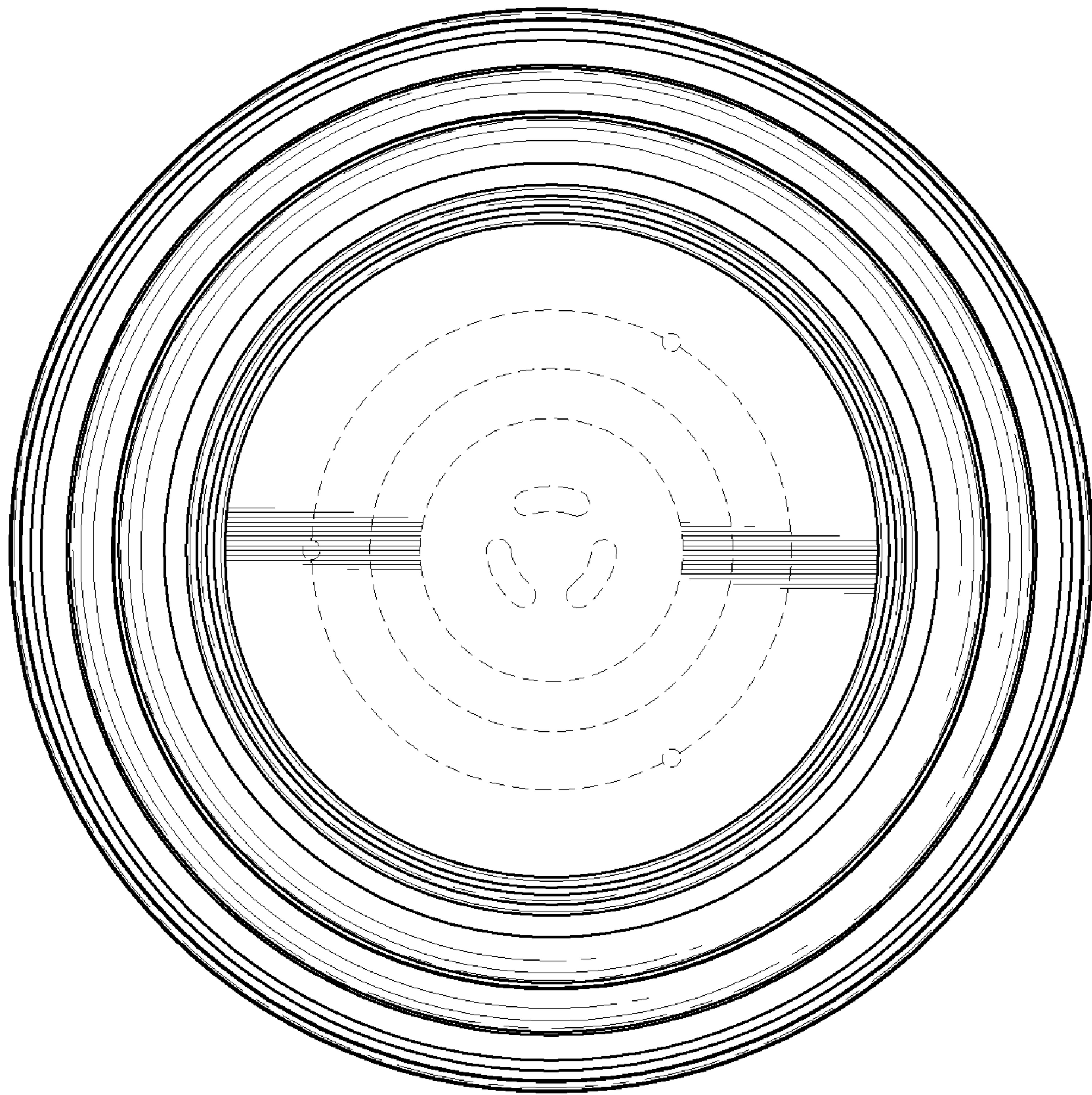


FIG. 3

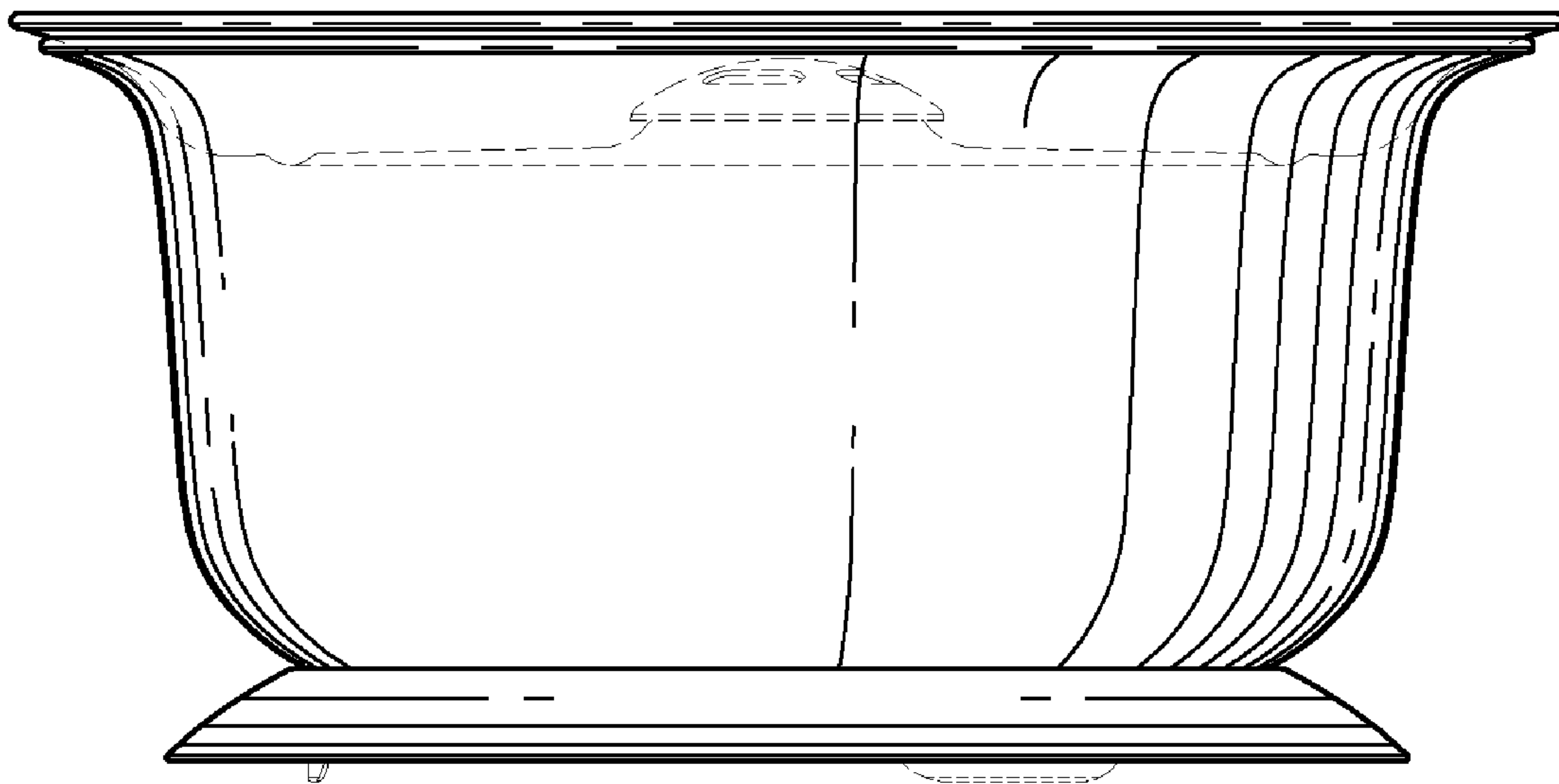


FIG. 4

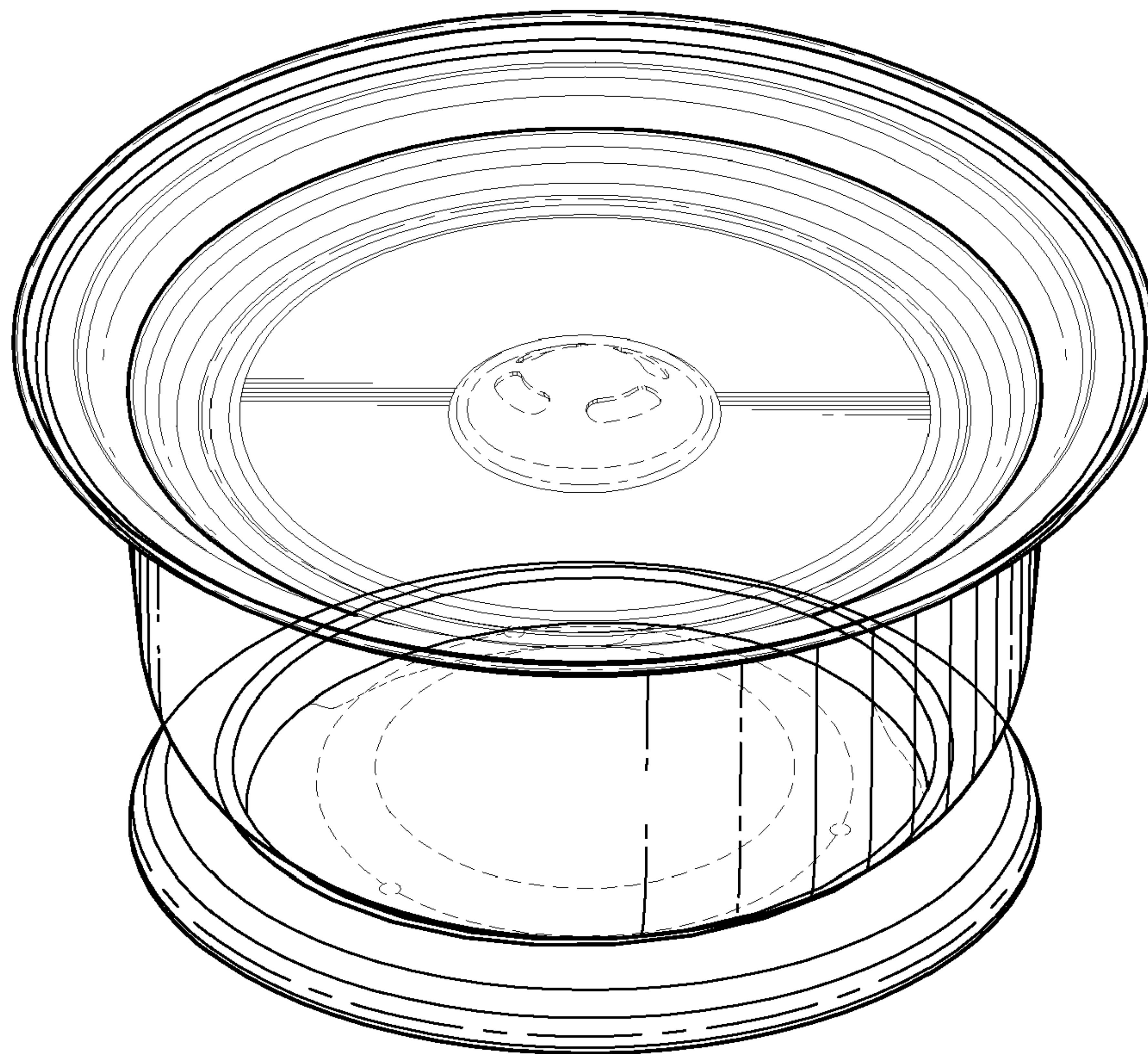


FIG. 5

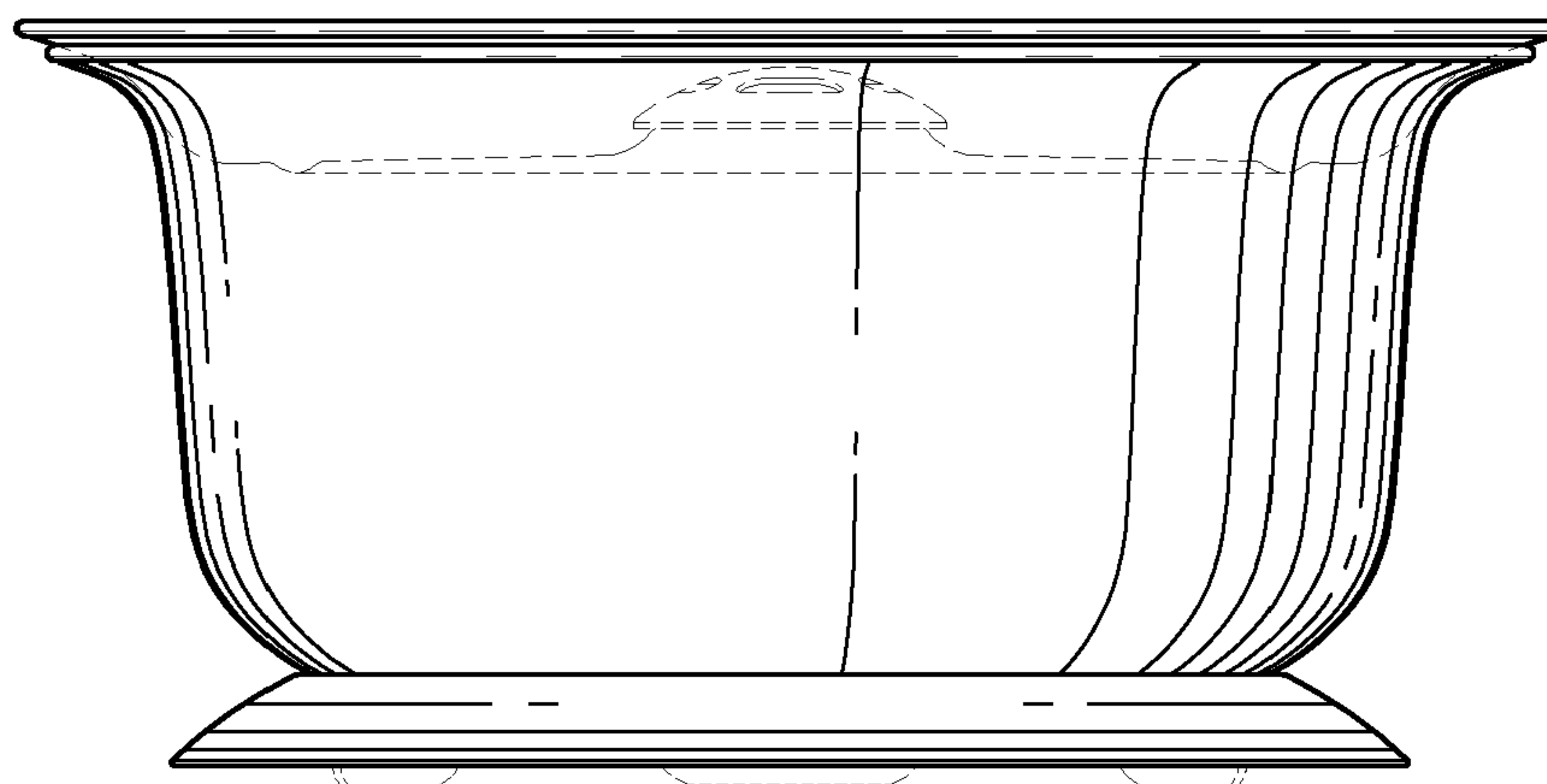


FIG. 6

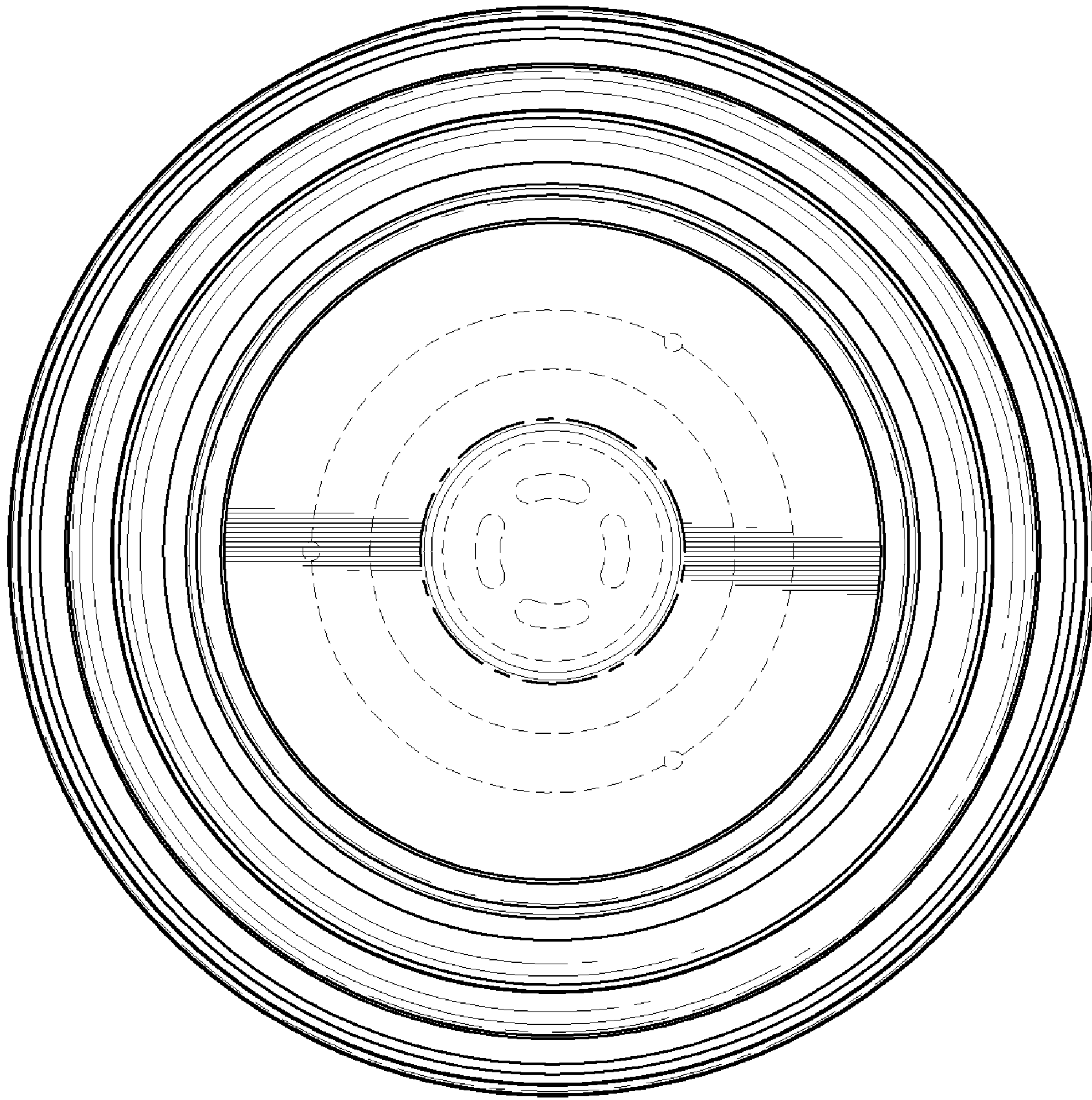


FIG. 7

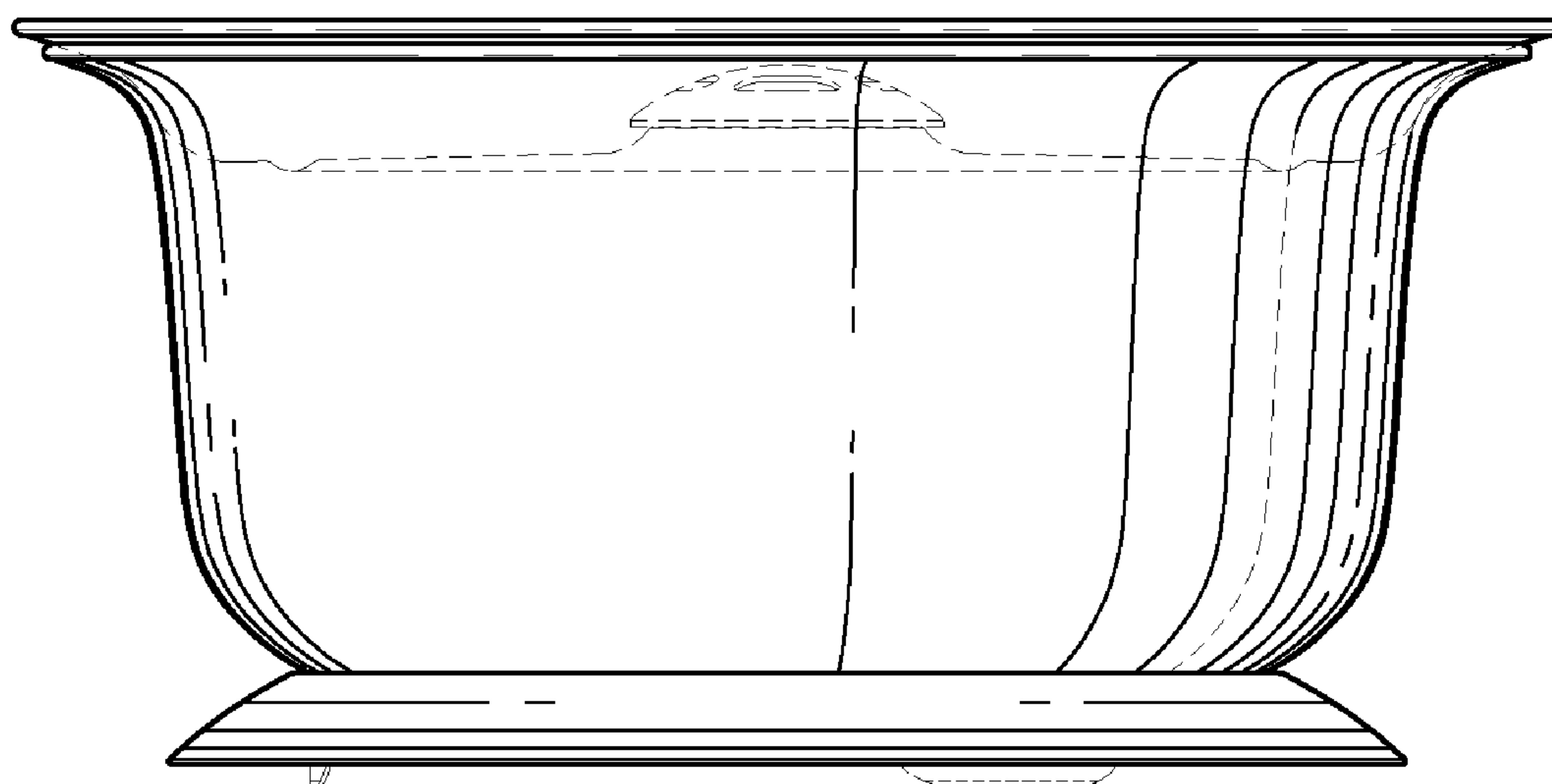


FIG. 8