



US00D550512S

(12) **United States Design Patent** (10) **Patent No.:** **US D550,512 S**  
**Delsol** (45) **Date of Patent:** **\*\* Sep. 11, 2007**

(54) **TEA BOX**

(75) Inventor: **Armand Delsol**, Noisy le Roi (FR)

(73) Assignee: **Fauchon**, Paris (FR)

(\*\*) Term: **14 Years**

(21) Appl. No.: **29/243,844**

(22) Filed: **Dec. 1, 2005**

(30) **Foreign Application Priority Data**

Jun. 1, 2005 (EP) ..... 000357736

(51) **LOC (8) Cl.** ..... **07-01**

(52) **U.S. Cl.** ..... **D7/615; D7/629**

(58) **Field of Classification Search** ..... D7/602,  
D7/612-615, 629; D9/763, 772, 779-781,  
D9/500-504; 220/377, 345.1, 780-906  
See application file for complete search history.

(56) **References Cited**

**U.S. PATENT DOCUMENTS**

D60,206 S \* 1/1922 Abbott ..... D9/781  
2,047,951 A \* 7/1936 Eberhart ..... 220/377  
D114,858 S \* 5/1939 Kamenstein ..... D7/612  
4,098,421 A \* 7/1978 Foster ..... 220/784  
D467,363 S \* 12/2002 West ..... D26/10

\* cited by examiner

*Primary Examiner*—Terry A. Wallace

(74) *Attorney, Agent, or Firm*—Mathews, Shepherd, McKay & Bruneau, P.A.

(57) **CLAIM**

The ornamental design for a tea box, as shown and described.

**DESCRIPTION**

FIG. 1 is a front and top perspective view showing my new design;

FIG. 2 is a front elevational view upon opening of a lid of the design shown in FIG. 1;

FIG. 3 is a front and top perspective view of the design shown in FIG. 2;

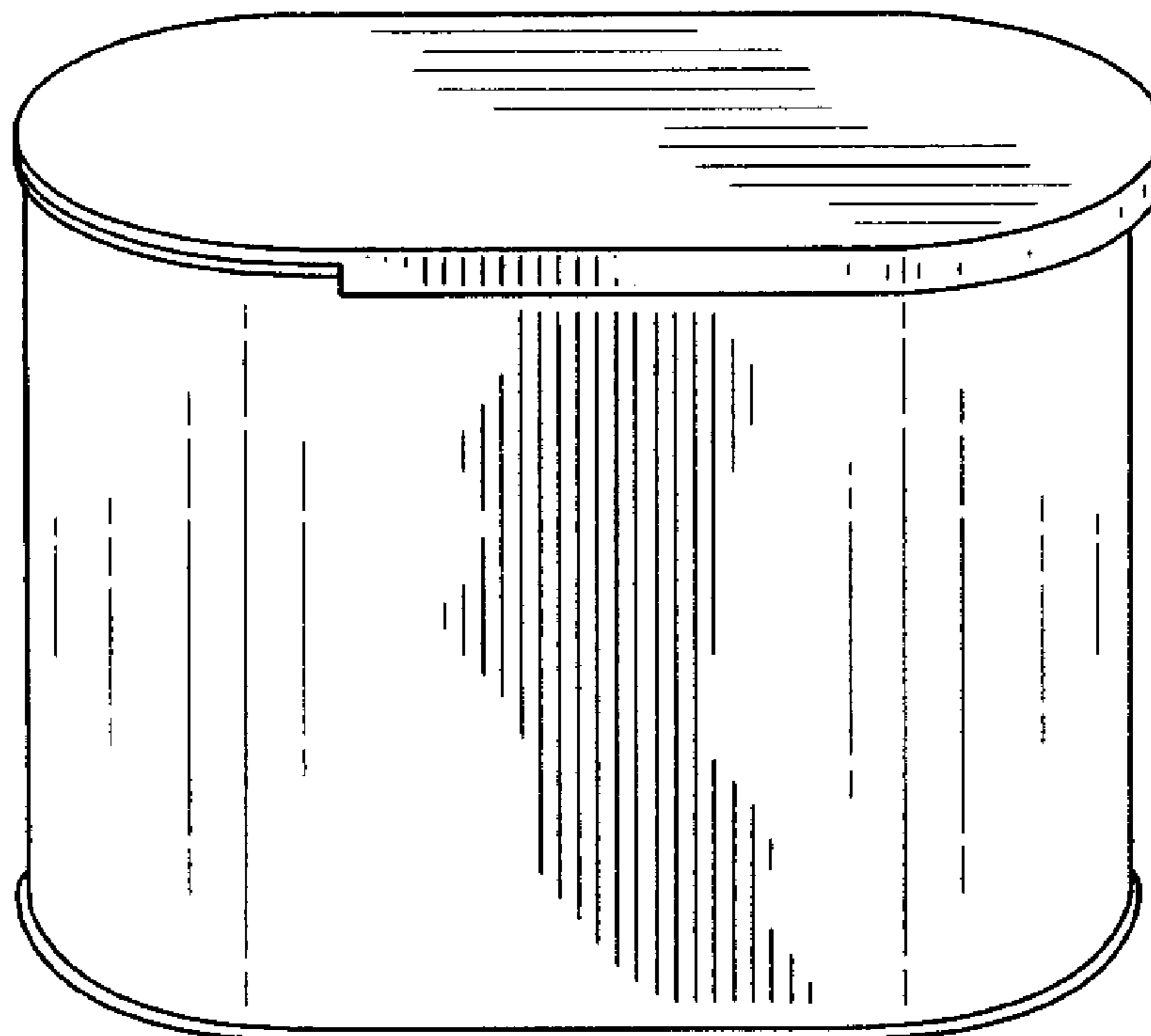
FIG. 4 is a side elevational view of the design upon further opening of the lid of the design shown in FIG. 1;

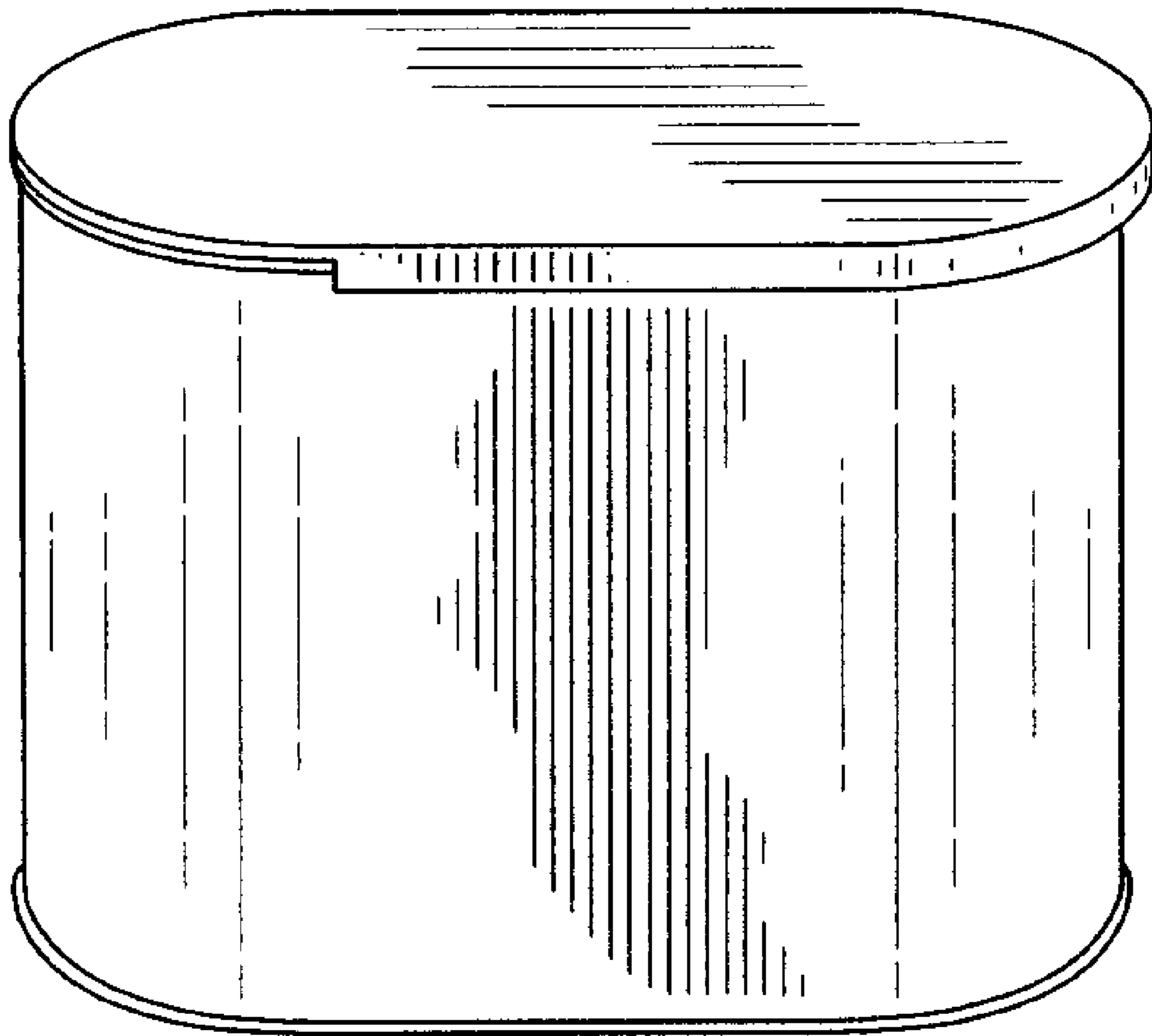
FIG. 5 is a perspective view upon further opening the lid and turning the box on its side;

FIG. 6 is a side perspective view with the lid removed from the box of the design of FIG. 1; and,

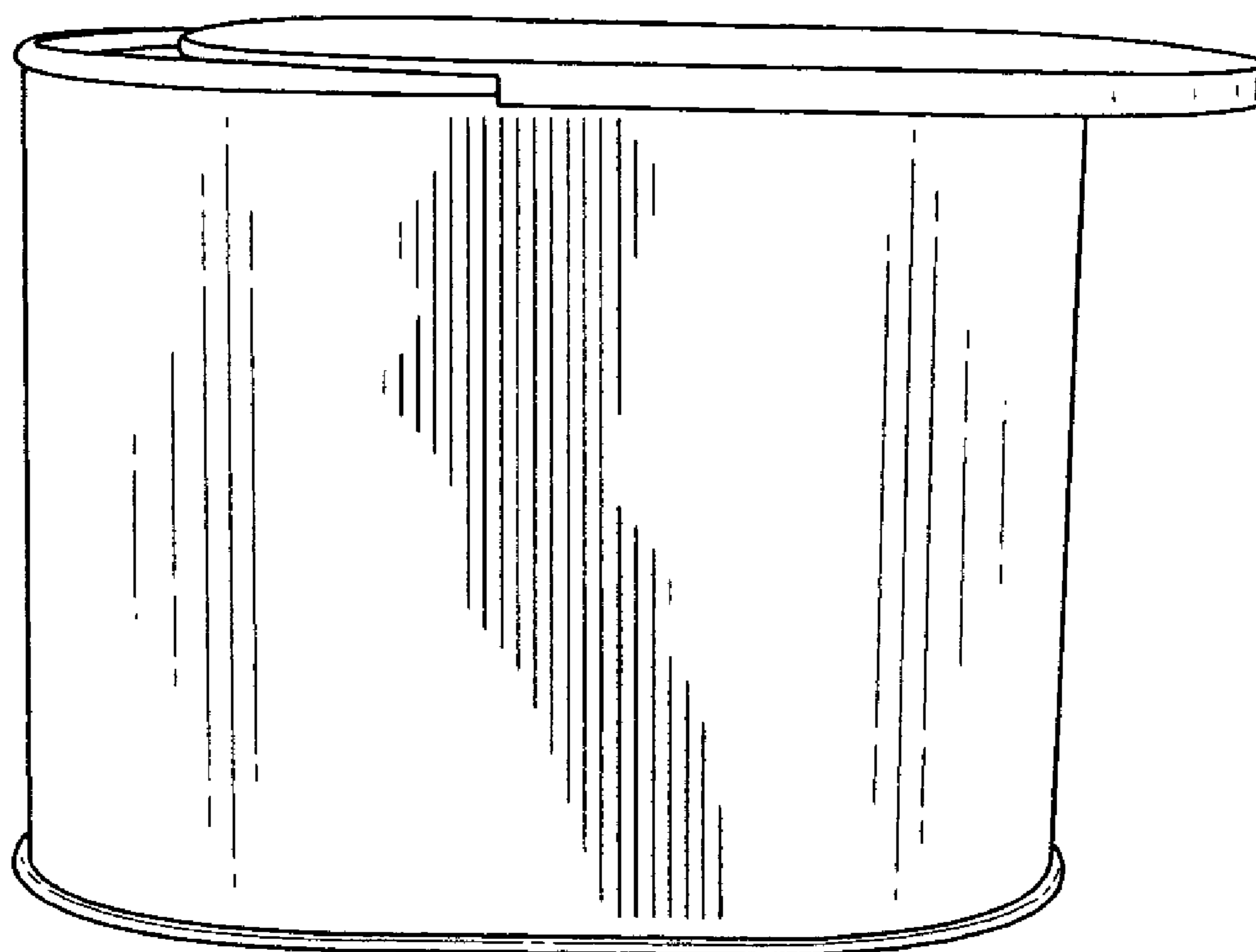
FIG. 7 is a top plan view of the box with the lid removed from the design of FIG. 1.

**1 Claim, 7 Drawing Sheets**

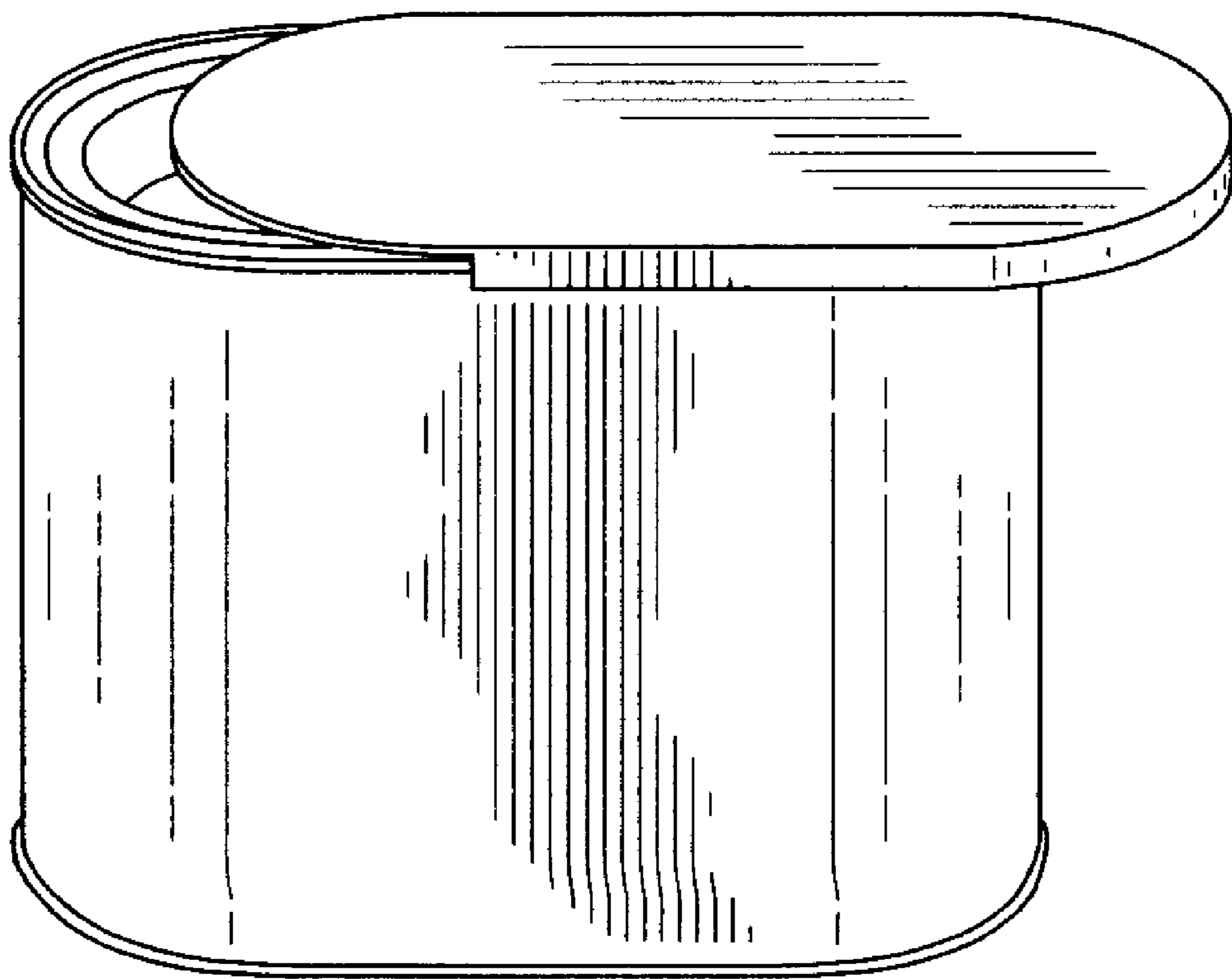




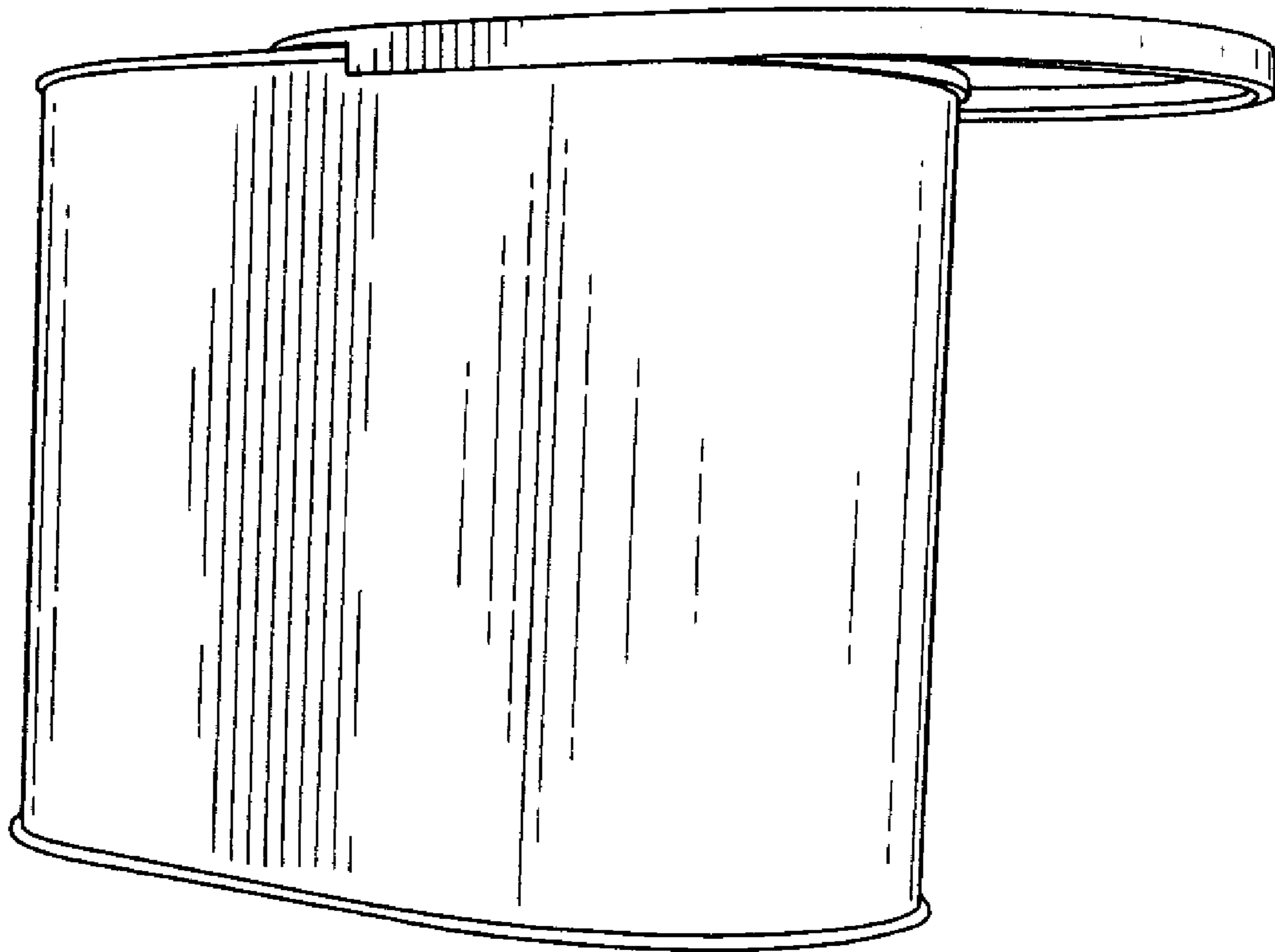
**FIG. 1**



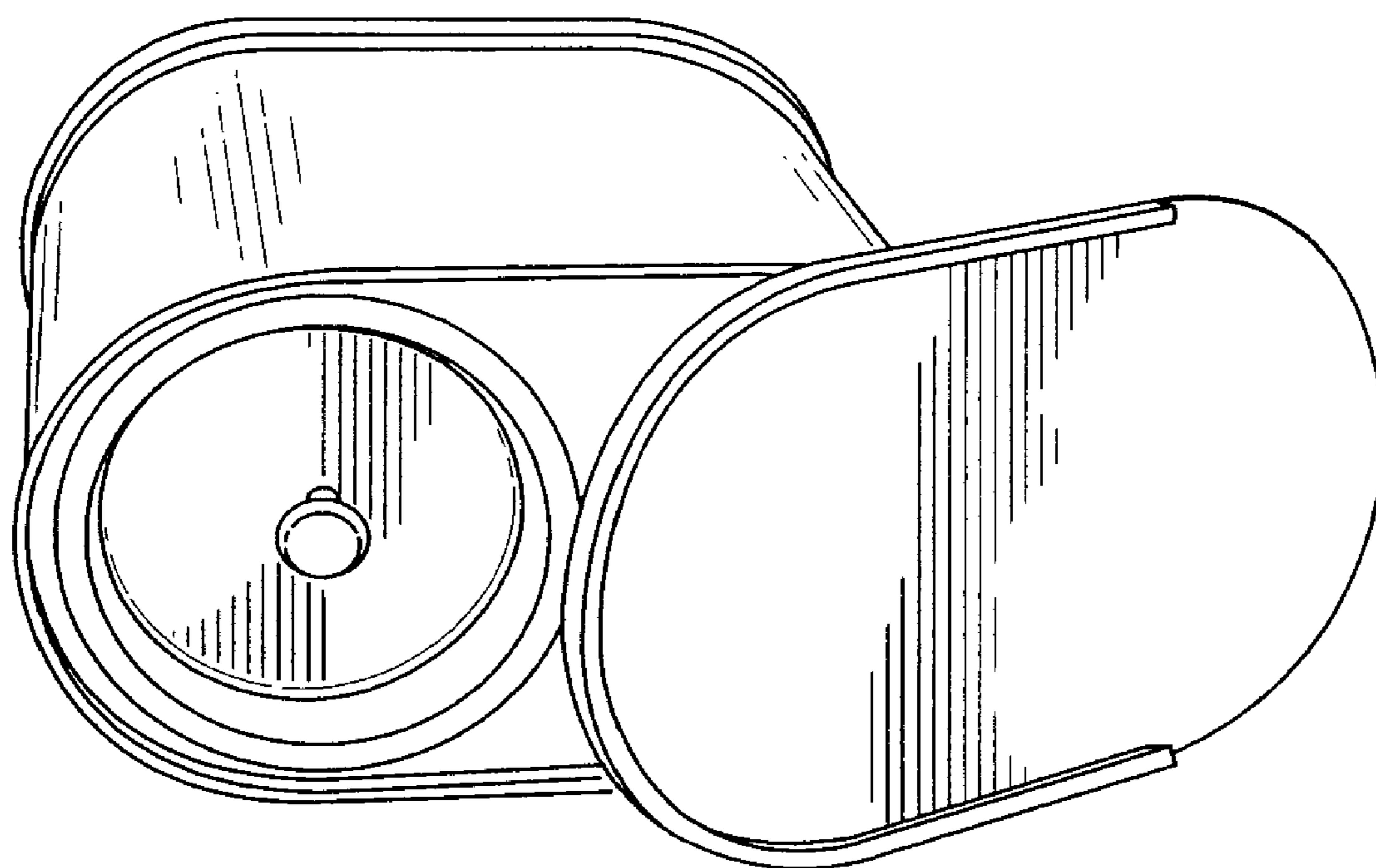
**FIG. 2**



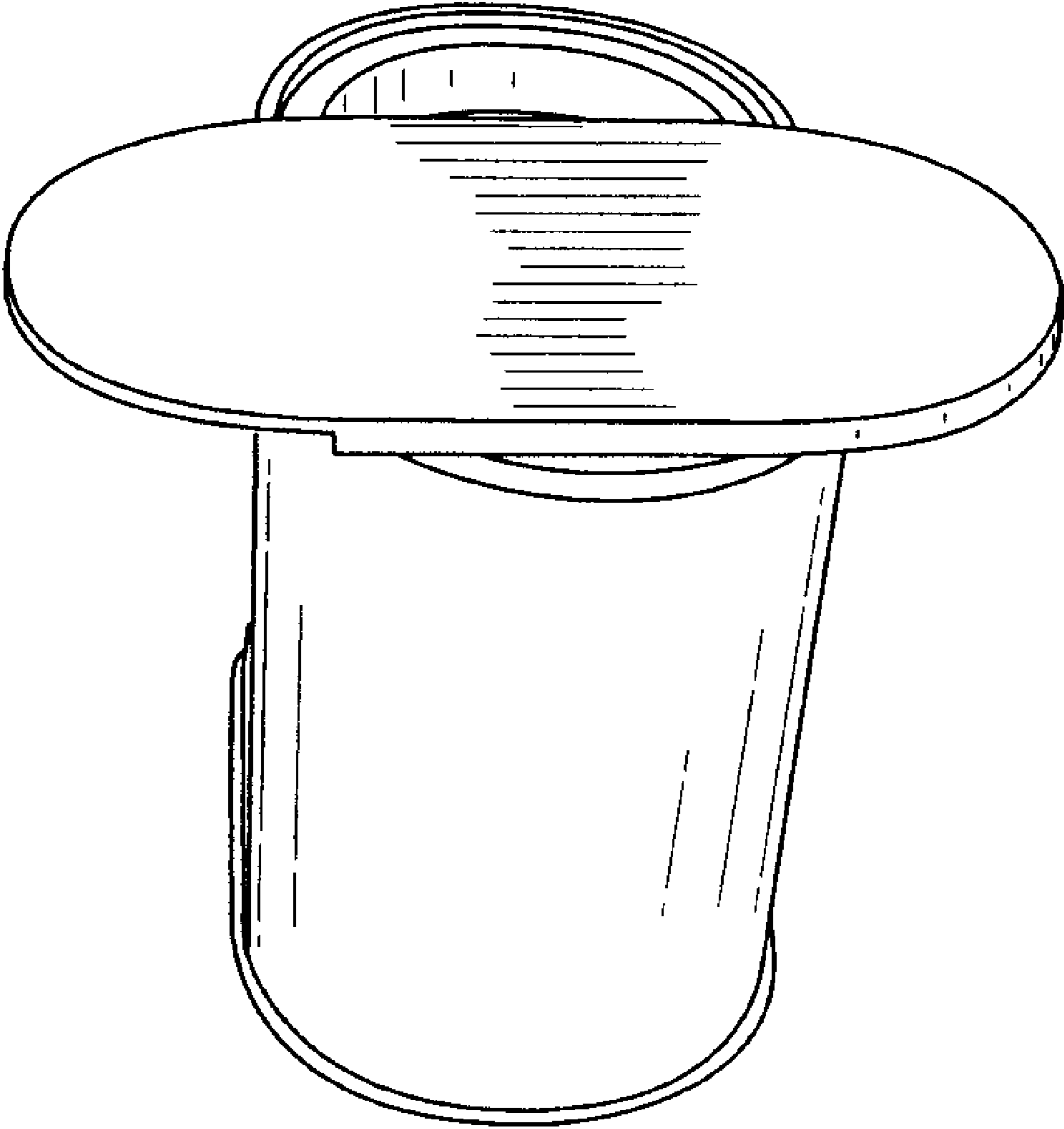
**FIG. 3**



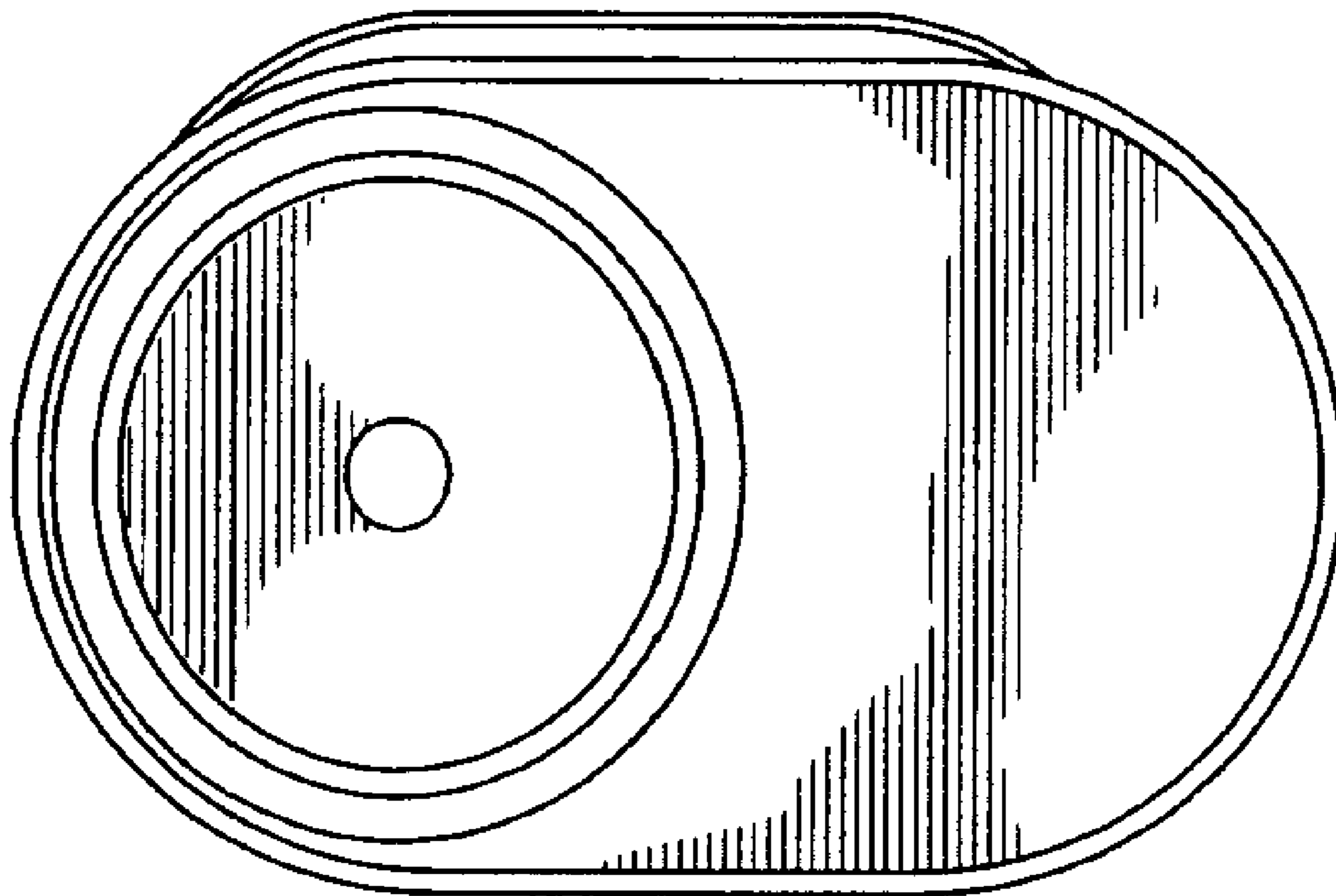
**FIG. 4**



**FIG. 5**



**FIG. 6**



**FIG. 7**