



US00D550509S

(12) **United States Design Patent**  
**Dretzka**

(10) **Patent No.:** **US D550,509 S**

(45) **Date of Patent:** **\*\* Sep. 11, 2007**

(54) **TUMBLER**

(75) **Inventor:** **Philip C. Dretzka**, Mariemont, OH  
(US)

(73) **Assignee:** **InterDesign, Inc.**, Solon, OH (US)

(\*\*) **Term:** **14 Years**

(21) **Appl. No.:** **29/264,461**

(22) **Filed:** **Aug. 10, 2006**

(51) **LOC (8) Cl.** ..... **07-01**

(52) **U.S. Cl.** ..... **D7/523; D7/509**

(58) **Field of Classification Search** ..... D7/396.2,  
D7/500, 509, 510, 523, 524, 526-528, 530-532,  
D7/540, 565, 584, 900; D9/500, 502, 516,  
D9/519, 549, 555, 776, 778; D34/1; 215/10,  
215/387, DIG. 7; 220/495.04, 560, 592.16,  
220/592.17, 703; 226/406; 229/400; 383/110  
See application file for complete search history.

(56) **References Cited**

**U.S. PATENT DOCUMENTS**

D457,782 S *	5/2002	Snell	.....	D7/523
D472,427 S *	4/2003	Dretzka	.....	D7/523
D483,995 S *	12/2003	Otake	.....	D7/523
D484,280 S *	12/2003	Dretzka	.....	D28/73
D488,348 S *	4/2004	Liu	.....	D7/523
D490,582 S *	5/2004	Dretzka	.....	D34/1
D502,365 S	3/2005	Dretzka		

D505,828 S *	6/2005	Snell	.....	D7/523
D506,640 S *	6/2005	Marck et al.	.....	D7/523
D506,641 S *	6/2005	Liu	.....	D7/523
D514,887 S *	2/2006	Liu	.....	D7/510
D531,856 S *	11/2006	Seum et al.	.....	D7/523
D535,151 S *	1/2007	Seum et al.	.....	D7/510
D538,992 S *	3/2007	Snell	.....	D34/1

**OTHER PUBLICATIONS**

2004 InterDesign, Inc. product brochure, p. 18, 20, 24, 28, 29  
w/front & back cover.

\* cited by examiner

*Primary Examiner*—Philip S. Hyder

*Assistant Examiner*—Cynthia Underwood

(74) *Attorney, Agent, or Firm*—D. Peter Hochberg; Sean  
Mellino

(57) **CLAIM**

The ornamental design for a tumbler, as shown and  
described.

**DESCRIPTION**

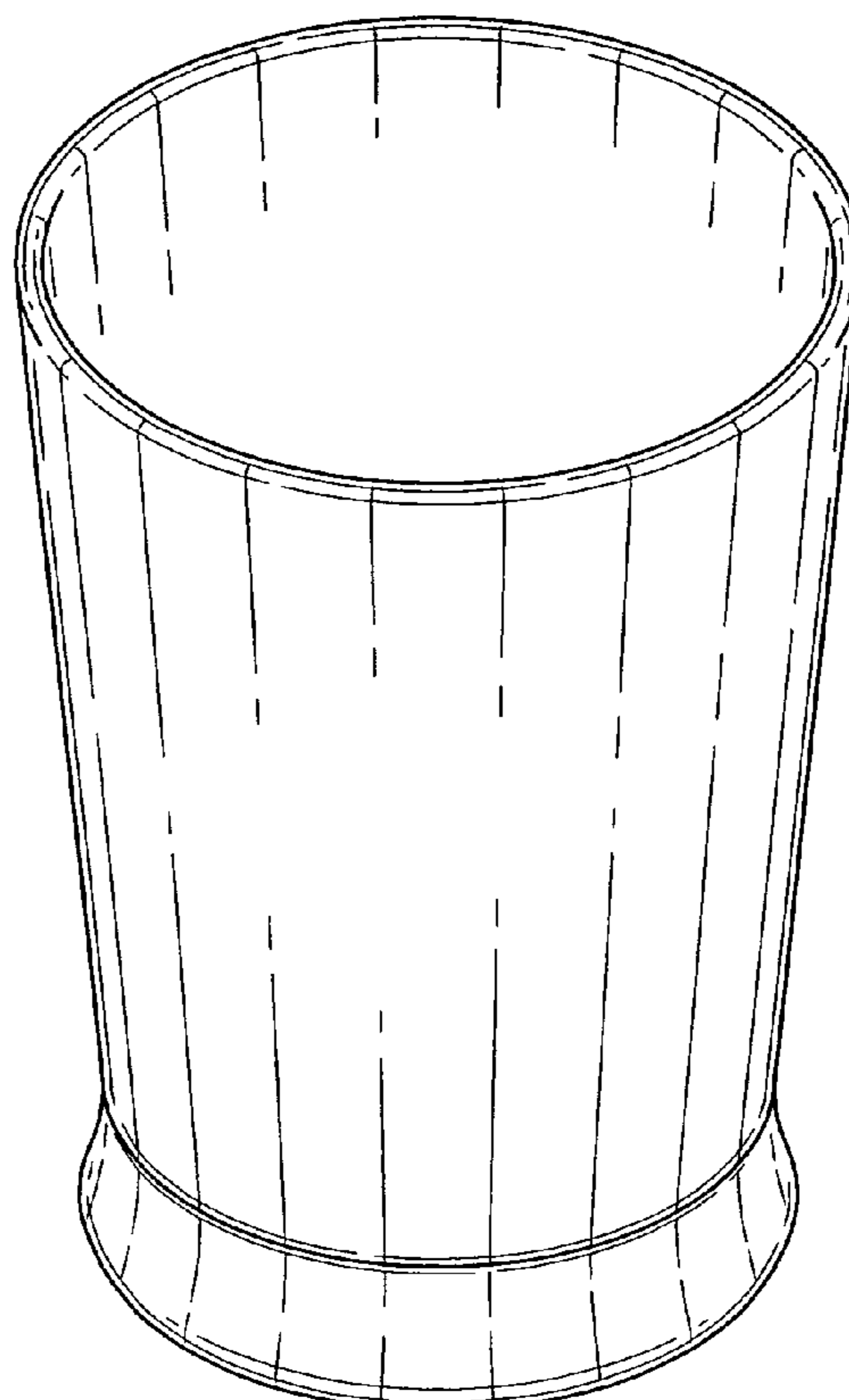
FIG. 1 is a perspective view of the tumbler according to the  
invention;

FIG. 2 is a front view of the tumbler as shown in FIG. 1;

FIG. 3 is a top view of the tumbler as shown in FIG. 1; and,

FIG. 4 is a bottom view of the tumbler as shown in FIG. 1.

**1 Claim, 1 Drawing Sheet**



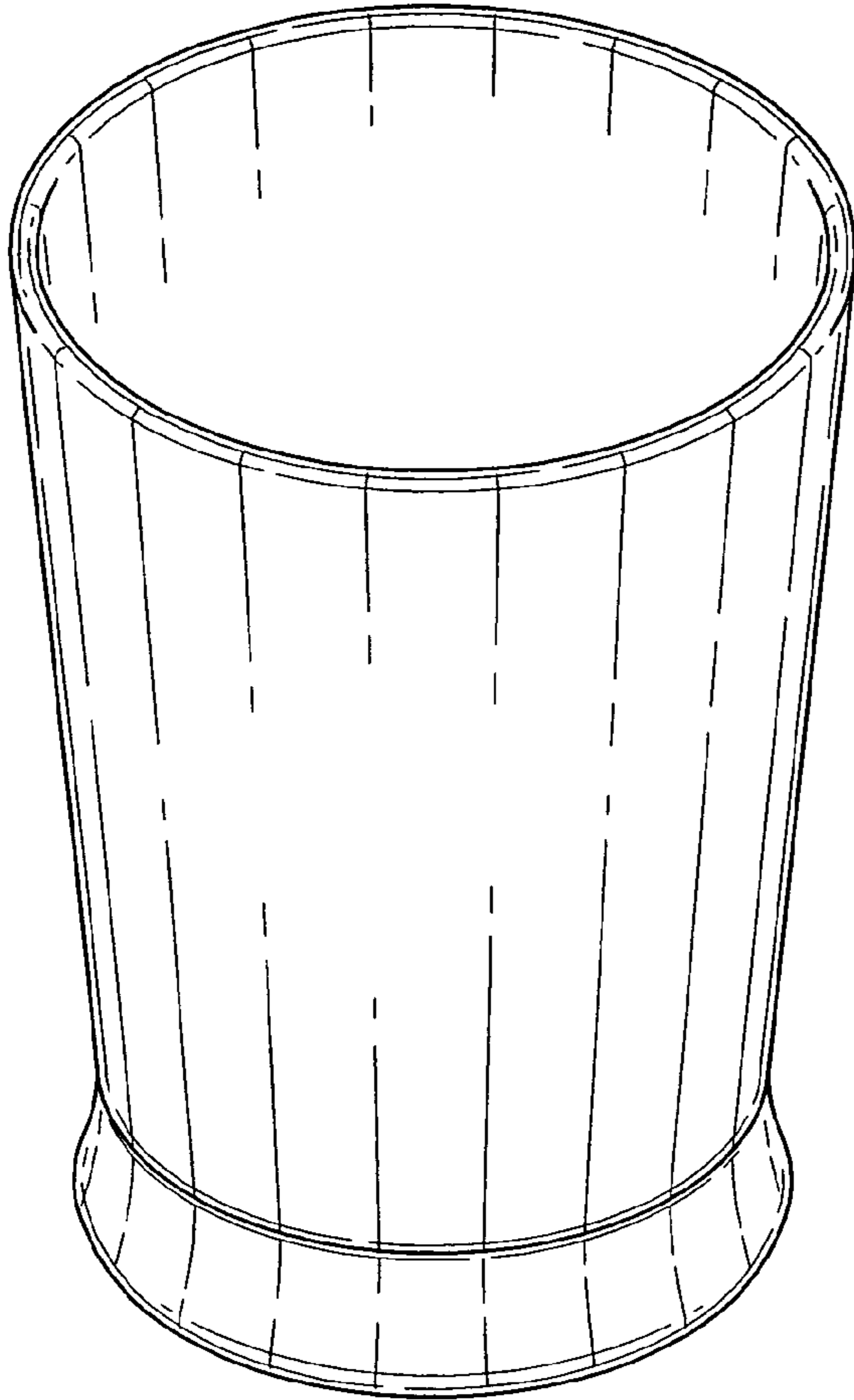


FIG-1

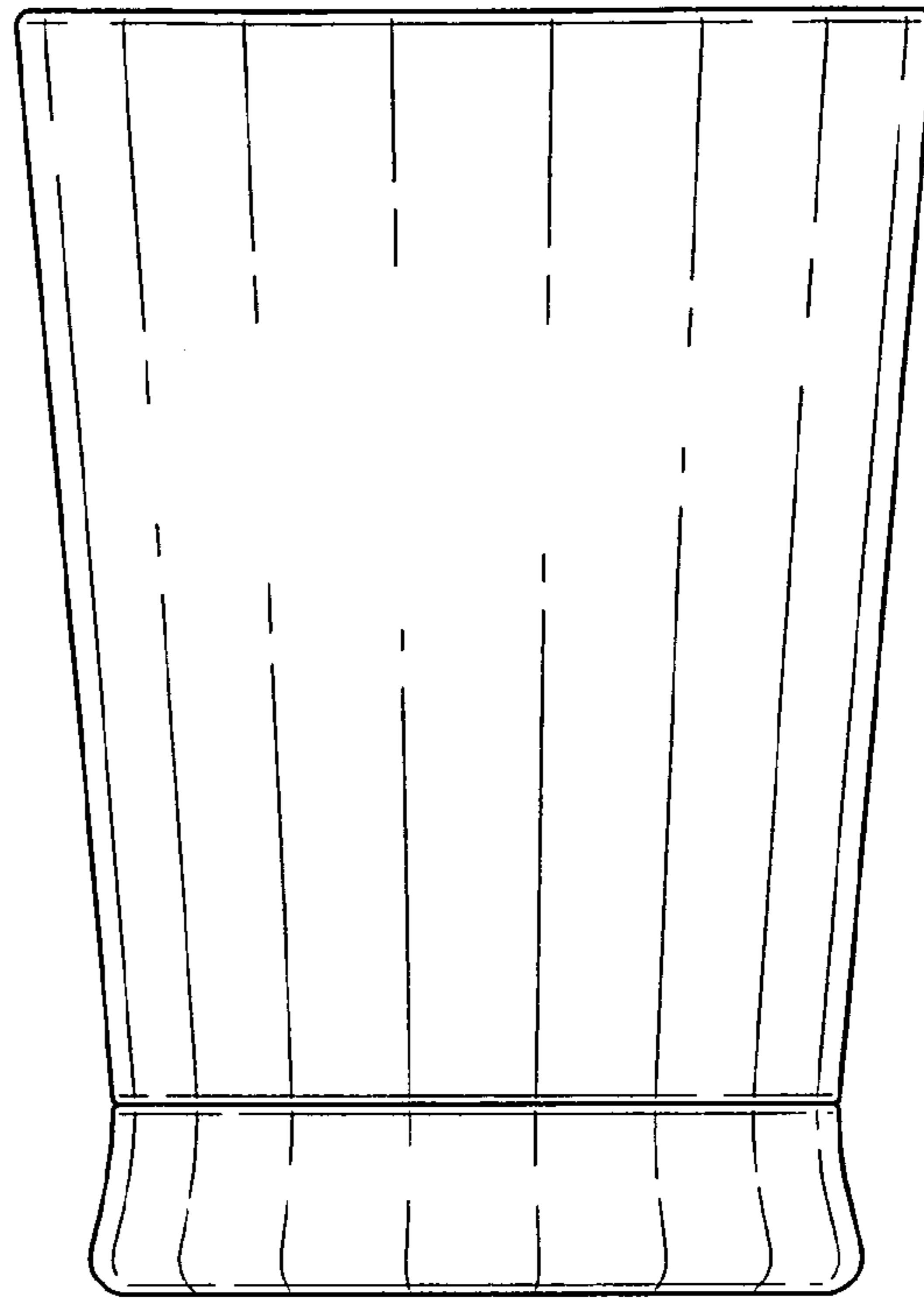


FIG-2

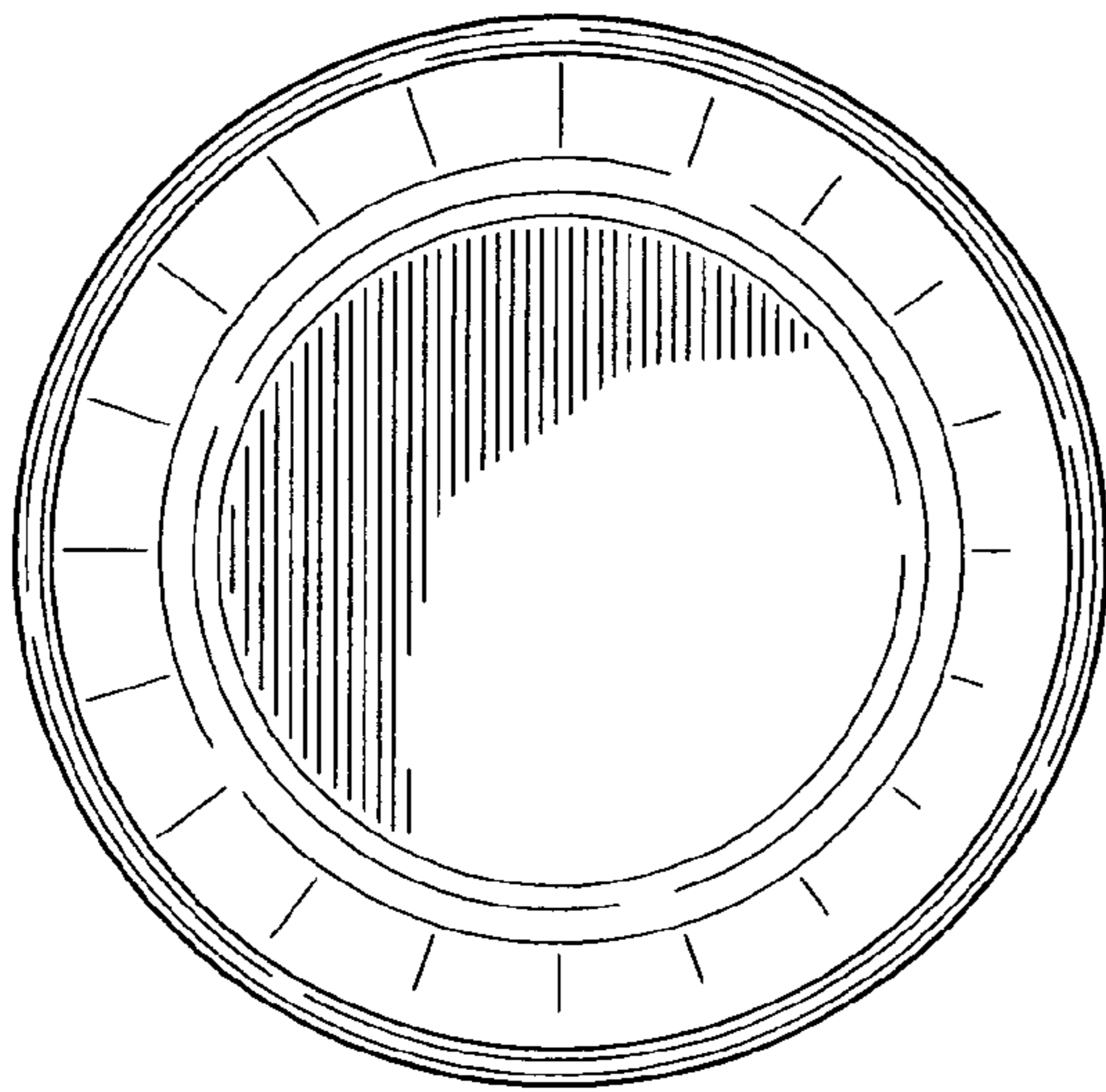


FIG-3

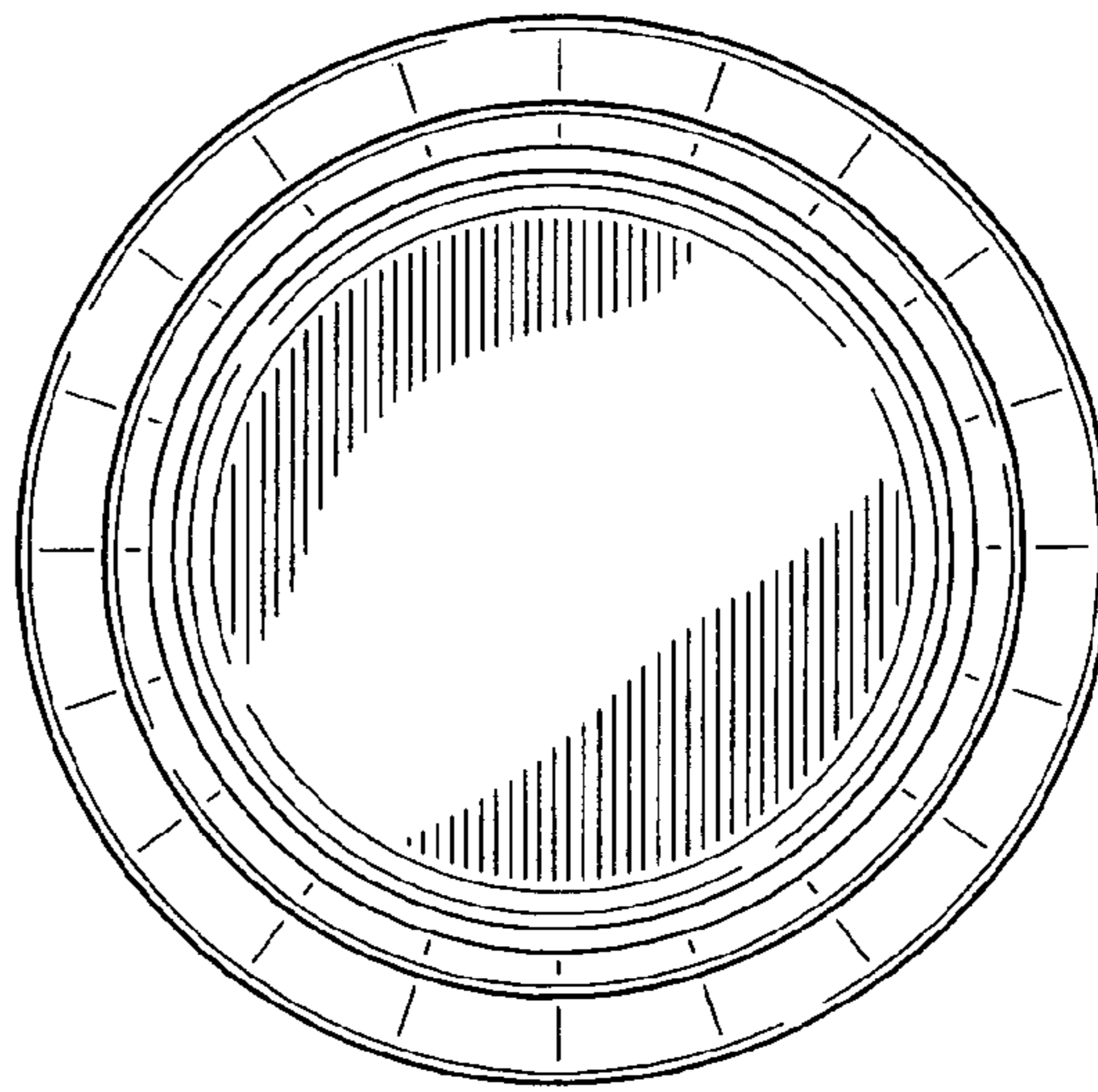


FIG-4