



US00D550508S

(12) **United States Design Patent**
Tien

(10) **Patent No.:** **US D550,508 S**

(45) **Date of Patent:** **** Sep. 11, 2007**

(54) **TUMBLER**

(75) Inventor: **Kuang-Hsia Tien**, Pasadena, CA (US)

(73) Assignee: **Sweda Company, LLC**, Monrovia, CA (US)

(**) Term: **14 Years**

(21) Appl. No.: **29/273,688**

(22) Filed: **Mar. 8, 2007**

| | | | | |
|--------------|---------|------------------|-------|--------|
| D442,030 S * | 5/2001 | Freed | | D7/523 |
| D447,693 S * | 9/2001 | Warner et al. | | D9/776 |
| D460,894 S * | 7/2002 | Ziegenfus et al. | | D7/523 |
| D464,849 S * | 10/2002 | Norris et al. | | D7/523 |
| D471,764 S * | 3/2003 | Janky | | D7/510 |
| D477,183 S * | 7/2003 | Janky | | D7/509 |
| D479,437 S * | 9/2003 | Gluck | | D7/523 |
| D480,267 S * | 10/2003 | Freed et al. | | D7/510 |
| D486,996 S * | 2/2004 | Karp | | D7/510 |
| D494,011 S * | 8/2004 | Janky et al. | | D7/533 |
| D502,844 S * | 3/2005 | Rohe | | D7/510 |
| D535,152 S * | 1/2007 | Gluck | | D7/523 |

* cited by examiner

Related U.S. Application Data

(62) Division of application No. 29/242,069, filed on Nov. 4, 2005, now Pat. No. Des. 544,300.

(51) **LOC (8) Cl.** **07-01**

(52) **U.S. Cl.** **D7/510; D7/511; D7/523**

(58) **Field of Classification Search** D7/392-394, D7/509-511, 523, 531-533, 536, 605, 608, D7/619.1, 622, 624.2; 215/382, 384, 386-388, 215/392, 394, 396, 398, DIG. 7; 220/62.12, 220/592.17, 669, 696, 710, 710.5, 711, 713, 220/715, 719, 739

See application file for complete search history.

(56) **References Cited**

U.S. PATENT DOCUMENTS

| | | | | |
|--------------|---------|--------------------|-------|--------|
| D249,111 S * | 8/1978 | Geyer | | D7/523 |
| D408,221 S * | 4/1999 | Asberg | | D7/511 |
| D425,758 S * | 5/2000 | Freed | | D7/533 |
| D433,599 S * | 11/2000 | Kristiansen et al. | | D7/523 |
| D436,296 S * | 1/2001 | Freed | | D7/523 |

Primary Examiner—T. Chase Nelson

Assistant Examiner—Karen Acker

(74) *Attorney, Agent, or Firm*—Clement Cheng

(57) **CLAIM**

The ornamental design for a tumbler, as shown and described.

DESCRIPTION

FIG. 1 is a front perspective view.

FIG. 2 is a side view.

FIG. 3 is a back view.

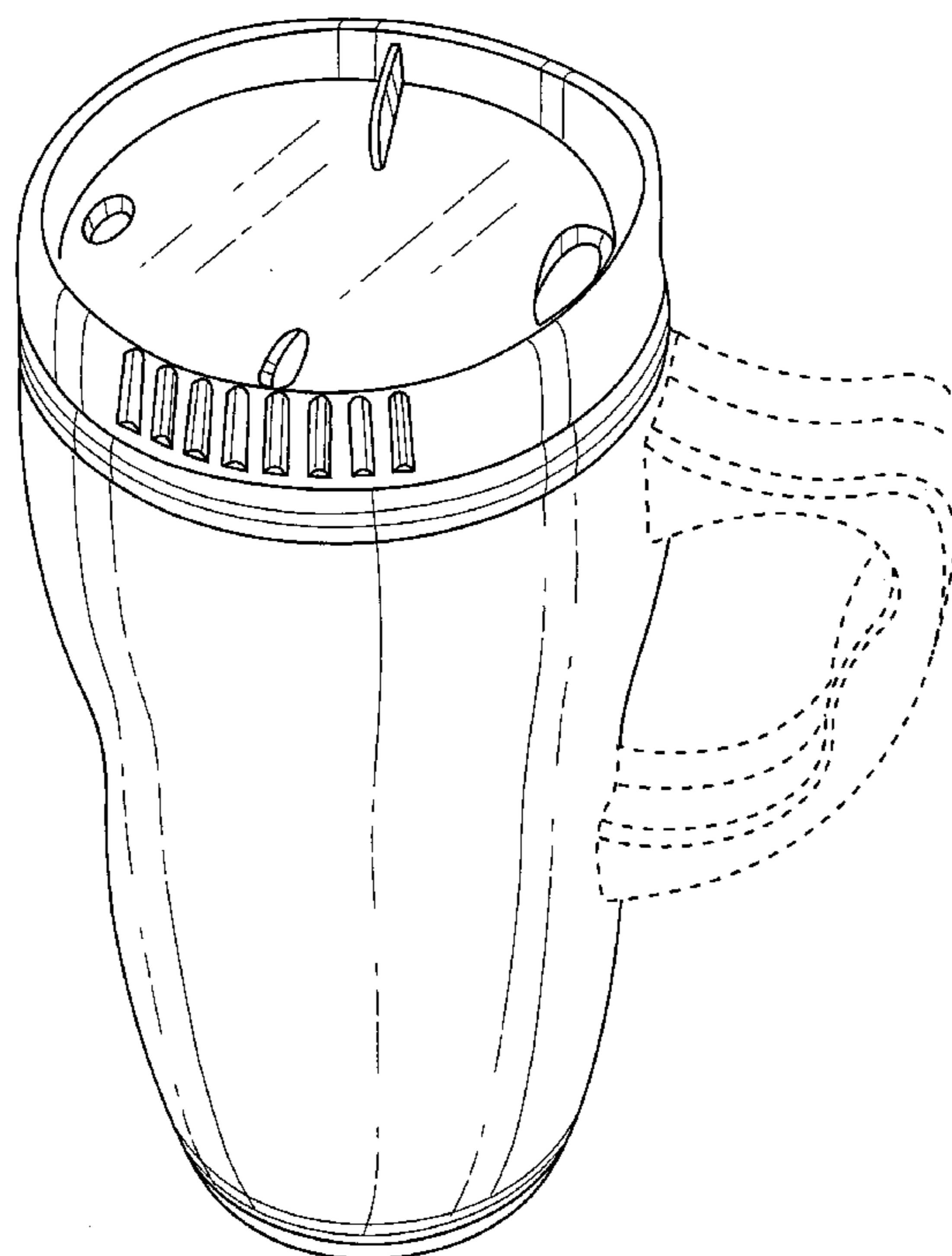
FIG. 4 is a front view.

FIG. 5 is a side view opposite that of FIG. 2.

FIG. 6 is a top view; and,

FIG. 7 is a bottom view.

1 Claim, 7 Drawing Sheets



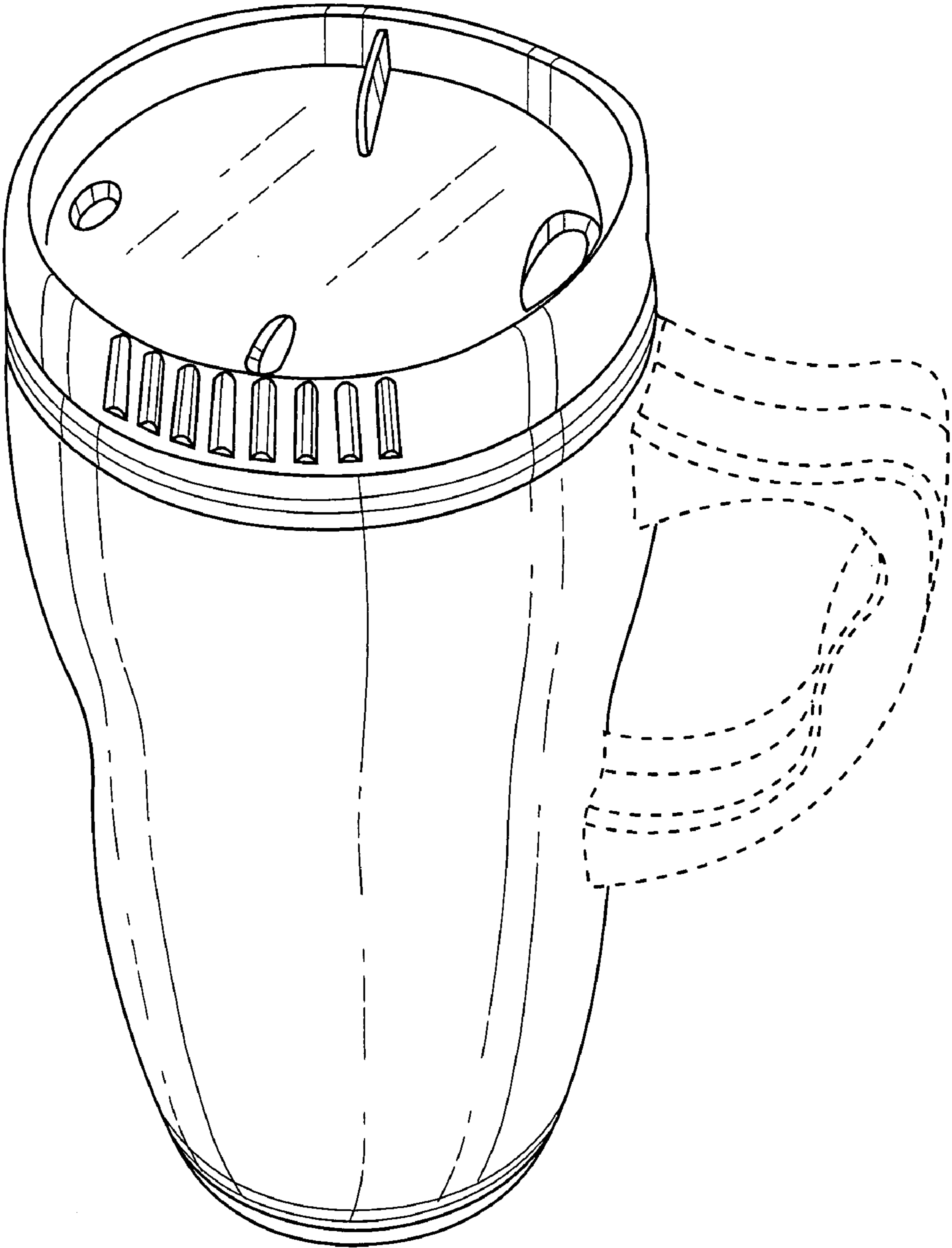


Fig. 1

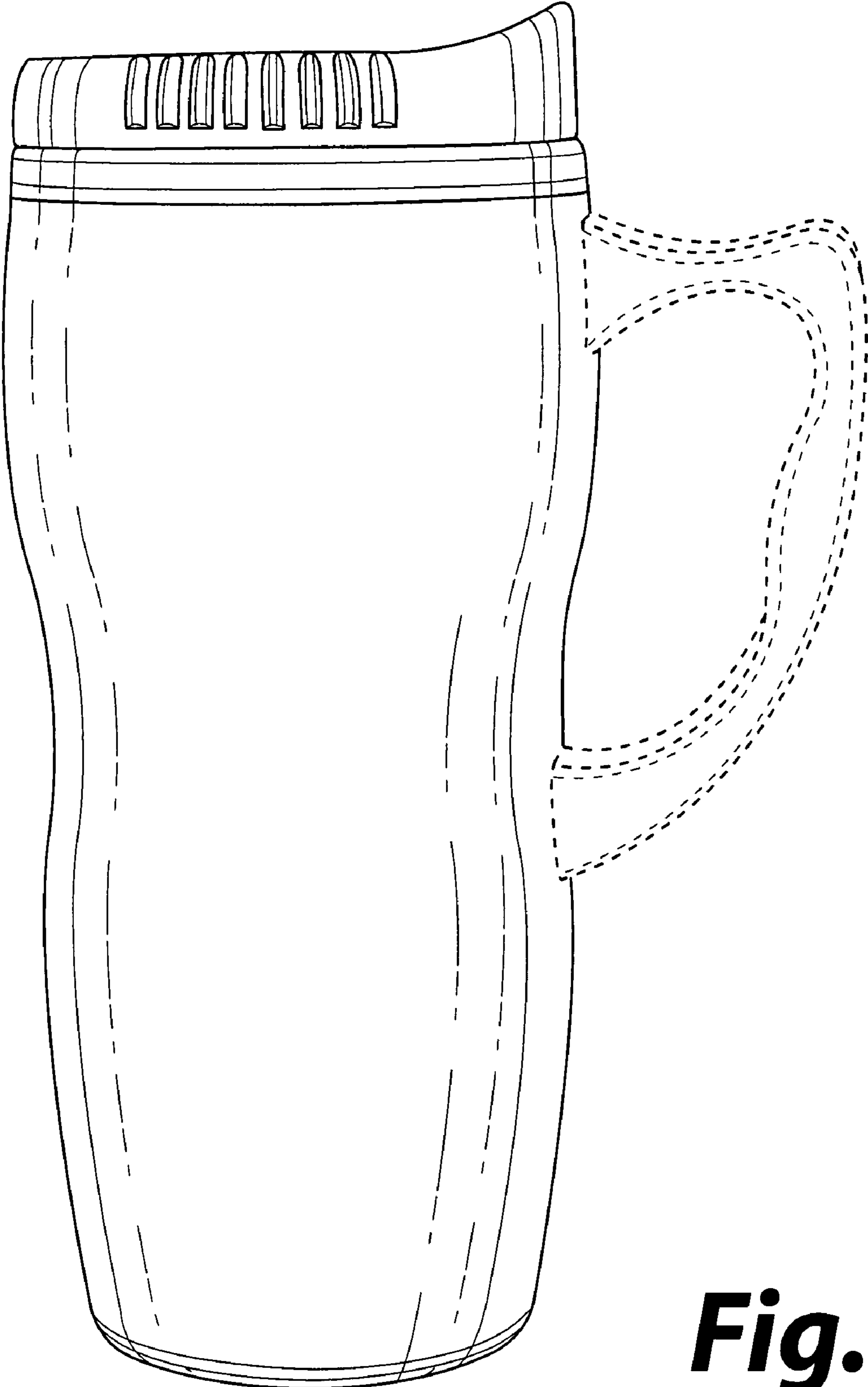


Fig.2

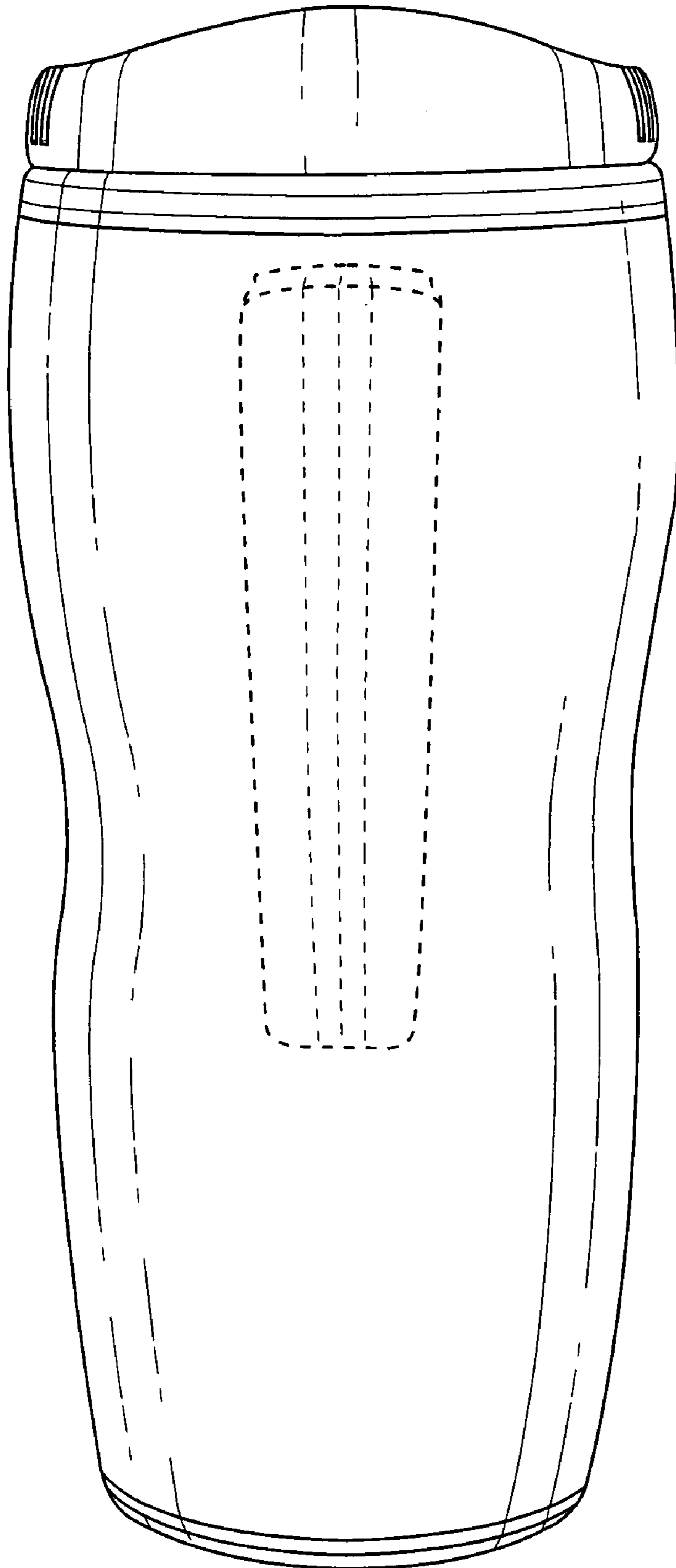


Fig.3

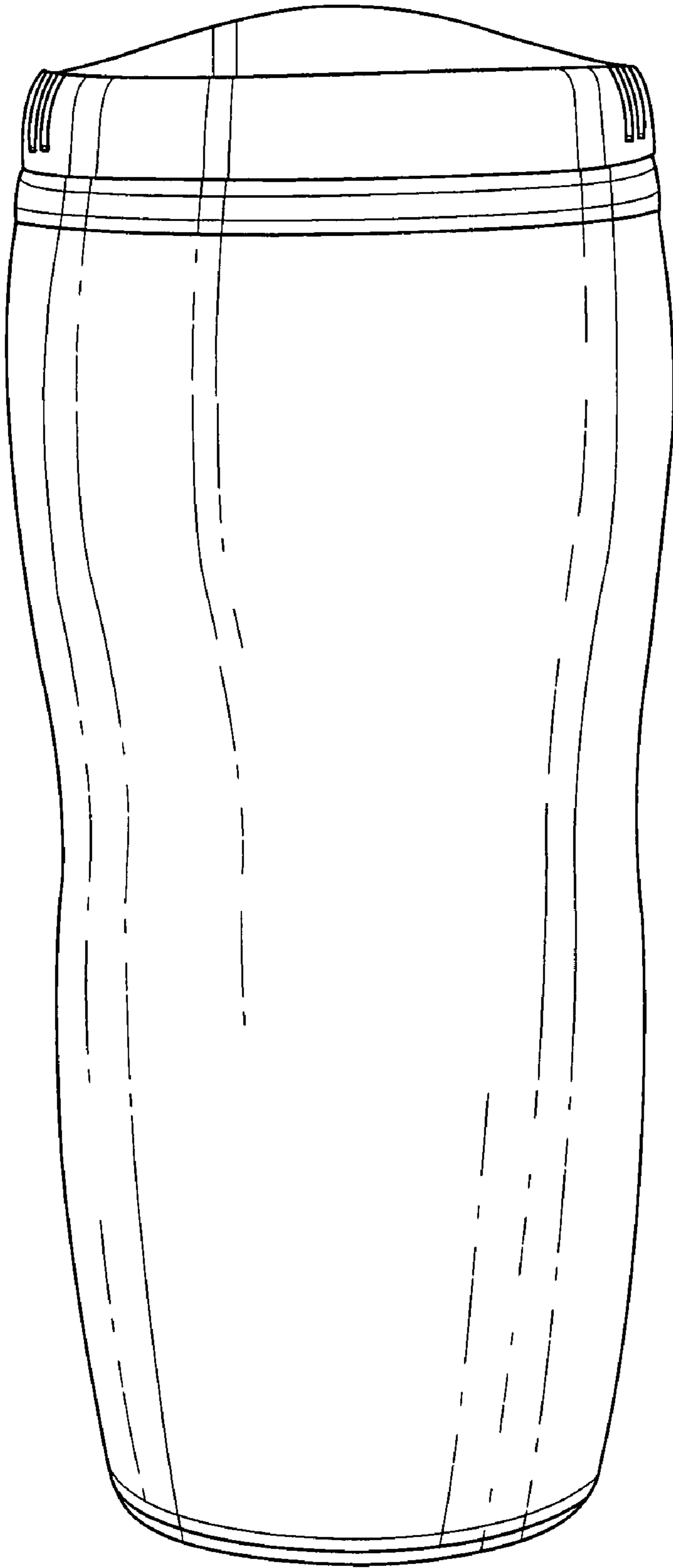


Fig.4

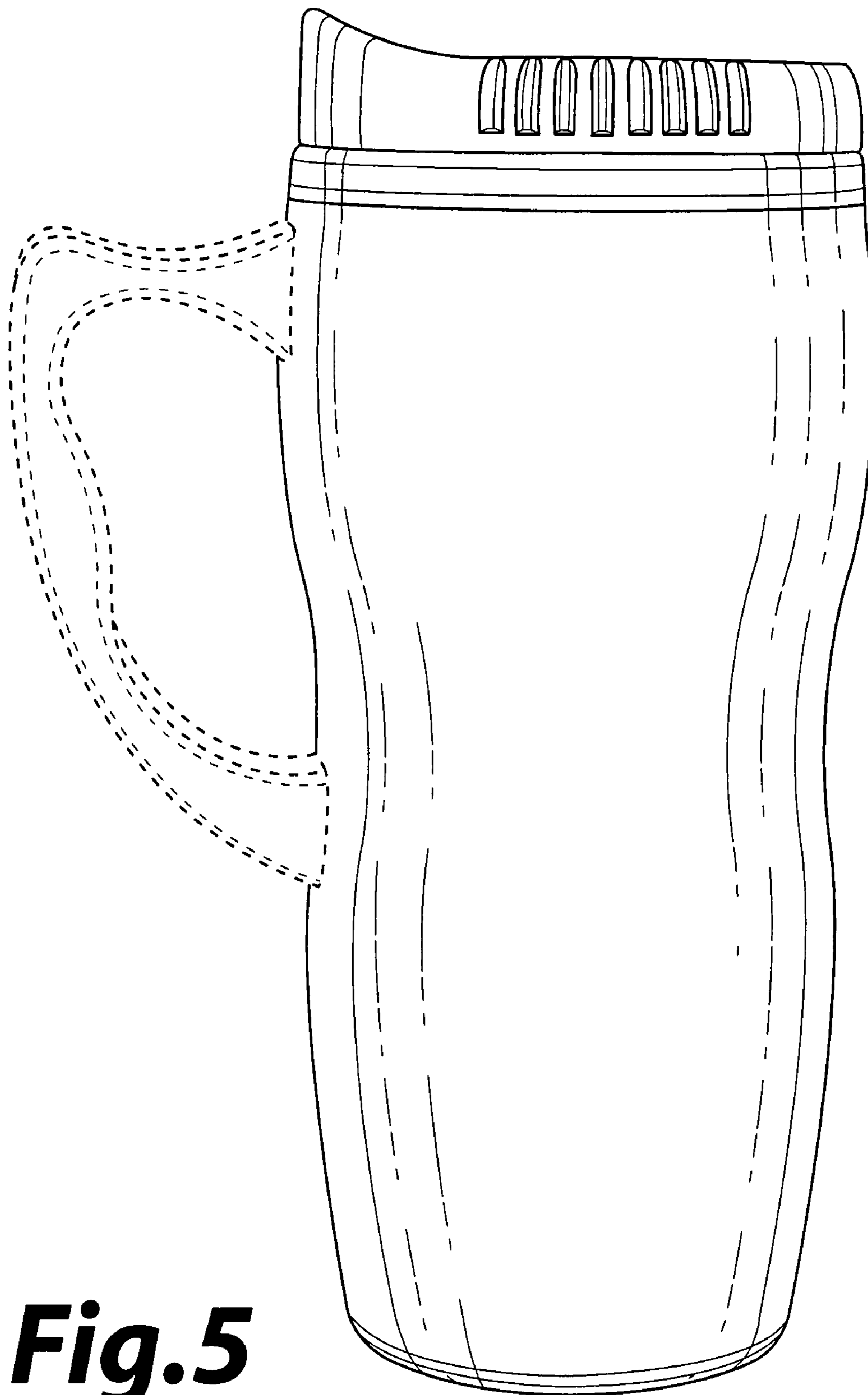


Fig. 5

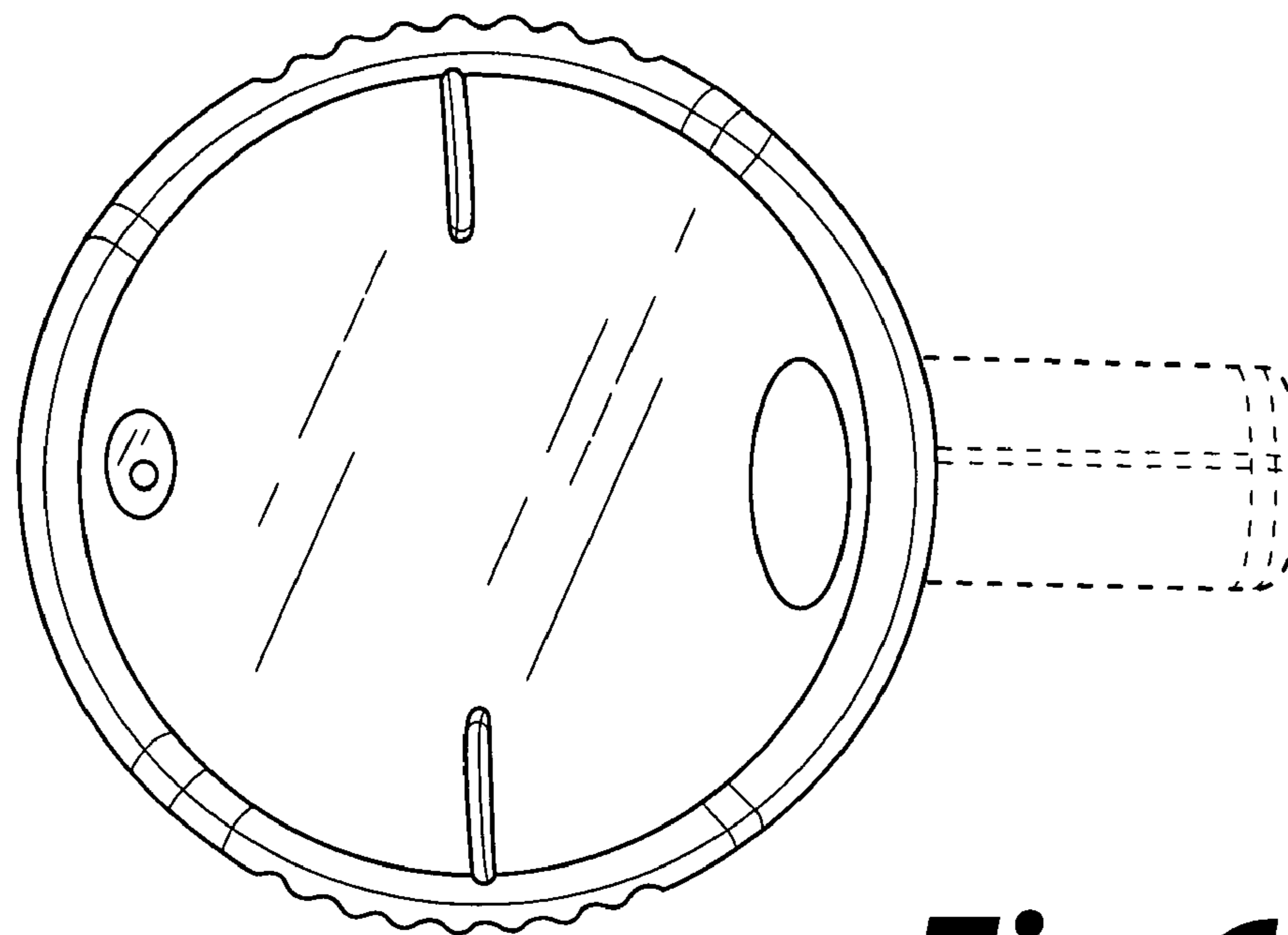


Fig. 6

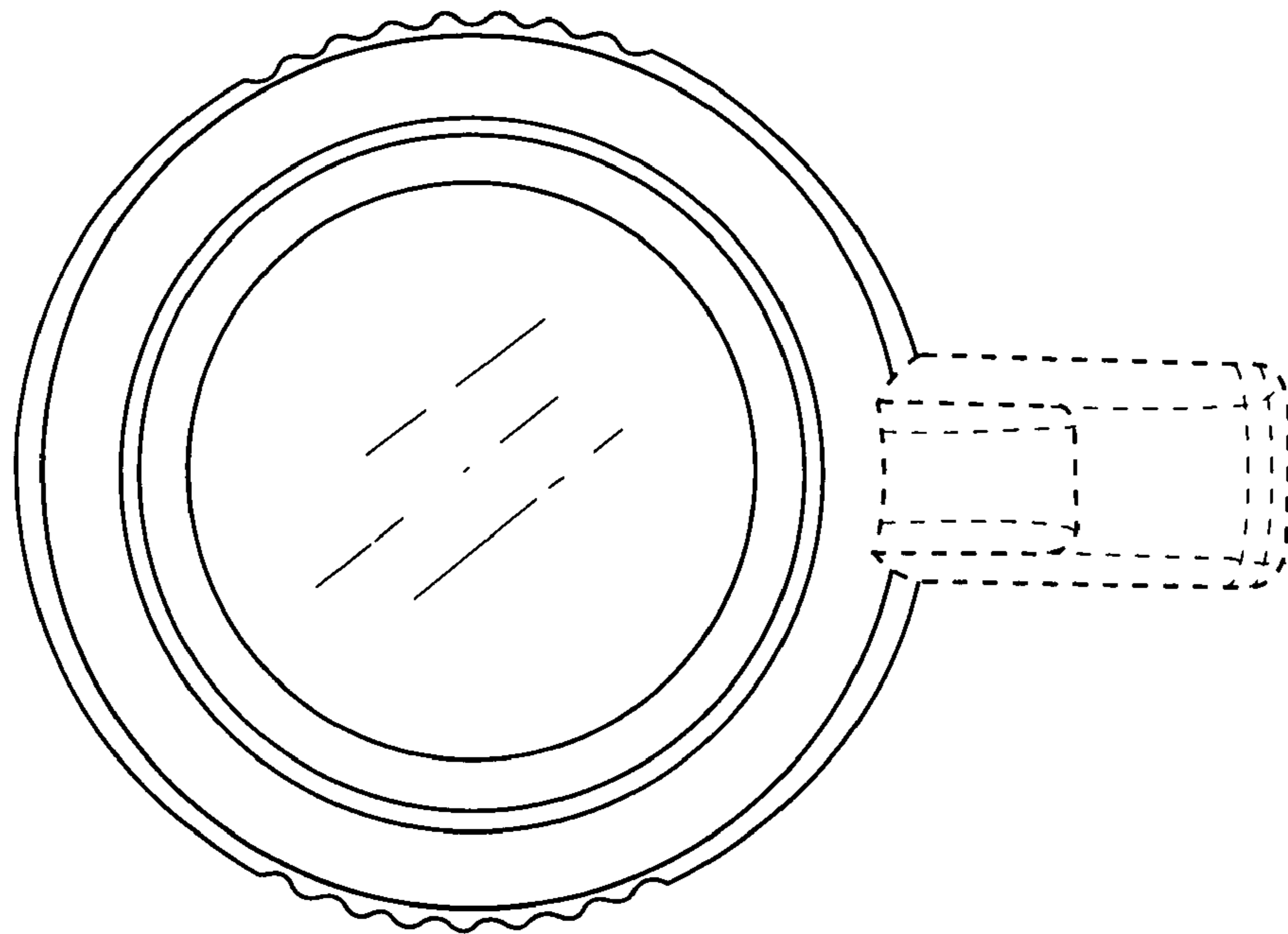


Fig.7