



US00D550503S

(12) **United States Design Patent**
Liu

(10) **Patent No.:** **US D550,503 S**

(45) **Date of Patent:** **** Sep. 11, 2007**

(54) **COVER FOR A FOOD CONTAINER**

D482,928 S 12/2003 Liu

D482,934 S 12/2003 Liu

D483,232 S * 12/2003 Liu D7/629

(75) Inventor: **Anita Suk Ping Liu**, Orlando, FL (US)

(73) Assignee: **Dart Industries Inc.**, Orlando, FL (US)

* cited by examiner

(**) Term: **14 Years**

Primary Examiner—Holly H. Baynham

Assistant Examiner—Cynthia M. Chin

(21) Appl. No.: **29/256,743**

(74) *Attorney, Agent, or Firm*—John A. Doninger

(22) Filed: **Mar. 24, 2006**

(57) **CLAIM**

(51) **LOC (8) Cl.** **07-02**

The ornamental design for a cover for a food container, as shown and described.

(52) **U.S. Cl.** **D7/392.1**

(58) **Field of Classification Search** D7/316-319,
D7/391-392.1, 396.2, 510-511, 538, 540-542,
D7/629; D9/435, 440, 444, 447, 449-450,
D9/454, 503-504; 215/211, 200, 224; 220/700,
220/701, 703, 711, 713-715, 719

See application file for complete search history.

DESCRIPTION

FIG. 1 is a top, right side and front perspective view of a cover for a food container showing the new design;

FIG. 2 is a front elevation view thereof;

FIG. 3 is a rear elevation view thereof;

FIG. 4 is a right side elevation view thereof;

FIG. 5 is a left side elevation view thereof;

FIG. 6 is a top plan view thereof; and,

FIG. 7 is a bottom plan view thereof.

(56) **References Cited**

U.S. PATENT DOCUMENTS

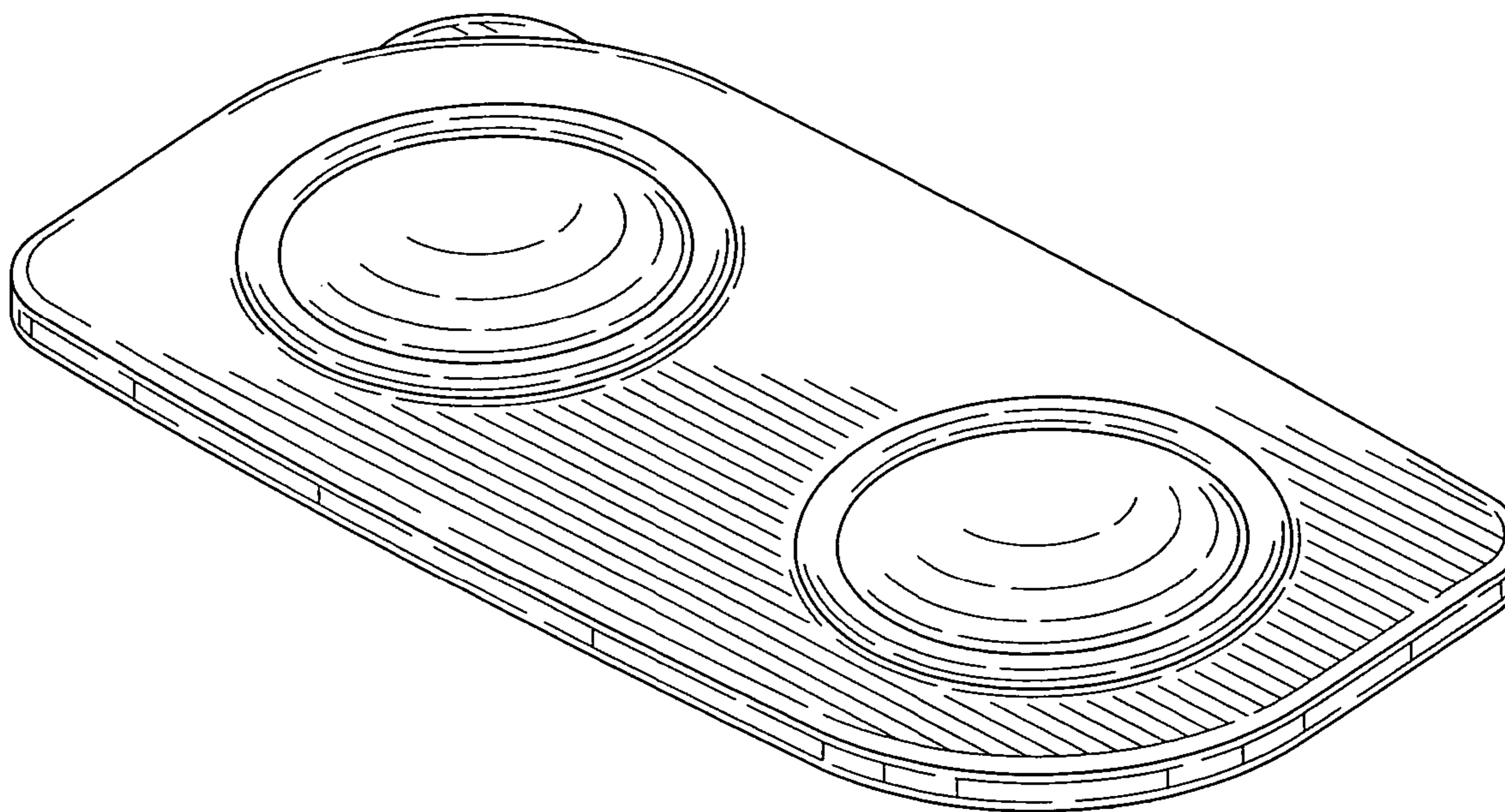
D351,087 S * 10/1994 Anderson D7/541

D358,767 S * 5/1995 Berggren D9/435

D376,952 S * 12/1996 Rausch D7/392.1

D448,969 S * 10/2001 Conti D7/392.1

1 Claim, 3 Drawing Sheets



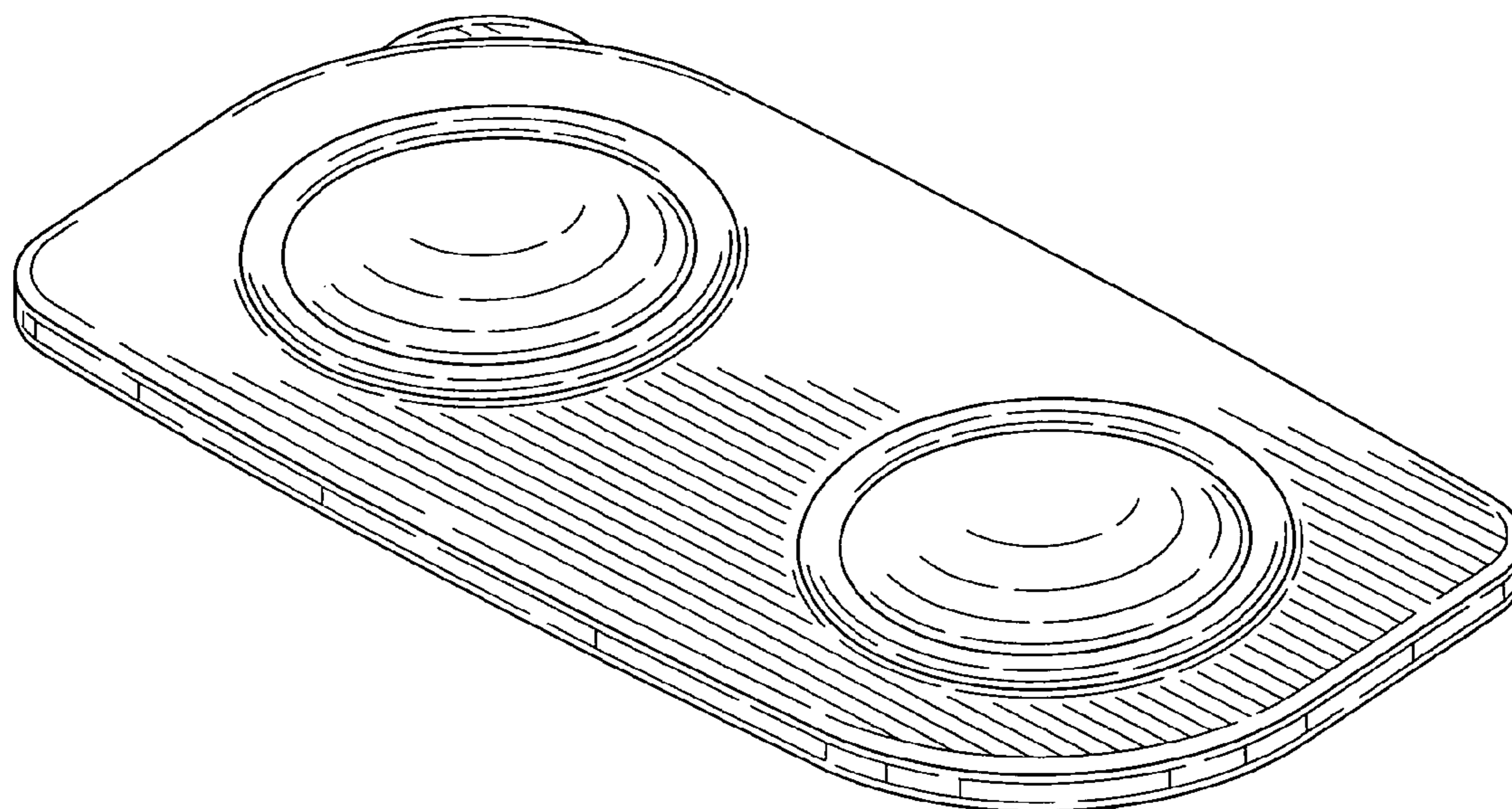


FIG. 1

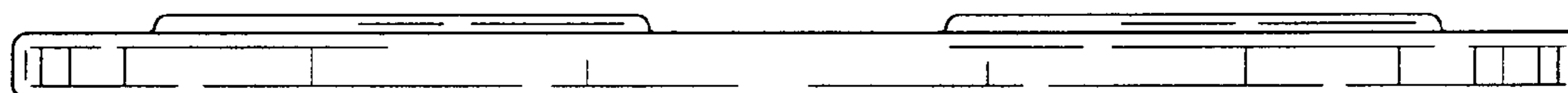


FIG. 2

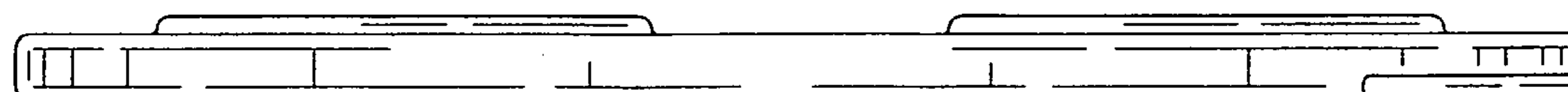


FIG. 3

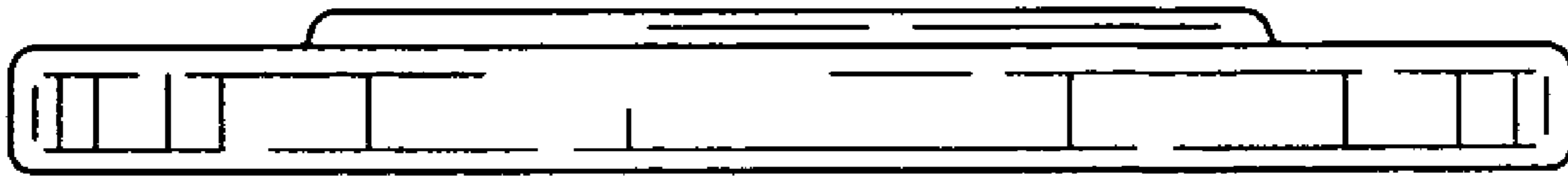


FIG. 4

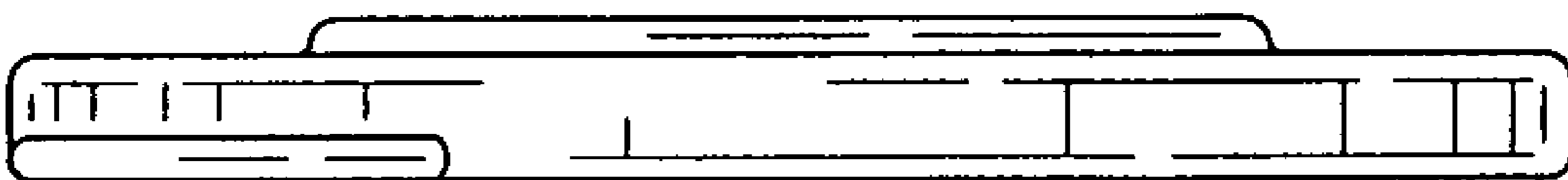


FIG. 5

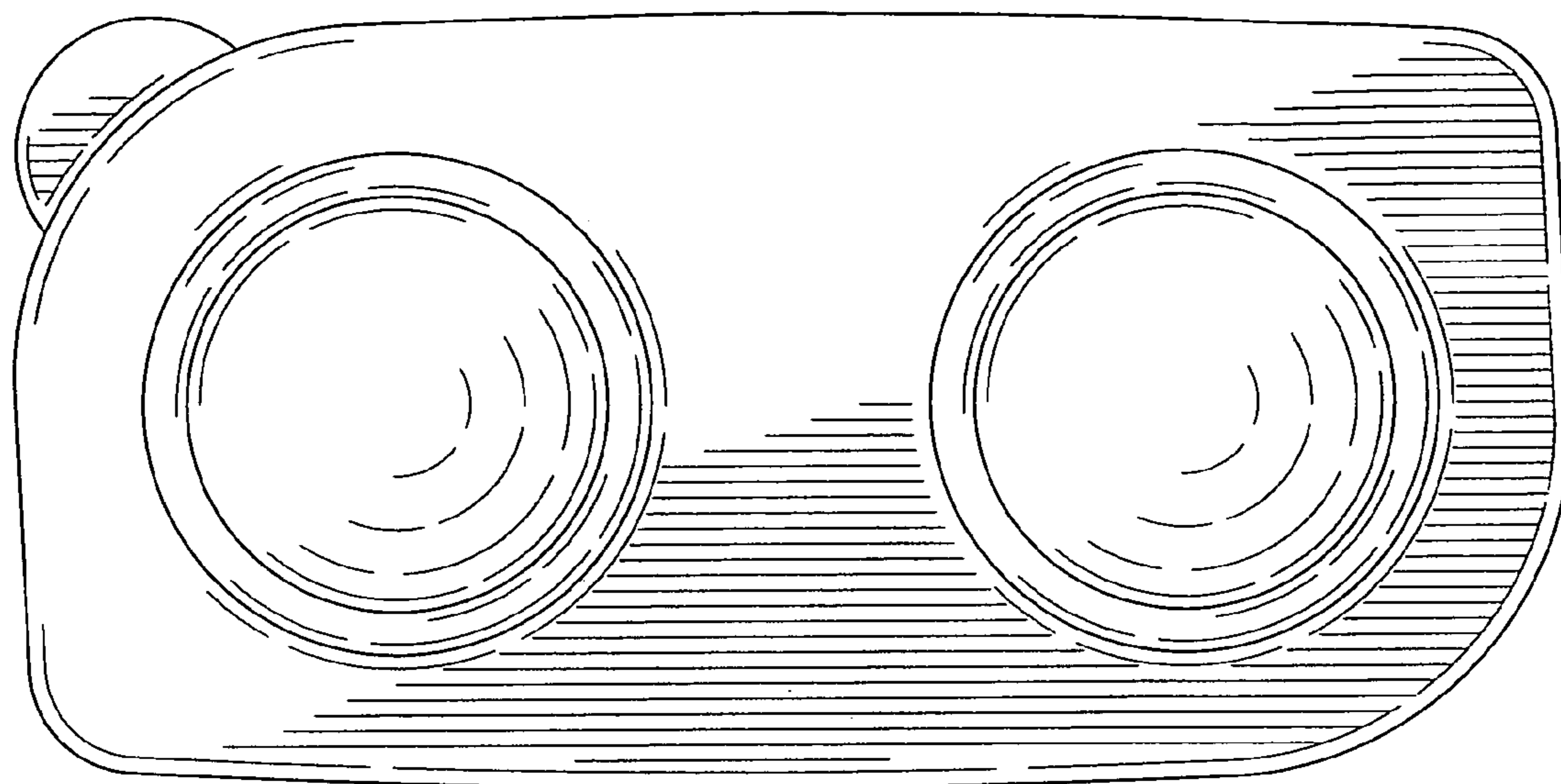


FIG. 6

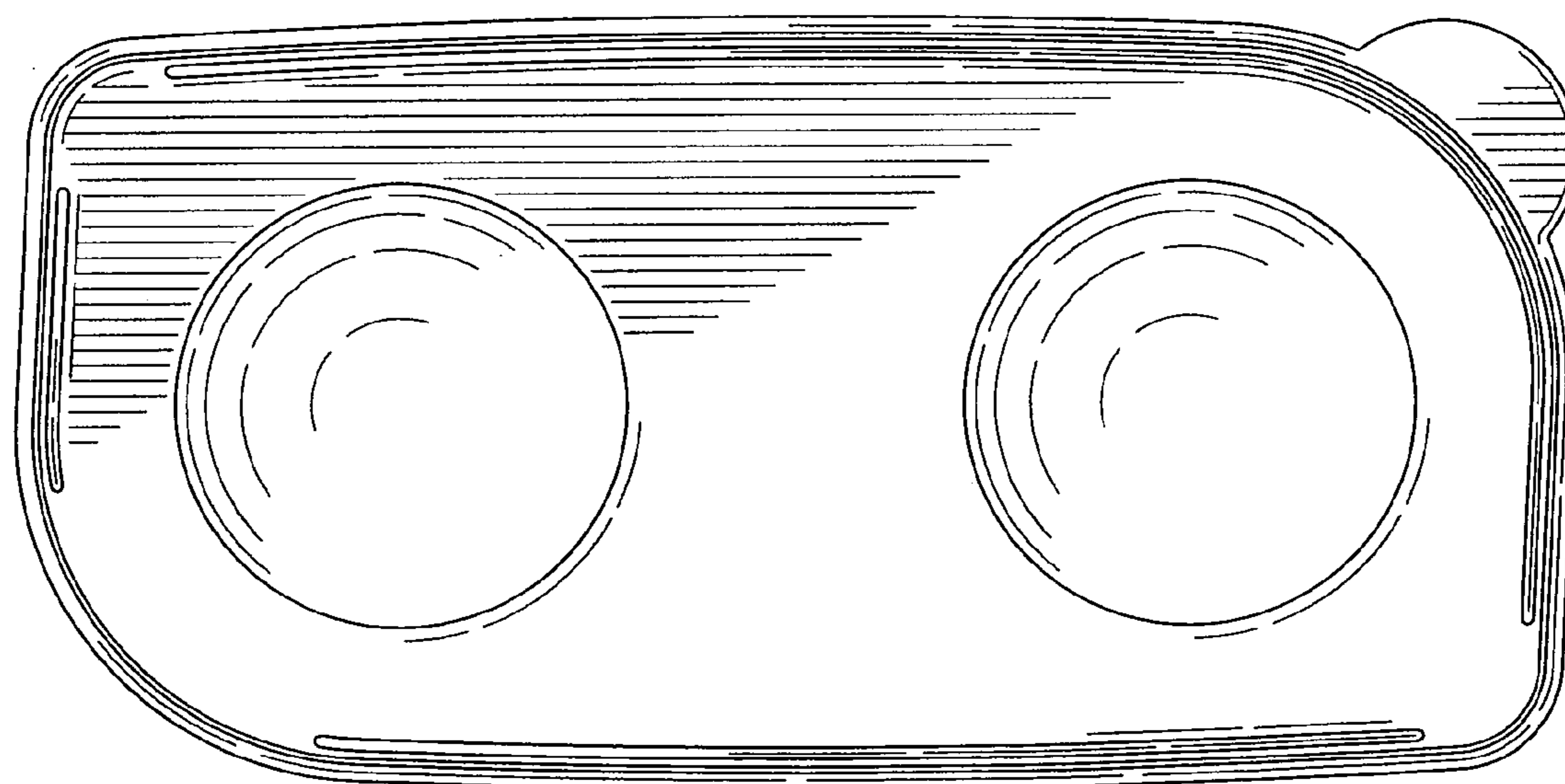


FIG. 7