



US00D550502S

(12) **United States Design Patent**  
**Jeon**

(10) **Patent No.:** **US D550,502 S**

(45) **Date of Patent:** **\*\* Sep. 11, 2007**

(54) **OVEN**

D530,561 S \* 10/2006 Kim ..... D7/351

(75) Inventor: **Sei Ill Jeon**, Kyunggi-do (KR)

\* cited by examiner

(73) Assignee: **Samsung Electronics Co., Ltd.**, Suwon (KR)

*Primary Examiner*—Ruth McInroy

(74) *Attorney, Agent, or Firm*—Ladas and Parry LLP

(\*\*) Term: **14 Years**

(57) **CLAIM**

(21) Appl. No.: **29/265,933**

I claim the ornamental design for oven, as shown and described.

(22) Filed: **Sep. 12, 2006**

**DESCRIPTION**

(51) **LOC (8) Cl.** ..... **07-02**

(52) **U.S. Cl.** ..... **D7/350.1**

(58) **Field of Classification Search** ..... D7/350.1,  
D7/350.3, 350.4, 351, 402–403, 405–406;  
126/19 M, 275 E, 273 A; 219/756–758,  
219/391, 402, 393; 99/DIG. 14

See application file for complete search history.

FIG. 1 is a perspective view as seen from the top, front, and right side of an oven showing my new design;

FIG. 2 is a front elevational view thereof;

FIG. 3 is a rear elevational view thereof;

FIG. 4 is a right side elevational view thereof;

FIG. 5 is a left side elevational view thereof;

FIG. 6 is a top plan view thereof; and,

FIG. 7 is a bottom plan view thereof.

(56) **References Cited**

**U.S. PATENT DOCUMENTS**

- D248,008 S \* 5/1978 Wojtowicz et al. .... D7/351
- D329,569 S \* 9/1992 Ichihara et al. .... D7/351
- D330,144 S \* 10/1992 Takebata et al. .... D7/351
- D468,579 S \* 1/2003 Sakai et al. .... D7/351
- D525,477 S \* 7/2006 Kim ..... D7/351
- D527,572 S \* 9/2006 Lee et al. .... D7/350.1

The broken lines are for illustrative purposes only and form no part of the claimed design. The stippling on the face of the oven is intended to represent different coloration from that of the rest of the oven.

**1 Claim, 4 Drawing Sheets**

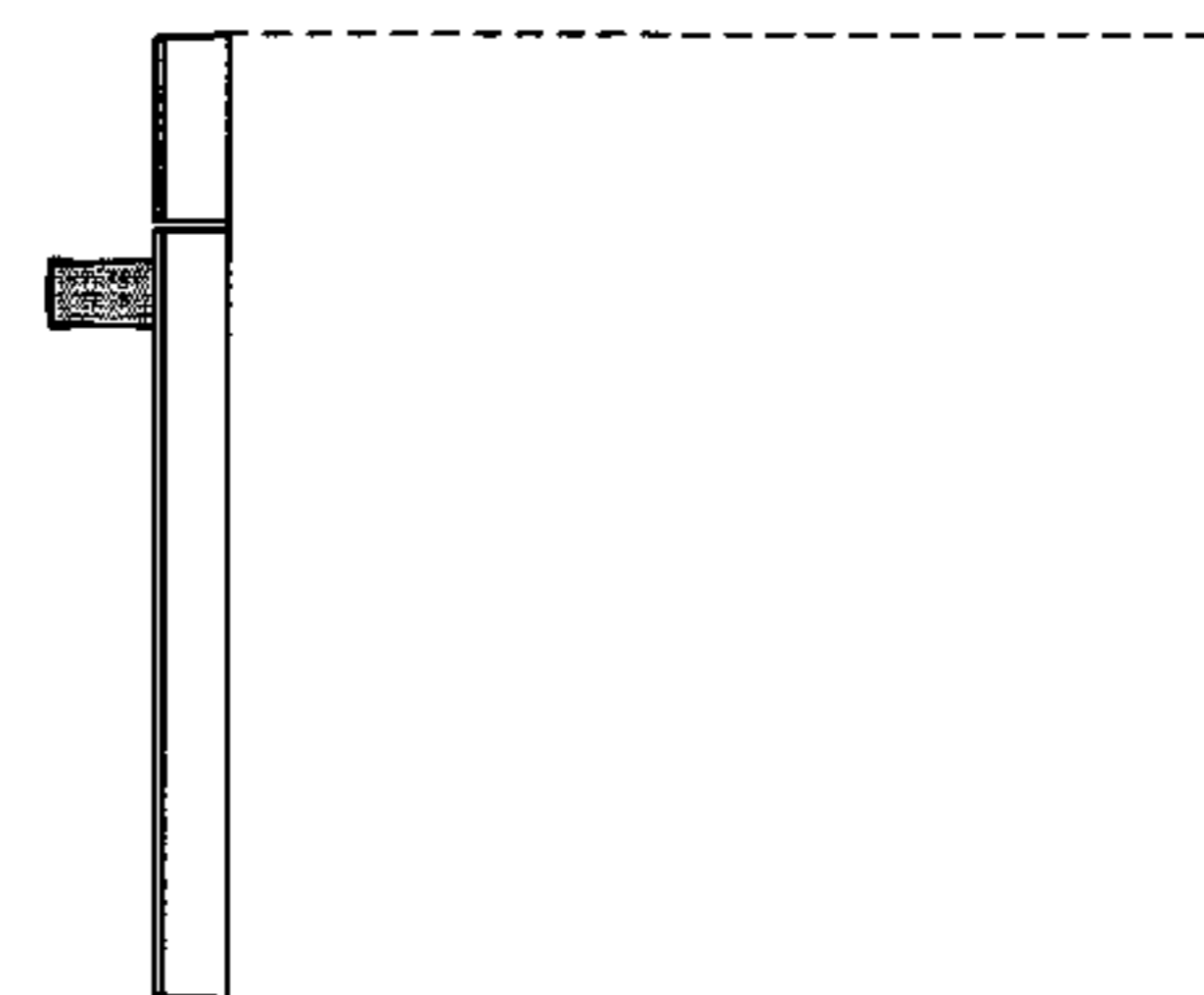
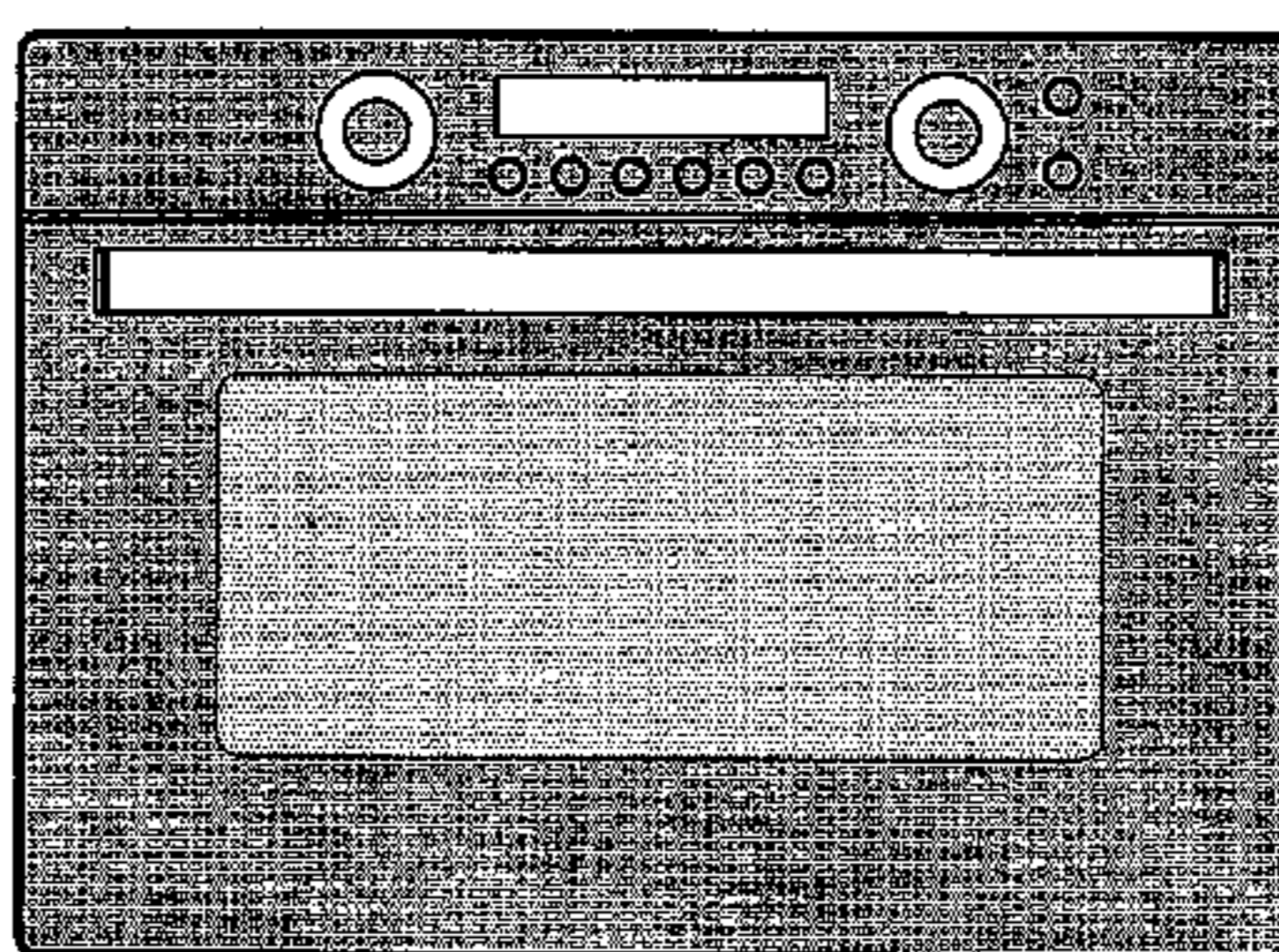
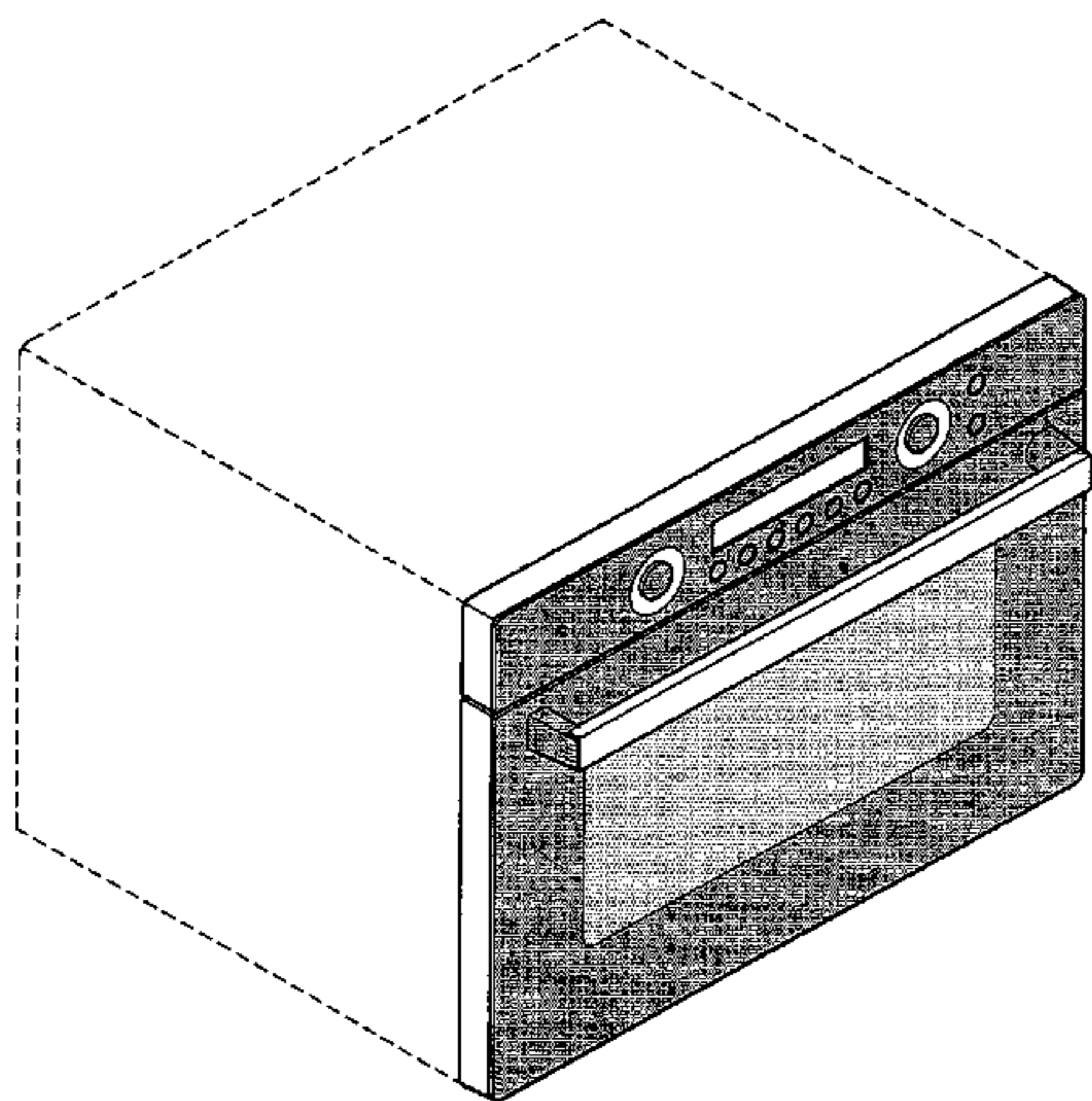


FIG. 1

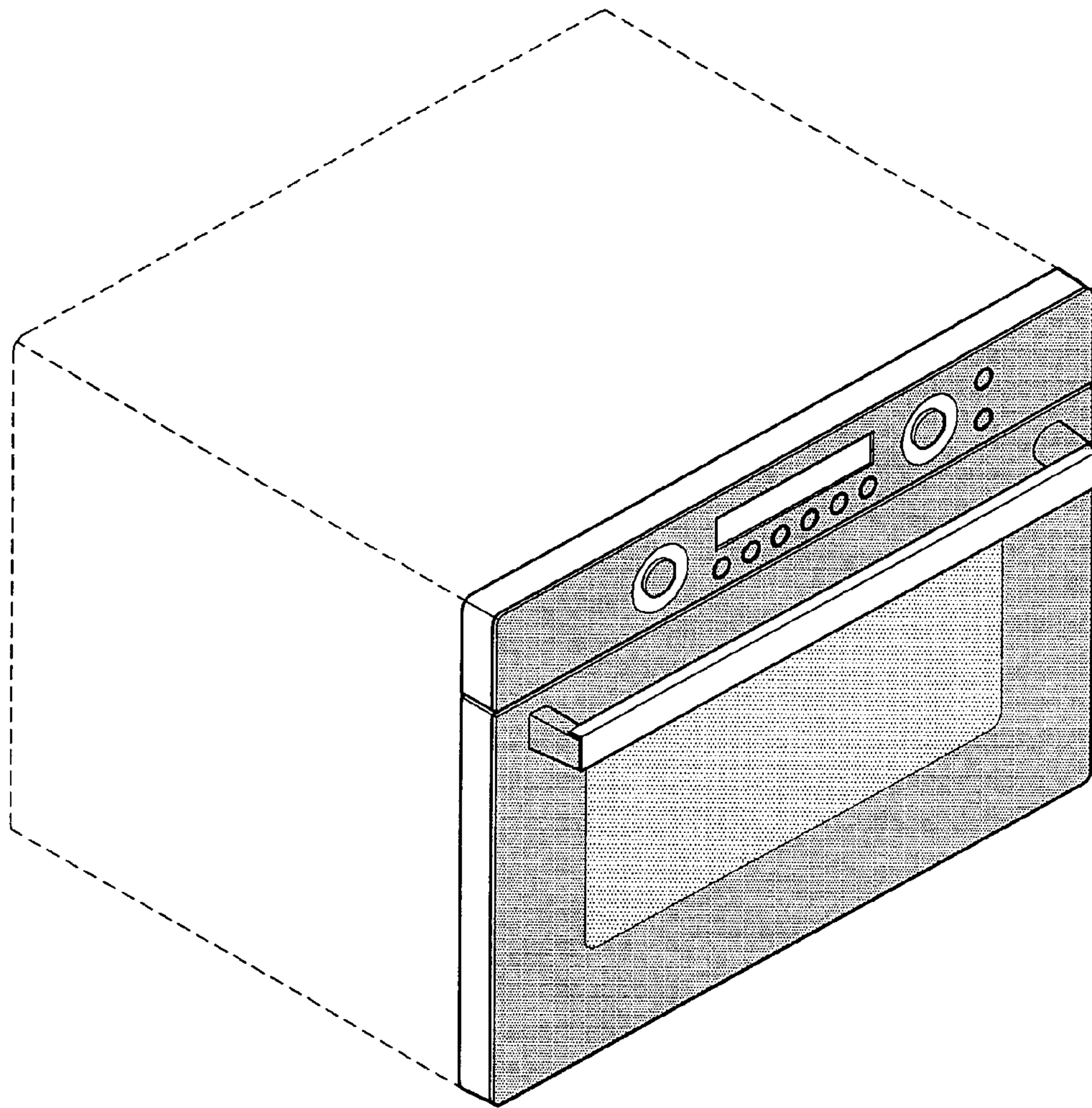


FIG. 2

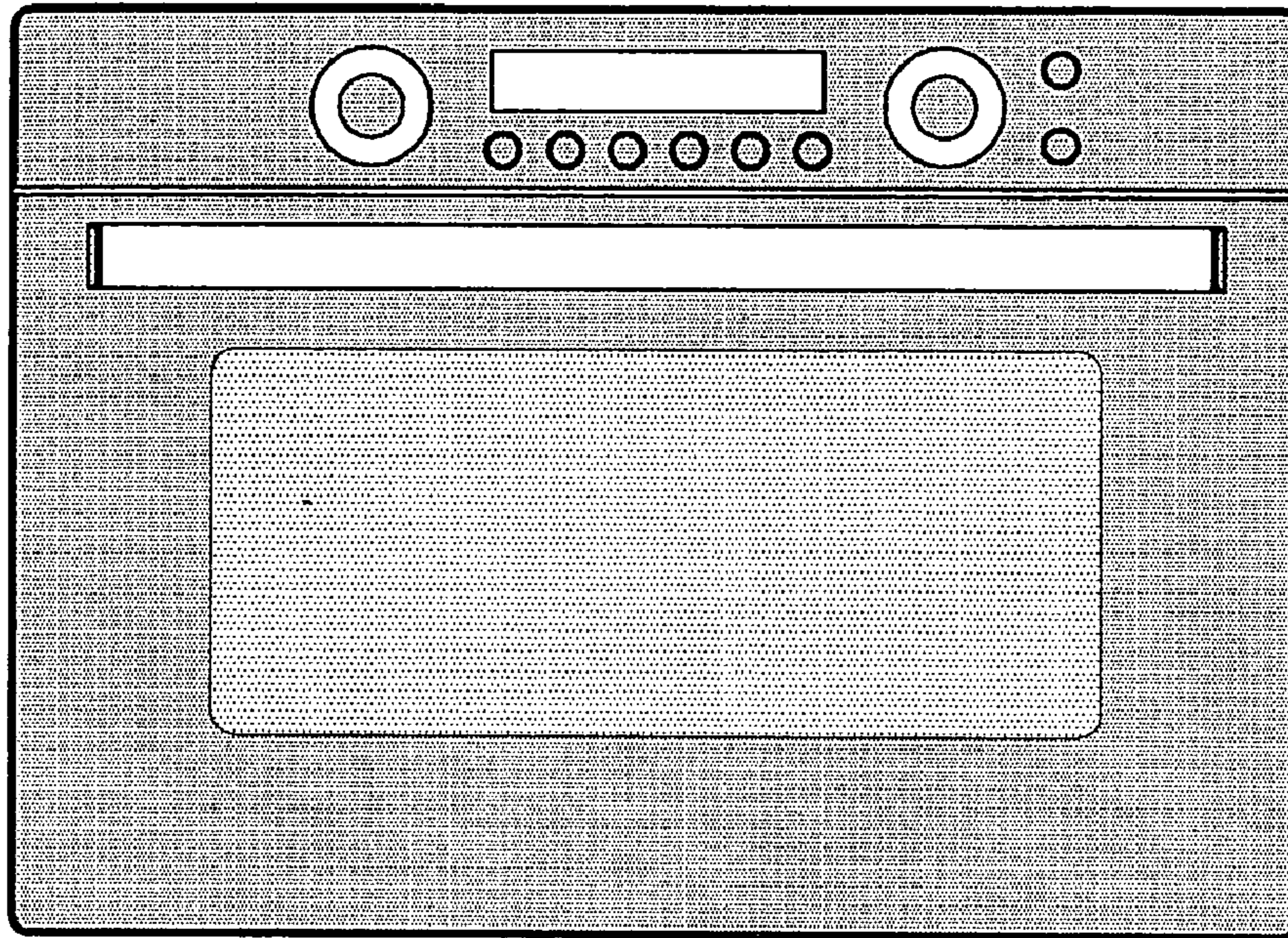


FIG. 3

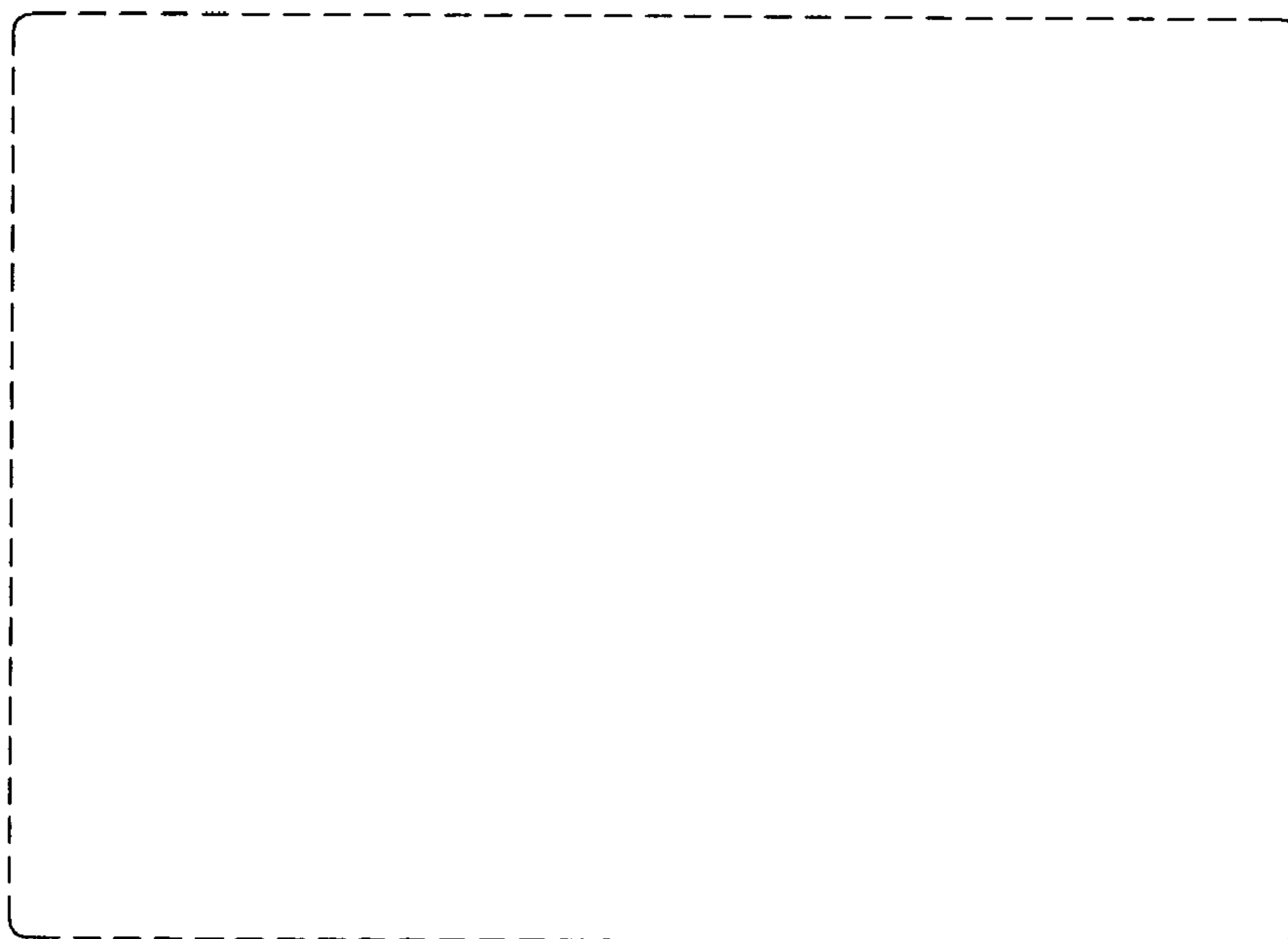


FIG. 4

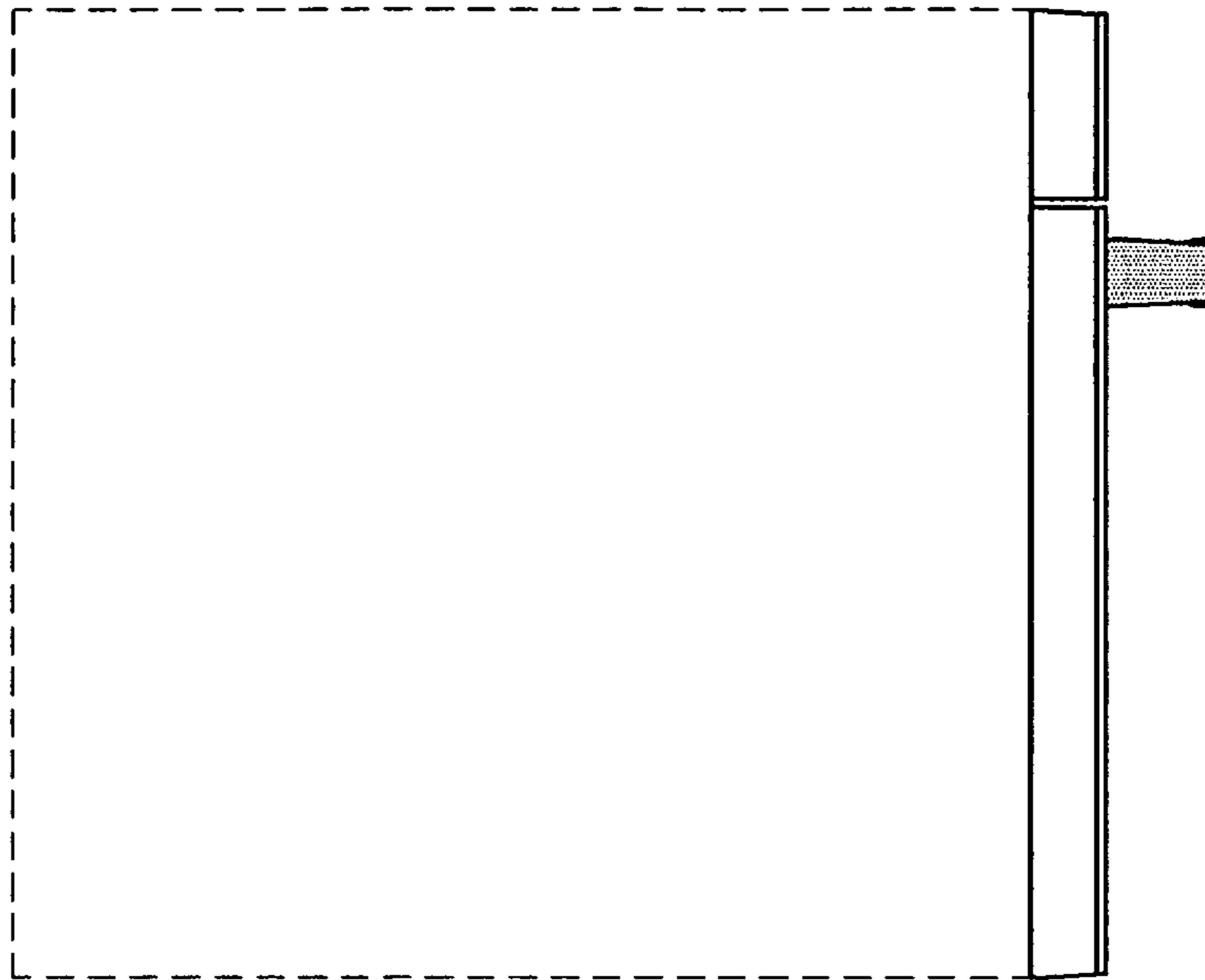


FIG. 5

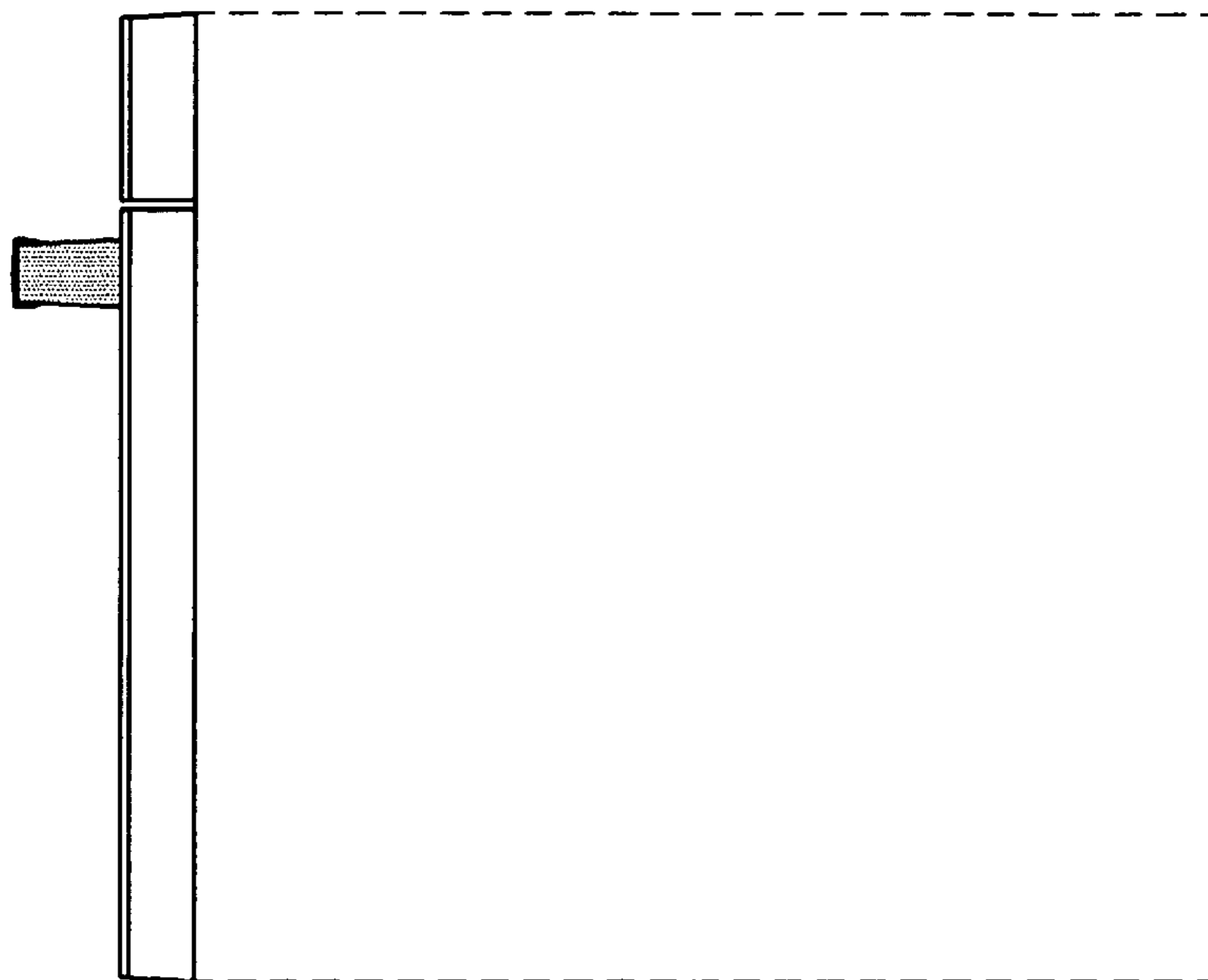


FIG. 6

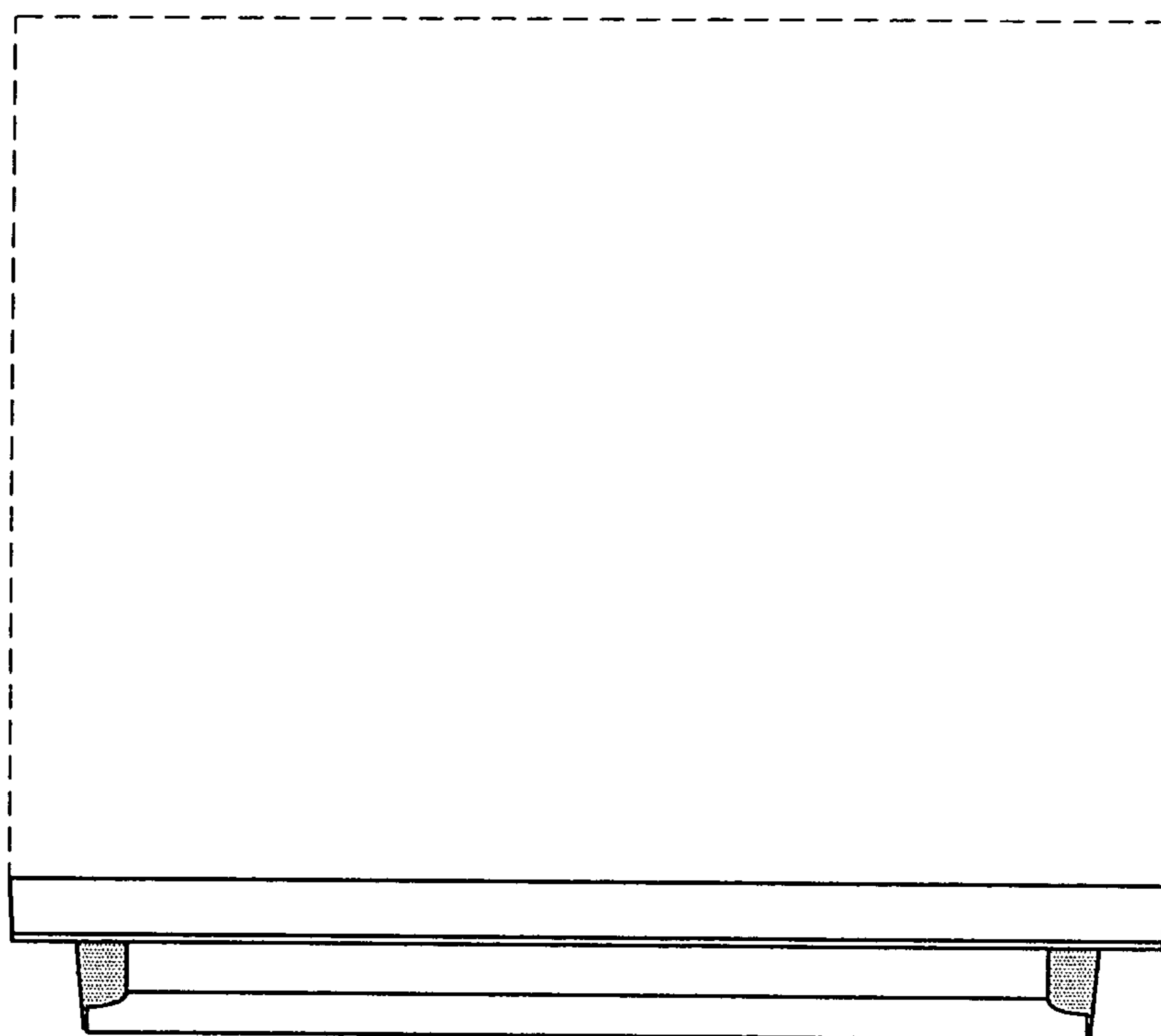


FIG. 7

