



US00D550501S

(12) **United States Design Patent**  
**Chung**

(10) **Patent No.:** **US D550,501 S**

(45) **Date of Patent:** **\*\* Sep. 11, 2007**

(54) **BARBECUE GRILL**

D529,331 S \* 10/2006 Chung ..... D7/334

(76) Inventor: **Kiosky Chung**, 8F-1, No. 497,  
Jhongming S. Rd., West District,  
Taichung City 403 (TW)

OTHER PUBLICATIONS  
Fiesta Pro-XL Series. [Retrieved on Mar. 19, 2007]. Retrieved from  
the Internet: <www.fiestagasgrills.com/grills/pro.xl/01.html>.\*

(\*\*) Term: **14 Years**

\* cited by examiner

(21) Appl. No.: **29/247,280**

*Primary Examiner*—Ruth McInroy  
(74) *Attorney, Agent, or Firm*—Alan Kamrath; Kamrath &  
Associates PA

(22) Filed: **Jun. 9, 2006**

(51) **LOC (8) Cl.** ..... **07-02**

(52) **U.S. Cl.** ..... **D7/334**

(58) **Field of Classification Search** ..... D23/343,  
D23/345, 348, 350; D7/332–337, 402–405;  
126/25 A, 25 AA, 25 R, 9 R, 9 B, 38, 37 R,  
126/41 R, 40, 50, 12, 276, 8, 304 R; 99/481–482;  
312/249.13, 249.8, 351.2

See application file for complete search history.

(57) **CLAIM**

I claim the ornamental design for a barbecue grill, as shown  
and described.

**DESCRIPTION**

FIG. 1 is the perspective view of a barbecue grill showing  
my new design;

FIG. 2 is the front elevational view thereof;

FIG. 3 is the rear elevational view thereof;

FIG. 4 is the left side elevational view thereof;

FIG. 5 is the right side elevational view thereof;

FIG. 6 is the top plan view thereof; and,

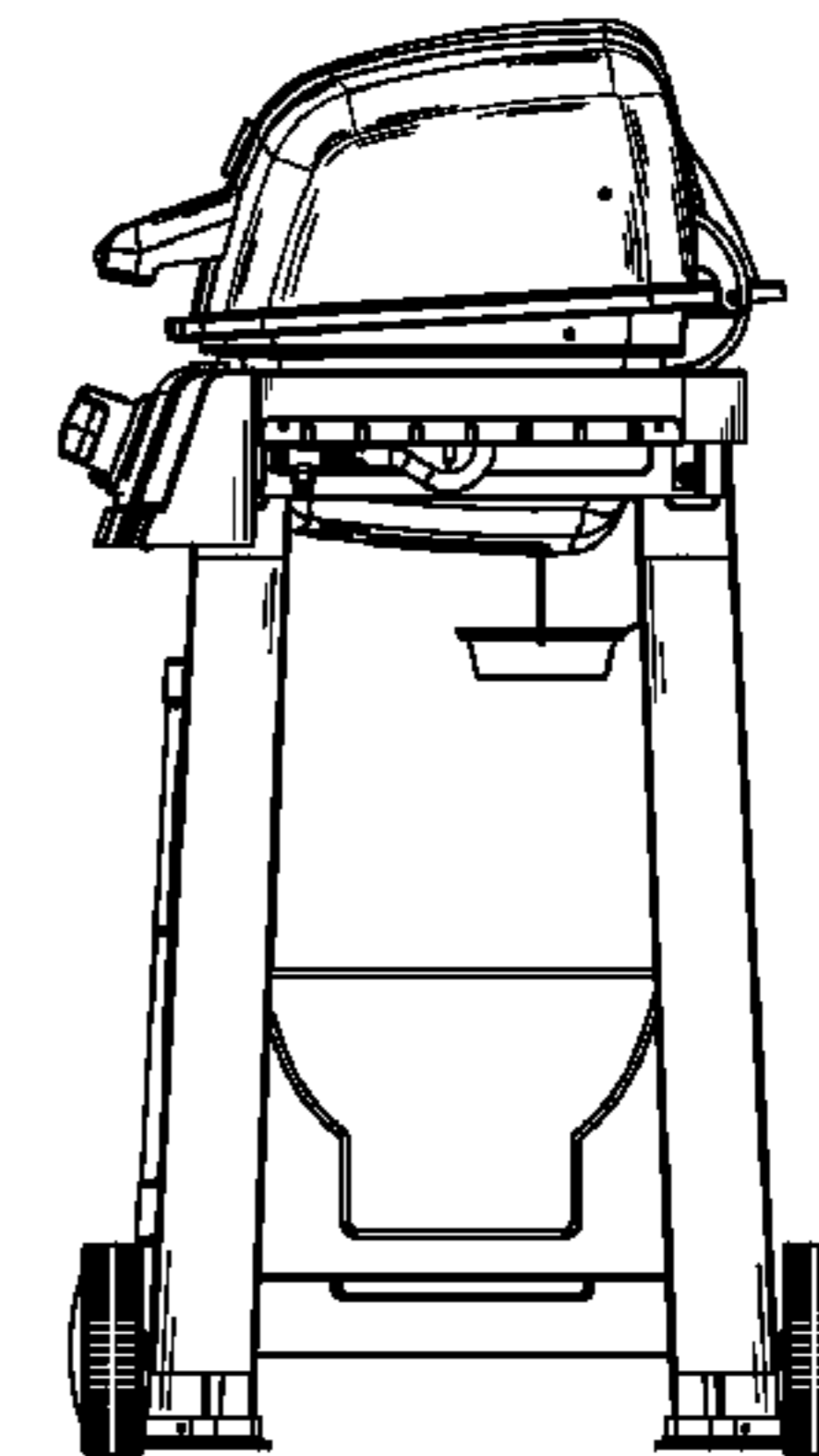
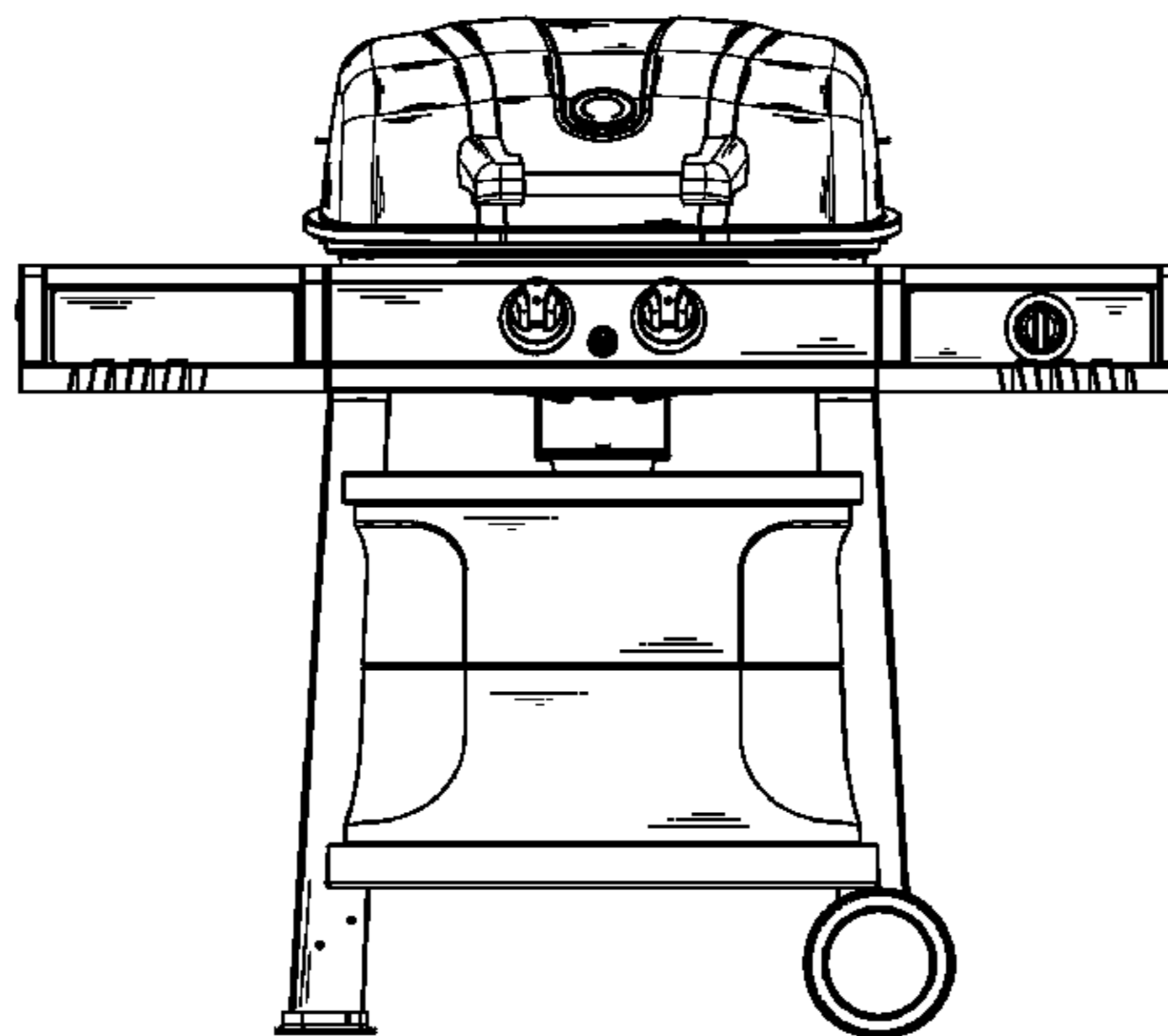
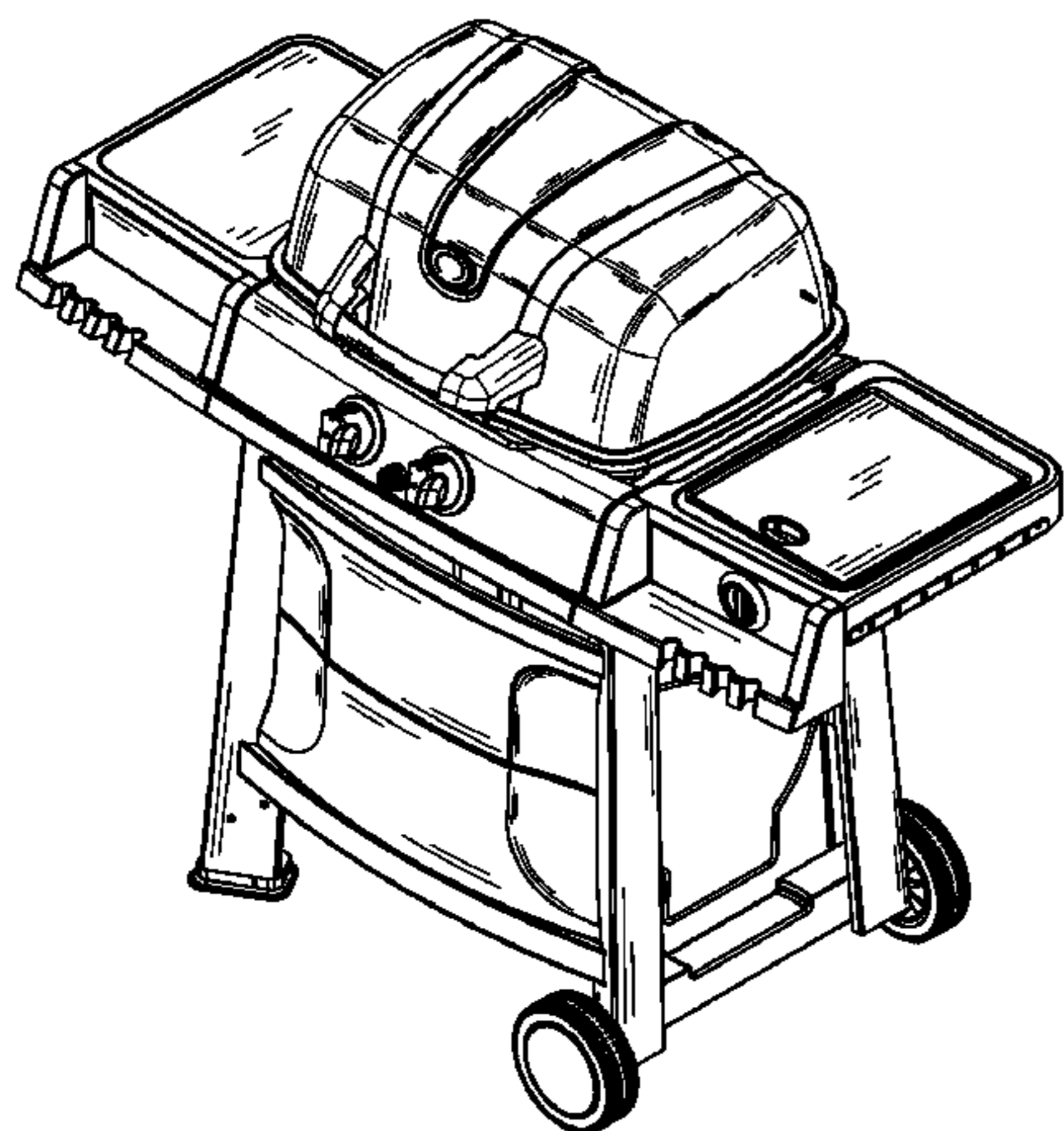
FIG. 7 is the bottom plan view thereof.

(56) **References Cited**

**U.S. PATENT DOCUMENTS**

- D508,363 S \* 8/2005 Chung ..... D7/334
- D528,848 S \* 9/2006 Chung ..... D7/334
- D528,849 S \* 9/2006 Chung ..... D7/334
- D528,851 S \* 9/2006 Chung ..... D7/334
- D529,329 S \* 10/2006 Chung ..... D7/334
- D529,330 S \* 10/2006 Chung ..... D7/334

**1 Claim, 7 Drawing Sheets**



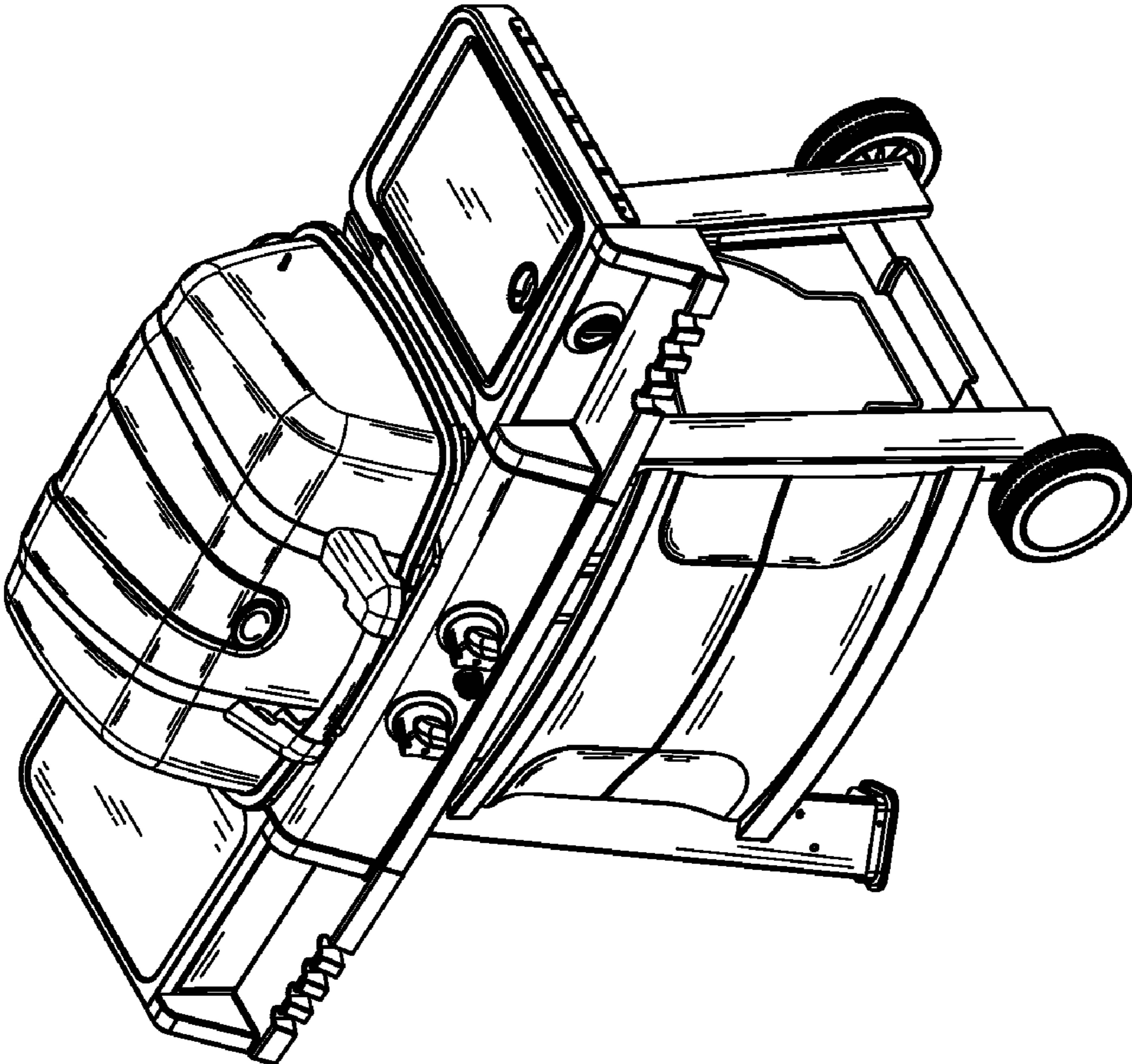


Fig. 1

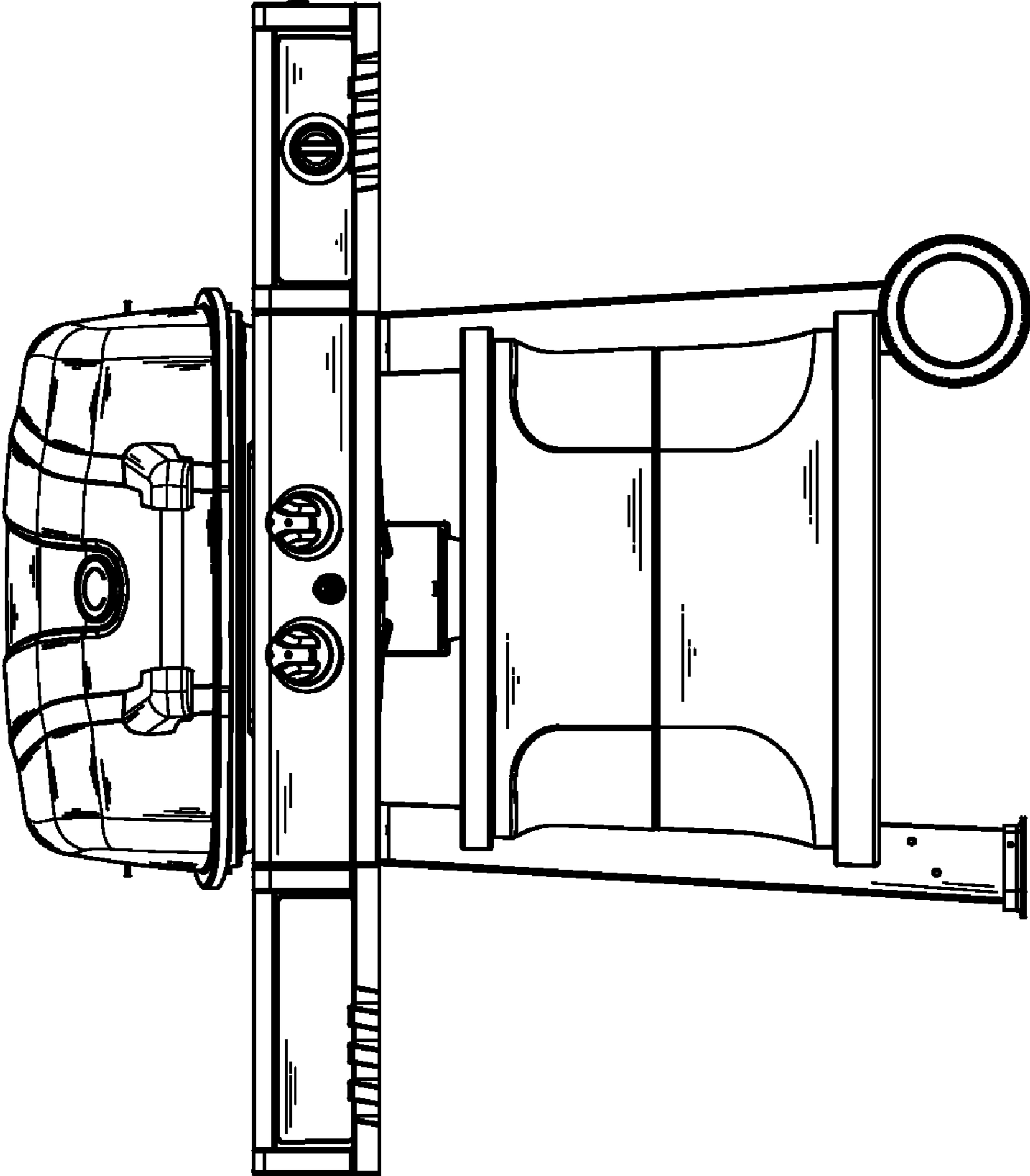


Fig. 2

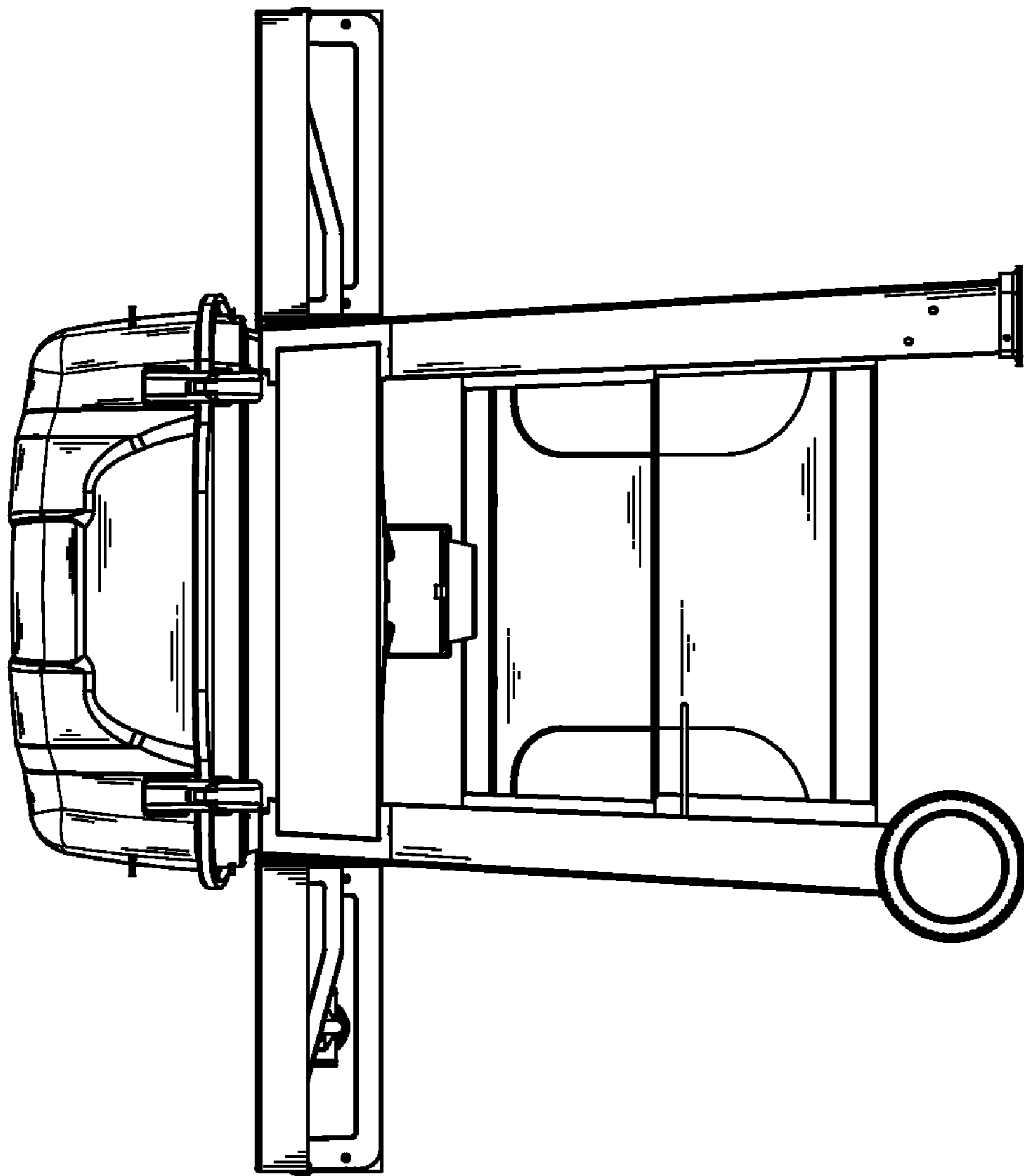


Fig. 3

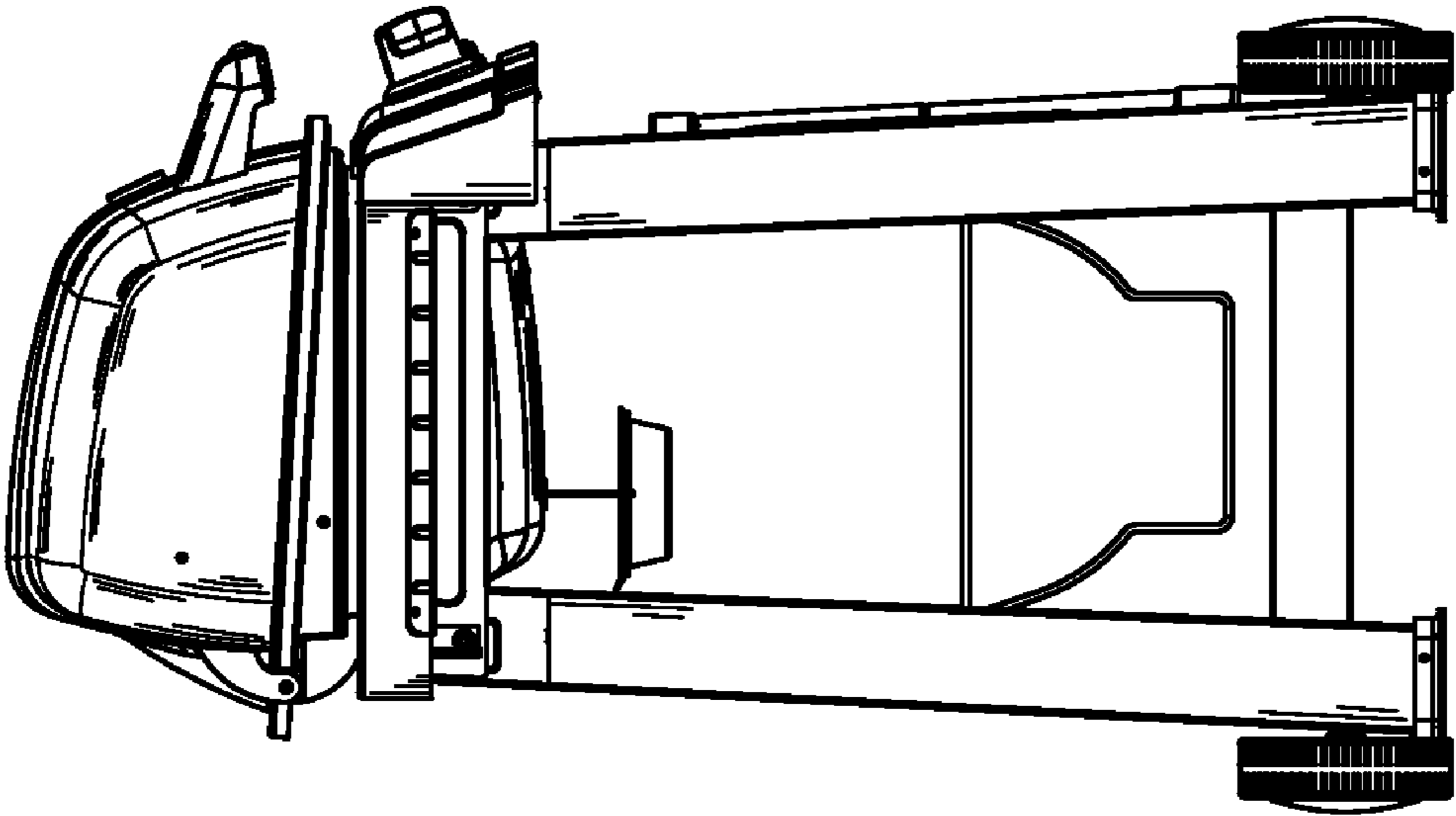


Fig. 4

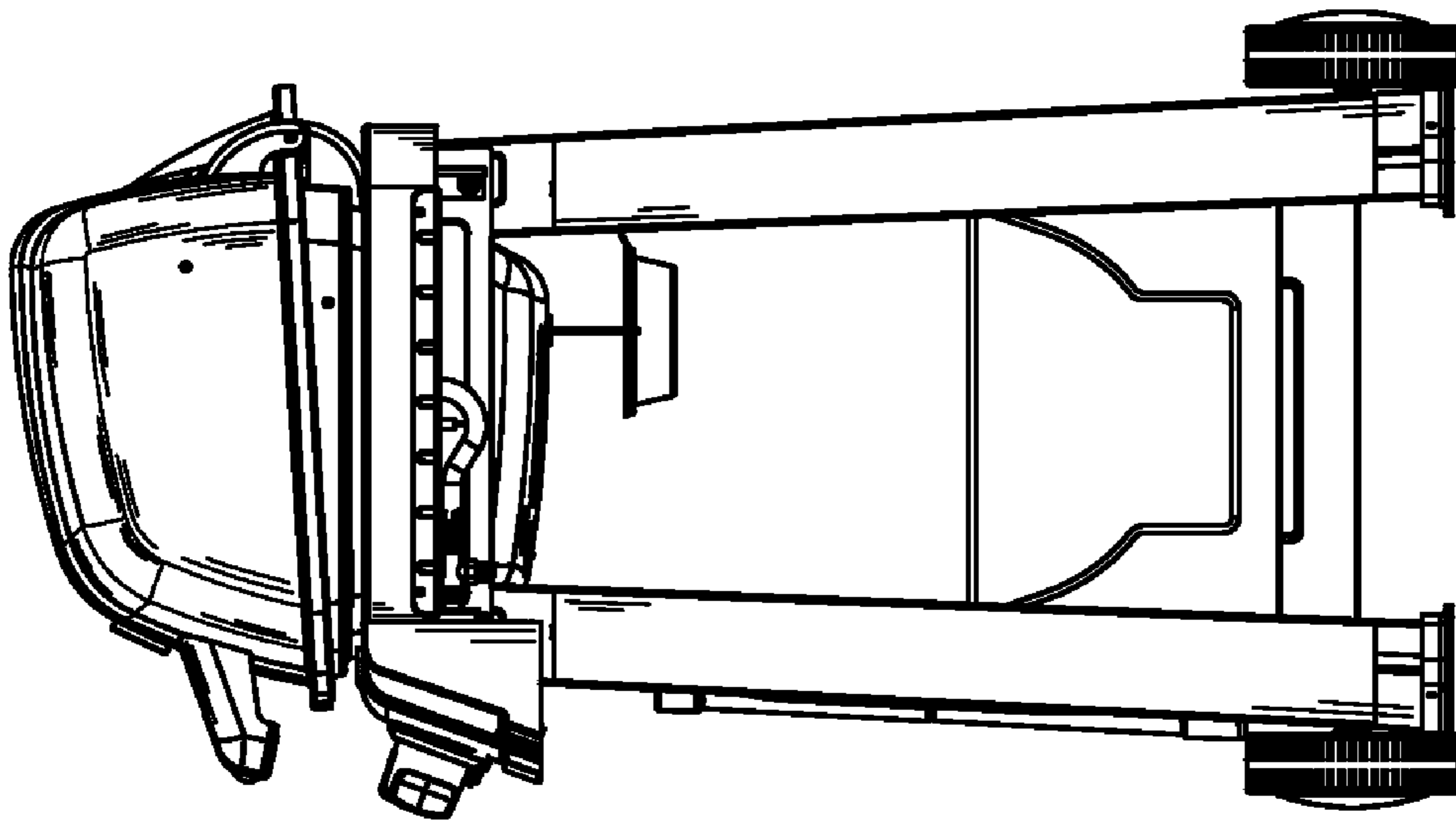


Fig. 5

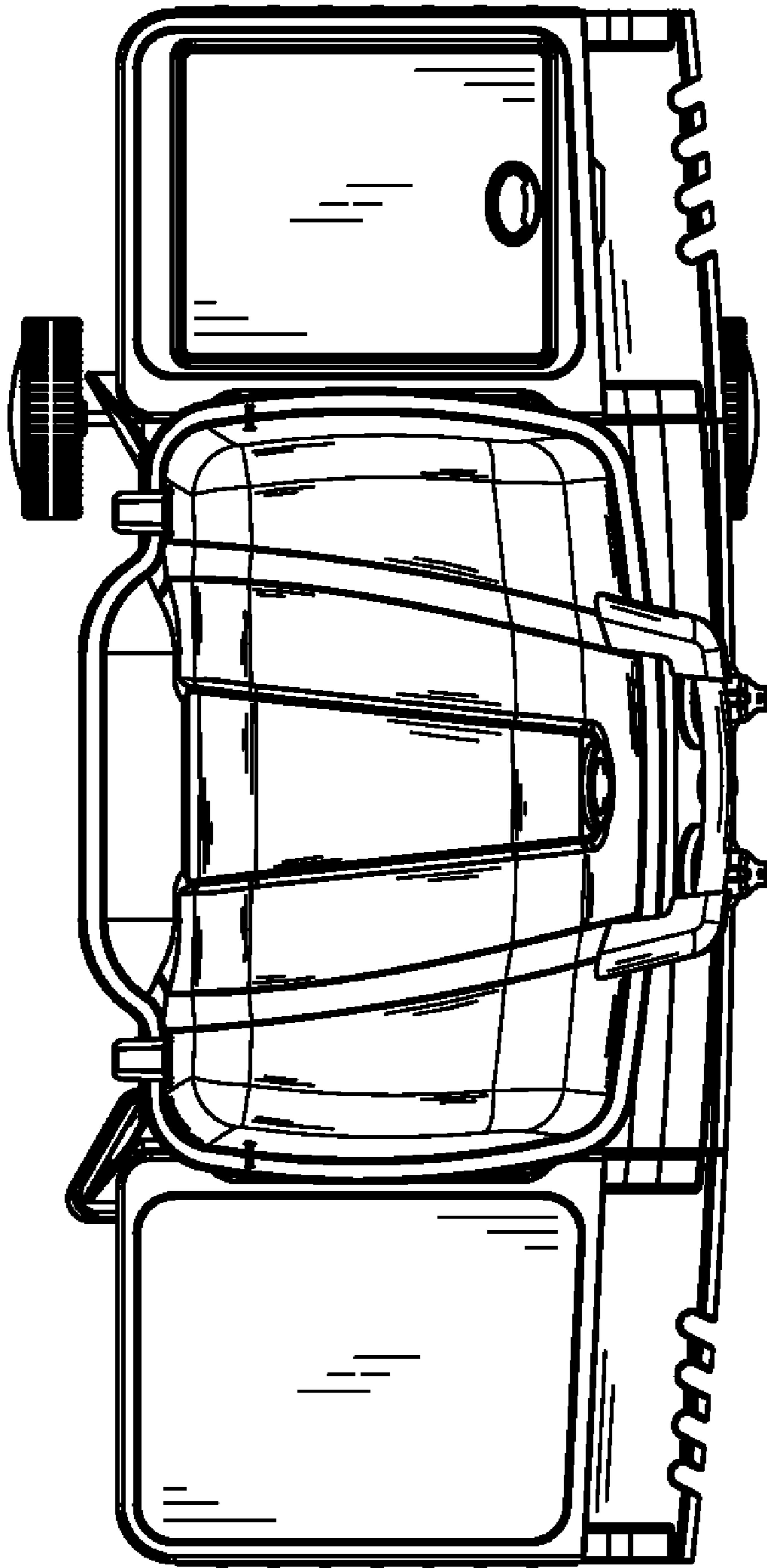


Fig. 6

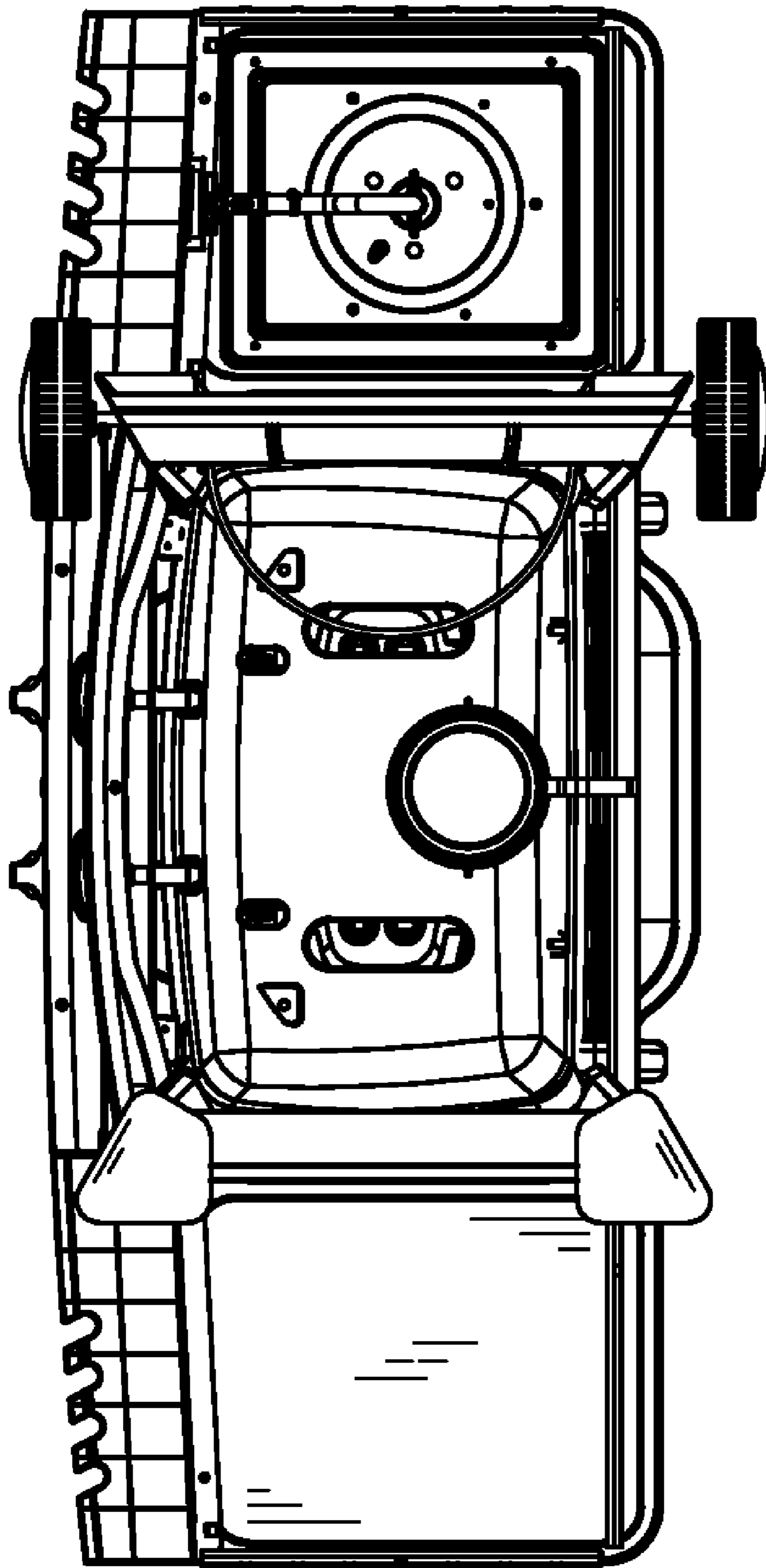


Fig. 7