

US00D550496S

(12) **United States Design Patent** (10) **Patent No.:** **US D550,496 S**
Stribling et al. (45) **Date of Patent:** **** Sep. 11, 2007**

(54) **LEAK-PROOF STRAW**

(75) Inventors: **Robert Stribling**, Monroe, GA (US);
Samuel Clifford Crosby, Lilburn, GA (US)

(73) Assignee: **The Last Straw LLC**, Monroe, GA (US)

(**) Term: **14 Years**

(21) Appl. No.: **29/246,391**

(22) Filed: **Apr. 6, 2006**

Related U.S. Application Data

(63) Continuation of application No. 11/164,700, filed on Dec. 1, 2005.

(51) **LOC (8) Cl.** **07-06**

(52) **U.S. Cl.** **D7/300.2**

(58) **Field of Classification Search** D7/300.2;
D24/108, 112; 215/229, 388, 389; 239/16,
239/24, 33; 604/35, 542, 902; 606/170;
433/91, 96

See application file for complete search history.

(56) **References Cited**

U.S. PATENT DOCUMENTS

4,134,494 A * 1/1979 Wong 206/216
4,733,785 A * 3/1988 Turner et al. 215/229

(Continued)

FOREIGN PATENT DOCUMENTS

EP 0 266 067 5/1988
GB 705354 3/1954
WO 95/13786 5/1995

Primary Examiner—Holly H. Baynham

Assistant Examiner—Cynthia M. Chin

(74) *Attorney, Agent, or Firm*—Merchant & Gould

(57) **CLAIM**

The ornamental design for a leak-proof straw, as shown and described.

DESCRIPTION

FIG. 1 illustrates an elevational view of the leak-proof straw with attached adapter, valve, and snap-fit ring, showing my new design.

FIG. 2 illustrates an environmental elevational view of the straw of FIG. 1 during use with a drink container.

FIG. 3 illustrates a top end view of FIG. 1.

FIG. 4 illustrates a bottom end view of FIG. 1.

FIG. 5 illustrates an environmental elevational view of a second embodiment of the straw of FIG. 1 as packaged with a juice box.

FIG. 6 illustrates an elevational view thereof.

FIG. 7 illustrates a top end view of FIG. 6.

FIG. 8 illustrates a bottom end view of FIG. 6.

FIG. 9 illustrates an environmental elevational view of a third embodiment of the straw of FIG. 1 as packaged with a juice box.

FIG. 10 illustrates an elevational view thereof.

FIG. 11 illustrates a top end view of FIG. 10; and,

FIG. 12 illustrates a bottom end view of FIG. 10.

The broken lines are for illustrative purposes only and form no part of the claimed design.

1 Claim, 3 Drawing Sheets



US D550,496 S

Page 2

U.S. PATENT DOCUMENTS

D303,197	S	*	9/1989	Turner et al.	D7/300.2	6,039,305	A	3/2000	Hoskins et al.		
5,054,631	A		10/1991	Robbins		6,109,538	A	*	8/2000	Villani et al. 239/33	
5,113,900	A		5/1992	Gilbert		6,142,326	A	*	11/2000	Cornell et al. 215/388	
5,184,774	A		2/1993	Lipson		D487,375	S	*	3/2004	Bengtsson et al. D7/300.2	
5,346,081	A	*	9/1994	Lin	215/229	D496,209	S	*	9/2004	Killips	D7/300.2
5,361,987	A	*	11/1994	Matheussen et al.	239/33	2002/0115961	A1	8/2002	Writt		
D359,873	S	*	7/1995	Proman et al.	D7/300.2	2003/0222238	A1	12/2003	Getzewich et al.		
5,730,336	A		3/1998	Lerner							

* cited by examiner

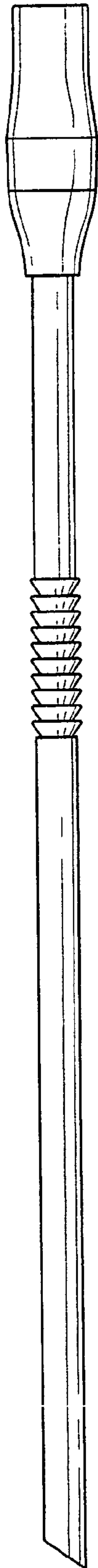


FIG. 1

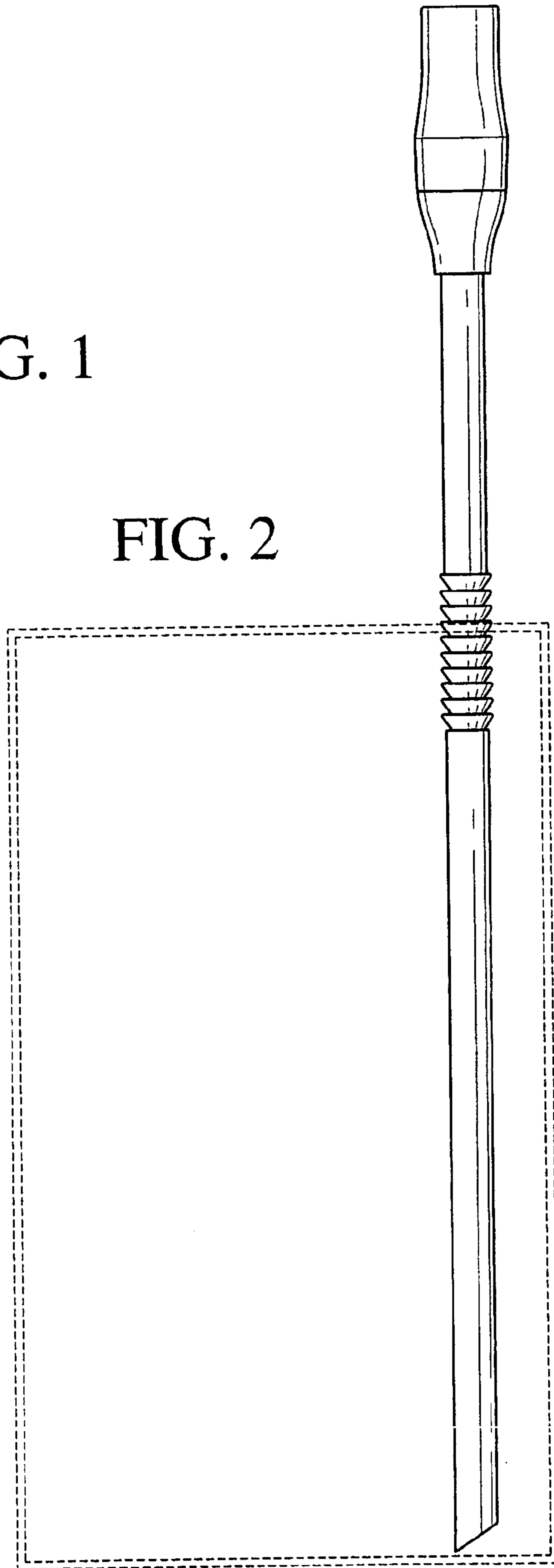


FIG. 2

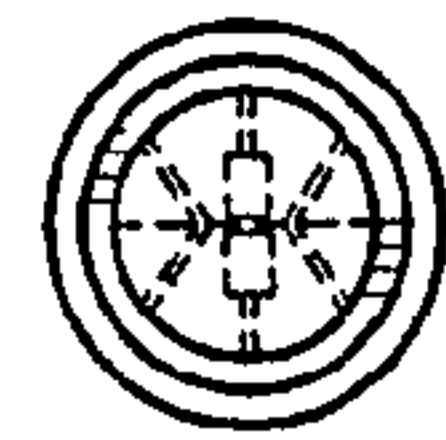


FIG. 3

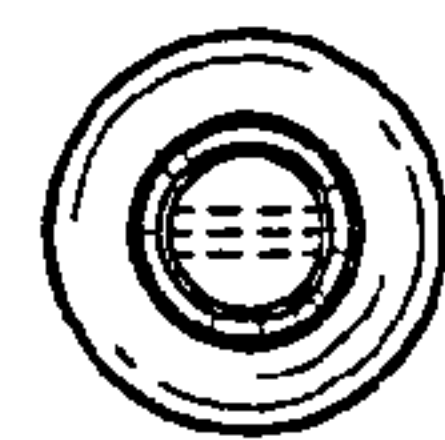


FIG. 4

FIG. 5

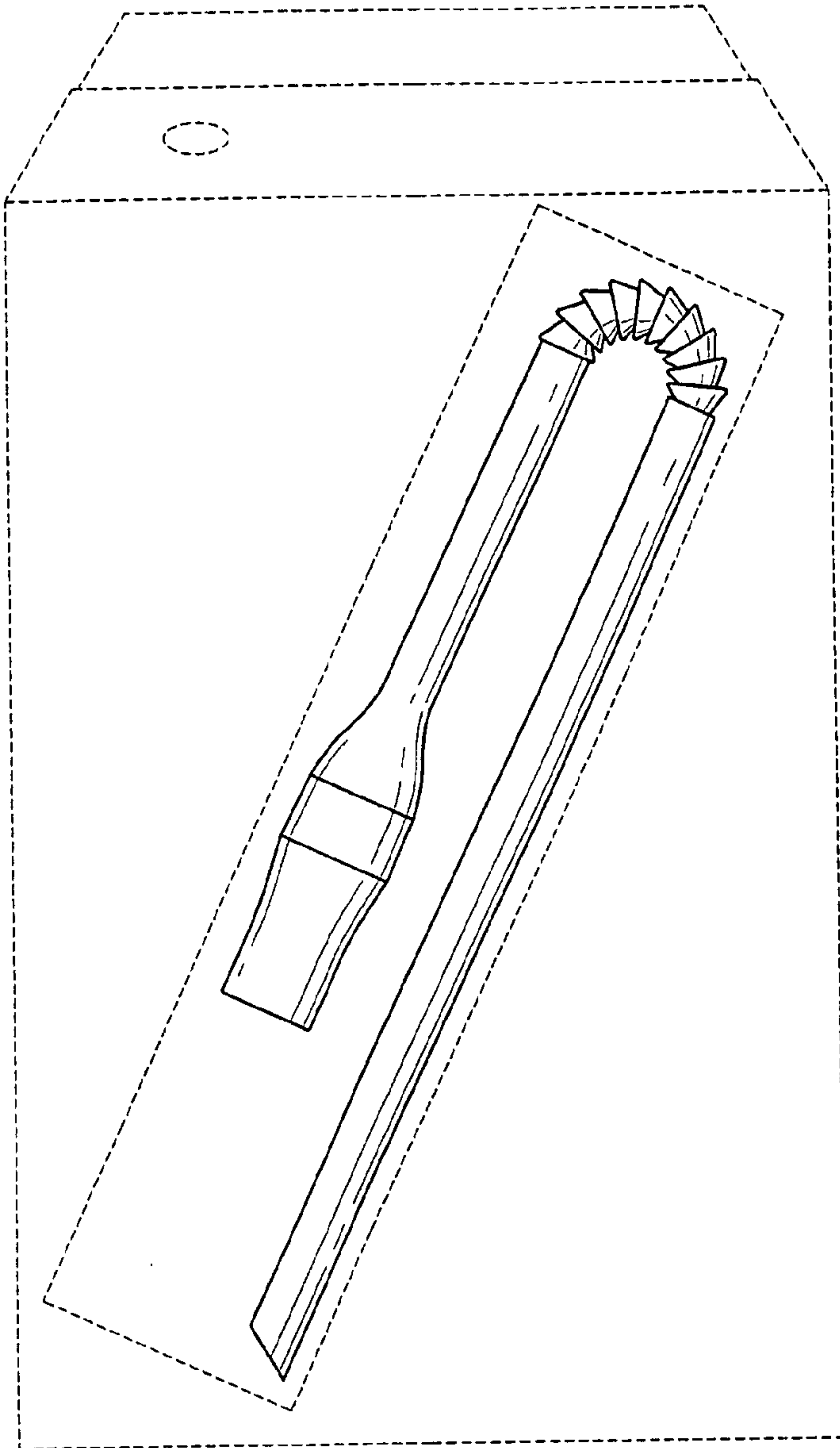


FIG. 6

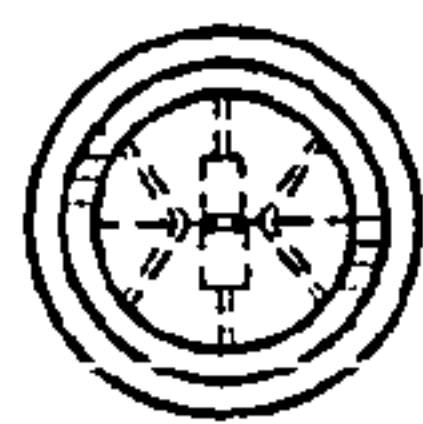
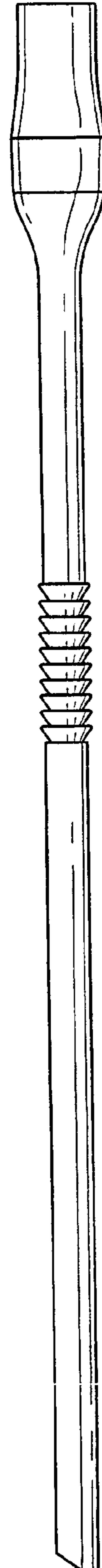


FIG. 7

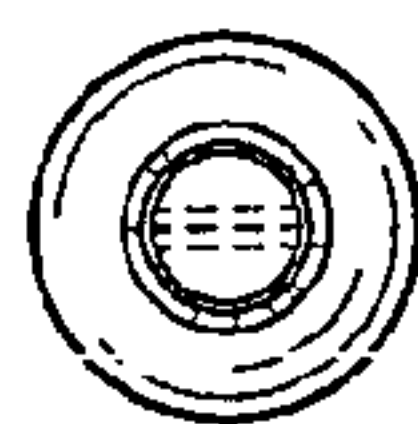


FIG. 8

FIG. 9

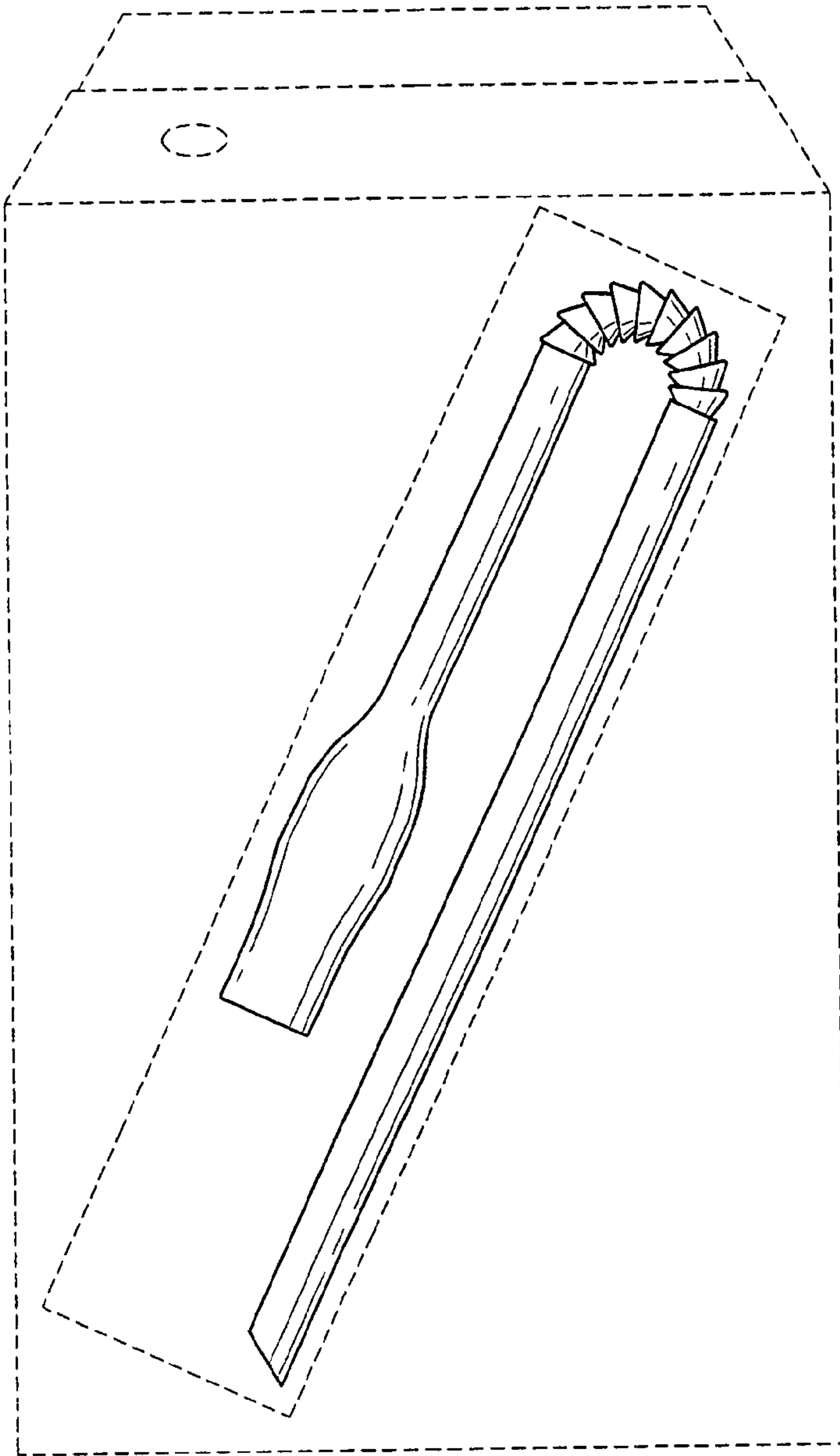


FIG. 10

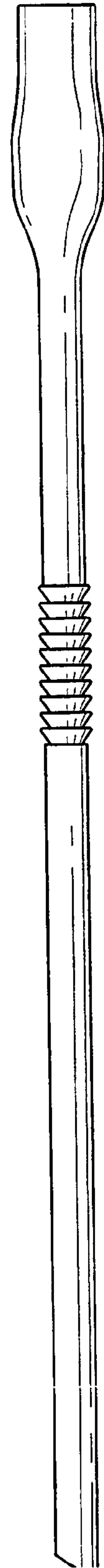


FIG. 11

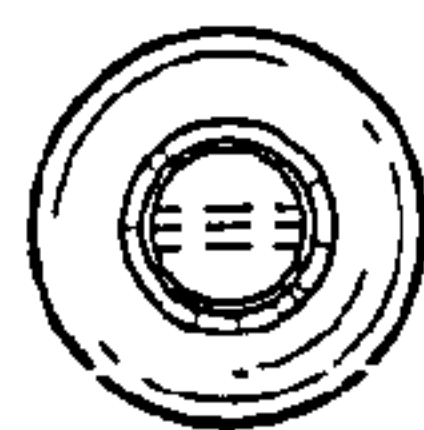


FIG. 12