



US00D550491S

(12) **United States Design Patent** (10) **Patent No.:** **US D550,491 S**
Leonard et al. (45) **Date of Patent:** **** Sep. 11, 2007**

(54) **BASE UNIT**

(75) Inventors: **Stephen B. Leonard**, Franksville, WI (US); **Greg Holderfield**, Oak Park, IL (US); **Lauren M. Rathmann**, Grayslake, IL (US)

(73) Assignee: **S.C. Johnson & Son, Inc.**, Racine, WI (US)

(**) Term: **14 Years**

(21) Appl. No.: **29/257,948**

(22) Filed: **Apr. 13, 2006**

(51) **LOC (8) Cl.** **23-02**

(52) **U.S. Cl.** **D6/543**

(58) **Field of Classification Search** D6/542-543;
222/14, 649, 92, 105, 146.1, 146.2, 146.3,
222/146.5

See application file for complete search history.

(56) **References Cited**

U.S. PATENT DOCUMENTS

2,056,096	A	9/1936	Etter	
3,843,022	A	10/1974	Radcliffe et al.	
D234,483	S *	3/1975	Schick	D6/543
D241,202	S *	8/1976	Farmon	D6/543
D241,592	S *	9/1976	Trumball	D6/543
6,056,160	A *	5/2000	Carlucci et al.	222/146.3
D426,413	S *	6/2000	Kreitemier et al.	D6/543
6,126,129	A	10/2000	Herron	
D456,654	S *	5/2002	Kunesh et al.	D6/543
D456,655	S *	5/2002	Ohta et al.	D6/543
6,415,957	B1 *	7/2002	Michaels et al.	222/146.3

* cited by examiner

Primary Examiner—Brian N Vinson

(57) **CLAIM**

The ornamental design for a base unit, as shown and described.

DESCRIPTION

In a preferred embodiment the nature of this product is as a base unit that facilitates heating a portion of a container of shaving cream, lotion or other personal care liquid.

FIG. 1 is a left, top, frontal perspective view of a base unit embodying our new design;

FIG. 2 is a front elevational view thereof;

FIG. 3 is a right side elevational view thereof;

FIG. 4 is a left side elevational view thereof;

FIG. 5 is a top plan view thereof;

FIG. 6 is a bottom plan view thereof;

FIG. 7 is a rear elevational view thereof;

FIG. 8 is a view similar to FIG. 1, but of a second embodiment;

FIG. 9 is a front elevational view thereof;

FIG. 10 is a right side elevational view thereof;

FIG. 11 is a left side elevational view thereof;

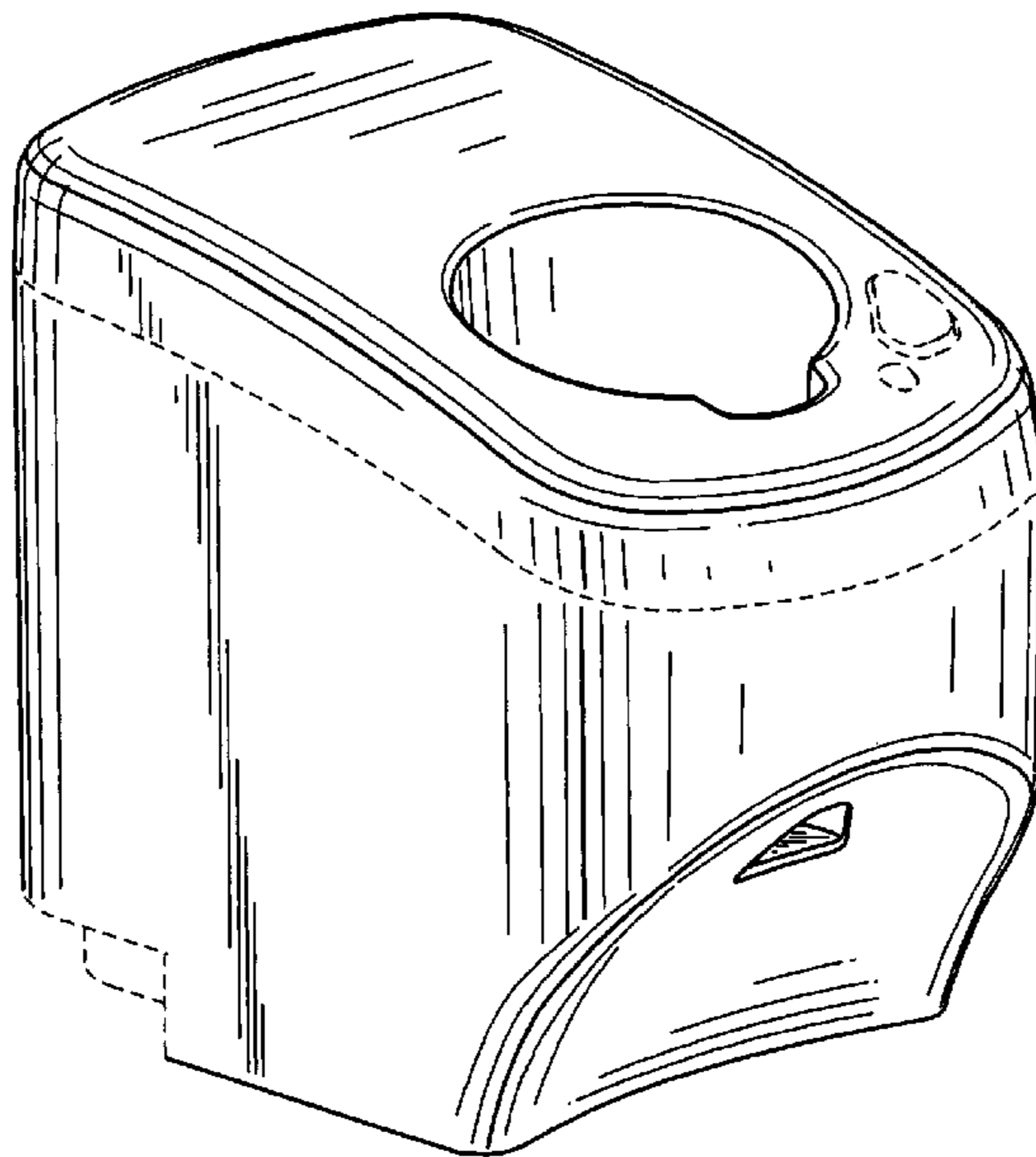
FIG. 12 is a top plan view thereof;

FIG. 13 is a bottom plan view thereof; and,

FIG. 14 is a rear elevational view thereof.

The broken line representations of an electrical control button and a status light in FIGS. 1-5, of a plug attachment notch in FIGS. 1, 4, 6 and 7, of support feet in FIGS. 2-4, 6 and 7, of surface ornamentation in FIGS. 1-4 and 7, and various vent holes in FIG. 6, are for purposes of illustration only and form no part of the claimed design.

1 Claim, 8 Drawing Sheets



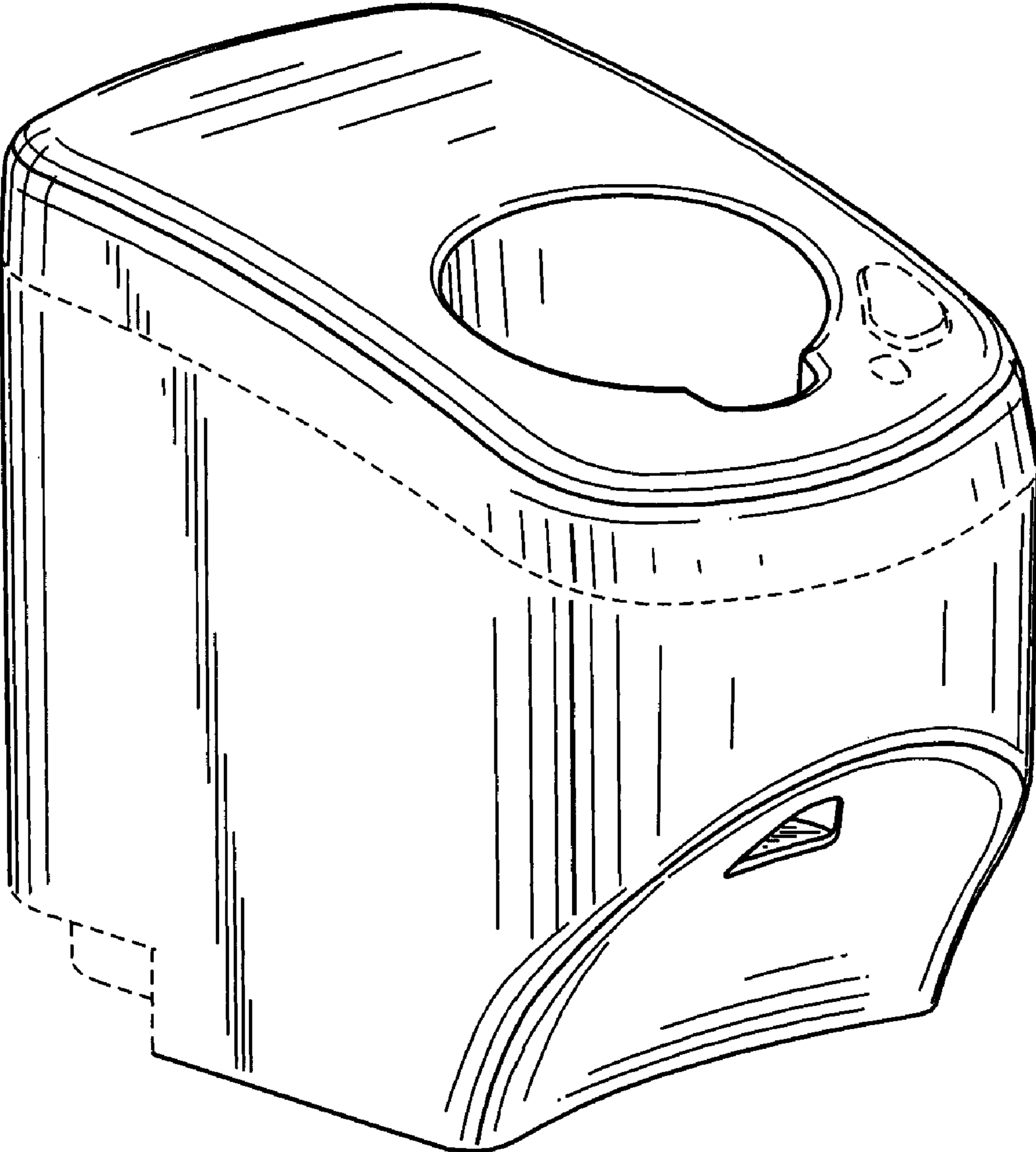


FIG. 1

FIG. 2

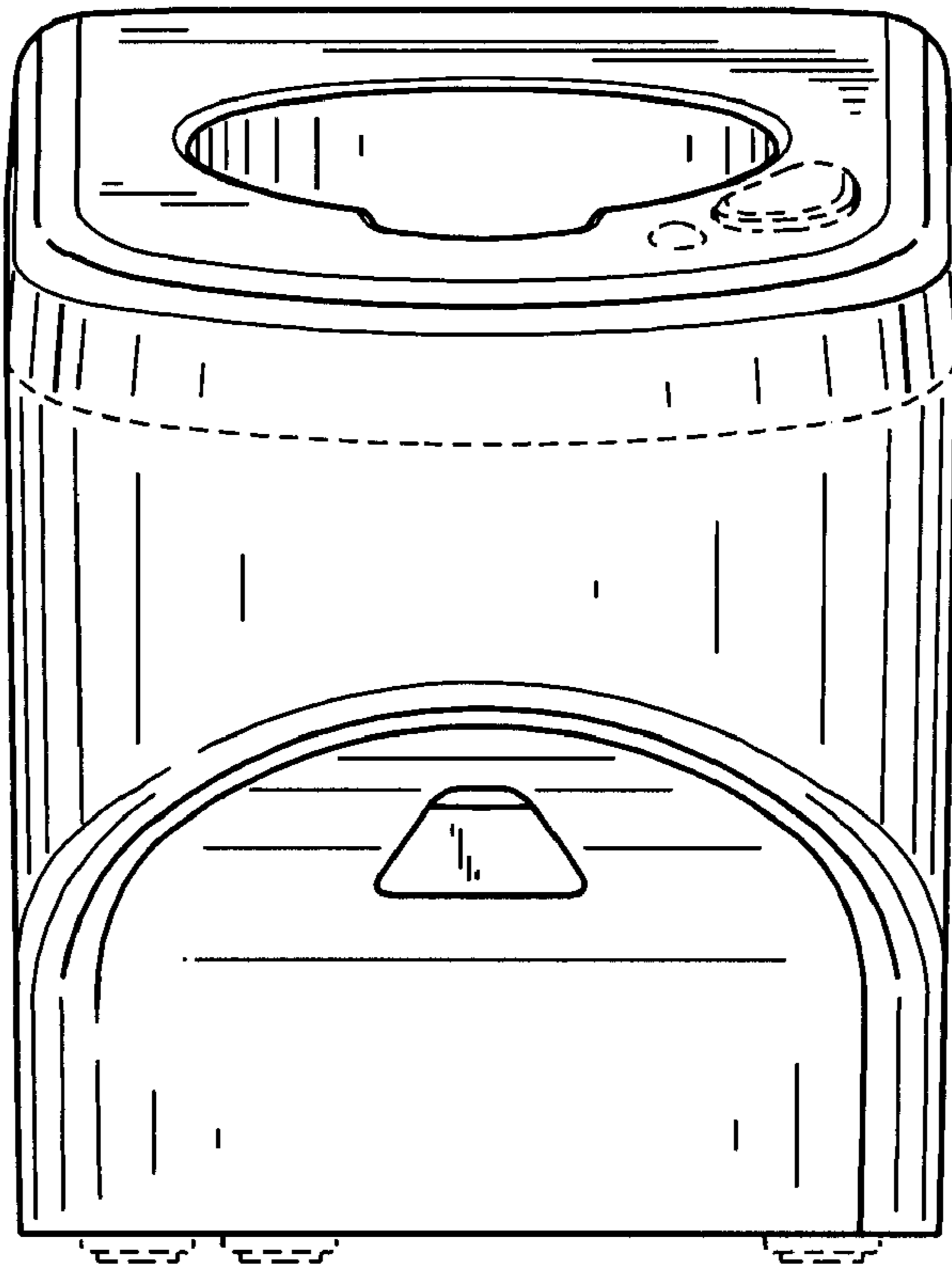


FIG. 3

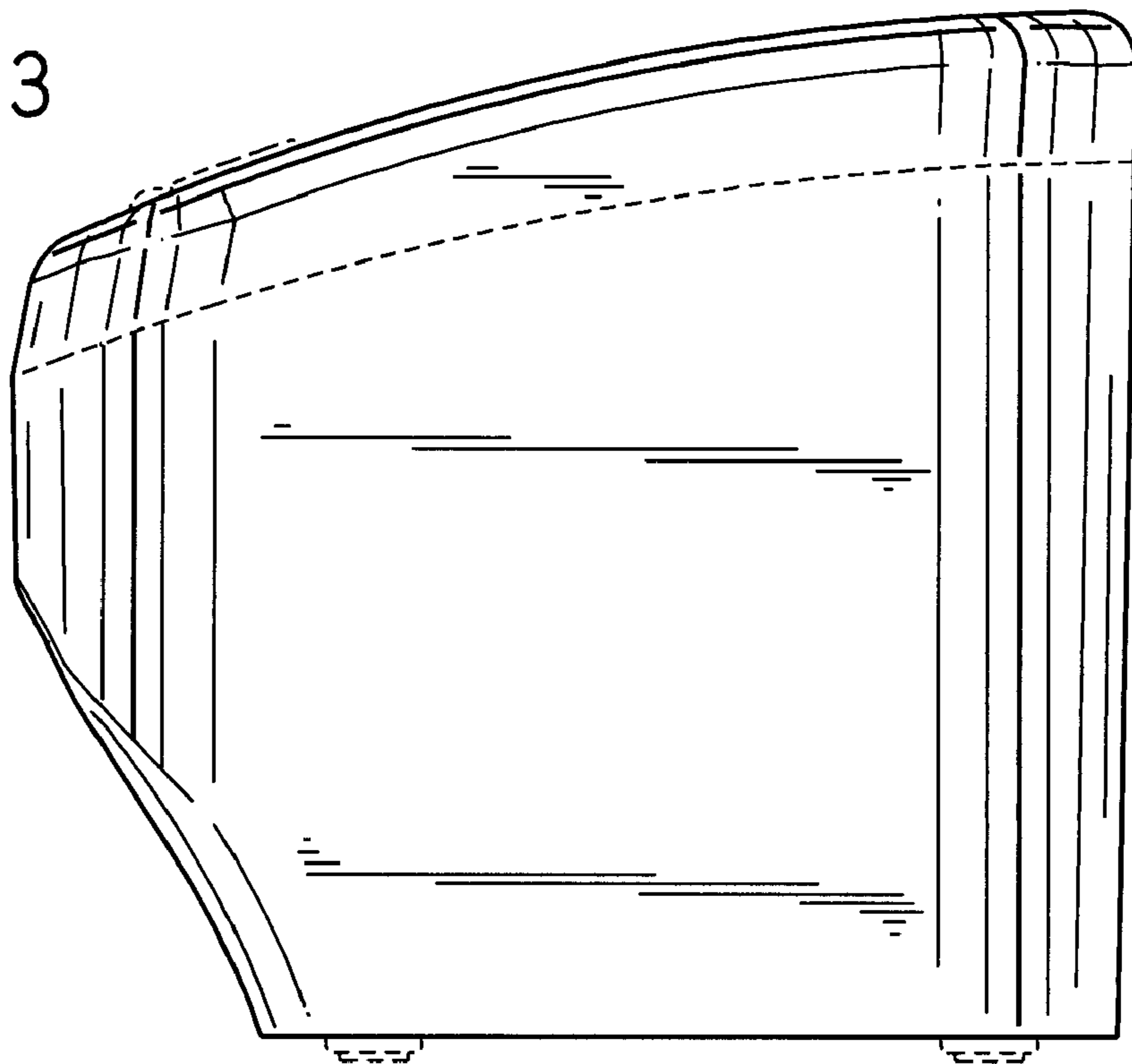


FIG. 4

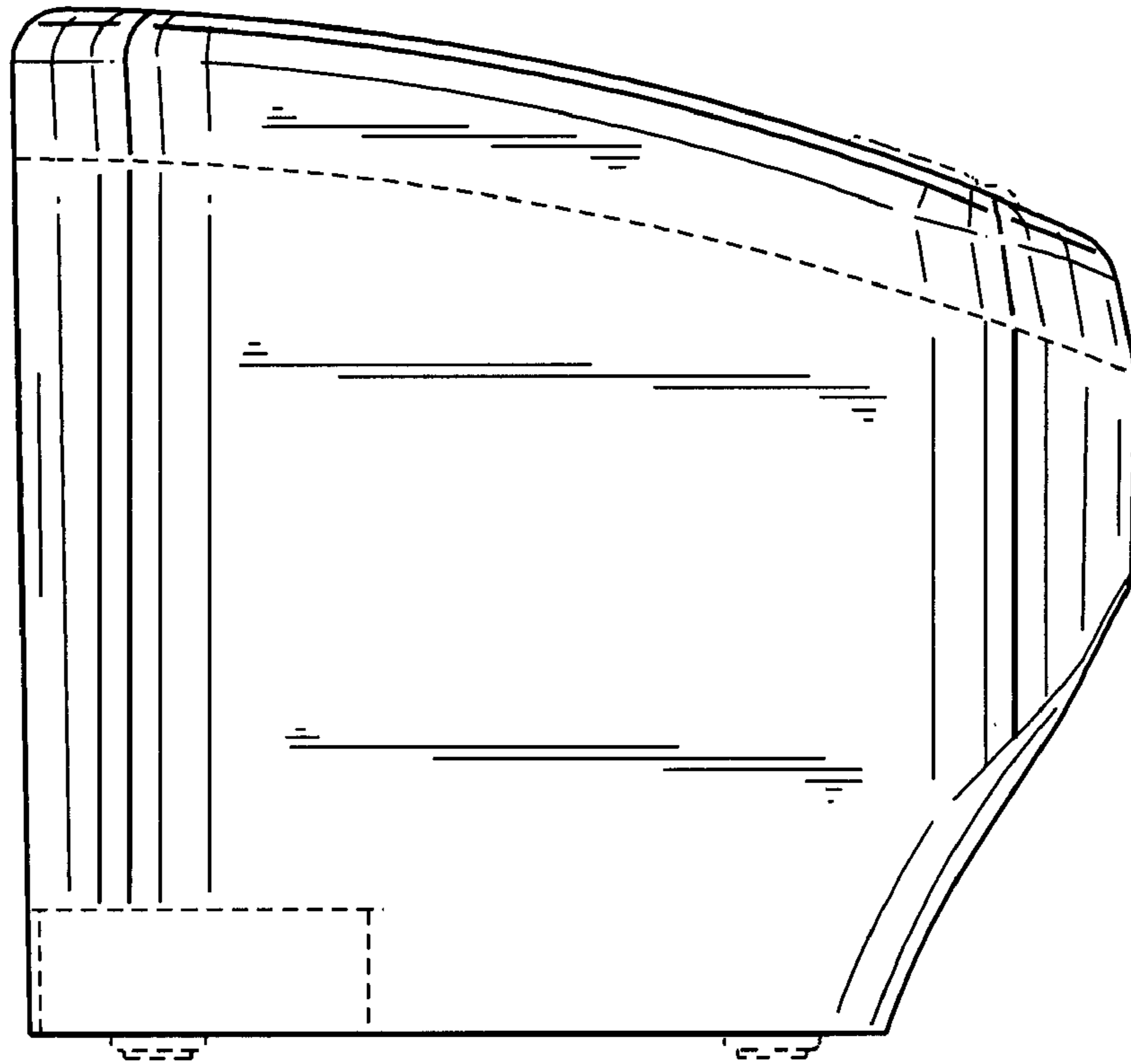


FIG. 5

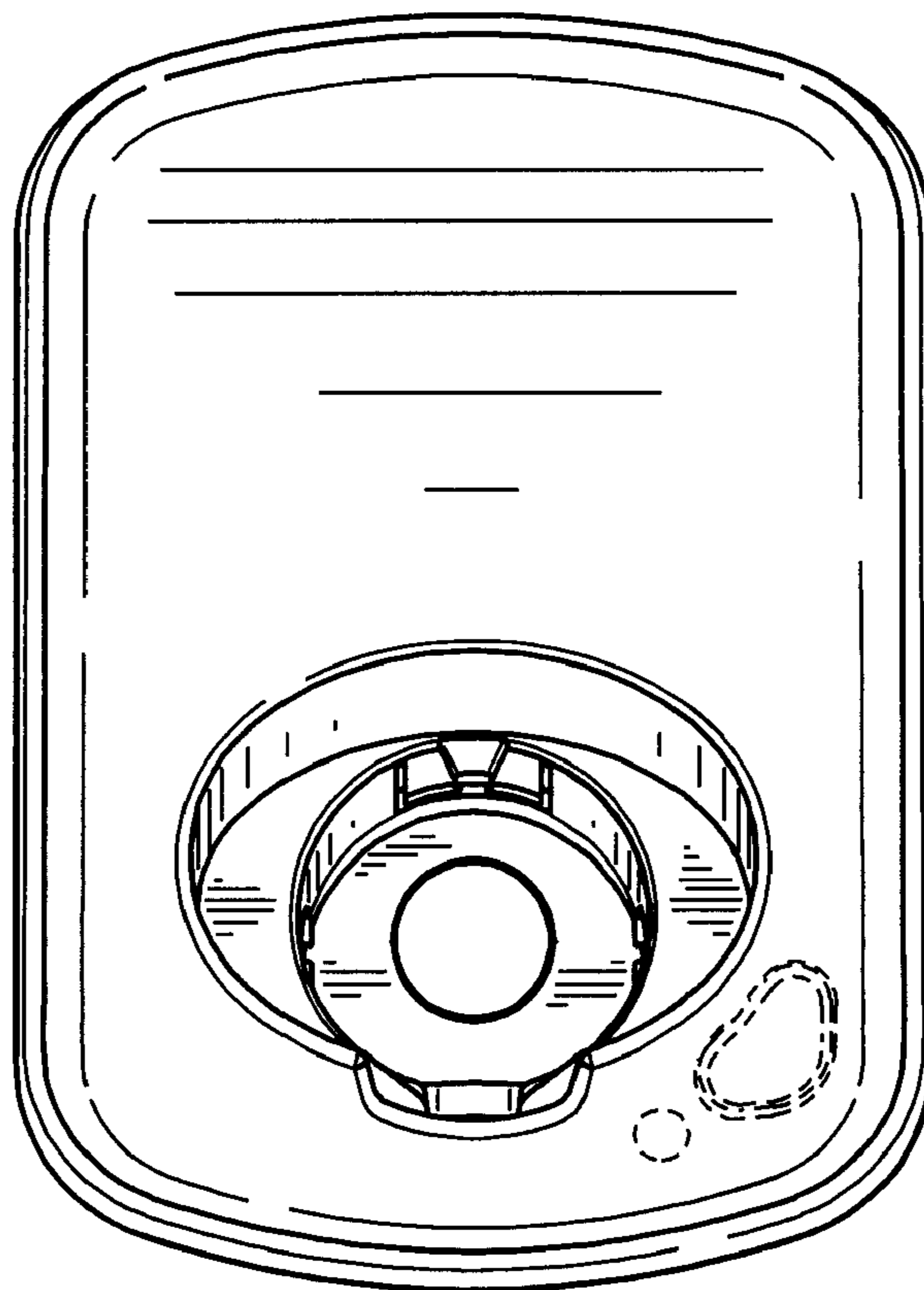


FIG. 6

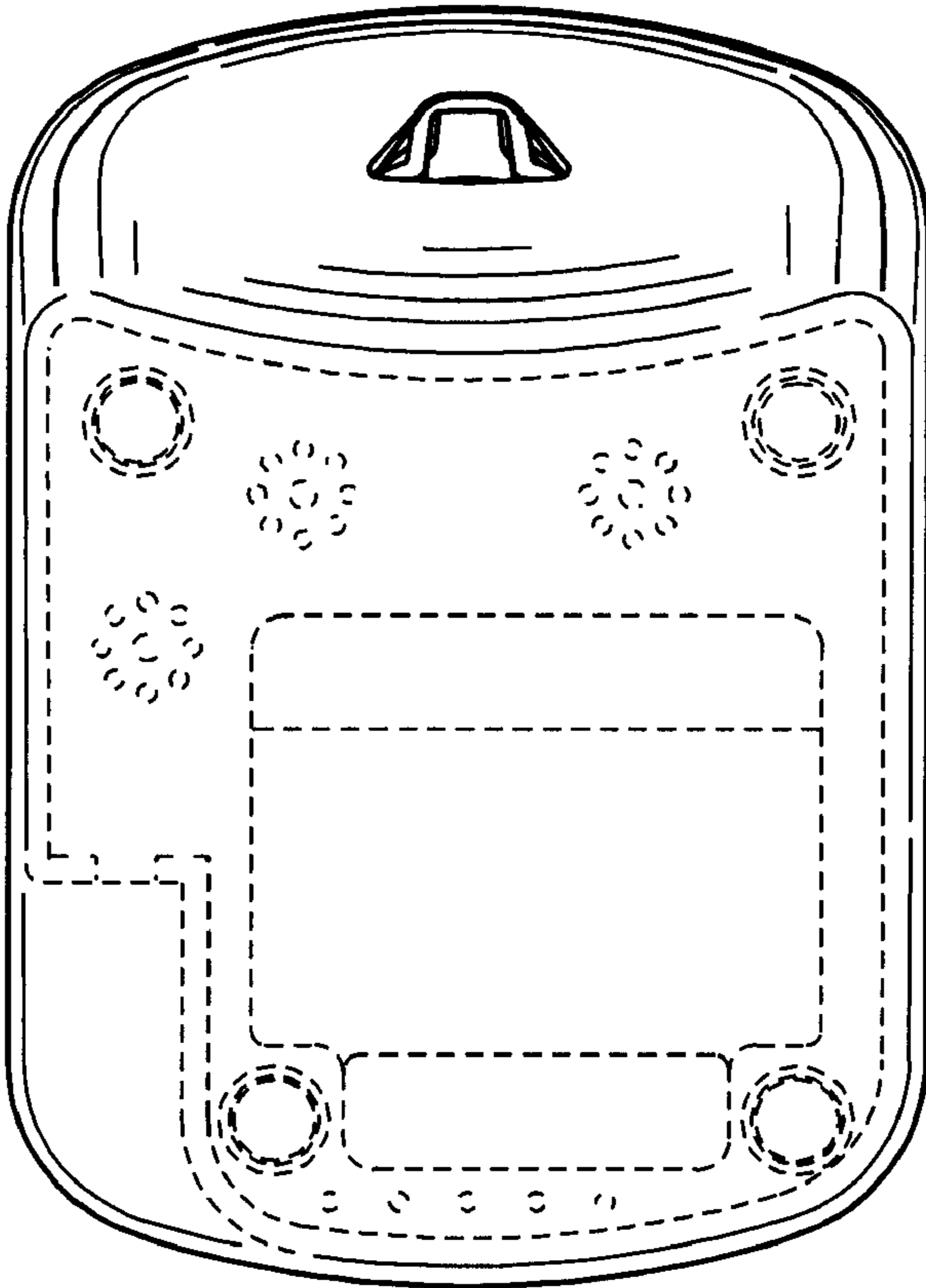
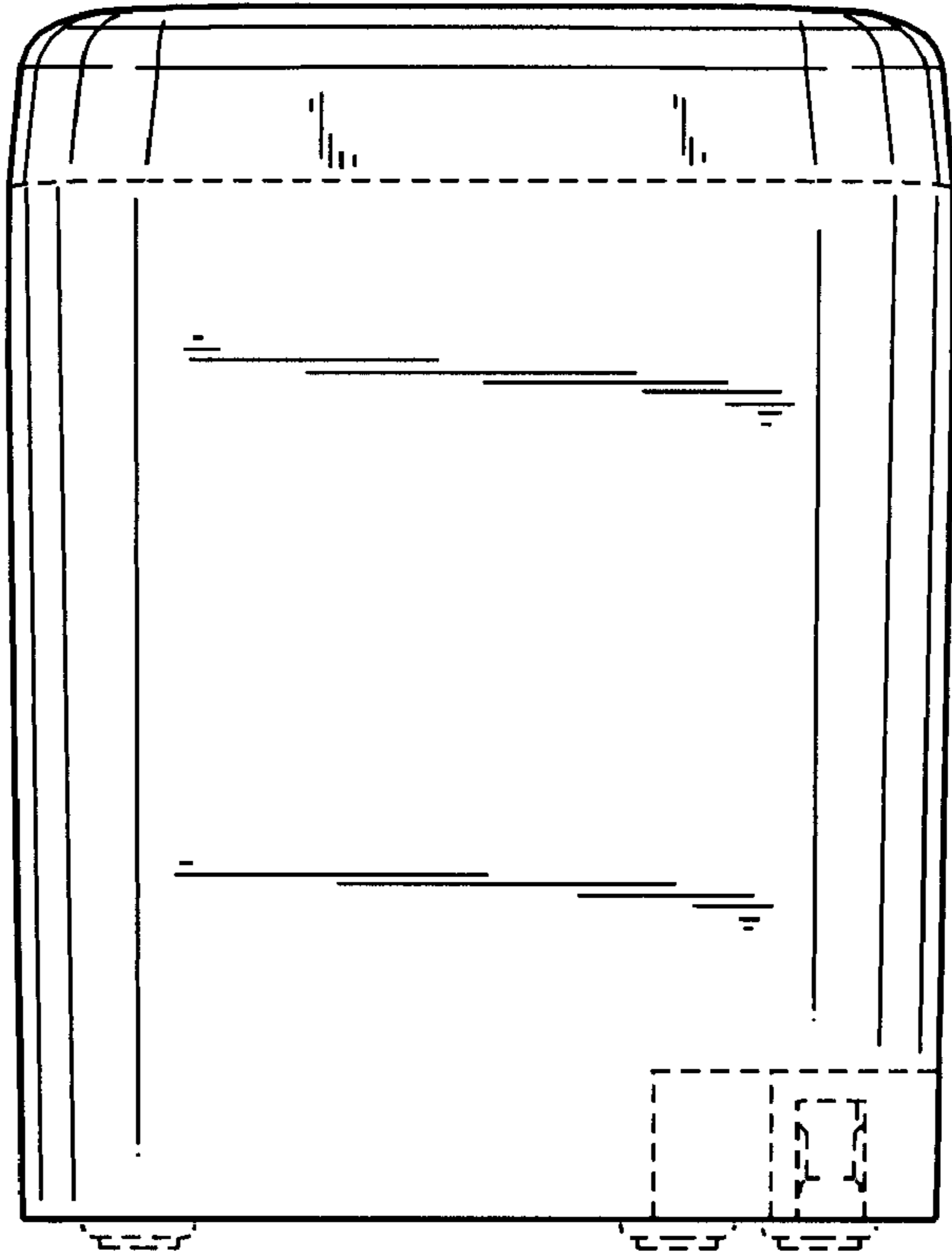


FIG. 7



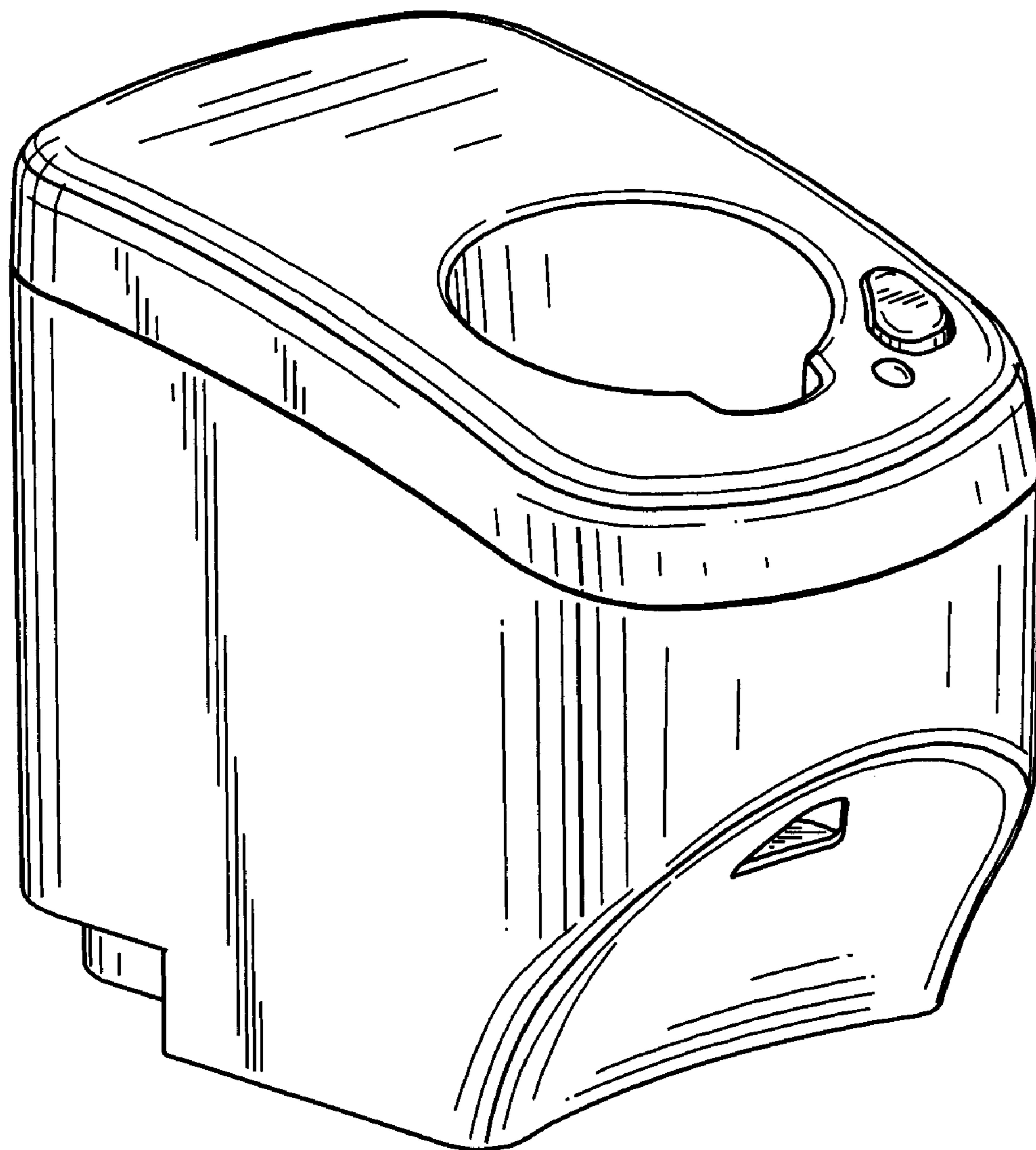


FIG. 8

FIG. 9

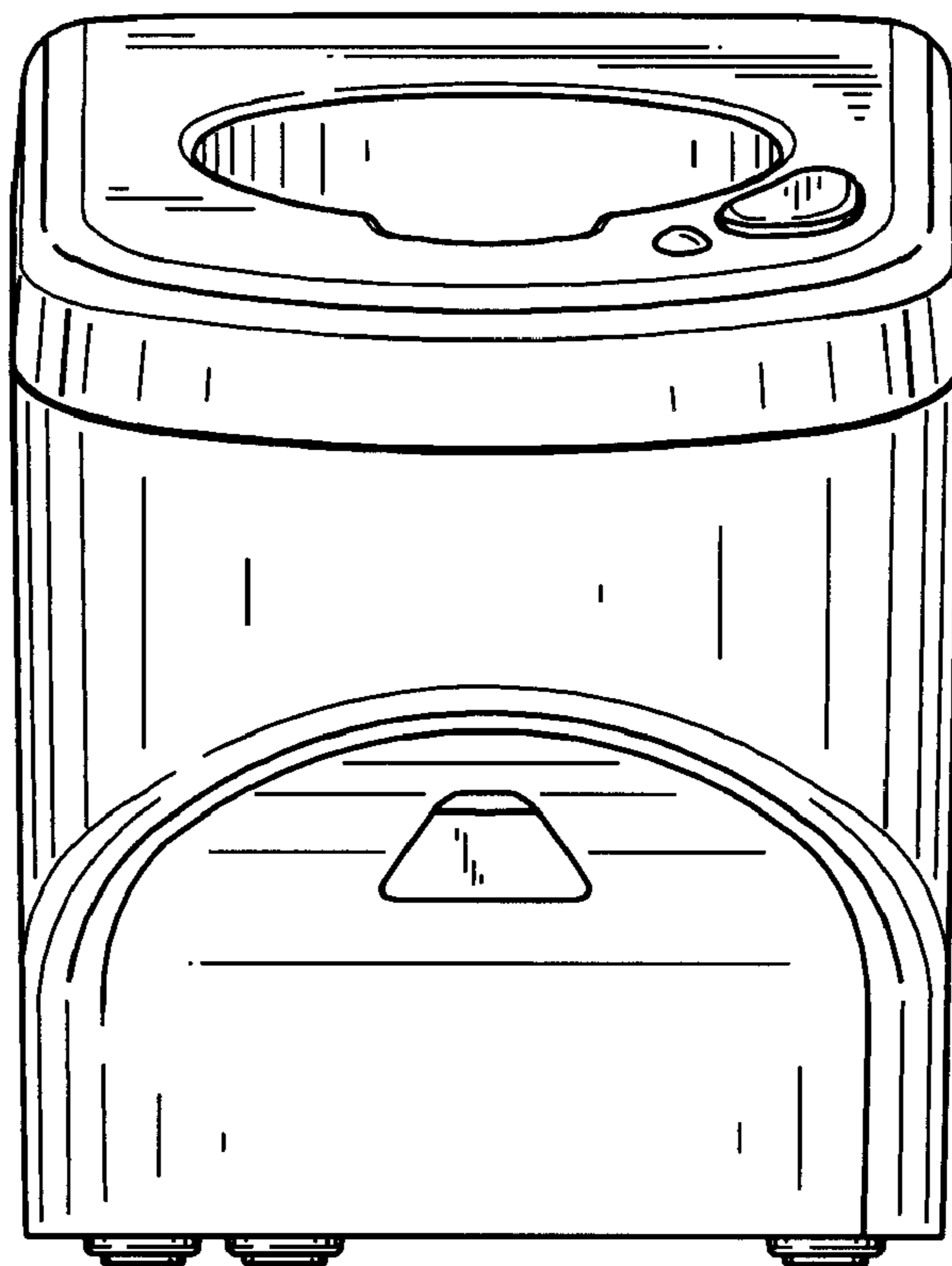


FIG. 10

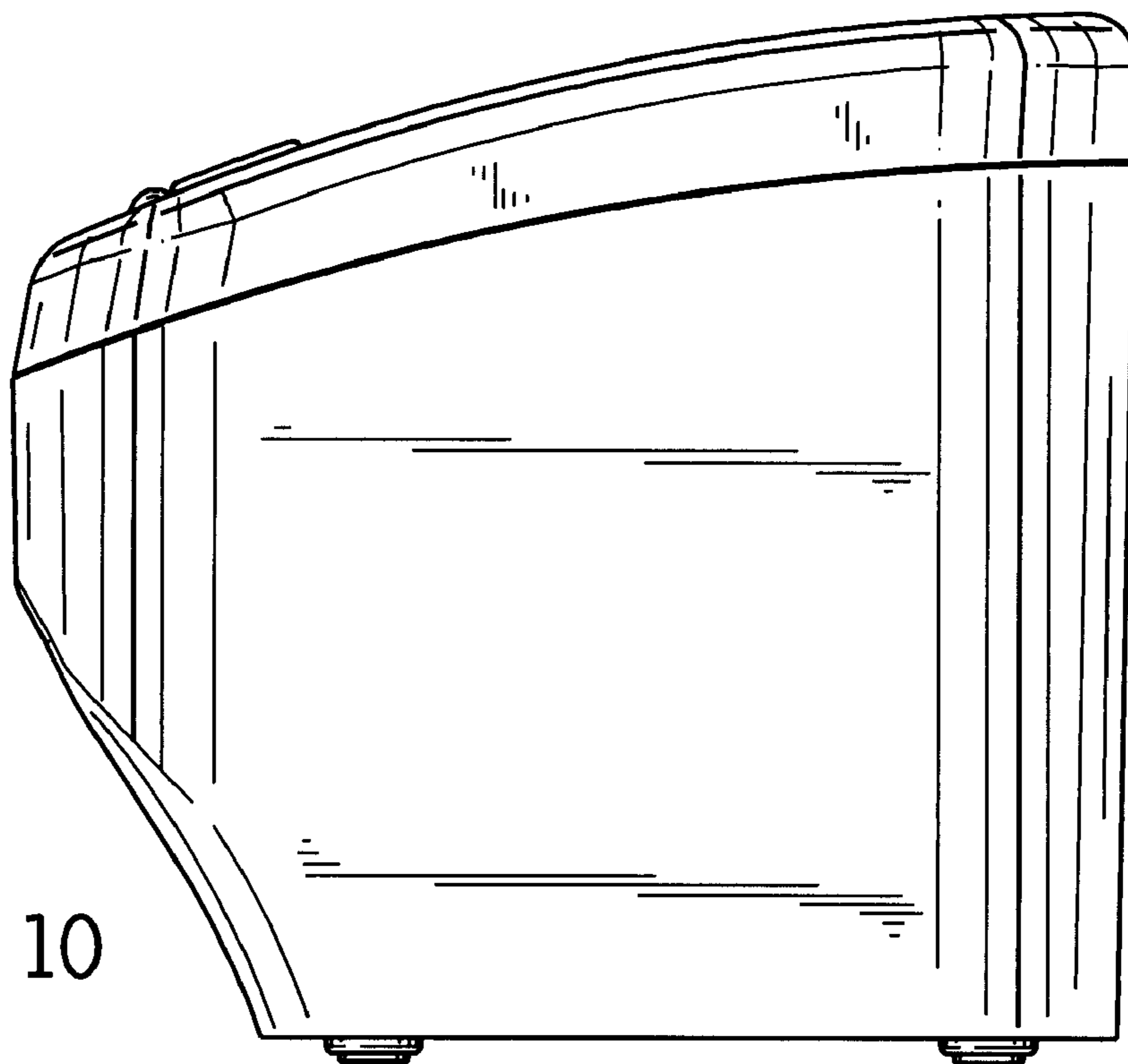


FIG. 11

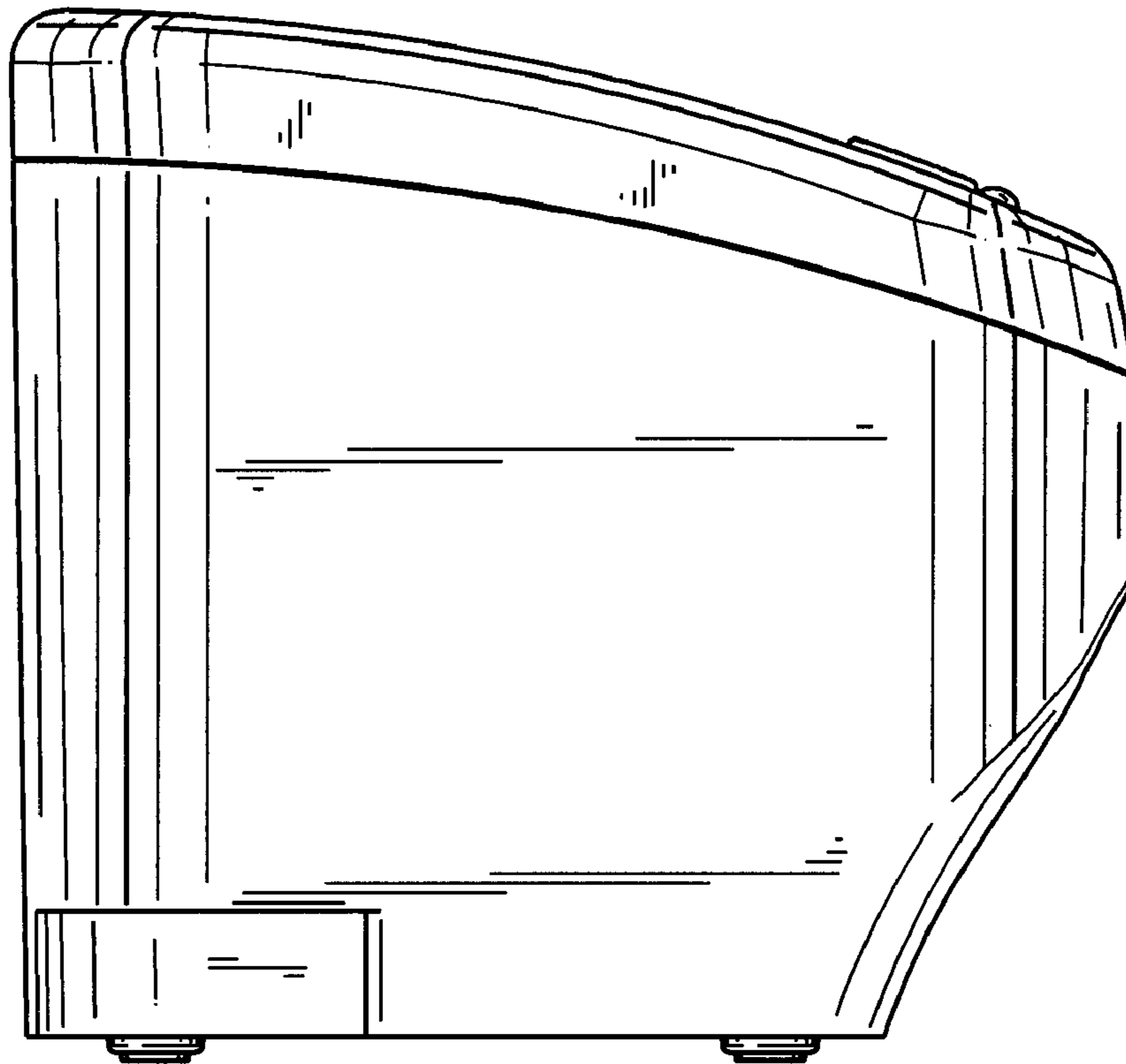


FIG. 12

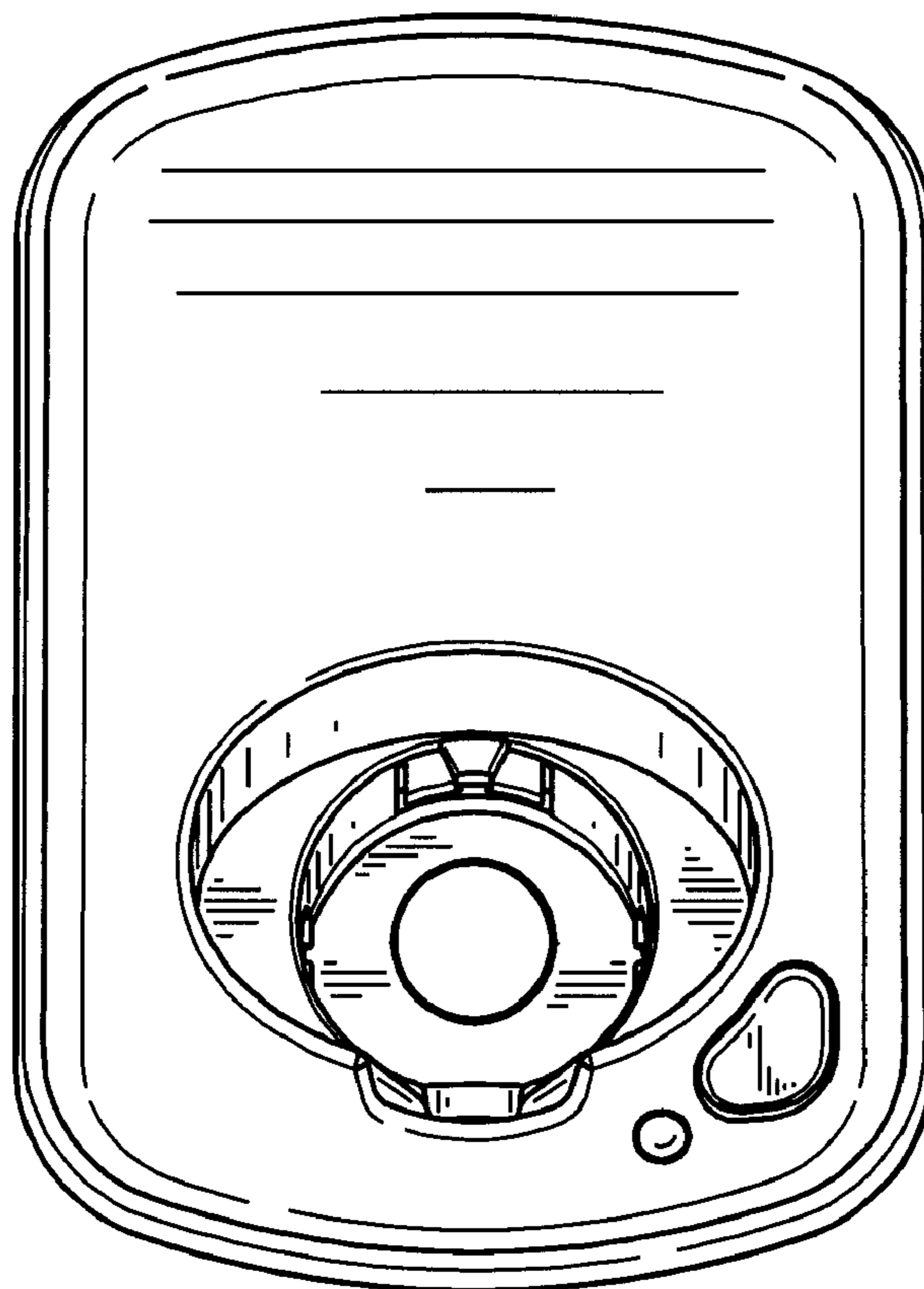


FIG. 13

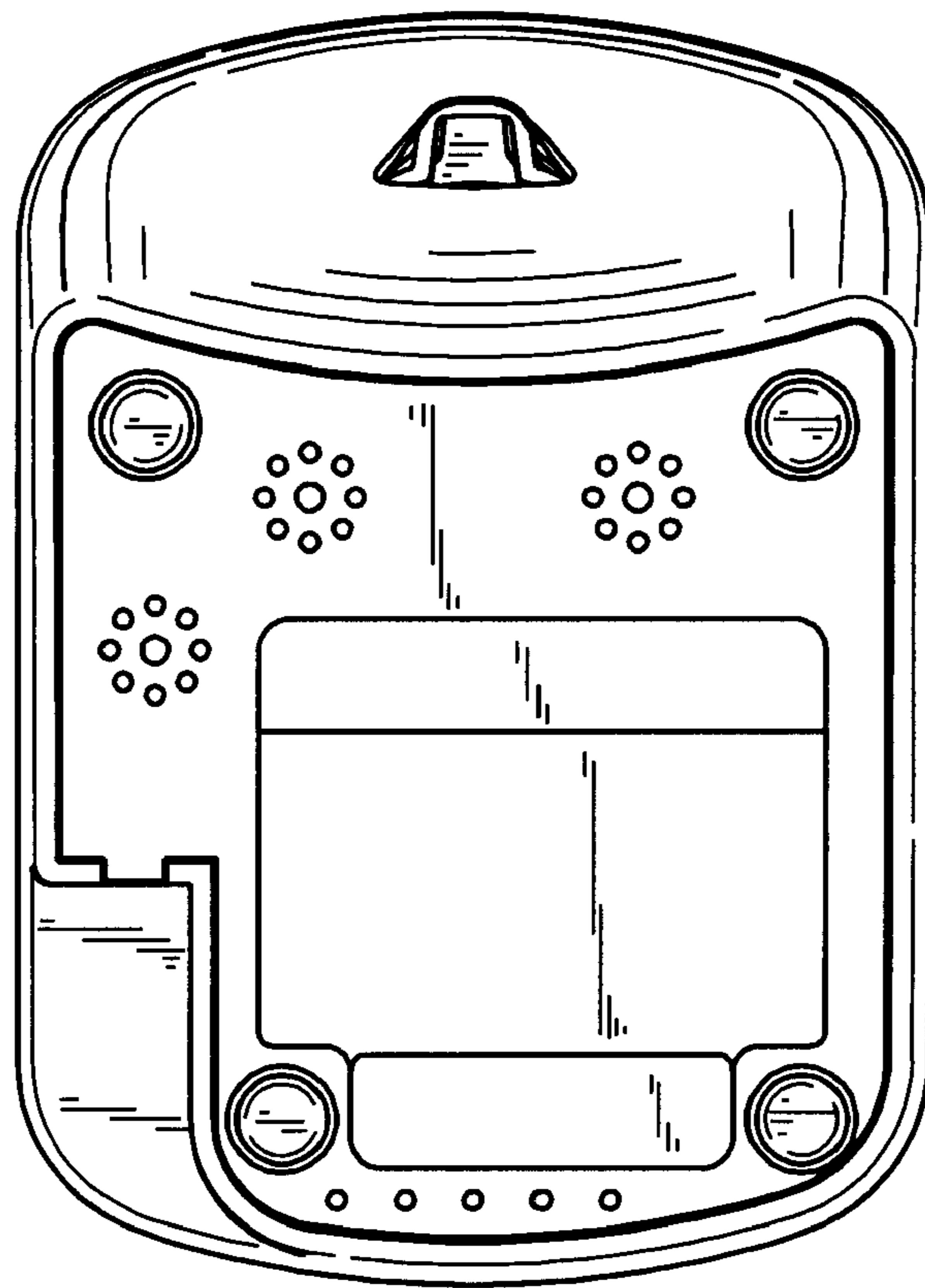


FIG. 14

