



US00D550489S

(12) **United States Design Patent**
Williams et al.

(10) **Patent No.:** **US D550,489 S**

(45) **Date of Patent:** **** Sep. 11, 2007**

(54) **TOILET TISSUE HOLDER**

(75) Inventors: **Emilie Williams**, Fishers, IN (US);
Anthony G. Spangler, Carmel, IN
(US); **Ashley Spangler**, Kansas City,
MO (US)

(73) Assignee: **Masco Corporation of Indiana**,
Indianapolis, IN (US)

(**) Term: **14 Years**

(21) Appl. No.: **29/275,935**

(22) Filed: **Jan. 10, 2007**

(51) **LOC (8) Cl.** **23-02**

(52) **U.S. Cl.** **D6/523**

(58) **Field of Classification Search** D6/546-550,
D6/518-519, 522-524; D8/300, 303, 315-321;
108/28-29; 211/13.1, 16, 60.1, 86.01, 87.01,
211/88.01, 88.04, 100, 105.1-105.2, 123,
211/181.1, 182; 248/175, 176.1, 251, 302;
16/110.1, 412, 415; 242/570, 590, 595-598
See application file for complete search history.

(56) **References Cited**

U.S. PATENT DOCUMENTS

D218,331 S * 8/1970 Hoernig D6/523
D439,779 S * 4/2001 Wu D6/523
D450,503 S * 11/2001 Gottwald D6/523

D454,456 S * 3/2002 Meck et al. D6/523
D455,588 S * 4/2002 Ou-Young D6/523
D465,366 S * 11/2002 Ouyoung D6/523
D477,167 S * 7/2003 Hoernig D6/523
D477,731 S * 7/2003 Hoernig D6/523
D486,681 S * 2/2004 Hoernig D6/523
D492,865 S * 7/2004 Graves et al. D6/523
D540,593 S * 4/2007 Hoernig D6/523

* cited by examiner

Primary Examiner—Brian N Vinson

(74) *Attorney, Agent, or Firm*—Leon E. Redman; Lloyd D.
Doigan

(57) **CLAIM**

The ornamental design for a toilet tissue holder, as shown
and described.

DESCRIPTION

FIG. 1 is a front perspective view of a toilet tissue holder
showing our new design;

FIG. 2 is a front elevational view thereof;

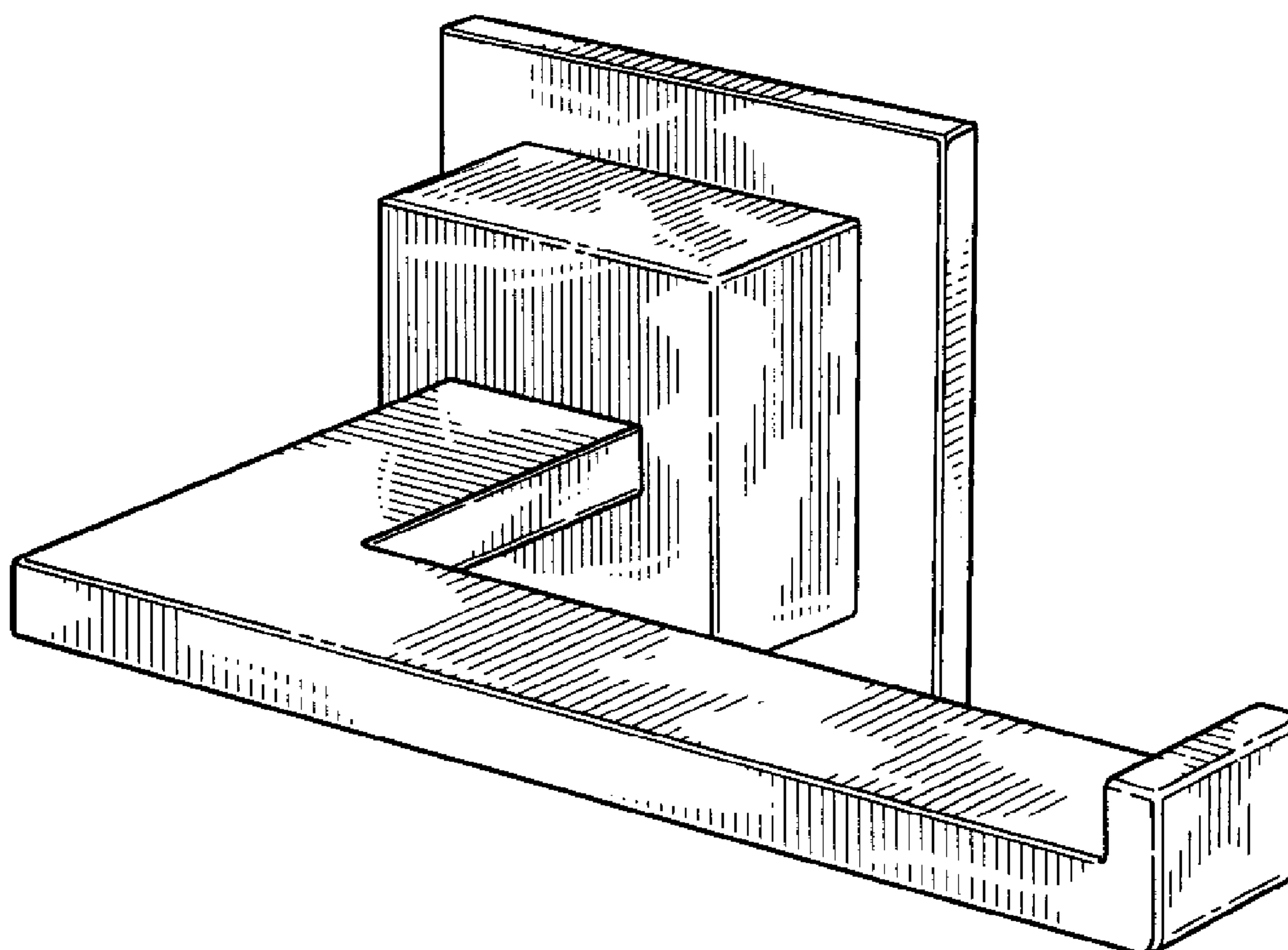
FIG. 3 is a left side elevational view thereof;

FIG. 4 is a right side elevational view thereof;

FIG. 5 is a top plan view thereof; and,

FIG. 6 is a bottom plan view thereof.

1 Claim, 5 Drawing Sheets



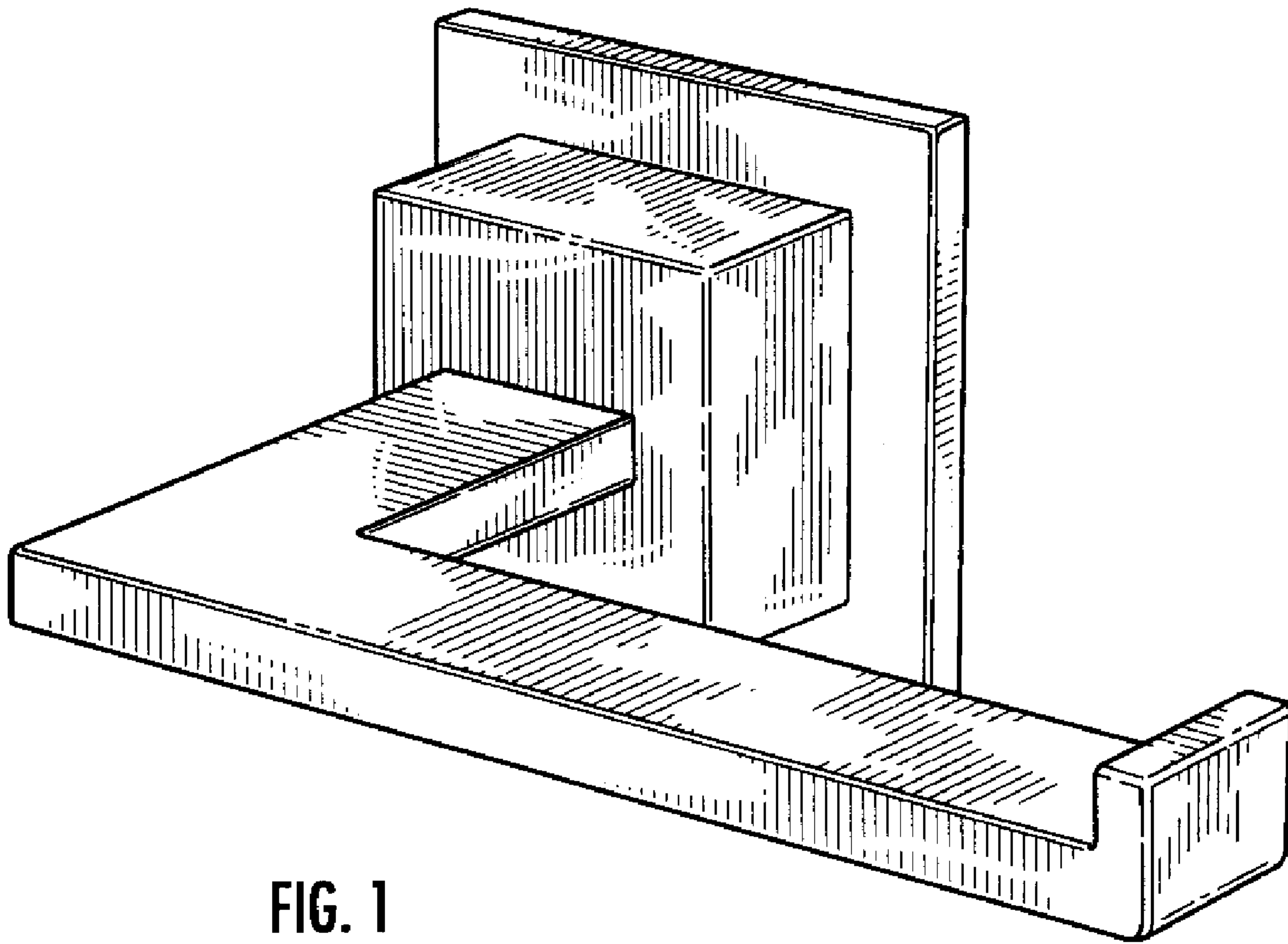


FIG. 1

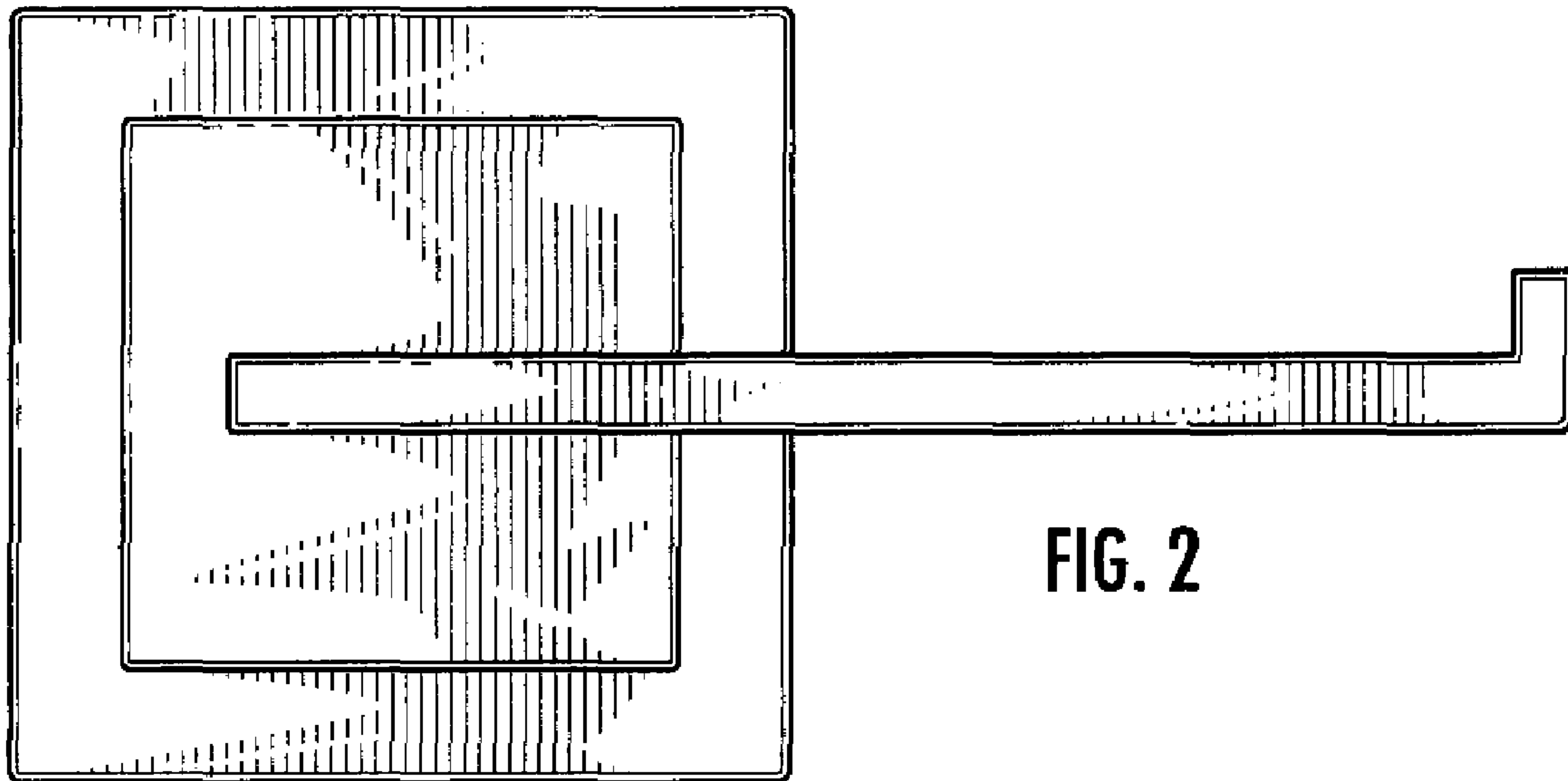


FIG. 2

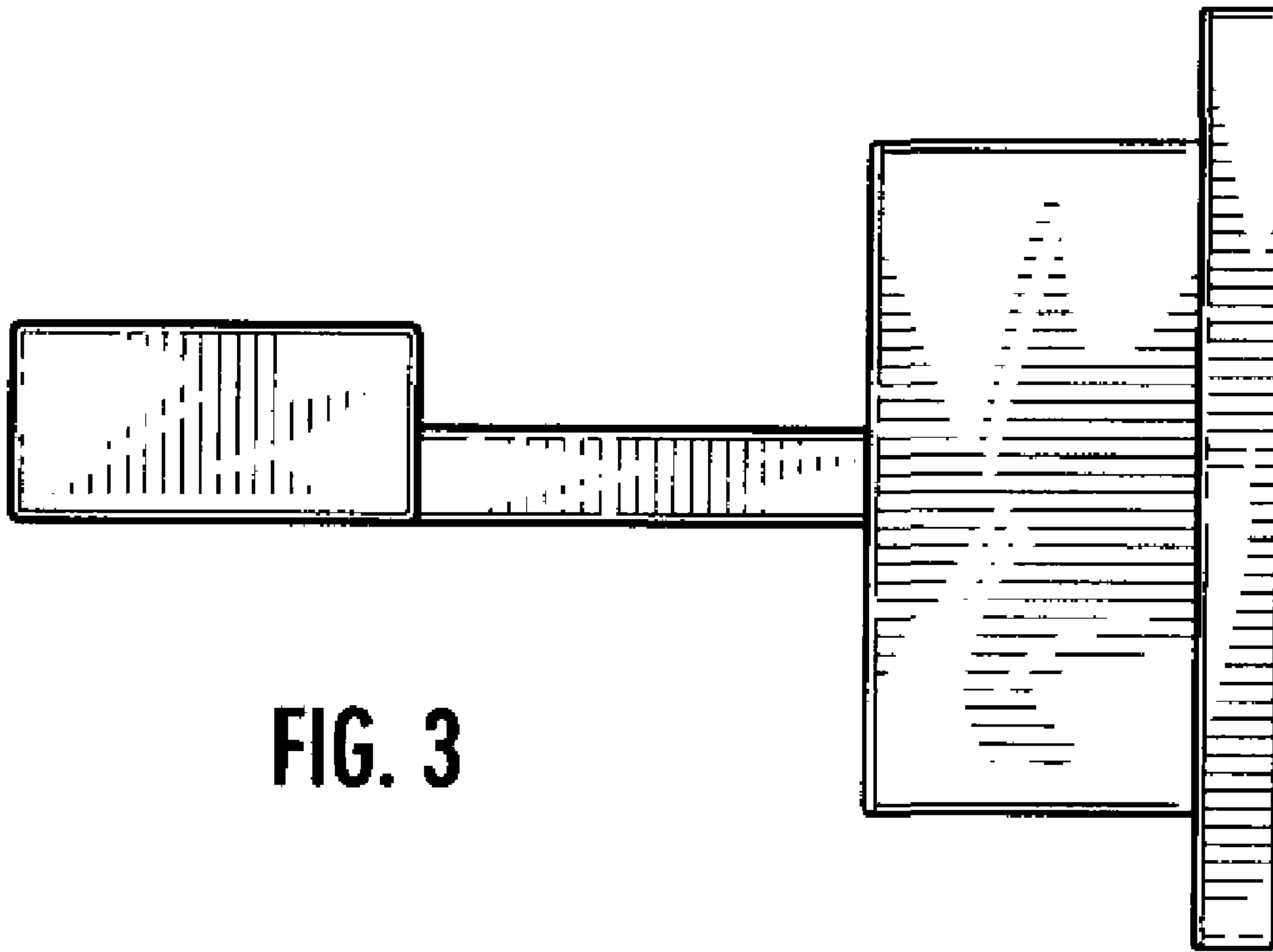


FIG. 3

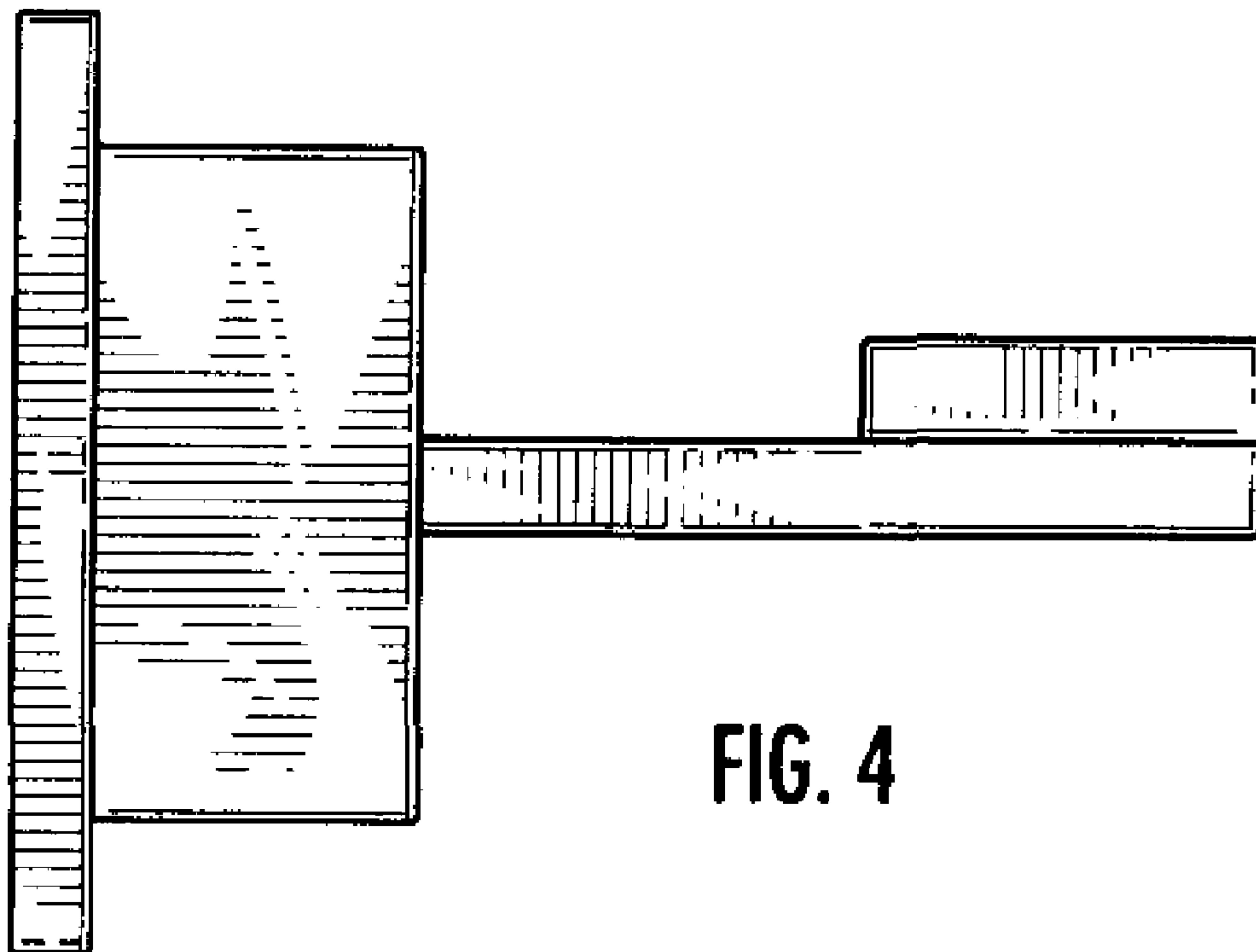


FIG. 4

