



US00D550487S

(12) **United States Design Patent** (10) **Patent No.:** **US D550,487 S**  
**Mesalic** (45) **Date of Patent:** **\*\* Sep. 11, 2007**

(54) **DISPENSER FOR BACK OF HIGH CHAIR AND OTHER SURFACES**

(74) *Attorney, Agent, or Firm*—Samuel Digirolamo; Blackwell Sanders LLP

(75) Inventor: **Admir James Mesalic**, Las Vegas, NV (US)

(57) **CLAIM**

(73) Assignee: **Classy Kid, Inc.**, North Las Vegas, NV (US)

The ornamental design for a dispenser for back of high chair and other surfaces, as shown and described.

(\*\*) Term: **14 Years**

**DESCRIPTION**

(21) Appl. No.: **29/254,272**

FIG. 1 is a perspective view of a dispenser for back of high chair and other surfaces showing my new design.

(22) Filed: **Feb. 21, 2006**

FIG. 2 is a perspective view of the dispenser of FIG. 1 showing the dispenser in its open position.

(51) **LOC (8) Cl.** ..... **20-02**

FIG. 3 is a front elevational view thereof.

(52) **U.S. Cl.** ..... **D6/518**

FIG. 4 is a rear elevational view thereof.

(58) **Field of Classification Search** ..... D6/515–523;  
D9/600, 730, 734, 769, 500–501, 414, 430,  
D9/499, 901; 206/0.8, 214, 45.21, 581, 233;  
222/92, 173, 183, 206; 221/33, 45, 64, 282,  
221/284

FIG. 5 is a left side elevational view thereof.

FIG. 6 is a right side elevational view thereof.

FIG. 7 is a top plan view thereof.

FIG. 8 is a bottom plan view thereof.

See application file for complete search history.

FIG. 9 is a perspective view of another embodiment of the dispenser for back of high chair and other surfaces of FIGS. 1–8 showing my new design.

(56) **References Cited**

**U.S. PATENT DOCUMENTS**

D56,730 S *	12/1920	Teall	.....	D7/631
D187,955 S *	5/1960	Restaino et al.	.....	D6/515
3,068,055 A *	12/1962	Lenzi et al.	.....	D7/631
D200,661 S *	3/1965	Ema	.....	D6/519
D212,041 S *	8/1968	Sharpe	.....	D7/631
6,431,360 B1	8/2002	Julius		
6,610,966 B2	8/2003	Julius		
D493,965 S	8/2004	Kuester		
6,978,918 B2	12/2005	Scanlan et al.		
7,021,825 B1	4/2006	Schultz		
2005/0127085 A1	6/2005	Patterson		

FIG. 10 is a perspective view of the dispenser of FIG. 9 showing the dispenser in its open position.

FIG. 11 is a front elevational view thereof.

FIG. 12 is a rear elevational view thereof.

FIG. 13 is a left side elevational view thereof.

FIG. 14 is a right side elevational view thereof.

FIG. 15 is a top plan view thereof; and,

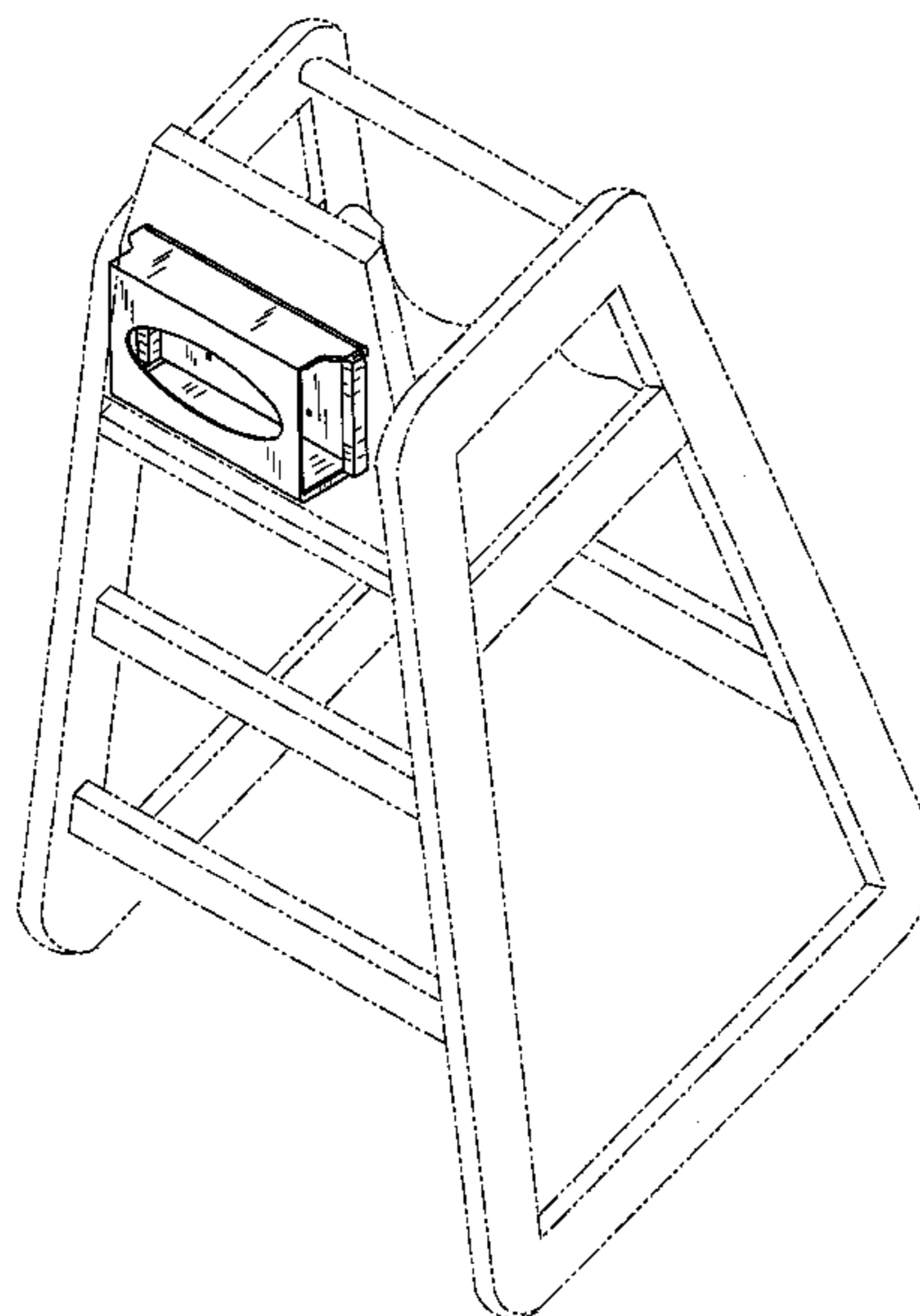
FIG. 16 is a bottom plan view thereof.

The broken lines showing a high chair are for illustrative purposes only and form no part of the claimed design.

\* cited by examiner

*Primary Examiner*—Brian N Vinson

**1 Claim, 4 Drawing Sheets**



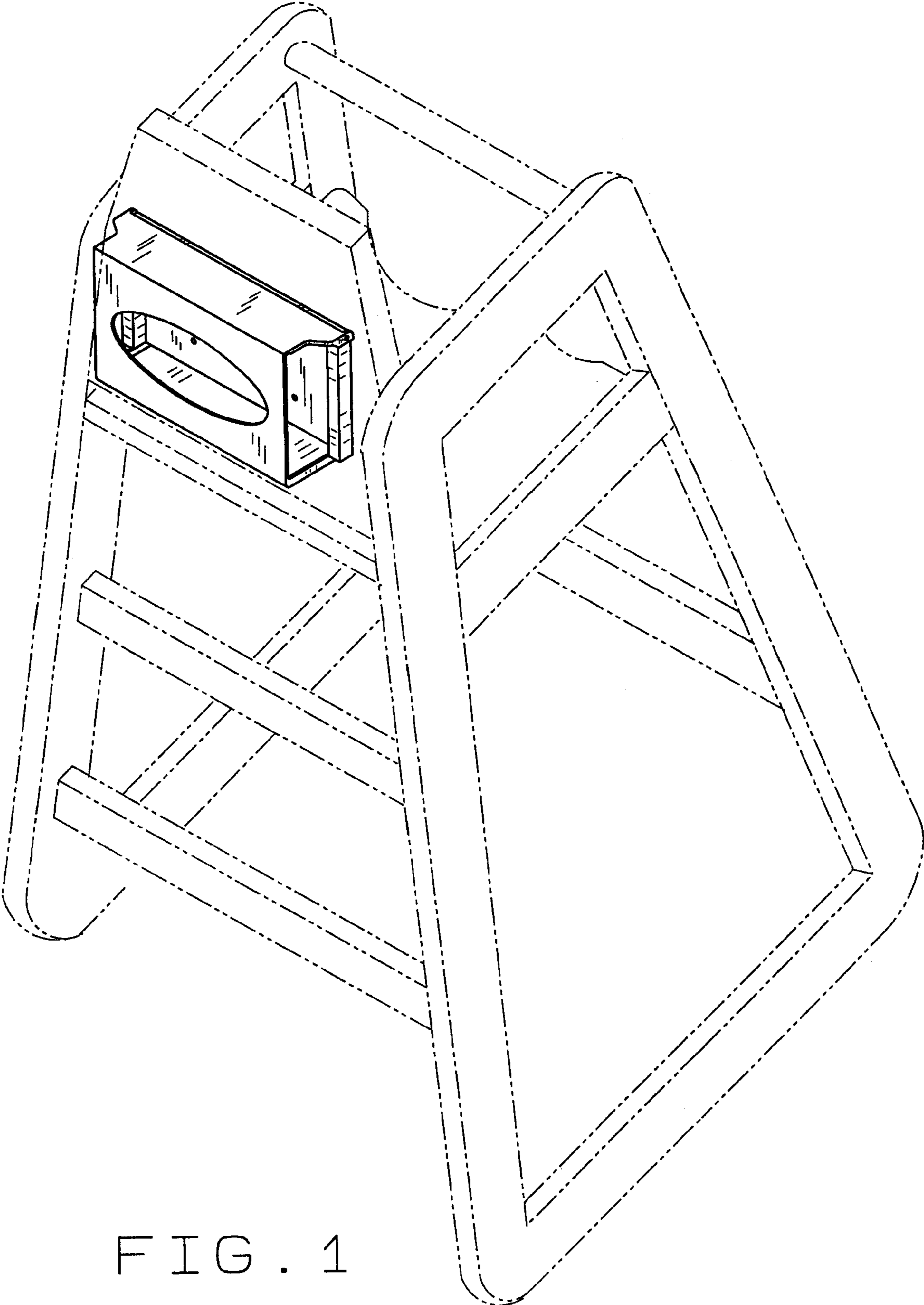


FIG. 1

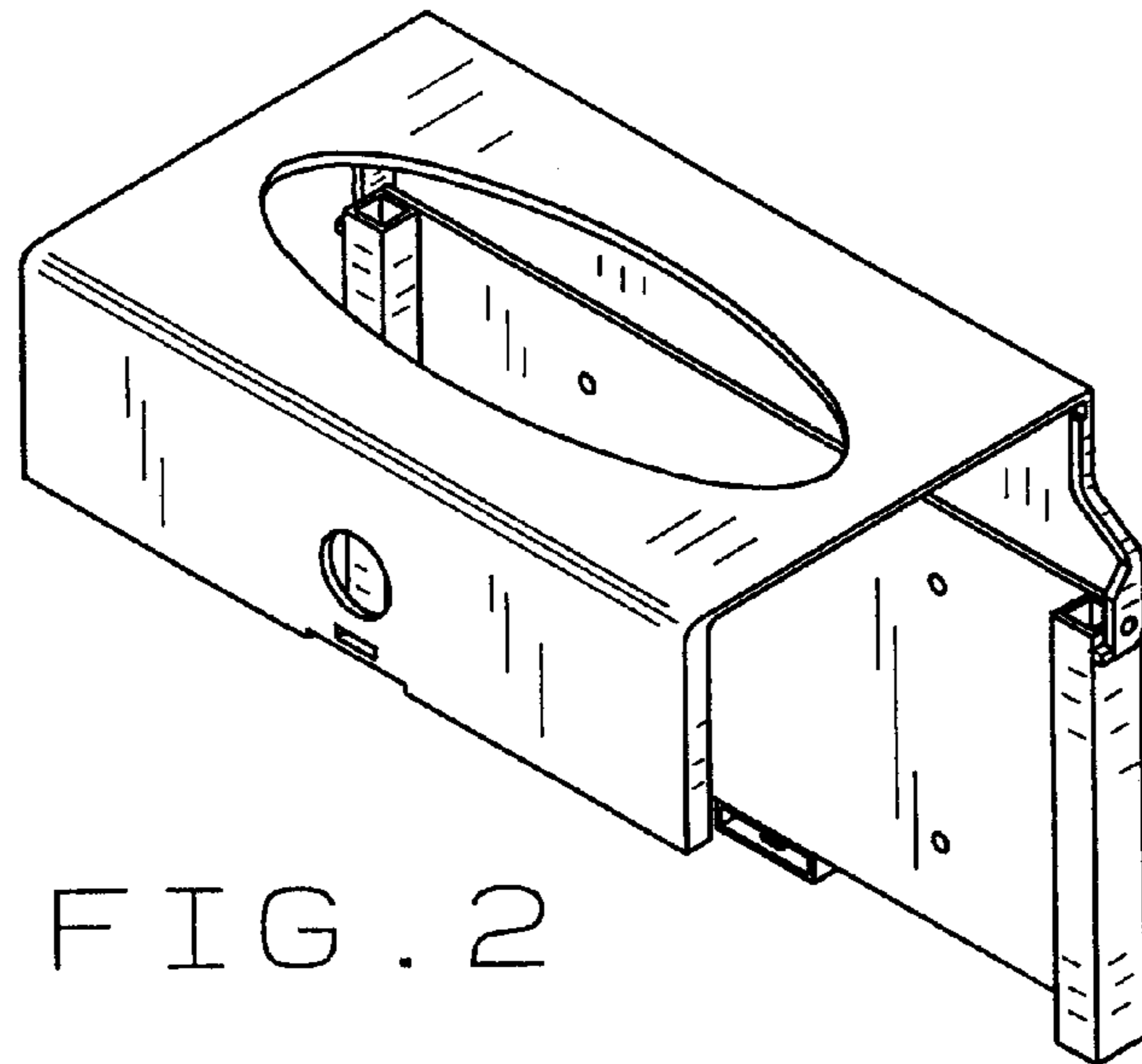


FIG. 2

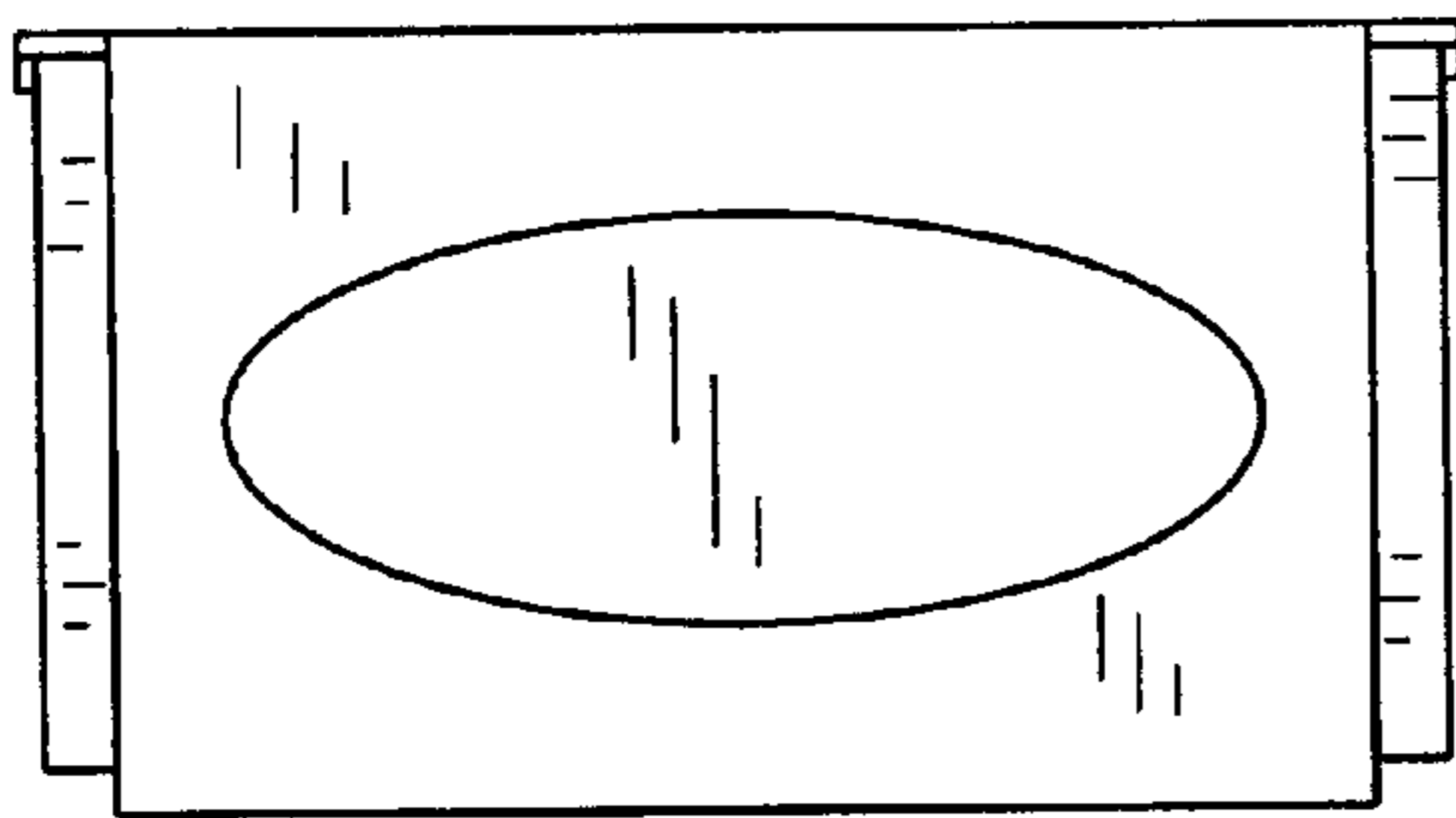


FIG. 3

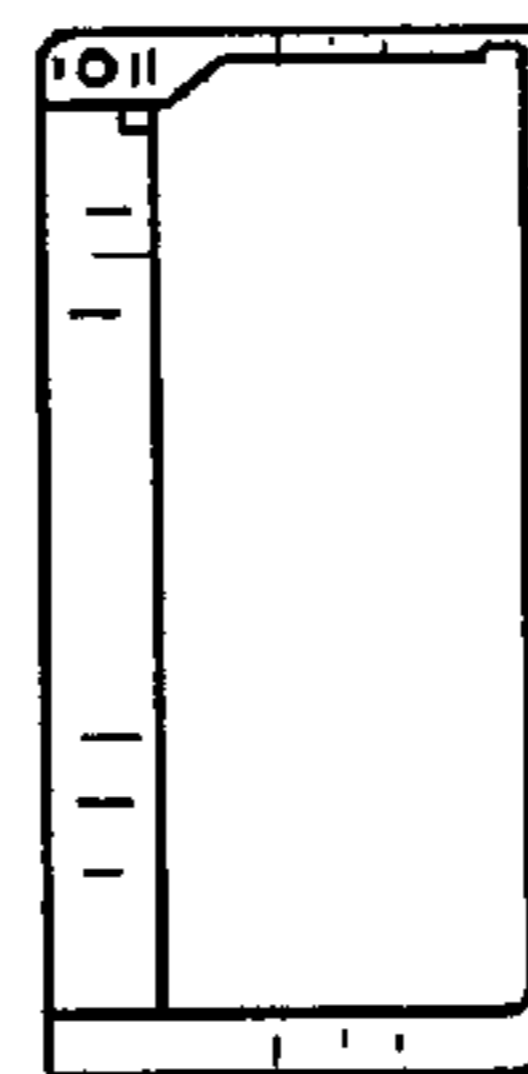


FIG. 5

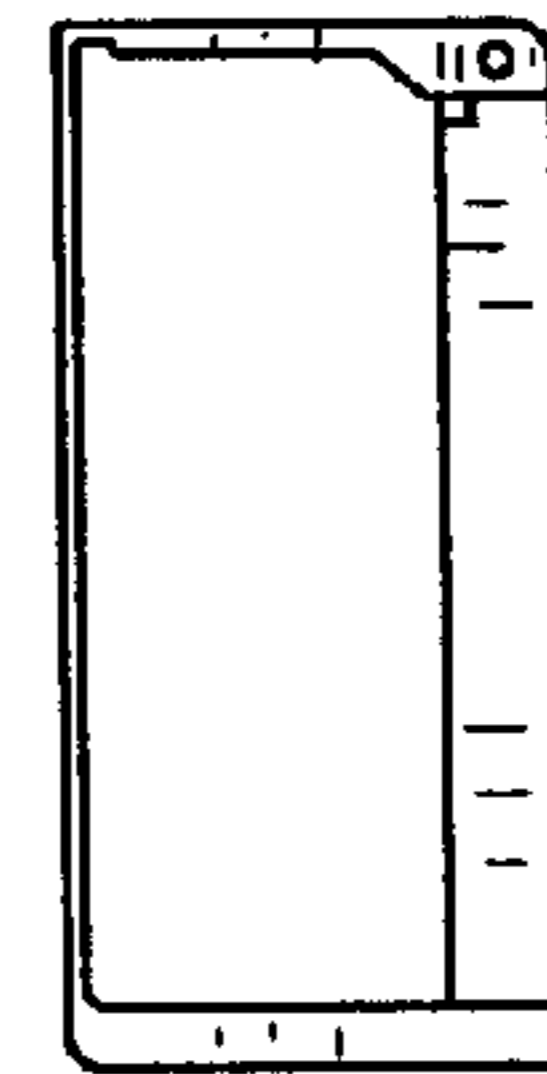


FIG. 6

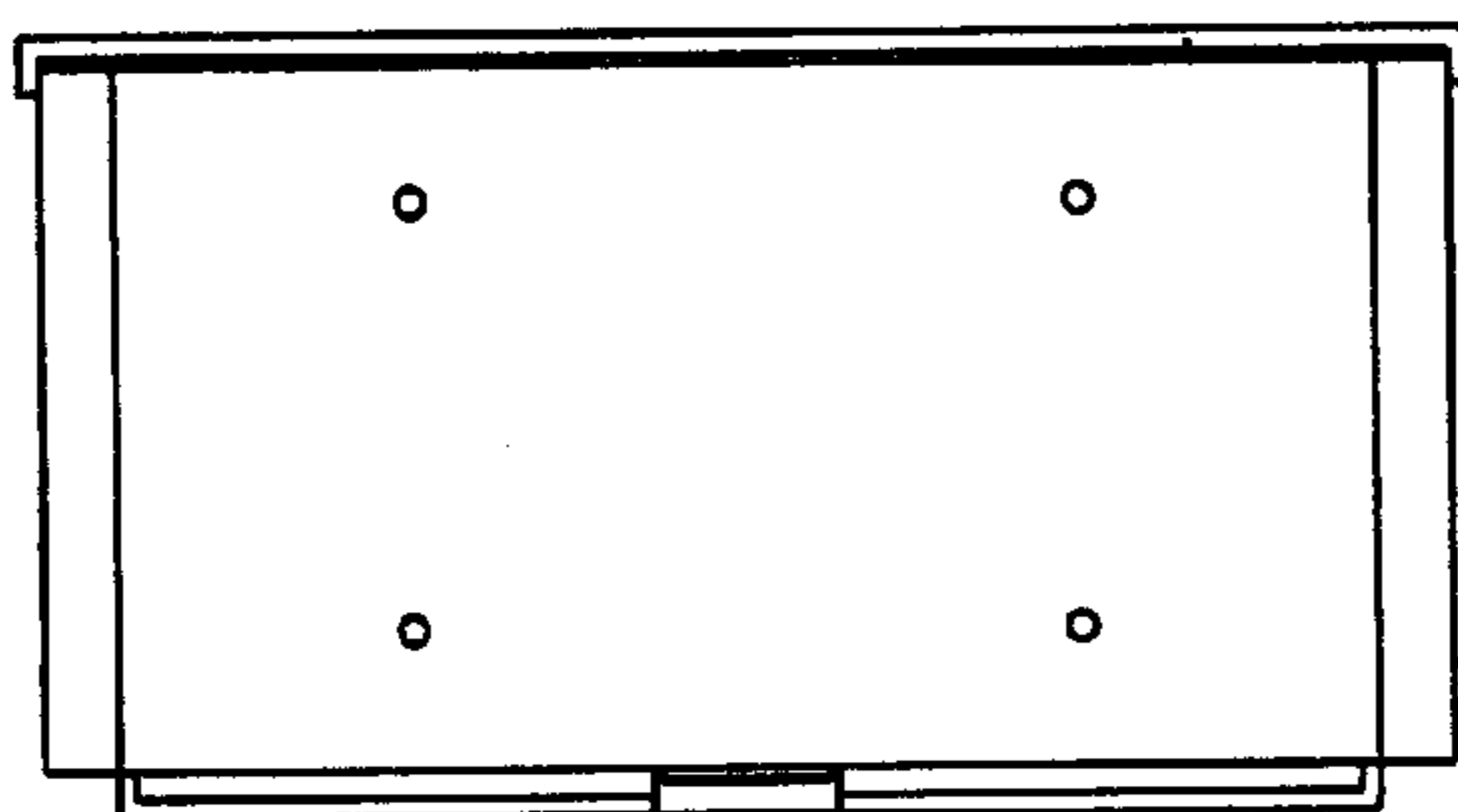


FIG. 4

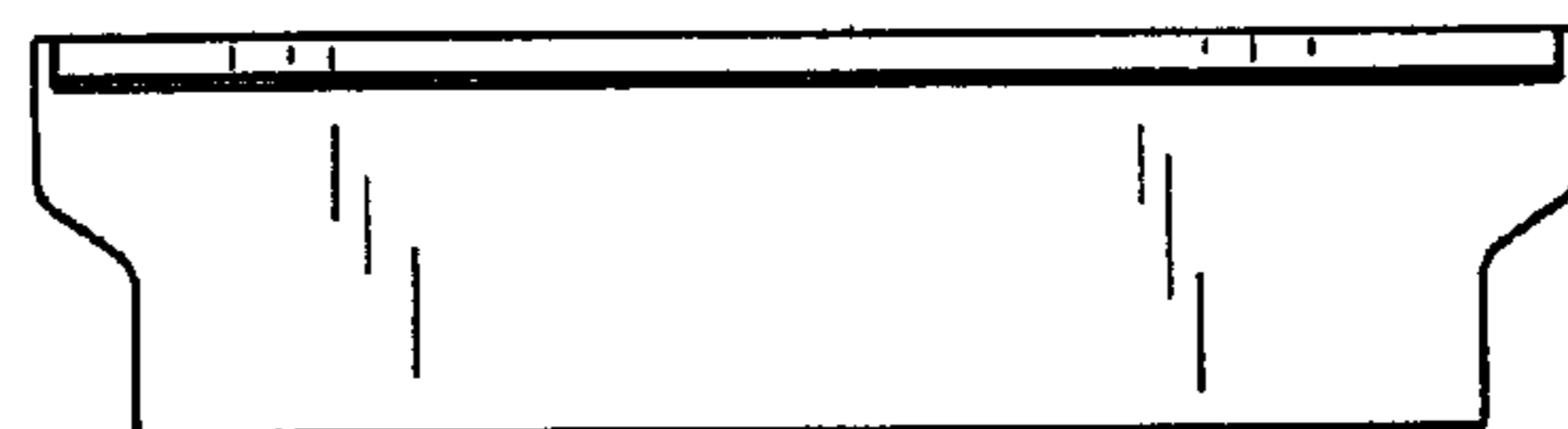


FIG. 7

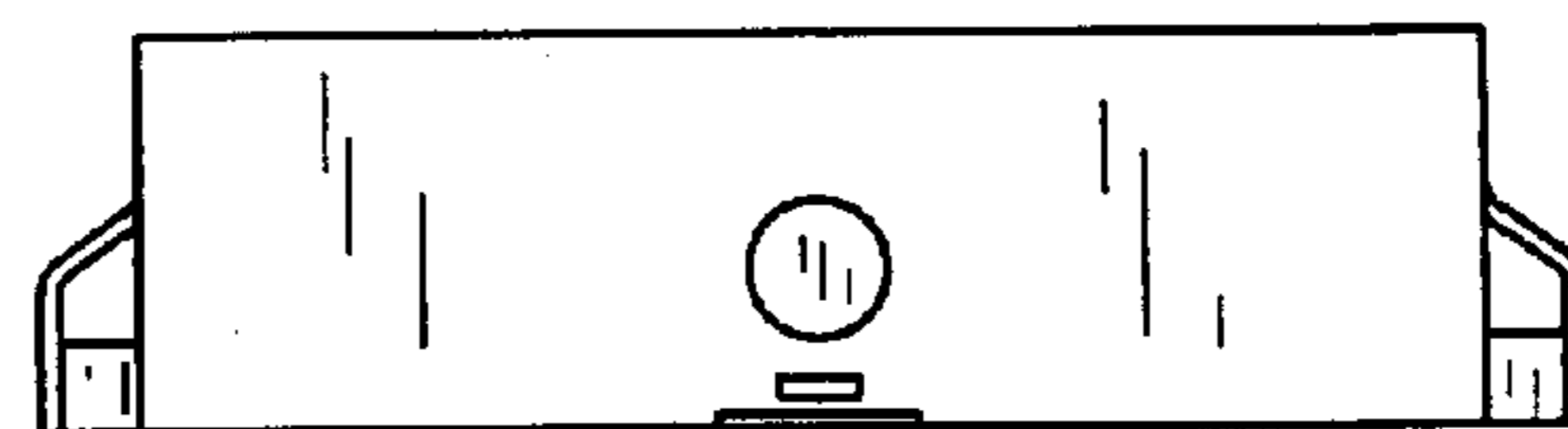


FIG. 8

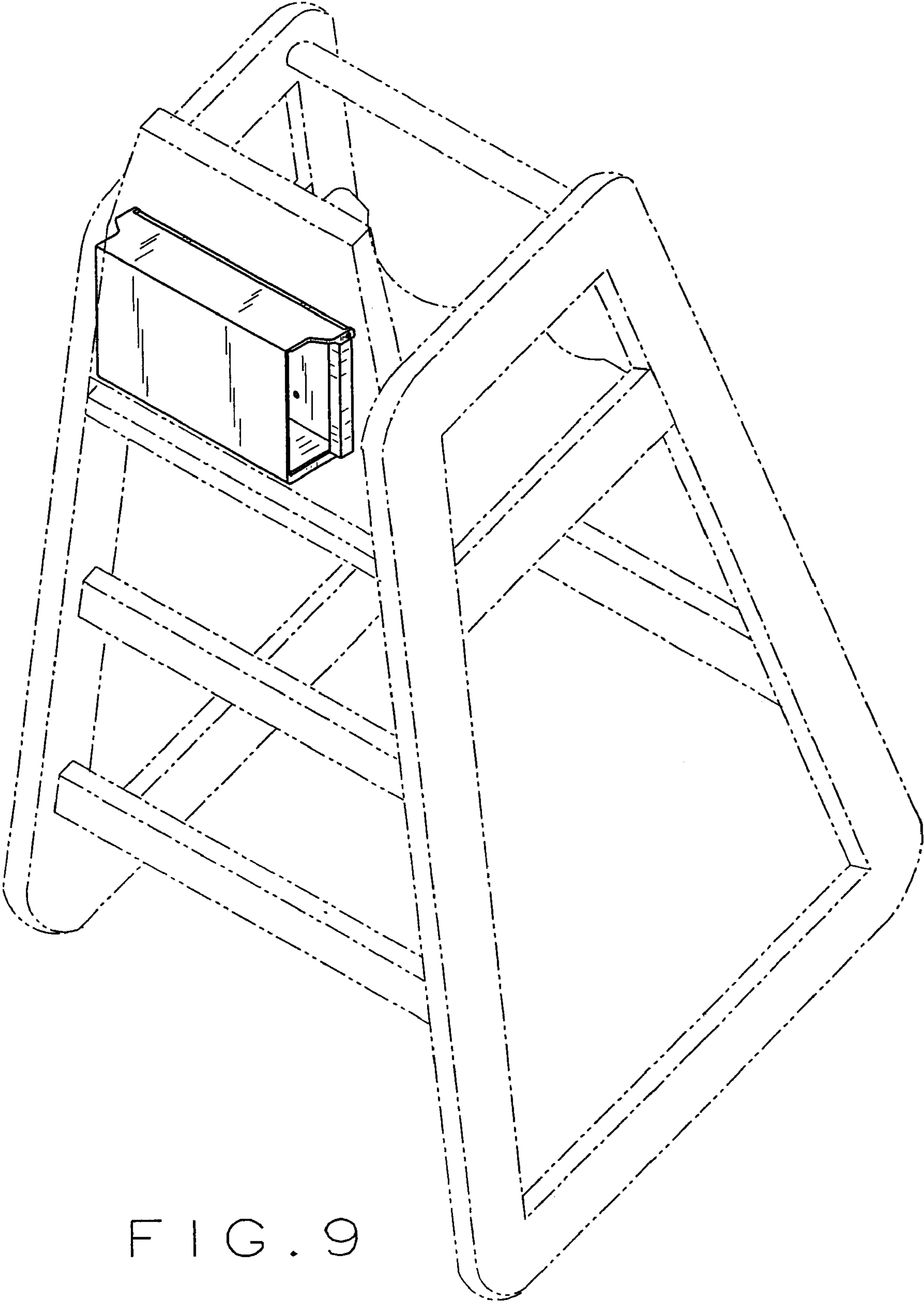


FIG. 9

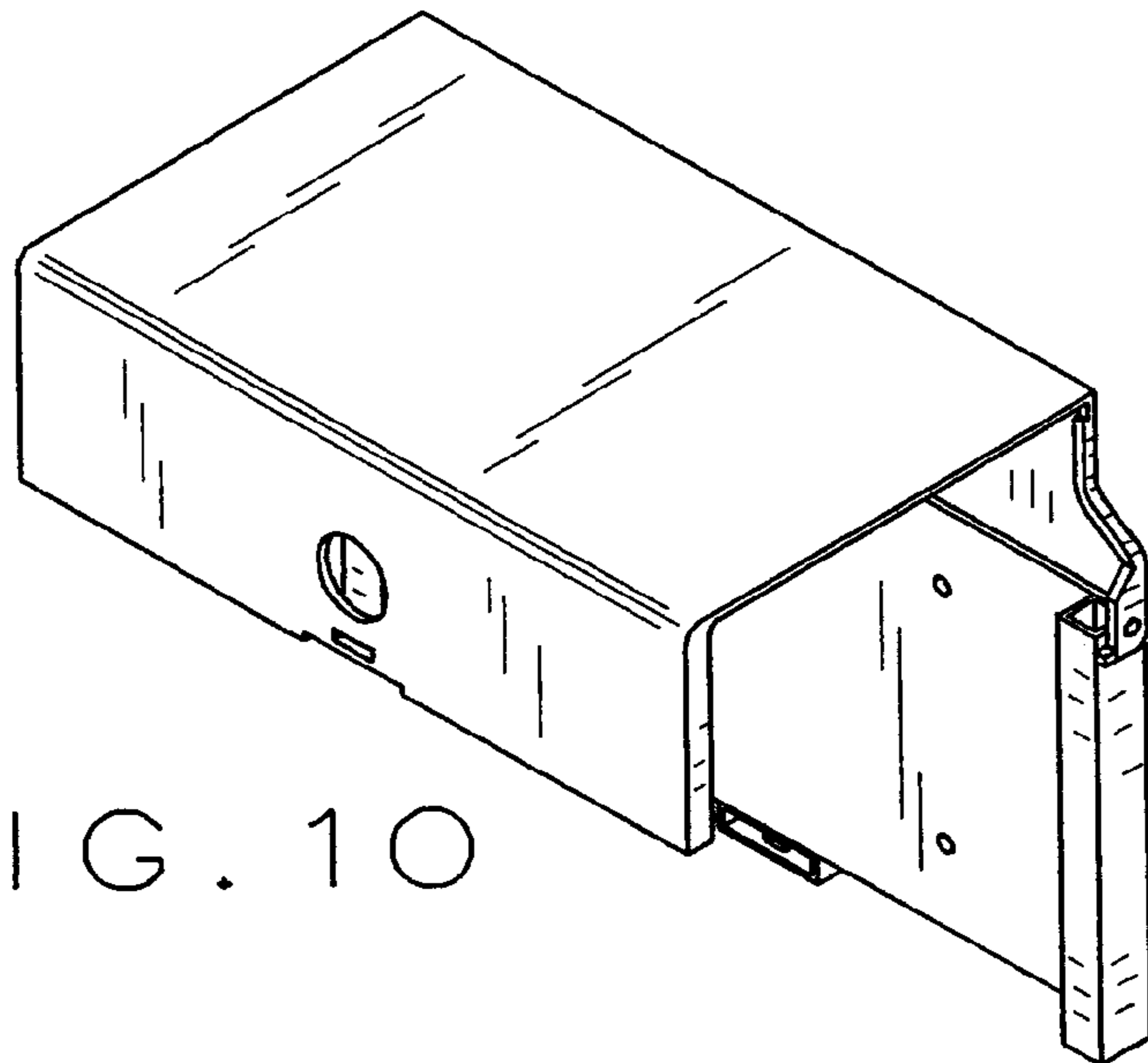


FIG. 10

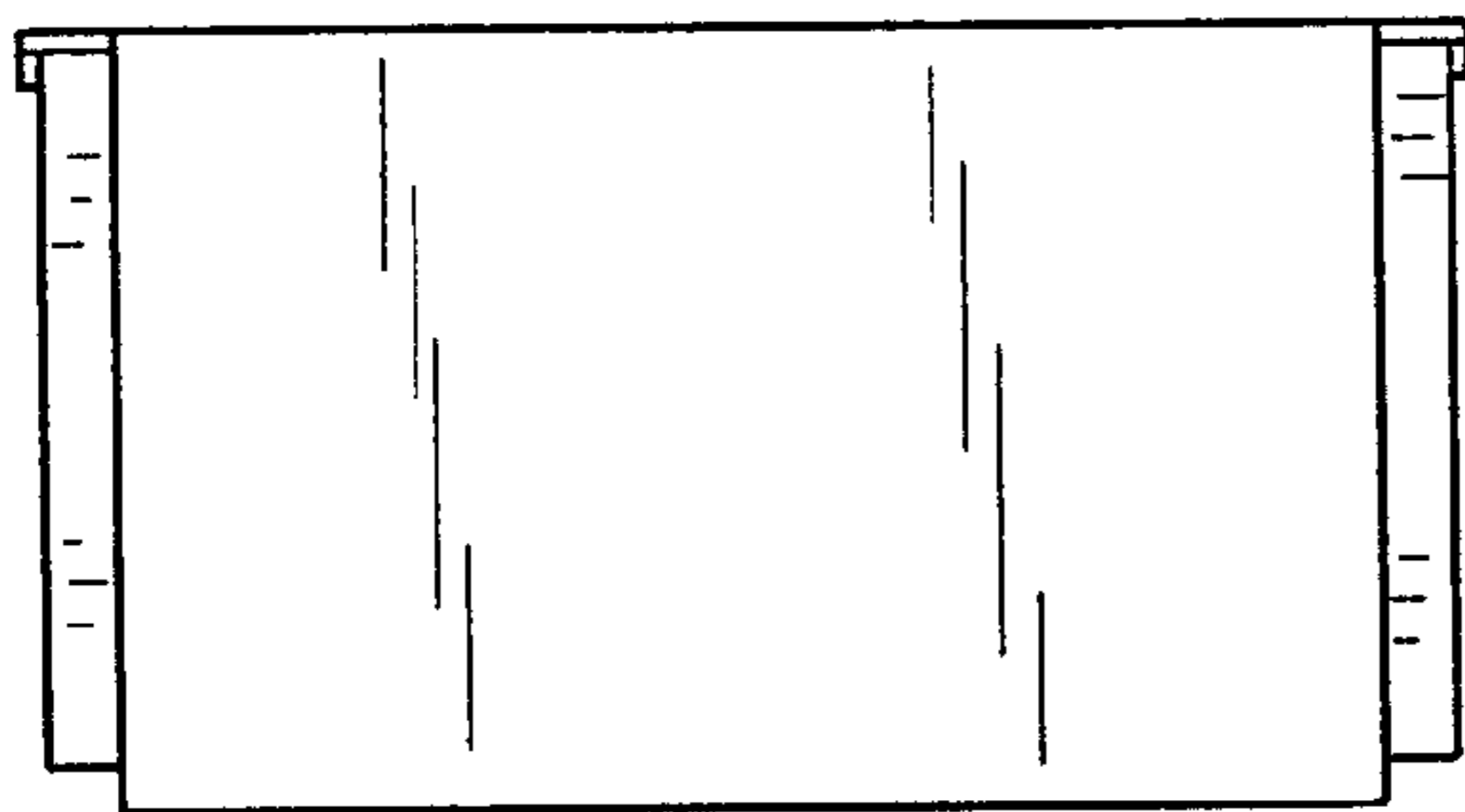


FIG. 11

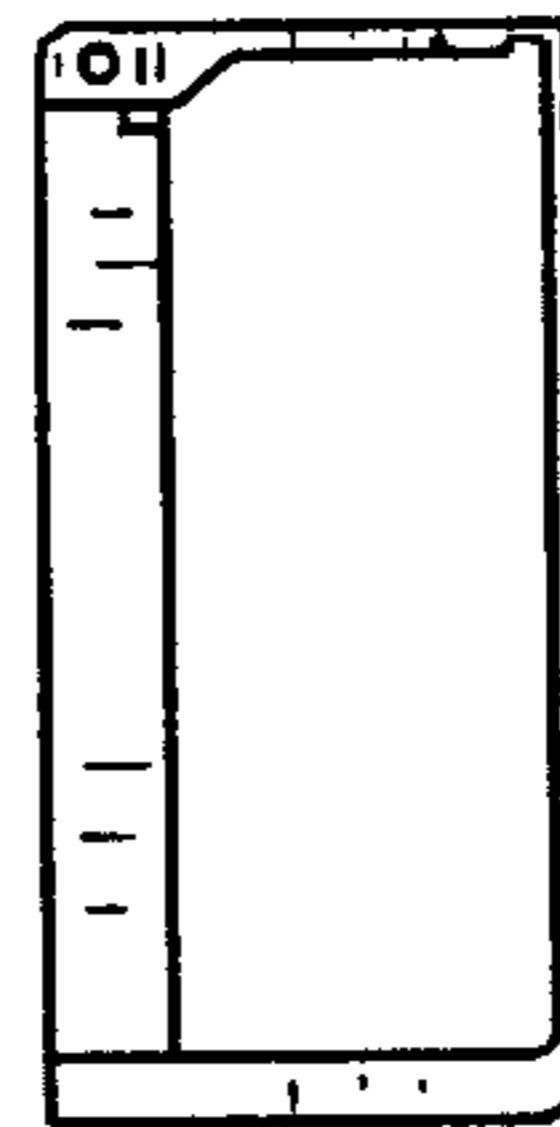


FIG. 13

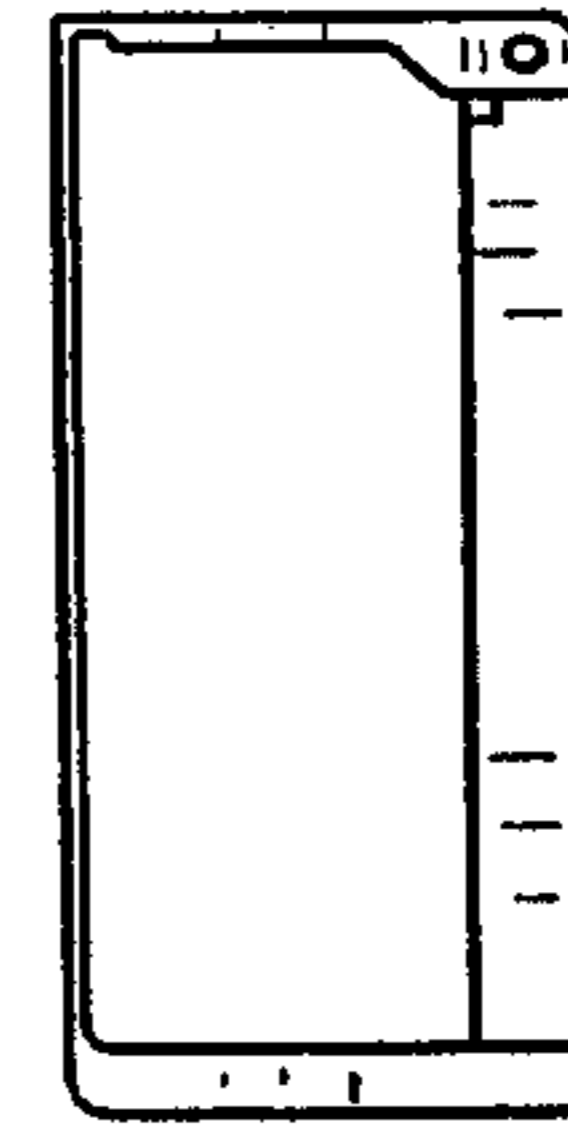


FIG. 14

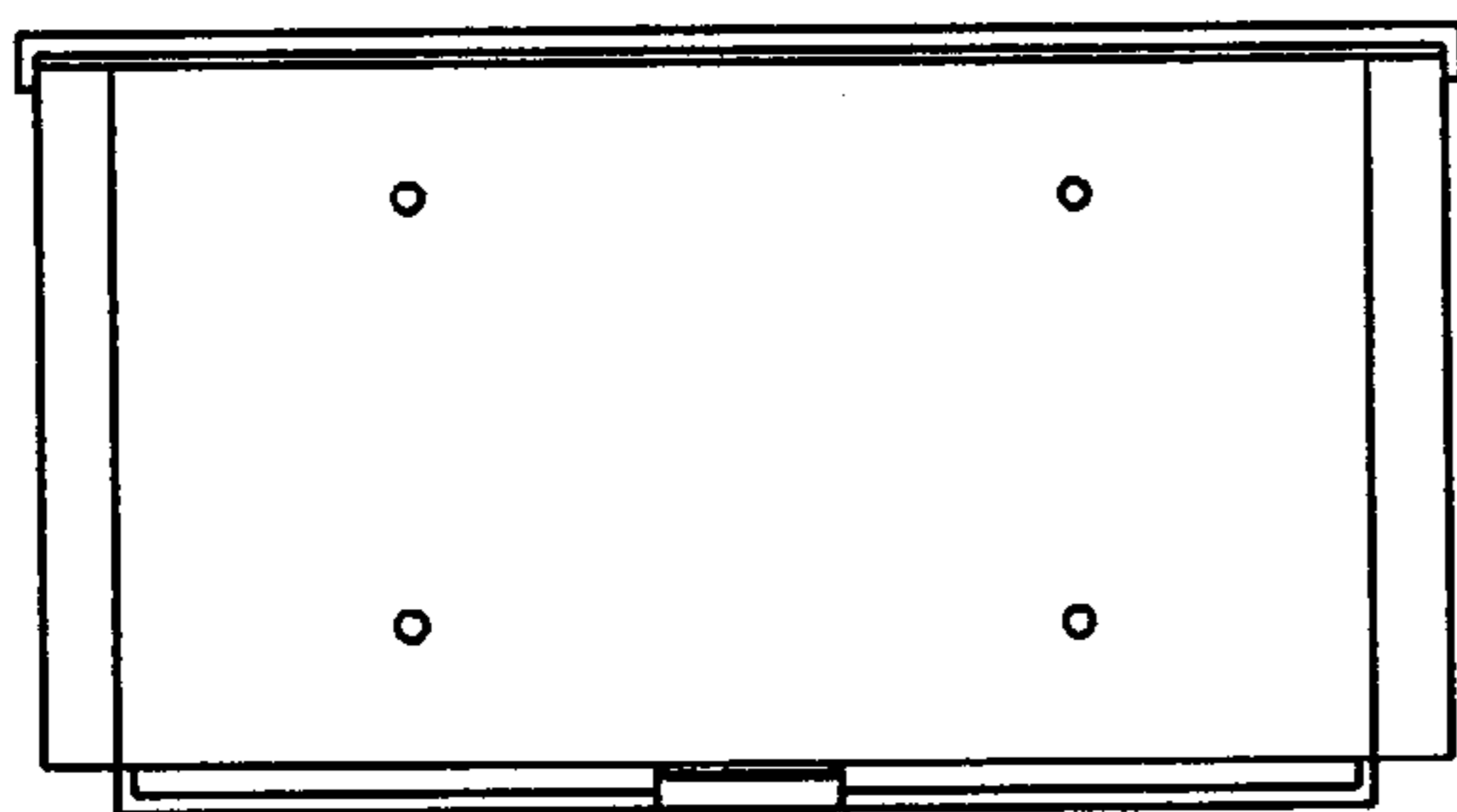


FIG. 12

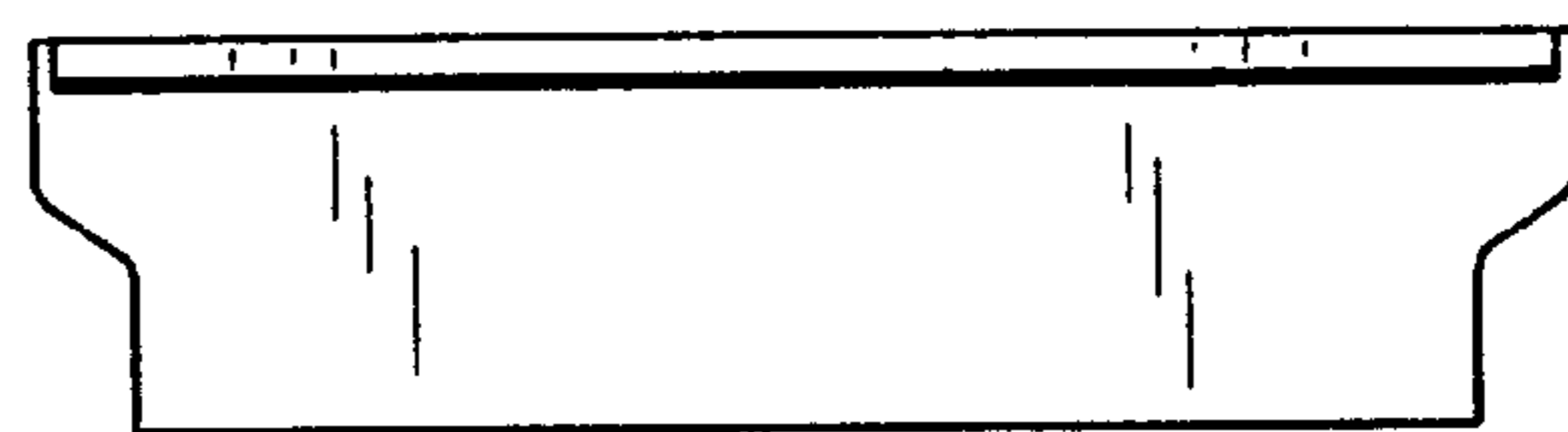


FIG. 15

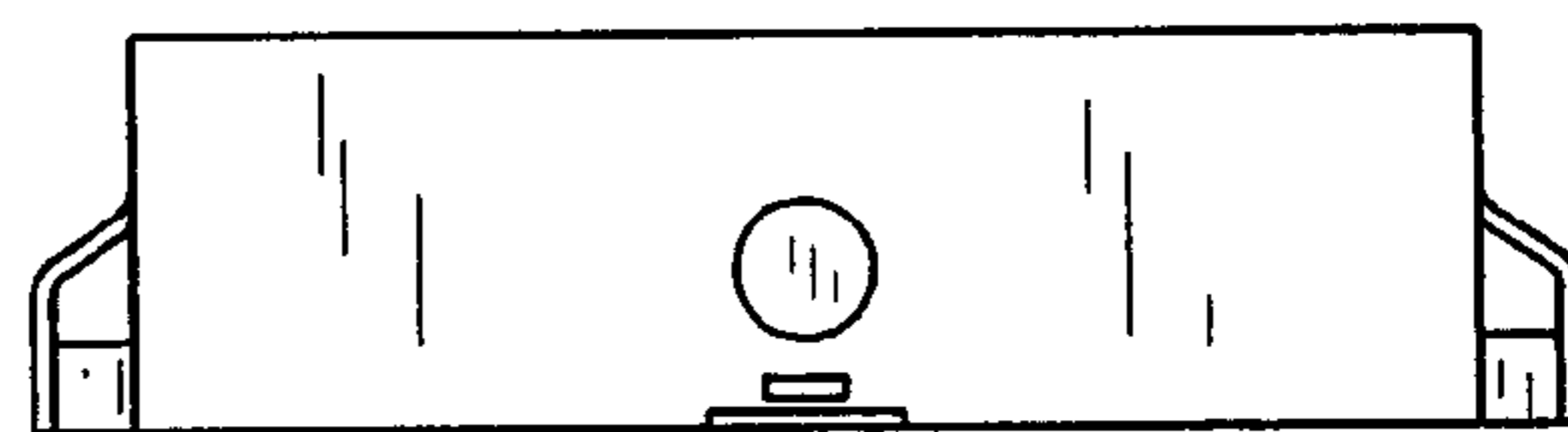


FIG. 16