



US00D550486S

(12) **United States Design Patent**
Palmquist

(10) **Patent No.:** **US D550,486 S**

(45) **Date of Patent:** **** Sep. 11, 2007**

(54) **TABLE**

(75) Inventor: **Mark S. Palmquist**, Washington, DC
(US)

(73) Assignee: **Becker Designed, Inc.**, Chantilly, VA
(US)

(**) Term: **14 Years**

(21) Appl. No.: **29/247,460**

(22) Filed: **Jun. 20, 2006**

(51) **LOC (8) Cl.** **06-06**

(52) **U.S. Cl.** **D6/511**

(58) **Field of Classification Search** D6/480-489,
D6/495-499, 511, 429, 477; 108/150, 153.1,
108/155, 156, 157.1, 161; 248/188, 188.1,
248/188.8

See application file for complete search history.

(56) **References Cited**

U.S. PATENT DOCUMENTS

3,004,571	A	*	10/1961	Gerbrandt	269/302
D197,722	S	*	3/1964	Crawford	D6/482
D349,618	S	*	8/1994	Barfield	D6/482
D470,345	S	*	2/2003	Muller	D6/477
D491,388	S	*	6/2004	Muller	D6/482

OTHER PUBLICATIONS

www.europebynet.com, spiral table by Cattelan Italia, Wayback
machine date of Feb. 6, 2005.*
Interiors, Dec. 1987, p. 146, table.*

* cited by examiner

Primary Examiner—Janice E. Seeger
(74) *Attorney, Agent, or Firm*—Design IP

(57) **CLAIM**

The ornamental design for a table, as shown and described.

DESCRIPTION

FIG. 1 is a perspective view of a first embodiment of an ornamental design for a table showing my new design;

FIG. 2 is a top orthographic view thereof;

FIG. 3 is a front orthographic view thereof;

FIG. 4 is a rear orthographic view thereof;

FIG. 5 is a left side orthographic view thereof;

FIG. 6 is a right side orthographic view thereof;

FIG. 7 is a perspective view of a second embodiment of my new design;

FIG. 8 is a top orthographic view thereof;

FIG. 9 is a front orthographic view thereof;

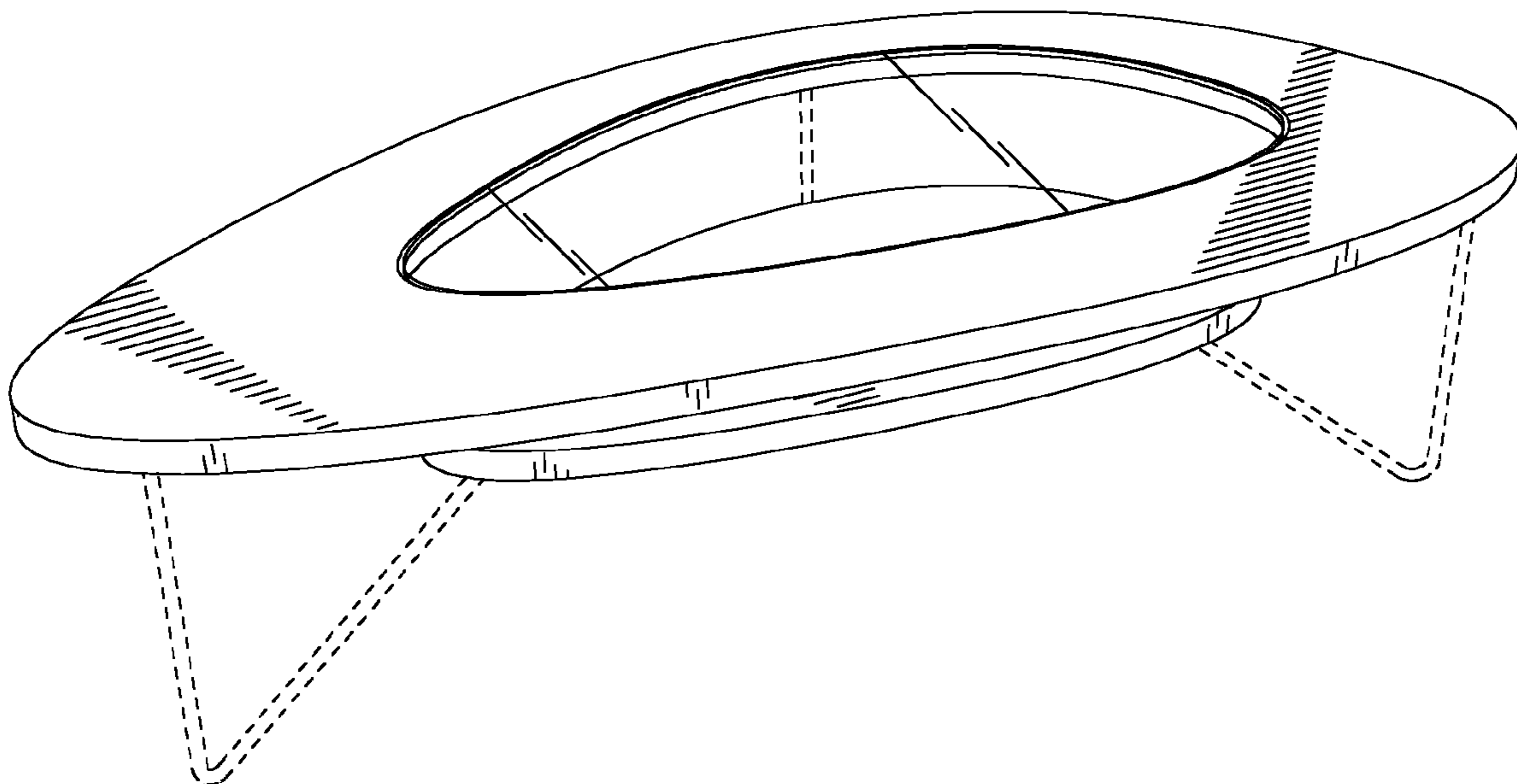
FIG. 10 is a rear orthographic view thereof;

FIG. 11 is a left side orthographic view thereof; and,

FIG. 12 is a right side orthographic view thereof.

The broken lines shown in FIGS. 1-12 are included for the purpose of illustrating environmental elements only and form no part of the claimed design. The bottom view of the first and second embodiments are omitted and form no part of the claimed design.

1 Claim, 12 Drawing Sheets



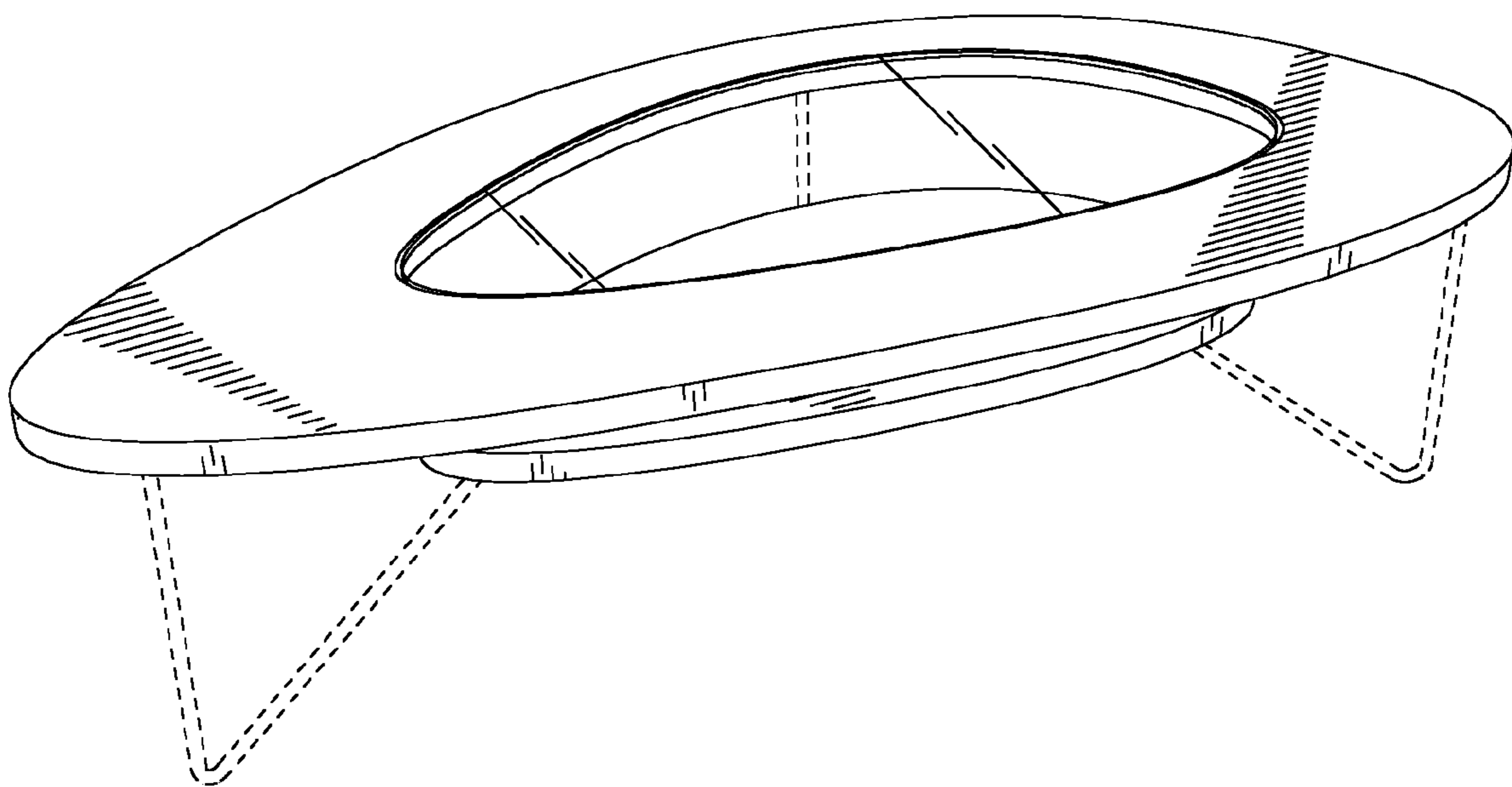


Fig. 1

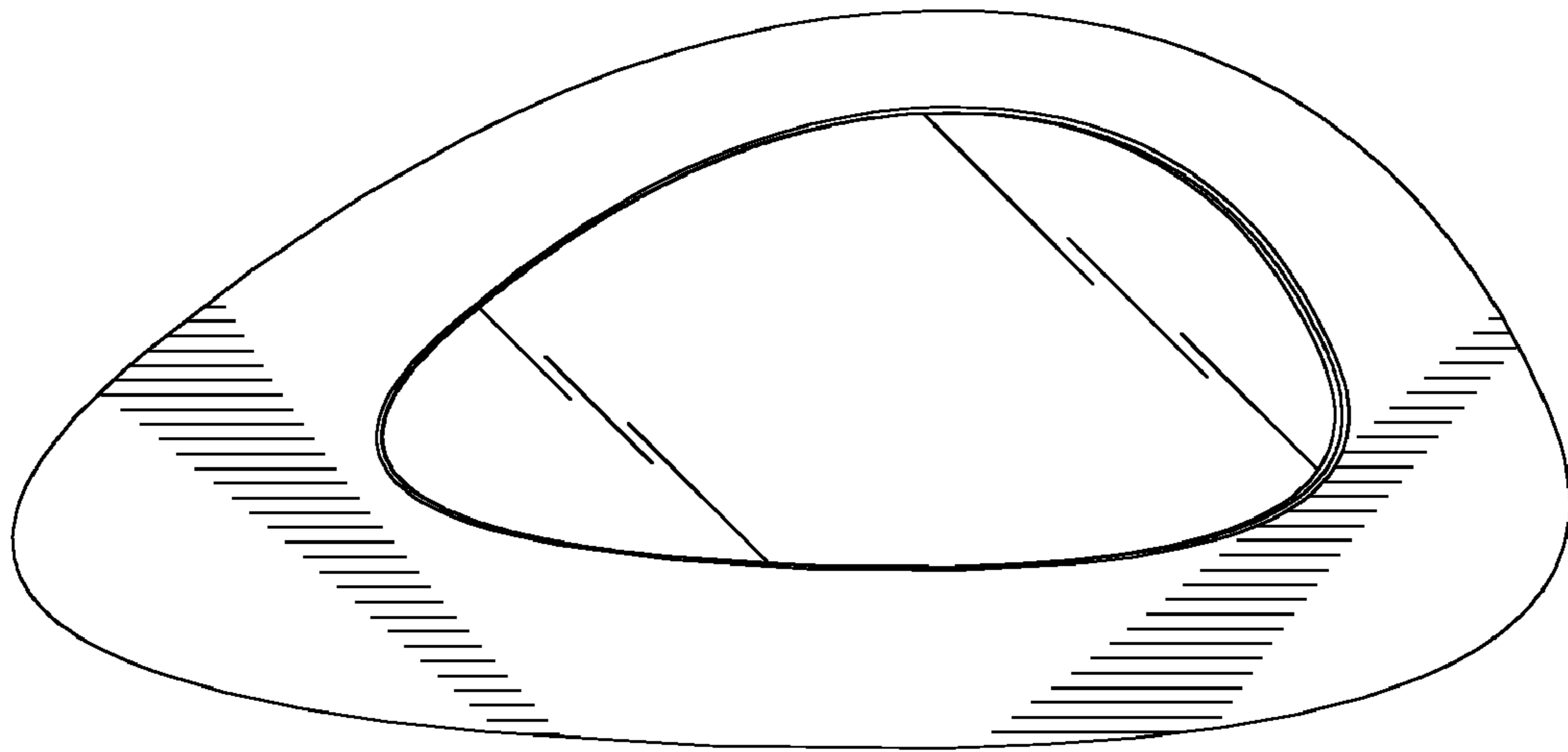


Fig. 2

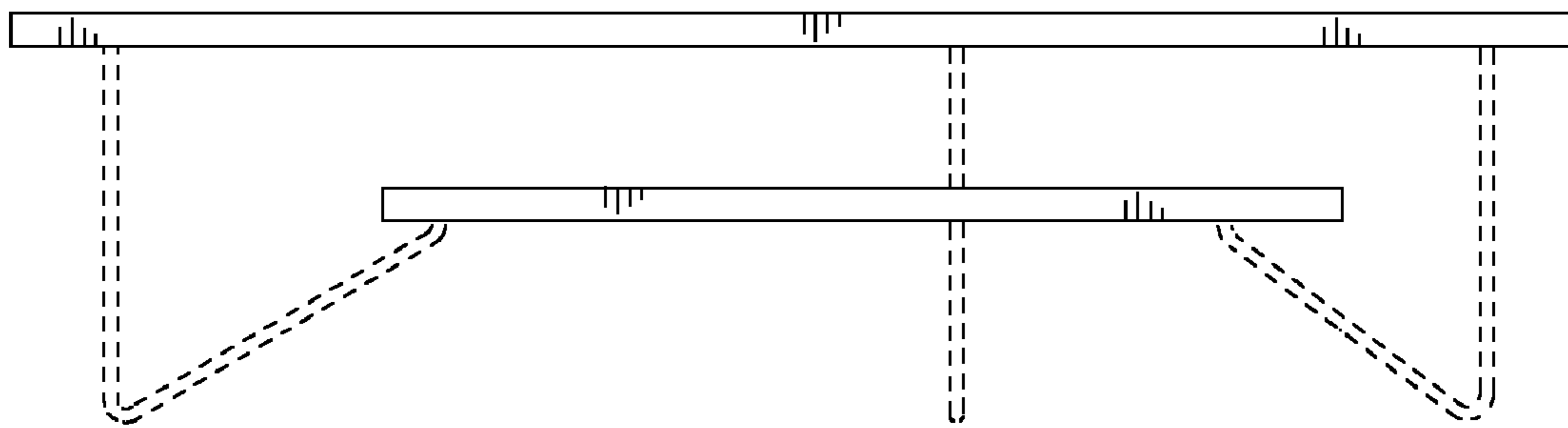


Fig. 3

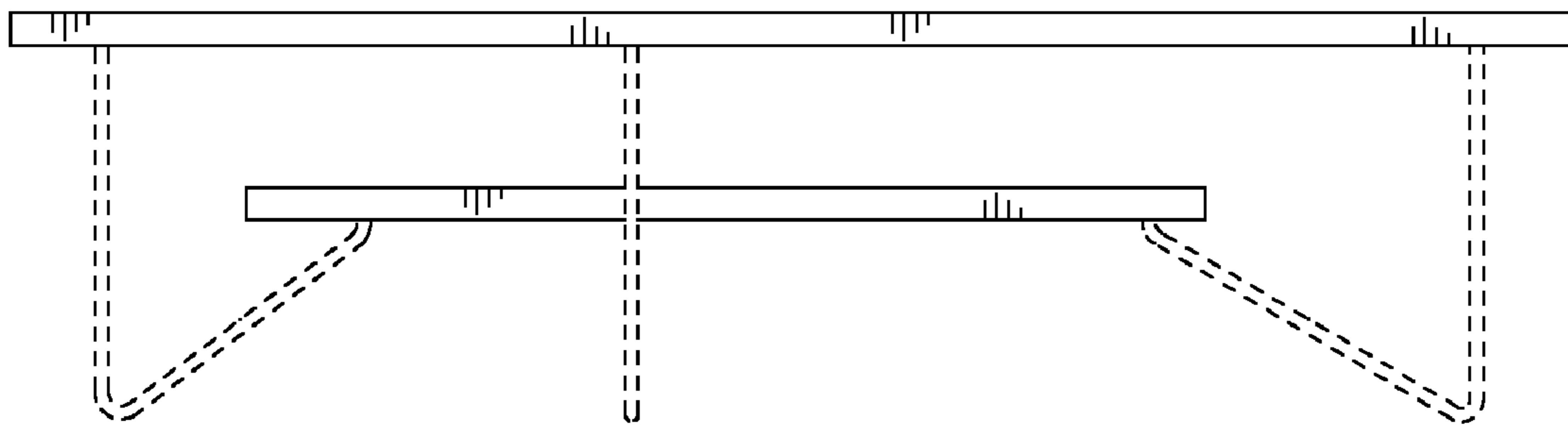


Fig. 4

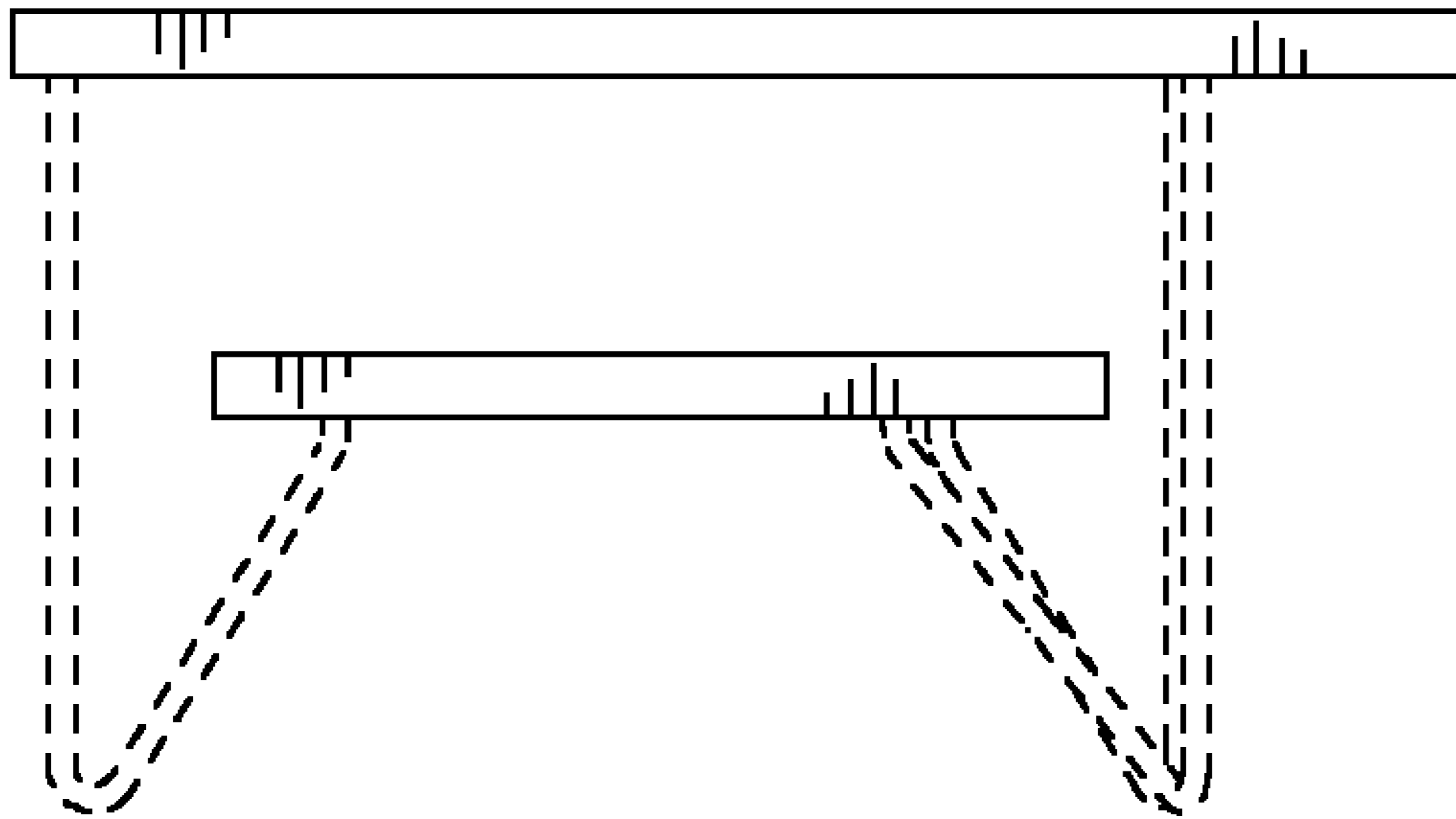


Fig. 5

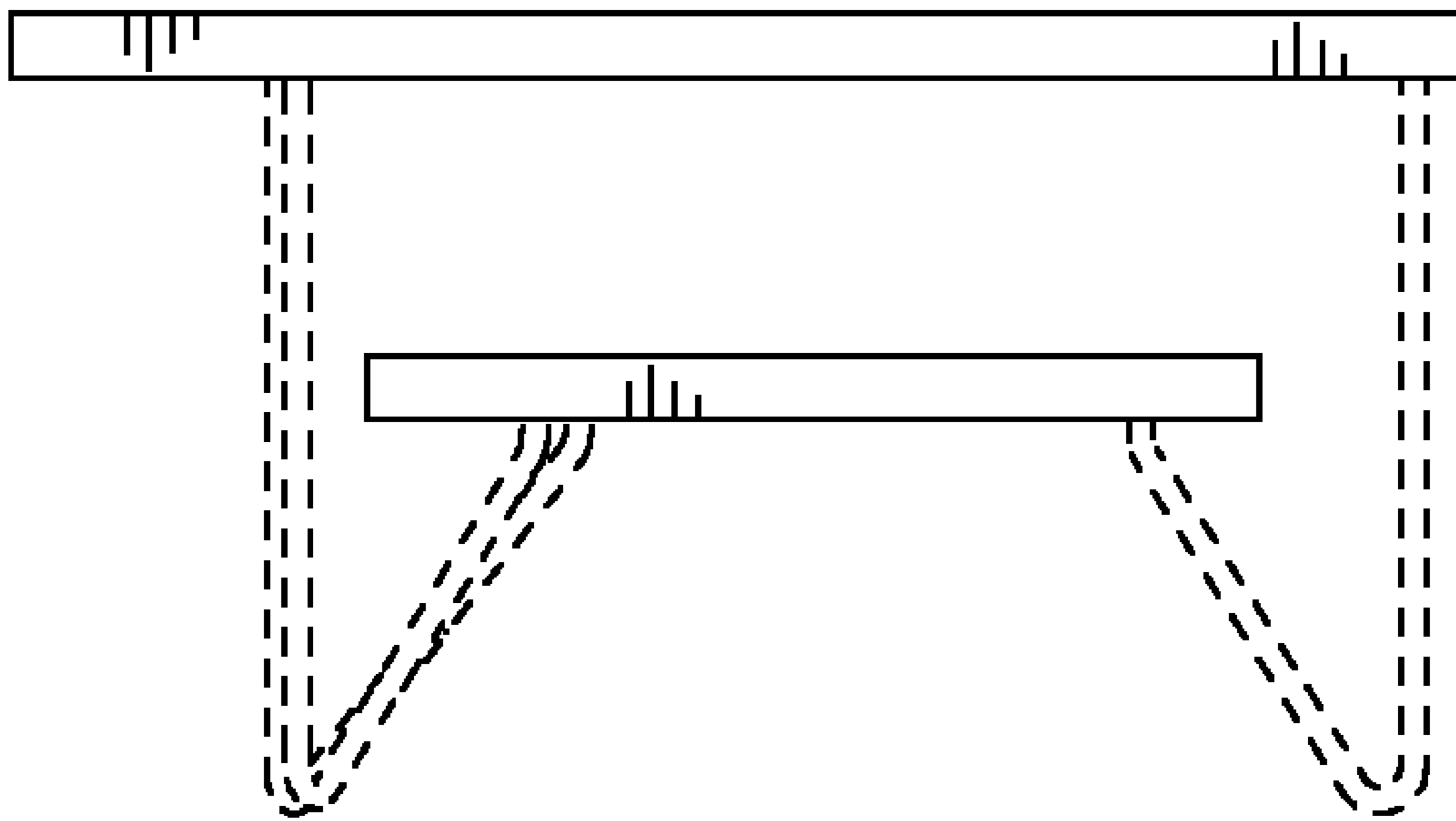


Fig. 6

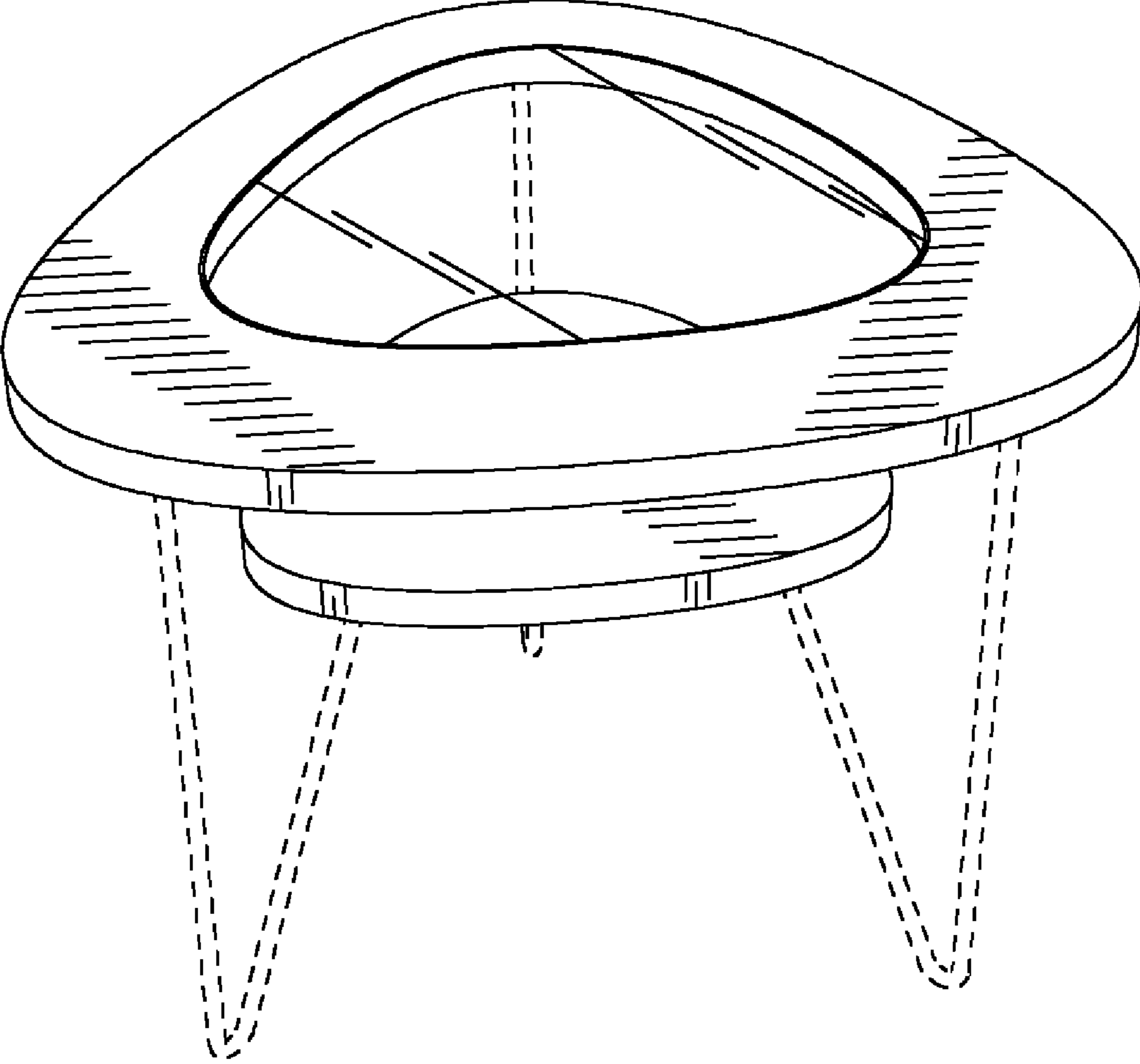


Fig. 7

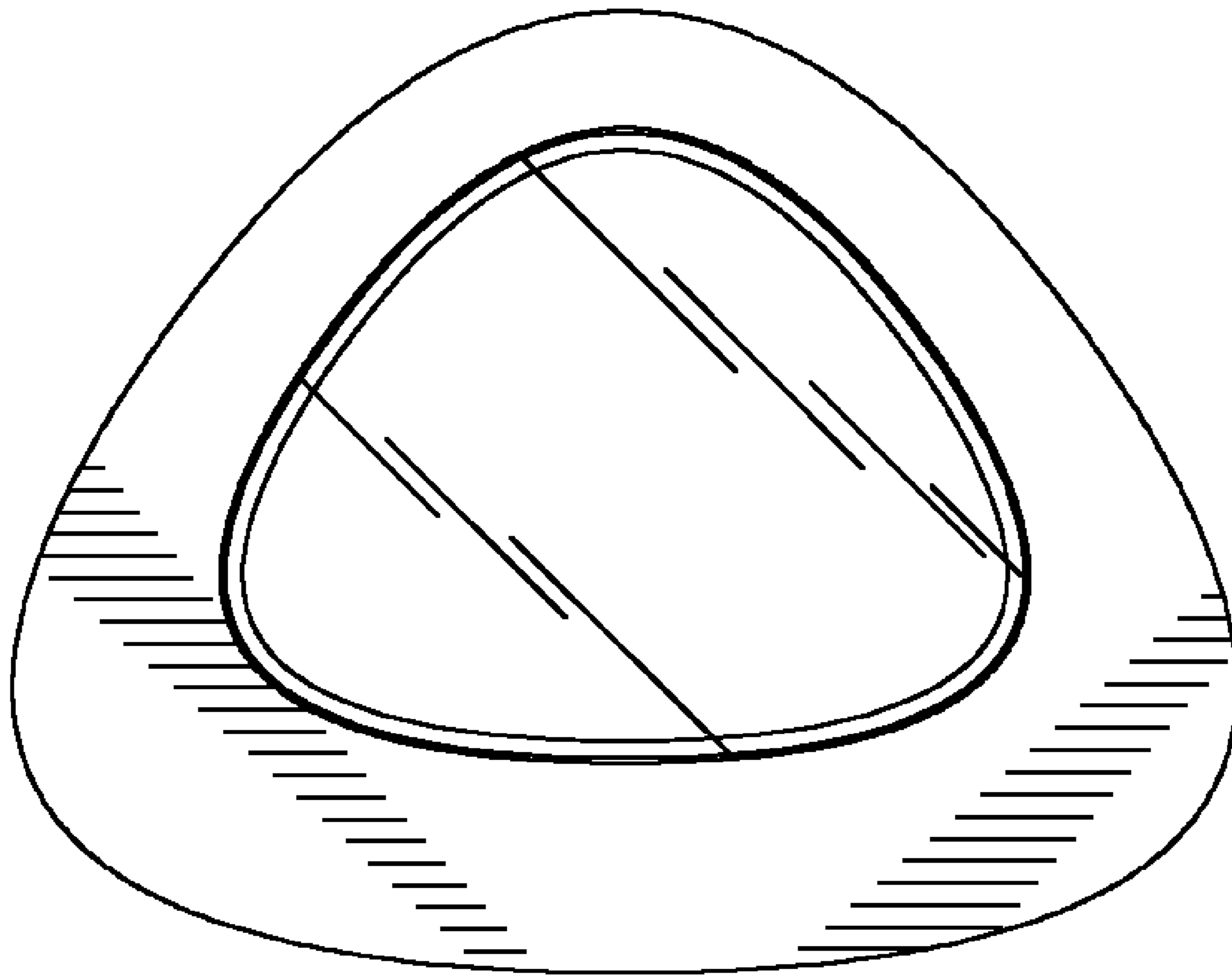


Fig. 8

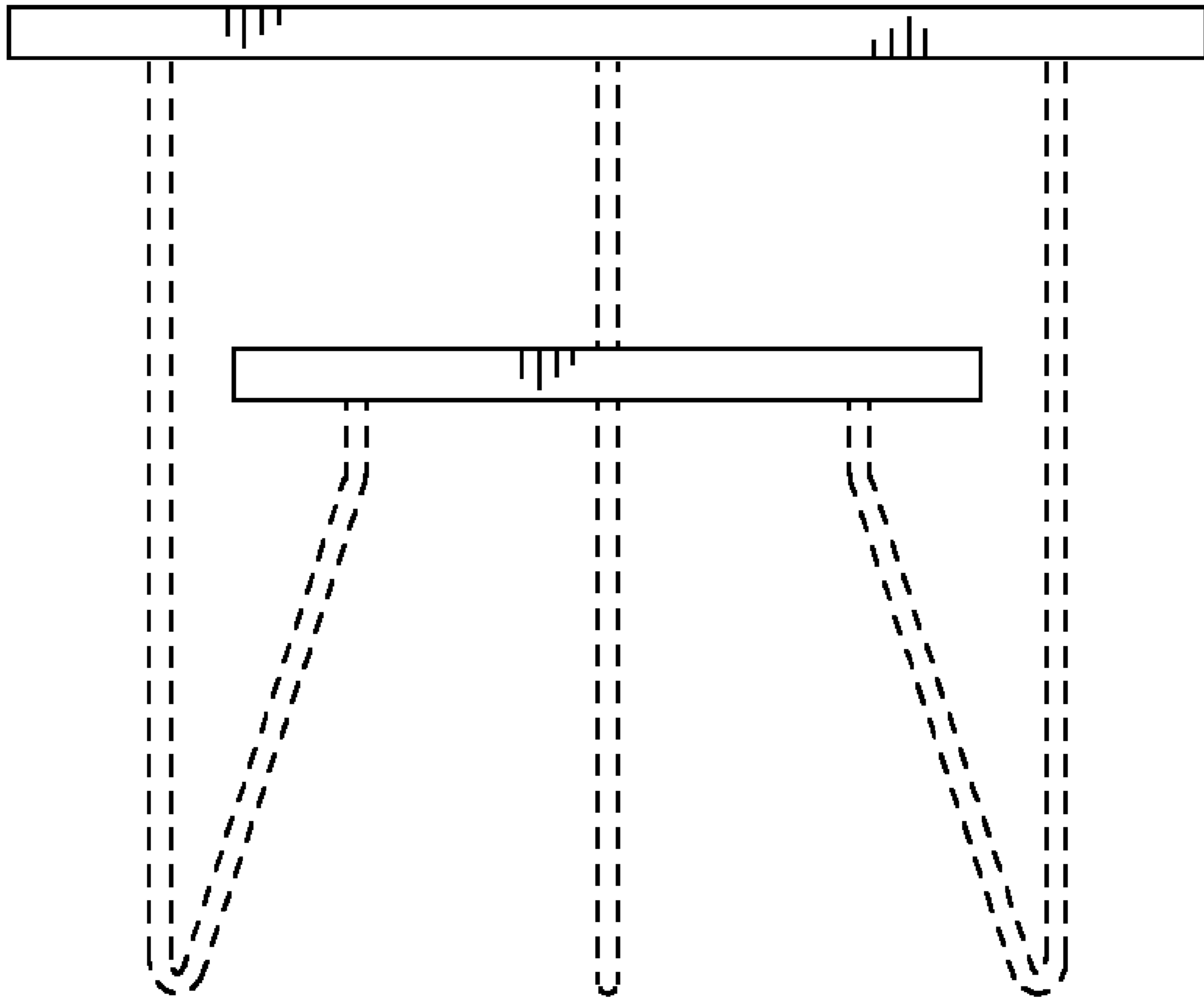


Fig. 9

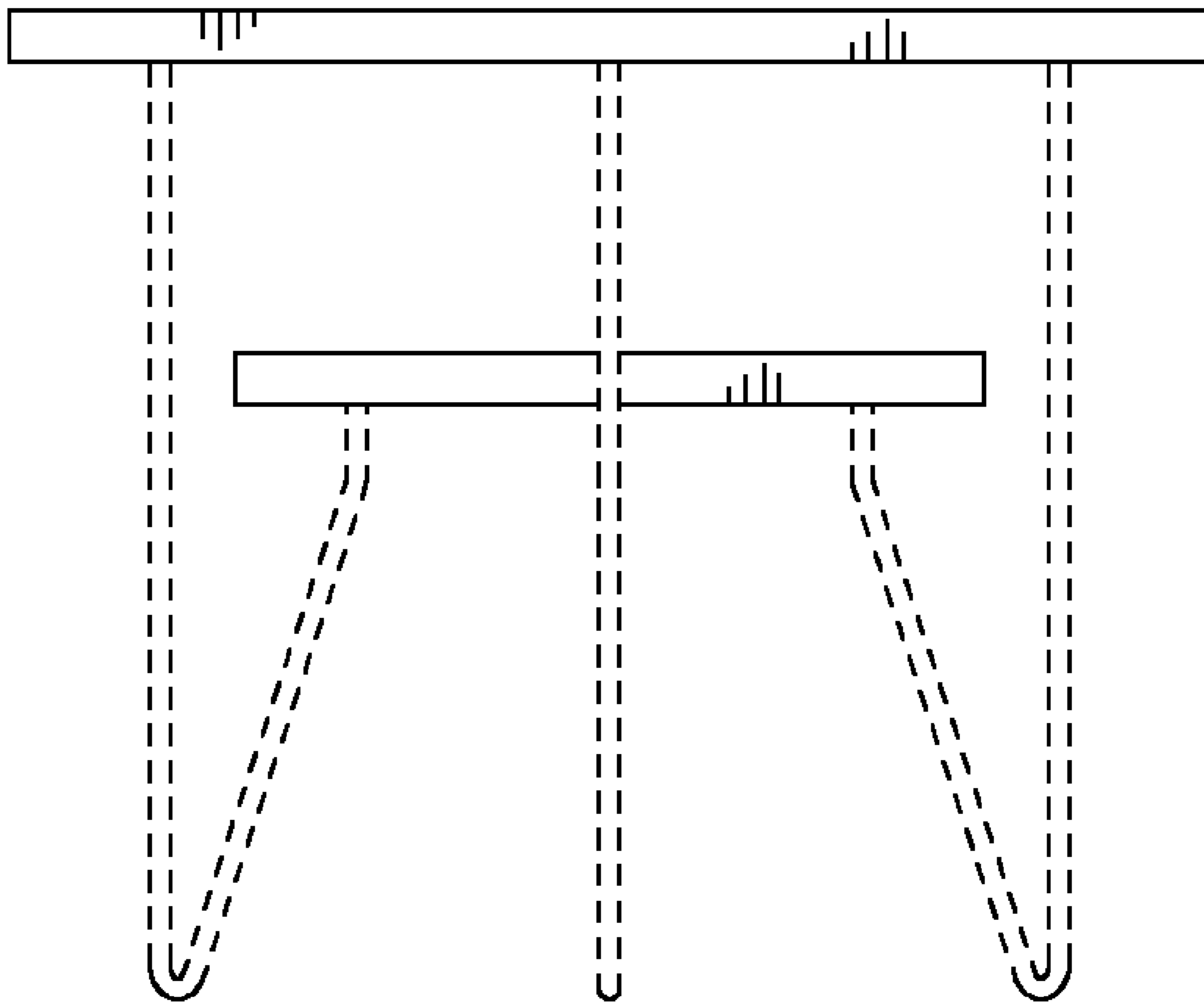


Fig. 10

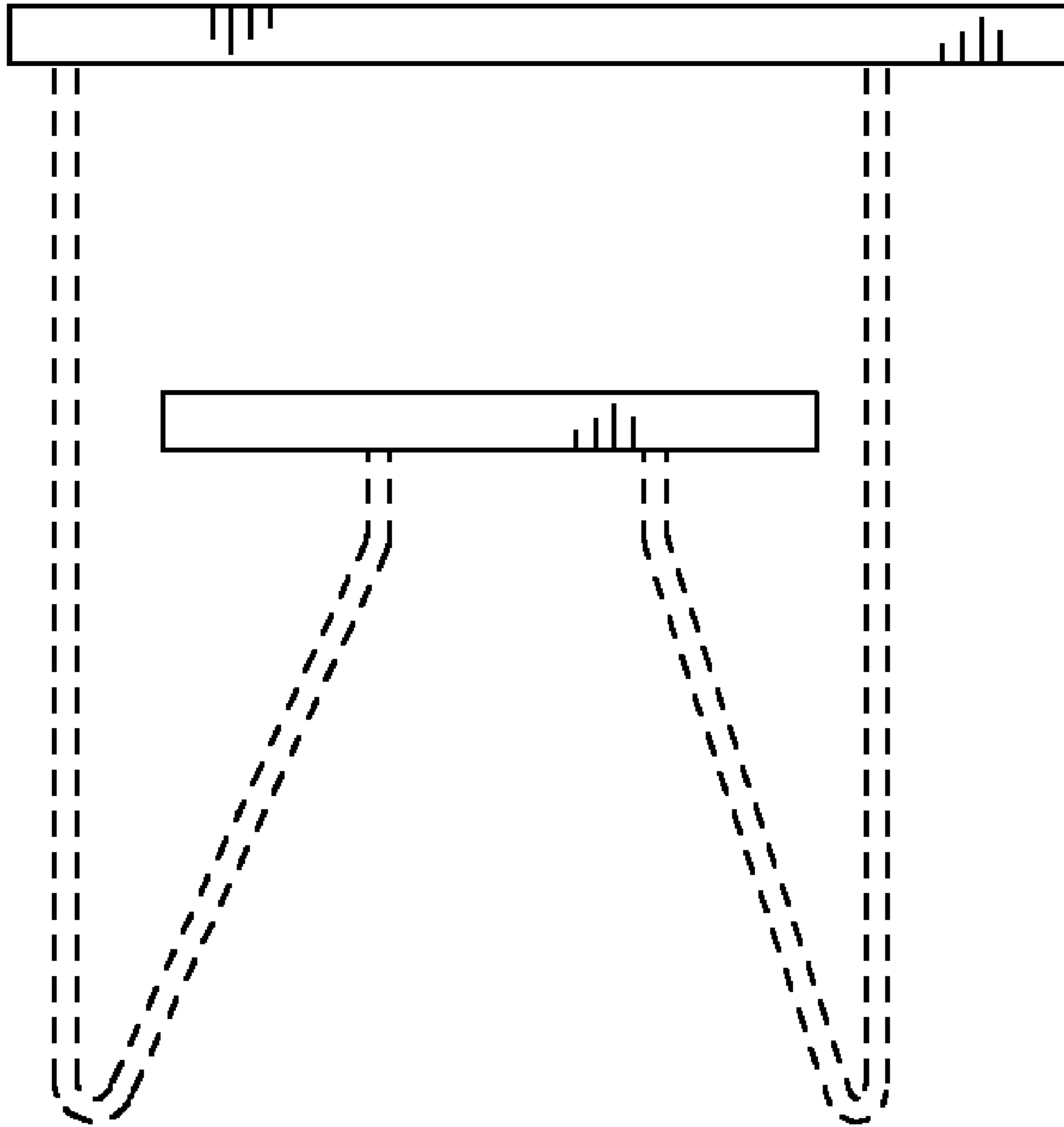


Fig. 11

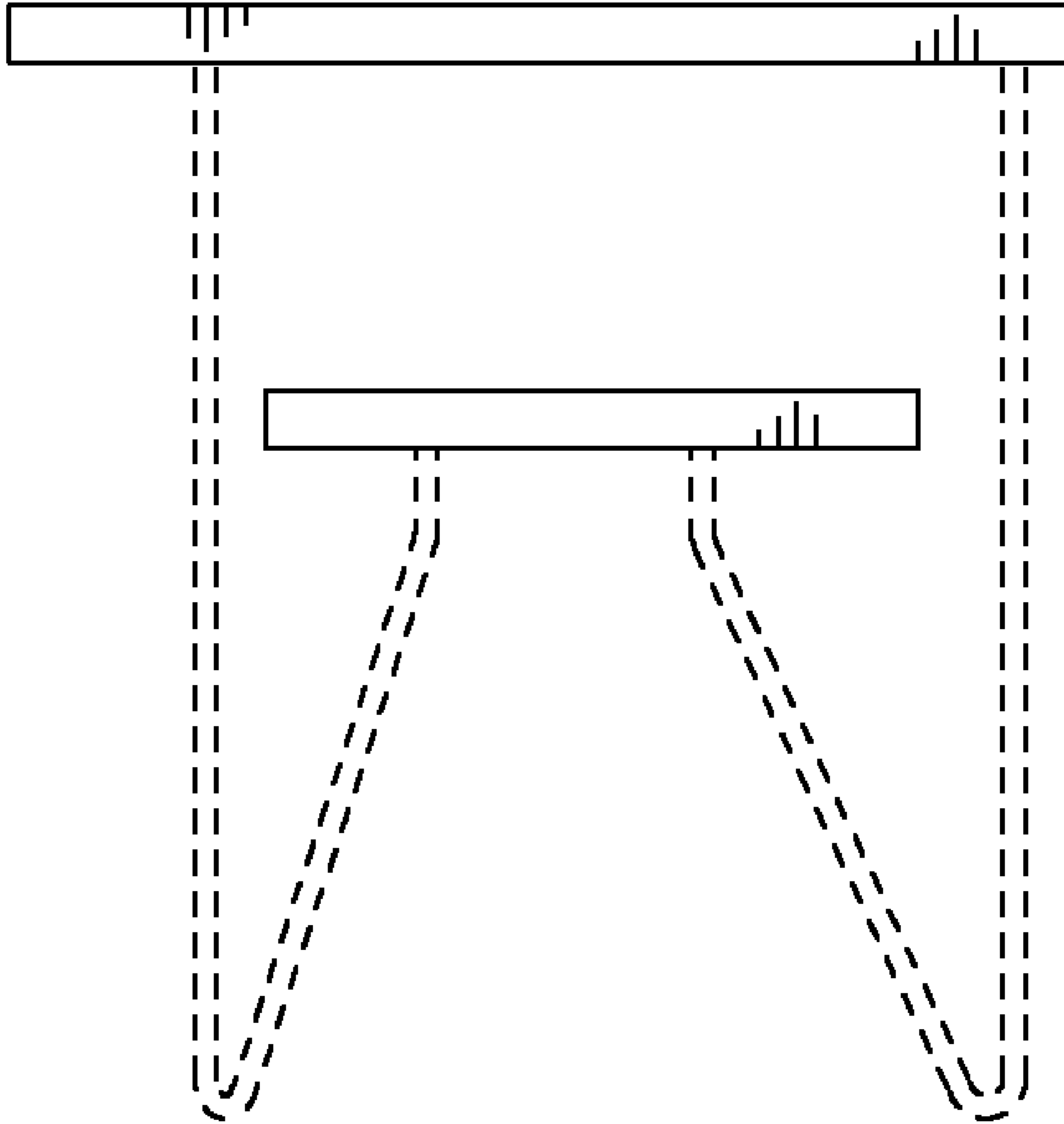


Fig. 12