



US00D550485S

(12) **United States Design Patent**
Thompson

(10) **Patent No.:** **US D550,485 S**

(45) **Date of Patent:** **** Sep. 11, 2007**

(54) **FURNITURE**

(75) Inventor: **David W. Thompson**, New Albany, OH
(US)

(73) Assignee: **American Signature, Inc.**, Columbus,
OH (US)

(**) Term: **14 Years**

(21) Appl. No.: **29/256,004**

(22) Filed: **Mar. 15, 2006**

(51) **LOC (8) Cl.** **06-06**

(52) **U.S. Cl.** **D6/509; D6/511**

(58) **Field of Classification Search** D6/436,
D6/445-447, 491, 492, 494, 509-511, 470;
312/204

See application file for complete search history.

(56) **References Cited**

U.S. PATENT DOCUMENTS

D164,579 S *	9/1951	Herrmann	D6/436
D247,079 S *	1/1978	Otema	D6/436
D256,639 S *	9/1980	Lee et al.	D6/436
D297,141 S *	8/1988	Goodlander	D18/59
D301,290 S *	5/1989	Otema	D6/470
D305,286 S *	1/1990	Otema	D6/470
D370,797 S *	6/1996	Miller	D6/436
D391,782 S *	3/1998	Neufeld	D6/436

D422,436 S *	4/2000	Fisher	D6/511
D425,728 S *	5/2000	Chun	D6/436
D492,150 S *	6/2004	Chesser et al.	D6/511
D531,426 S *	11/2006	Netto et al.	D6/436

* cited by examiner

Primary Examiner—Cathron C. Brooks

(74) *Attorney, Agent, or Firm*—Wood, Herron & Evans,
L.L.P.

(57) **CLAIM**

The ornamental design for a furniture, as shown and described.

DESCRIPTION

FIG. 1 is a perspective view of a furniture showing my new design.

FIG. 2 is a front elevational view thereof.

FIG. 3 is a cross-sectional view taken along lines 3—3 of FIG. 2.

FIG. 4 is a right-side elevational view thereof.

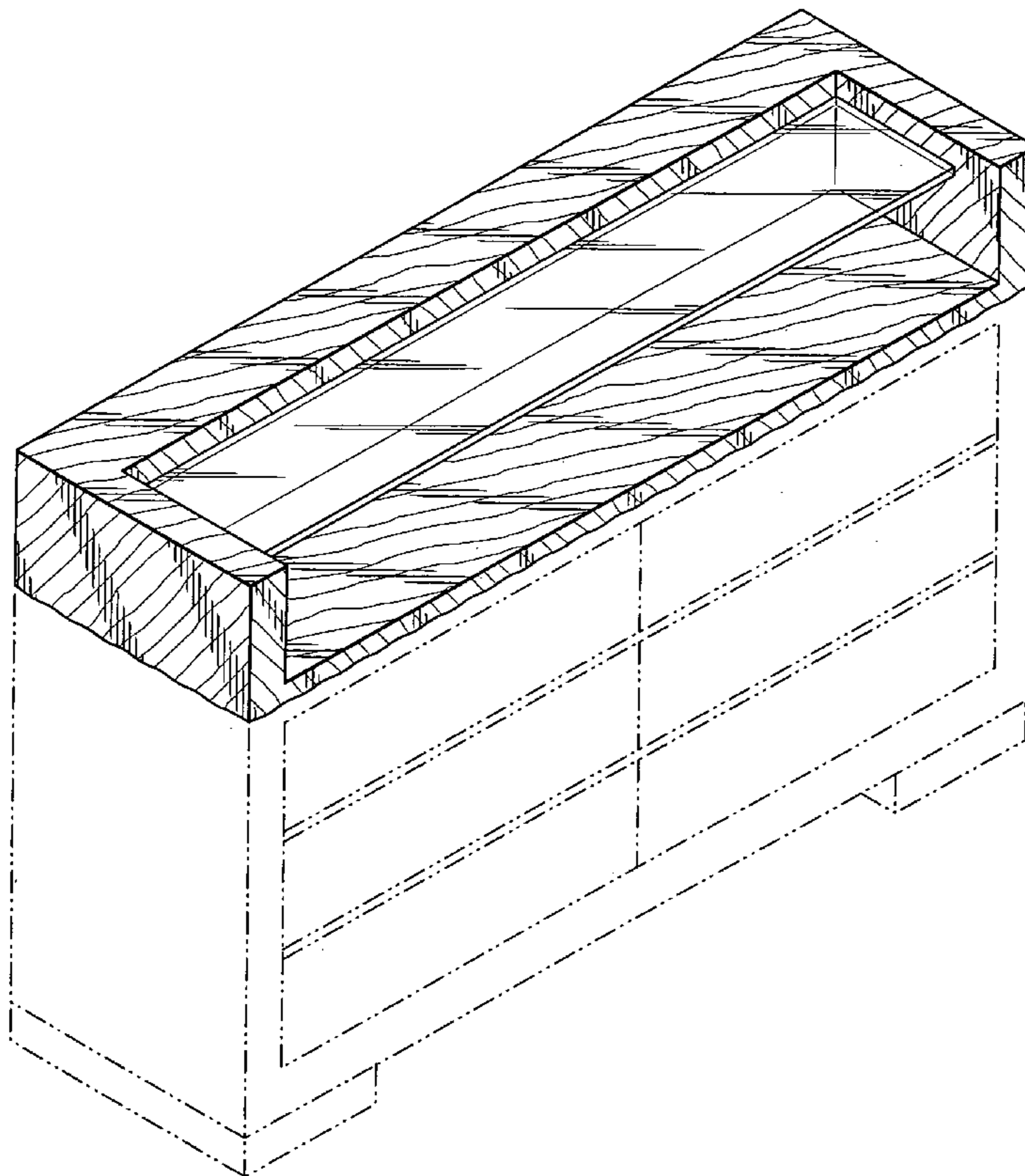
FIG. 5 is a rear elevational view thereof.

FIG. 6 is a left-side elevational view thereof; and,

FIG. 7 is a top plan view thereof.

The broken lines shown in FIGS. 1-6 show environment of the design and form no part of my claimed design.

1 Claim, 5 Drawing Sheets



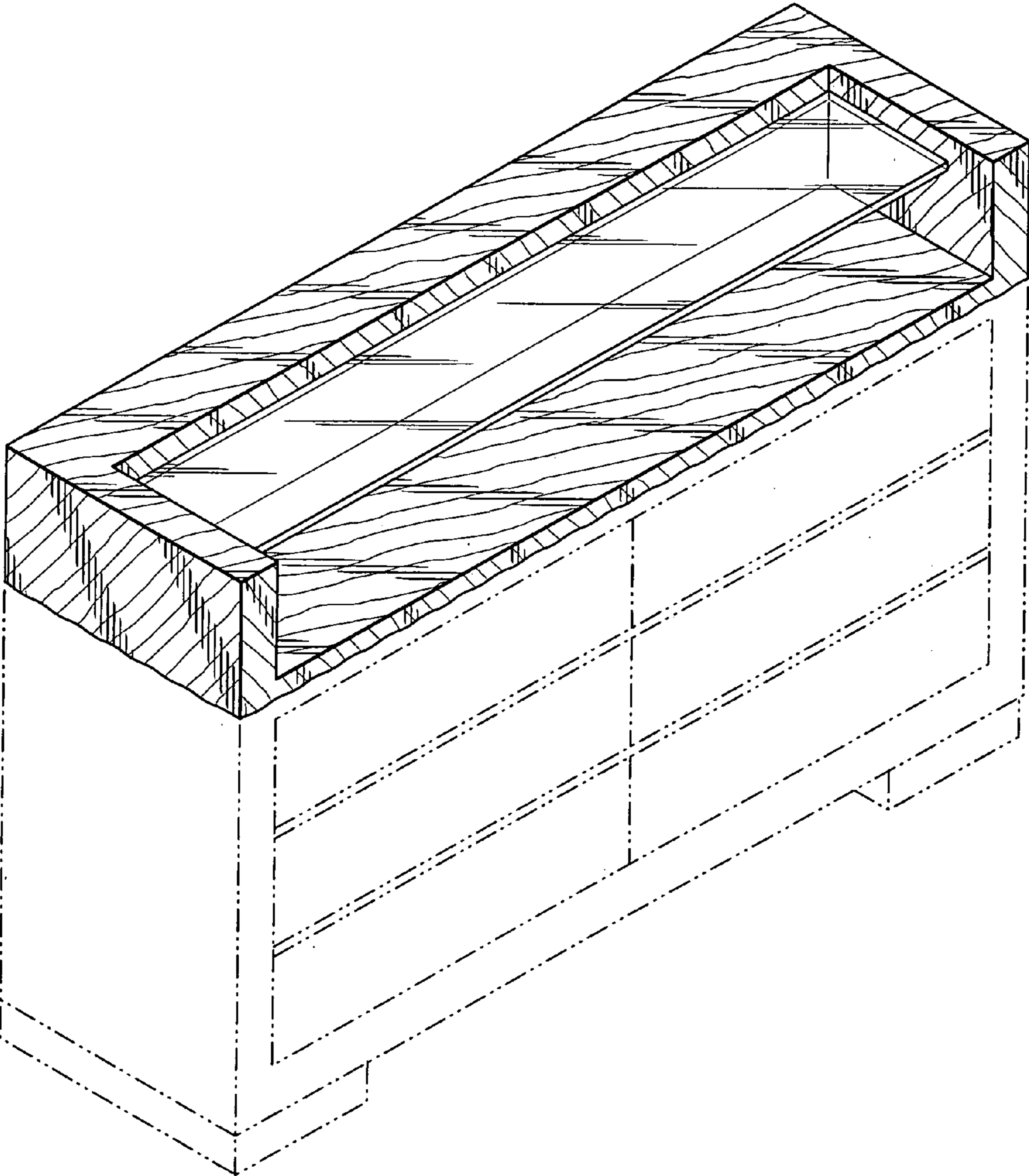


FIG. 1

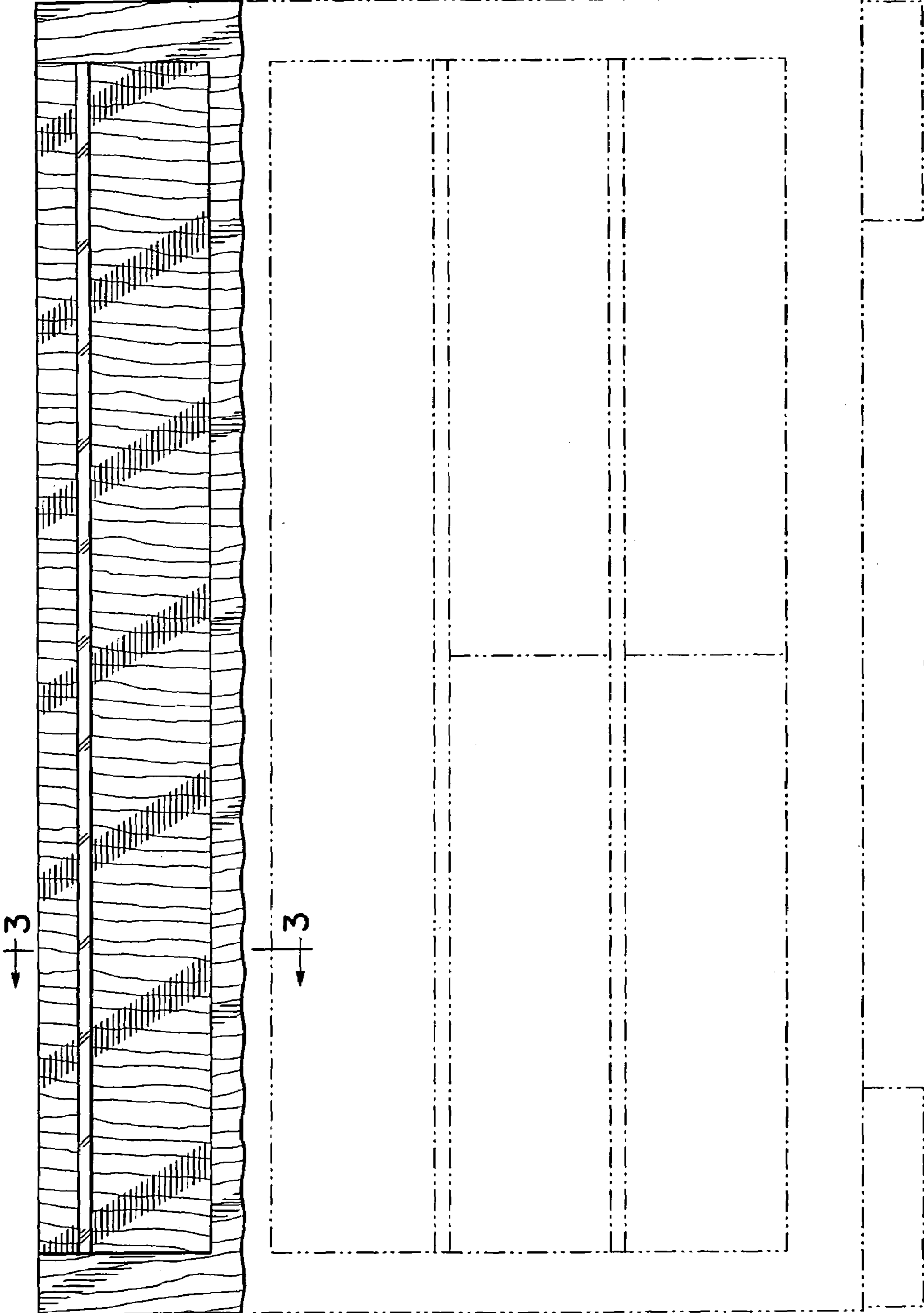


FIG. 2

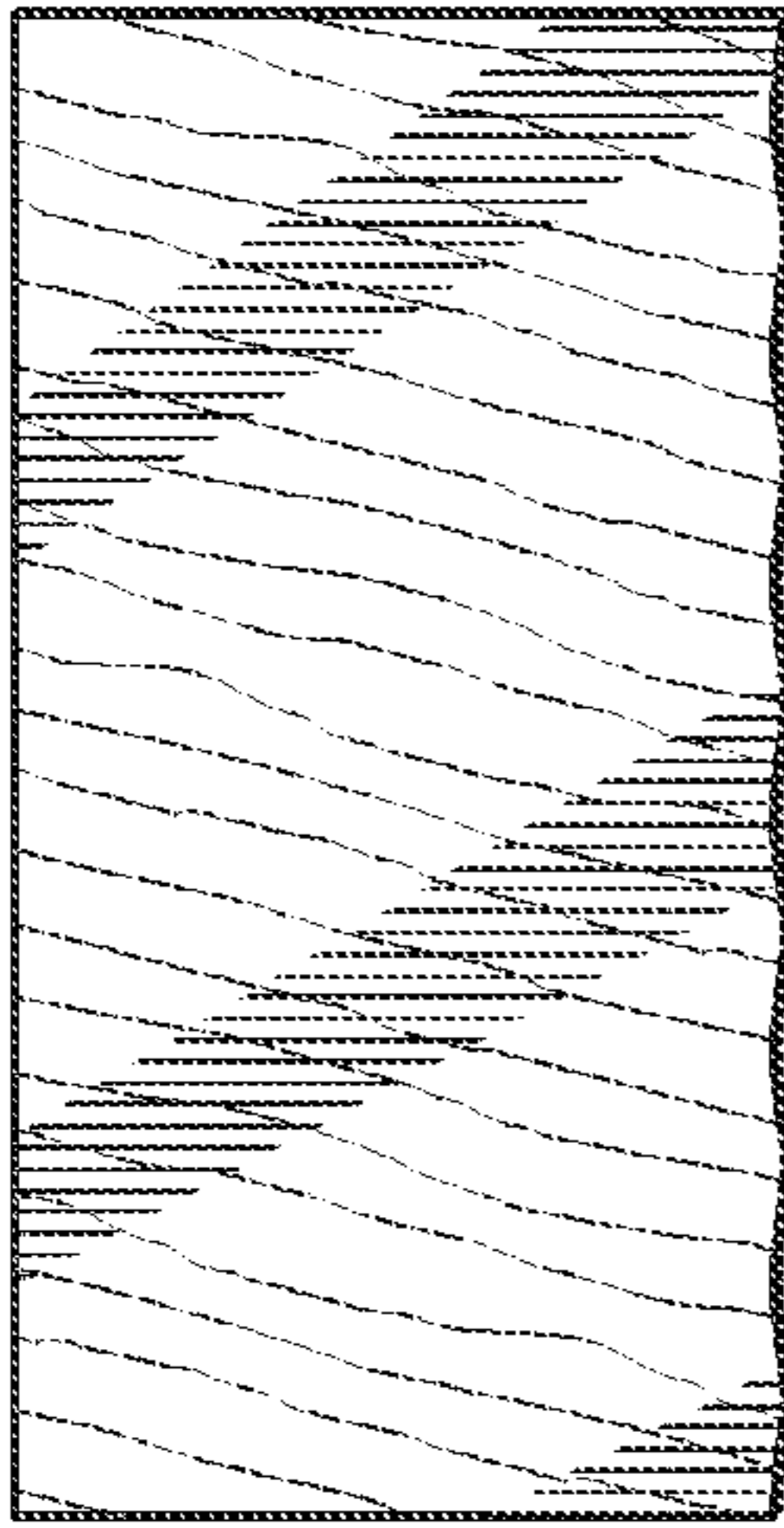


FIG. 6

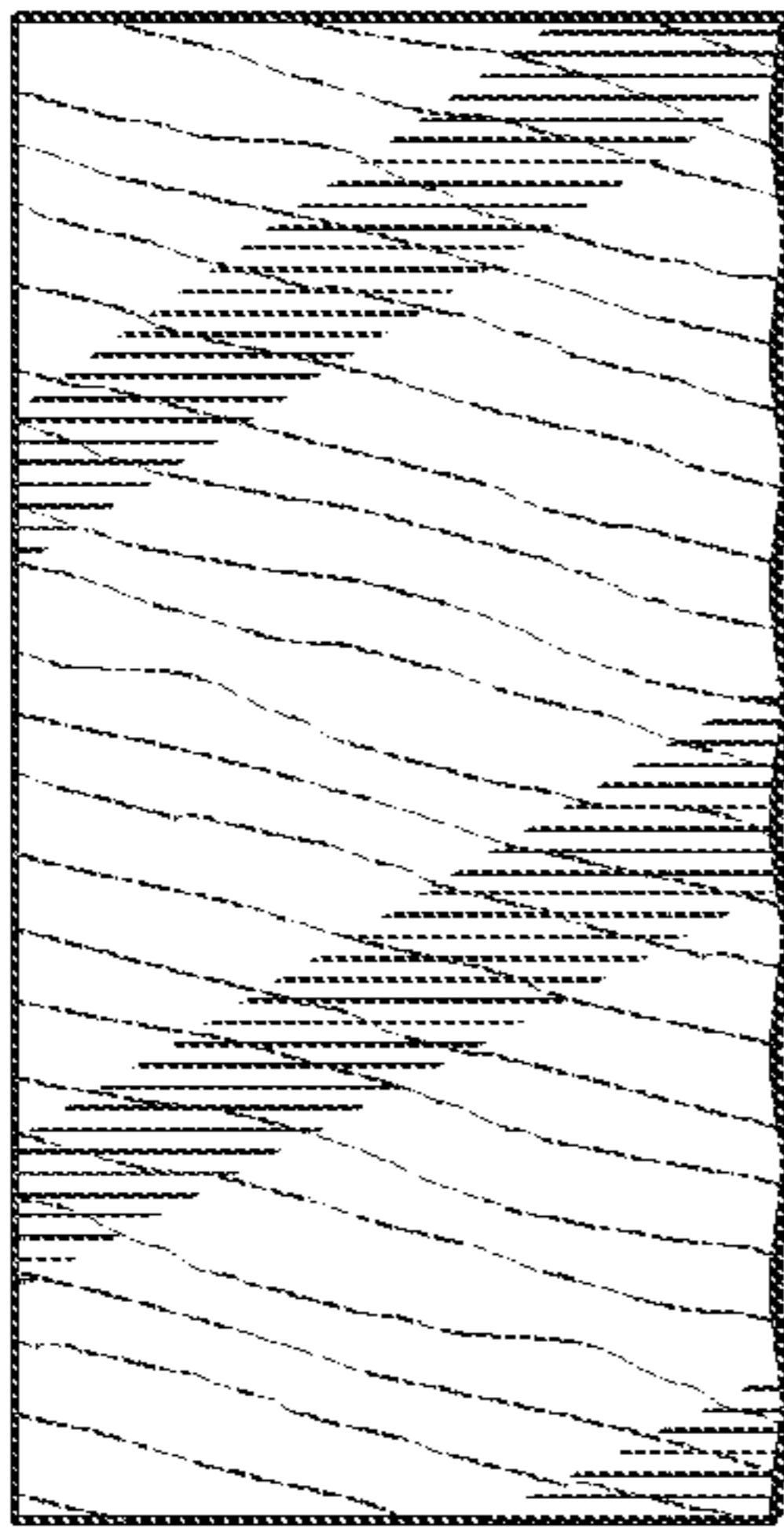


FIG. 4

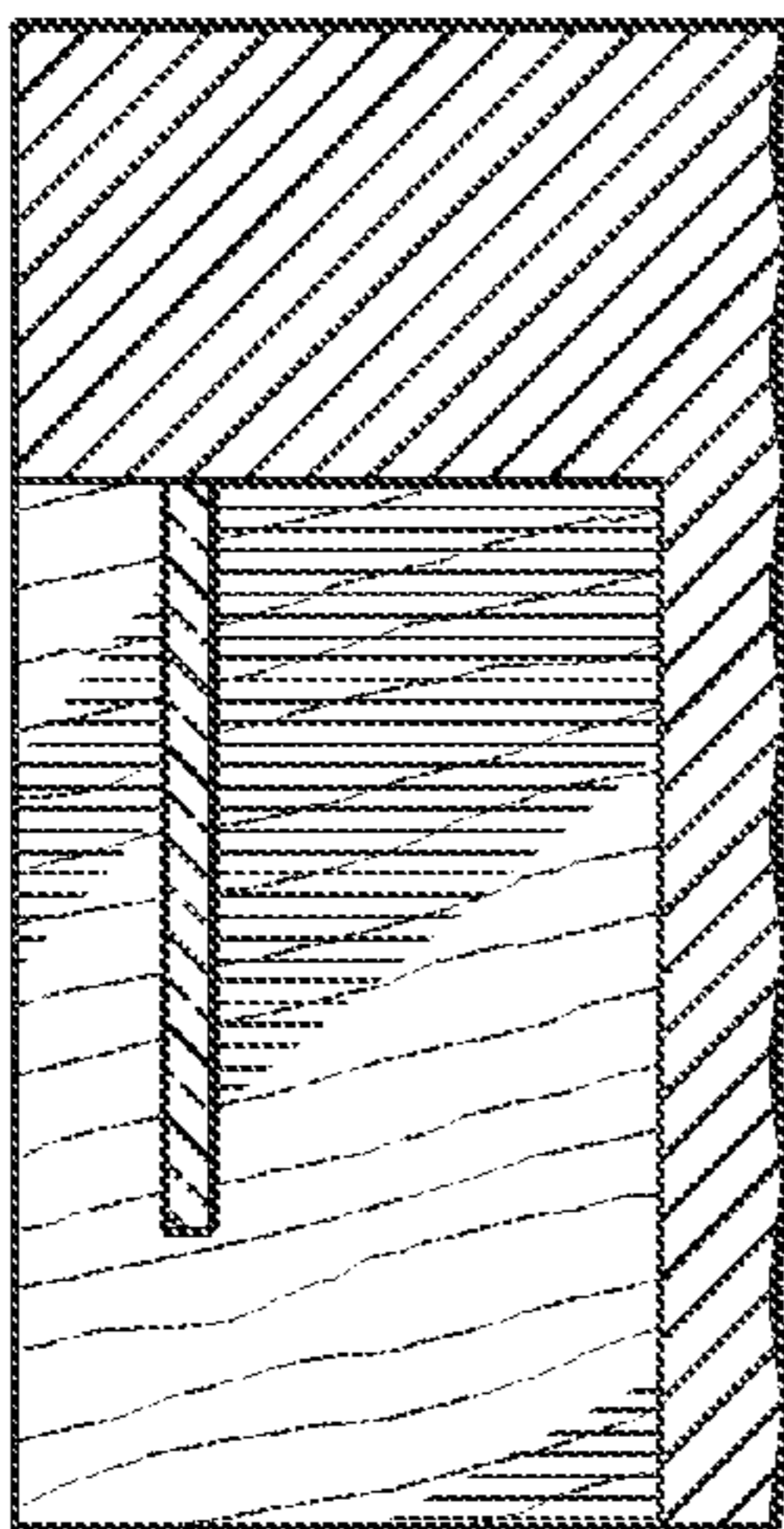


FIG. 3

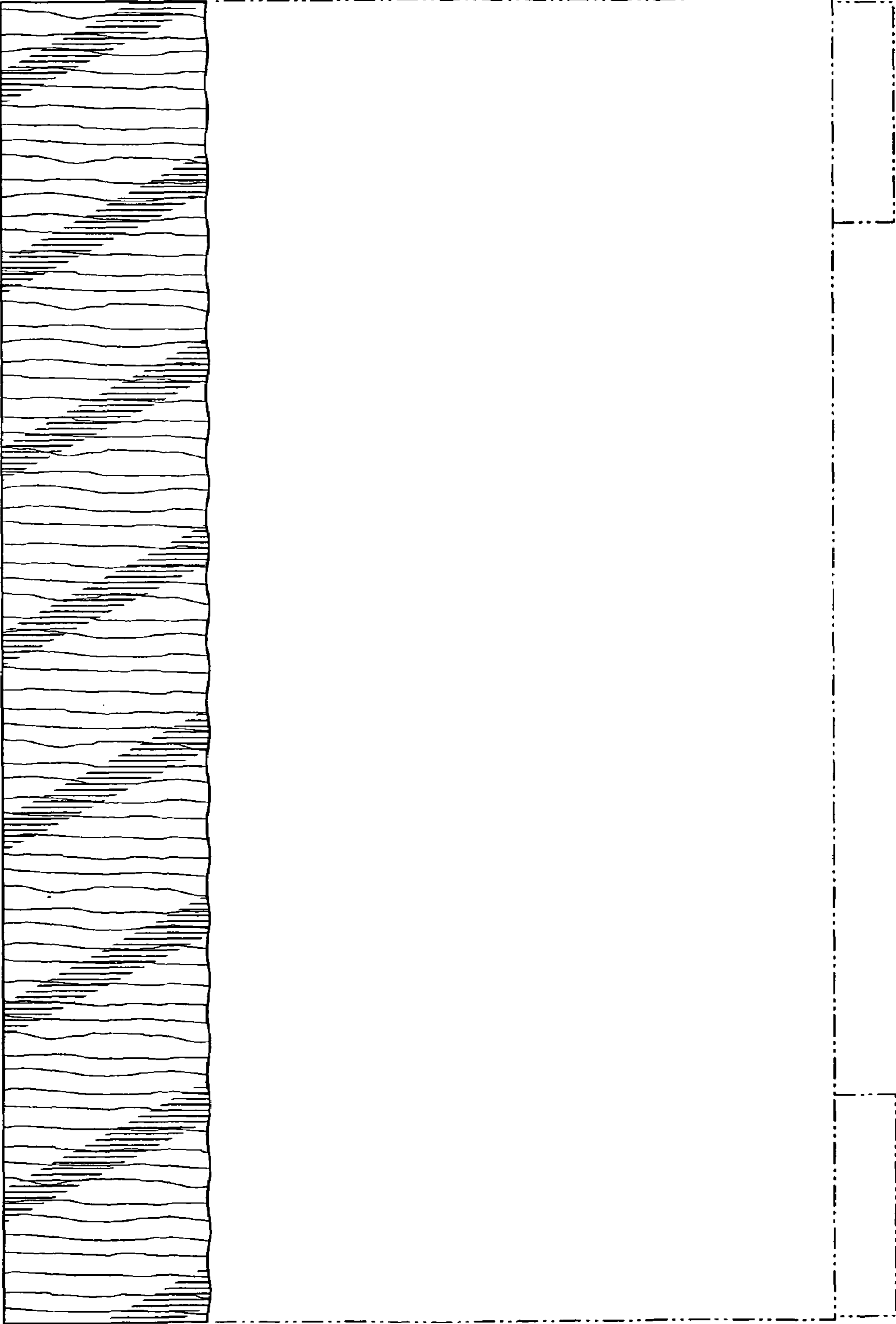


FIG. 5

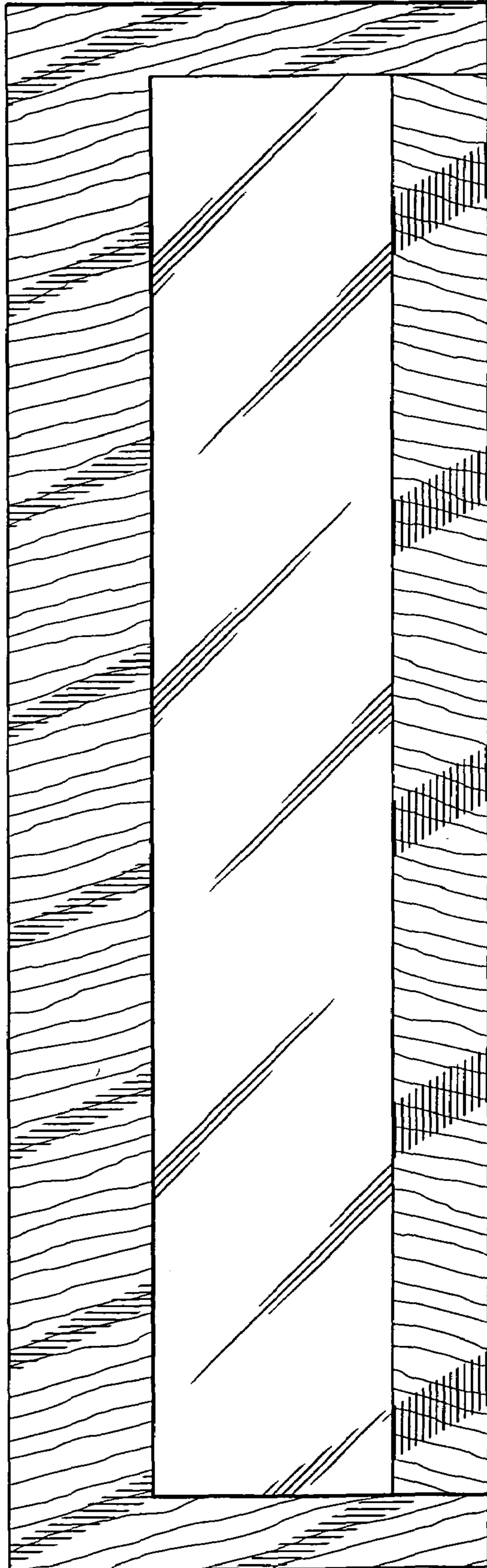


FIG. 7