



US00D550482S

(12) **United States Design Patent**  
**Belokin et al.**

(10) **Patent No.:** **US D550,482 S**

(45) **Date of Patent:** **\*\* Sep. 11, 2007**

(54) **SHELF EXTENSION TRAY**

(75) Inventors: **Paul Belokin**, Denton County, TX (US); **Martin P. Belokin**, Denton County, TX (US); **Norman P. Belokin**, Denton County, TX (US)

(73) Assignee: **Displays by Martin Paul, Inc. - Creative Center**, Denton, TX (US)

(\*\*) Term: **14 Years**

(21) Appl. No.: **29/255,132**

(22) Filed: **Mar. 6, 2006**

(51) **LOC (8) Cl.** ..... **06-04**

(52) **U.S. Cl.** ..... **D6/475; D6/510**

(58) **Field of Classification Search** ..... D3/304;  
D6/408, 475, 510, 594; 211/85.4, 71.01,  
211/88.01, 90.01, 119.003, 183  
See application file for complete search history.

(56) **References Cited**

**U.S. PATENT DOCUMENTS**

D275,918 S \* 10/1984 Taylor ..... D6/510  
D304,638 S \* 11/1989 Ireland ..... D3/304

D344,838 S \* 3/1994 Hakansson ..... D3/304  
D420,798 S \* 2/2000 Belokin et al. .... D3/304  
D496,179 S \* 9/2004 Sjoberg ..... D6/408  
D518,638 S \* 4/2006 Nudo ..... D3/304  
7,051,885 B2 \* 5/2006 Belokin et al. .... 211/87.01

\* cited by examiner

*Primary Examiner*—Cathron C. Brooks

*Assistant Examiner*—Kelley A. Donnelly

(74) *Attorney, Agent, or Firm*—Jack A. Kanz

(57) **CLAIM**

The ornamental design for shelf extension tray, as shown and described.

**DESCRIPTION**

FIG. 1 is a front perspective view of a shelf extension tray showing our new design;

FIG. 2 is a front elevational view thereof;

FIG. 3 is a right side elevational view thereof;

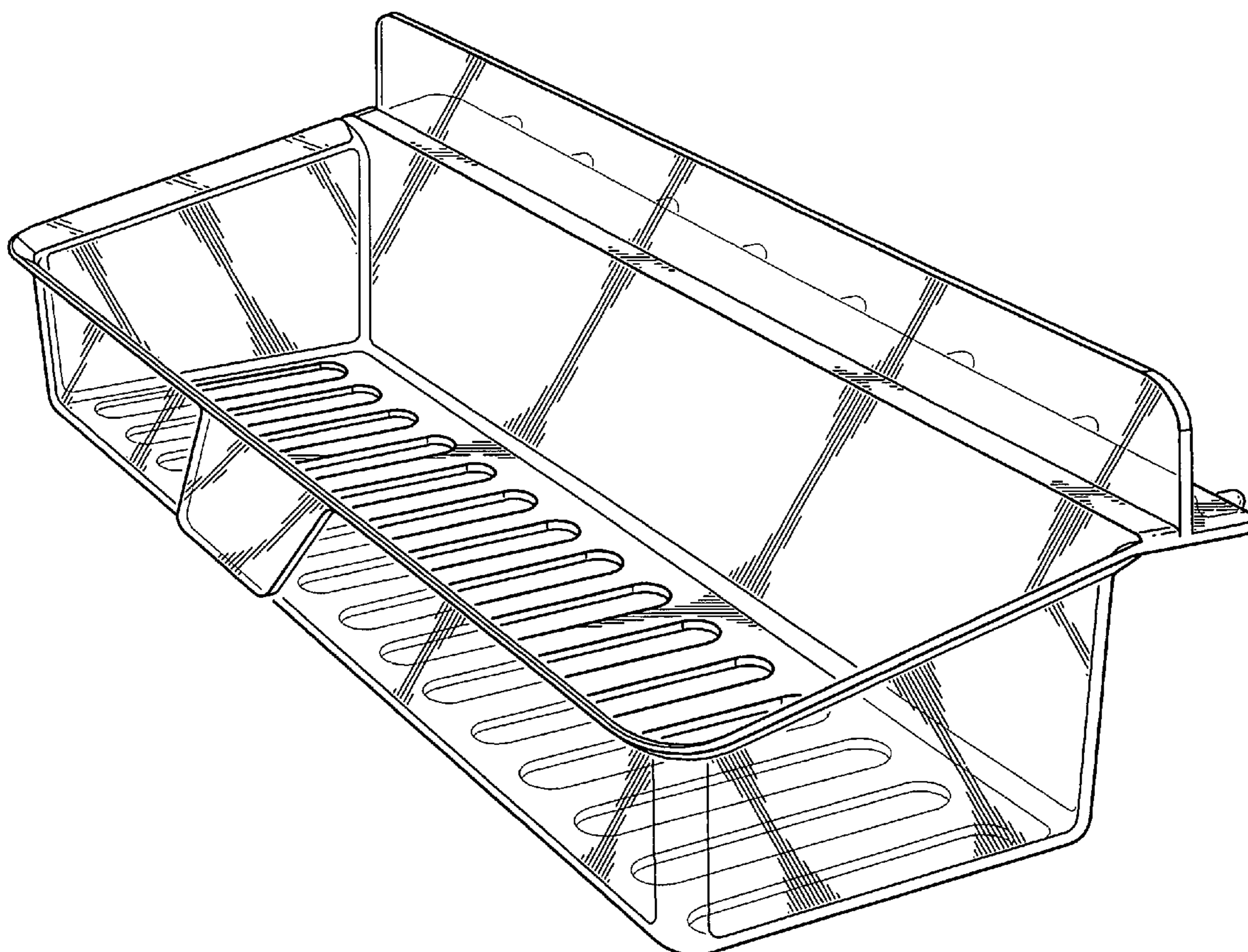
FIG. 4 is a left side elevational view thereof;

FIG. 5 is a rear elevational view thereof;

FIG. 6 is a top plan view thereof; and,

FIG. 7 is a bottom plan view thereof.

**1 Claim, 5 Drawing Sheets**



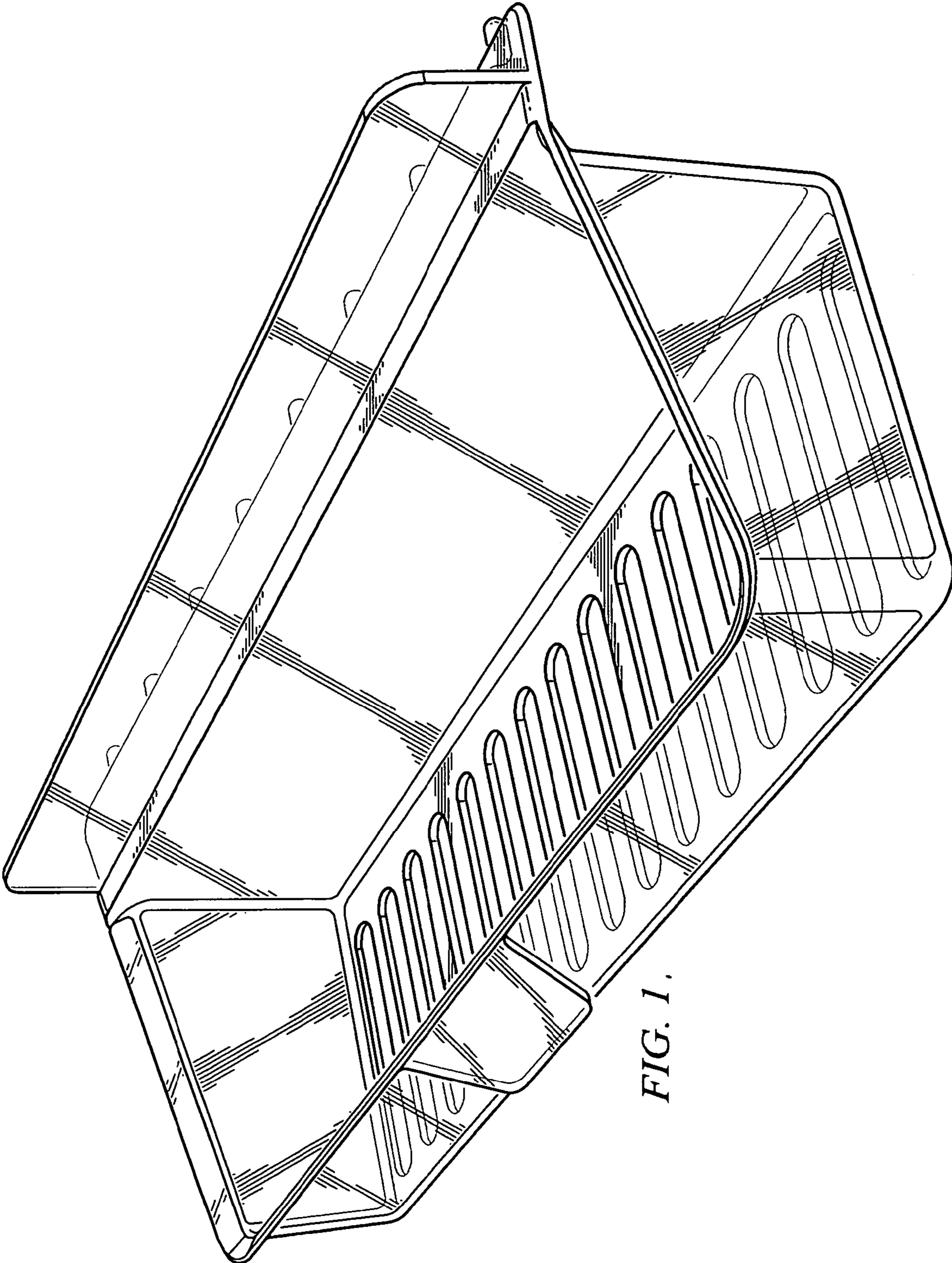


FIG. 1.

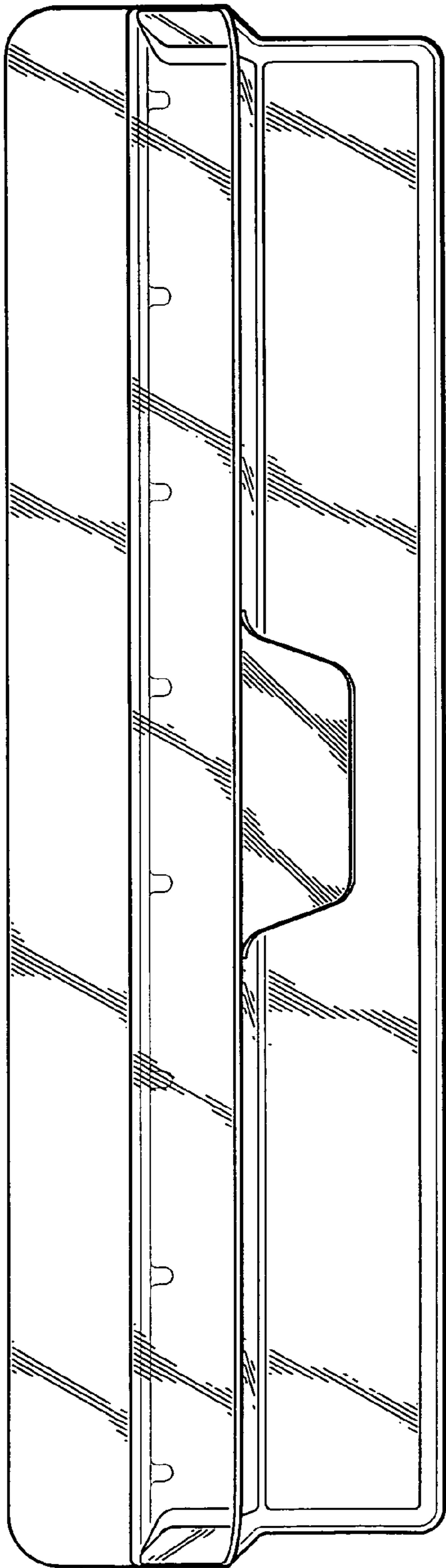


FIG. 2

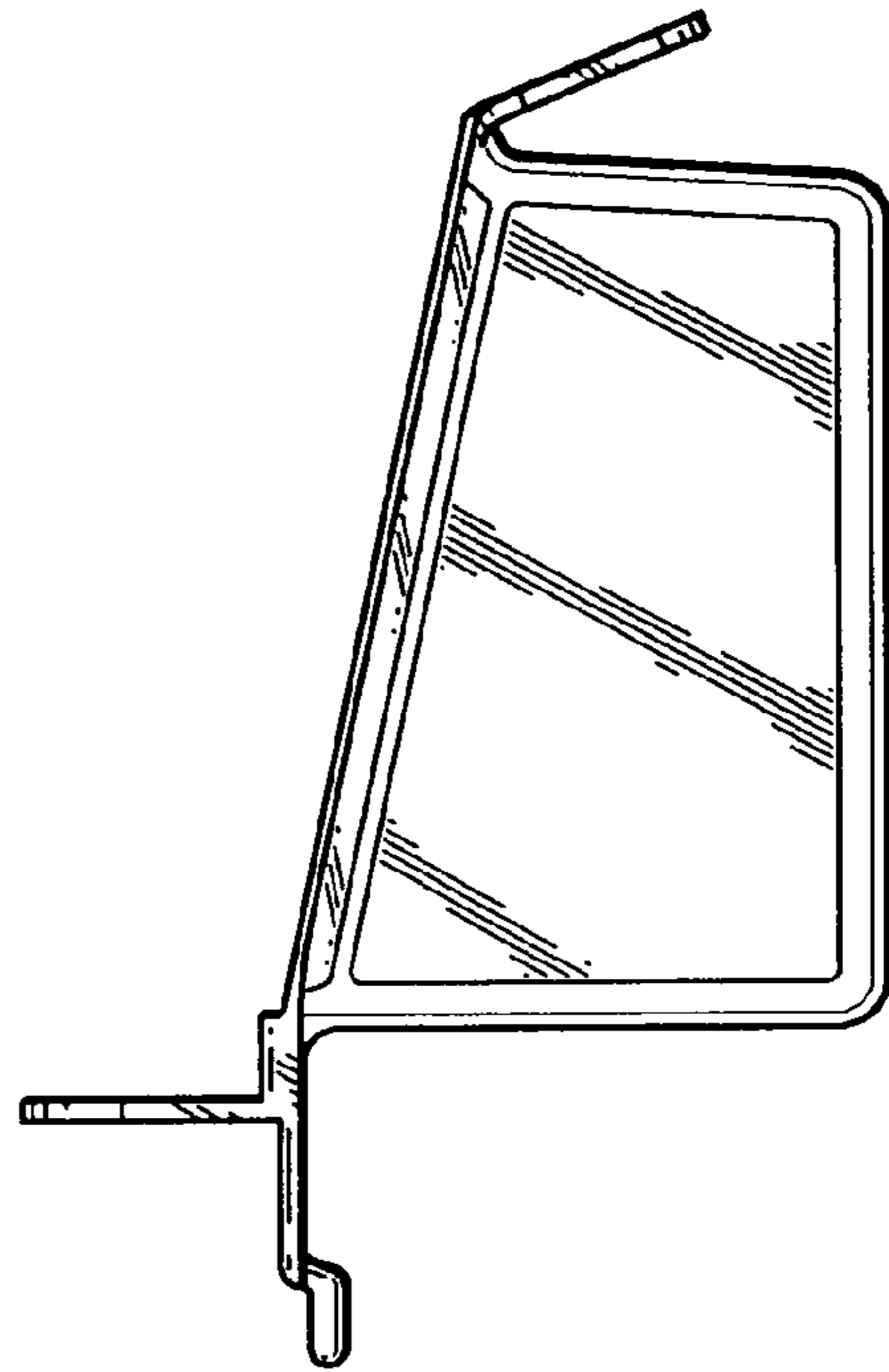


FIG. 4

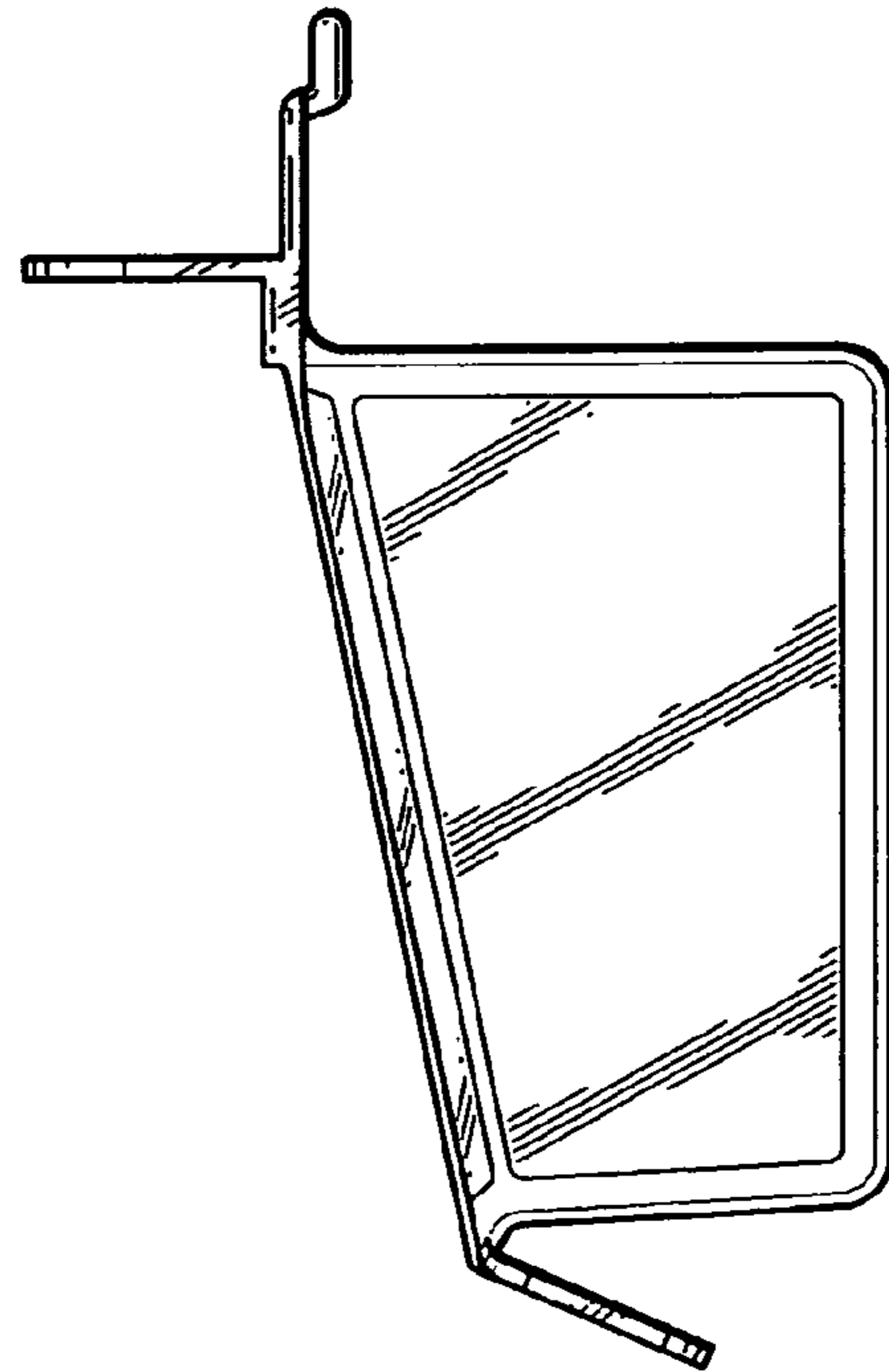


FIG. 3

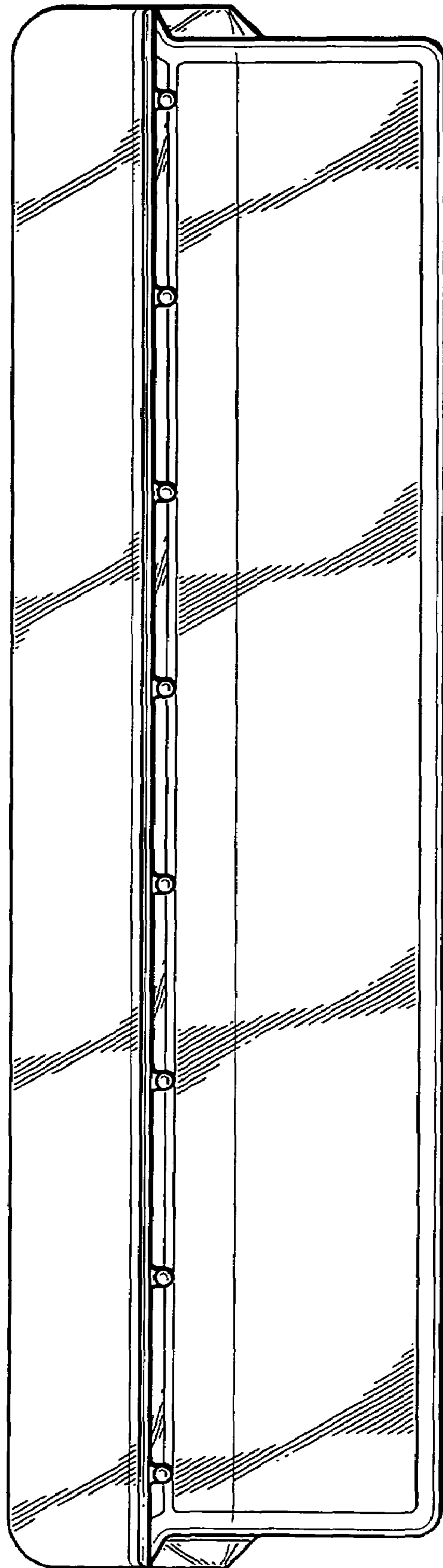


FIG. 5

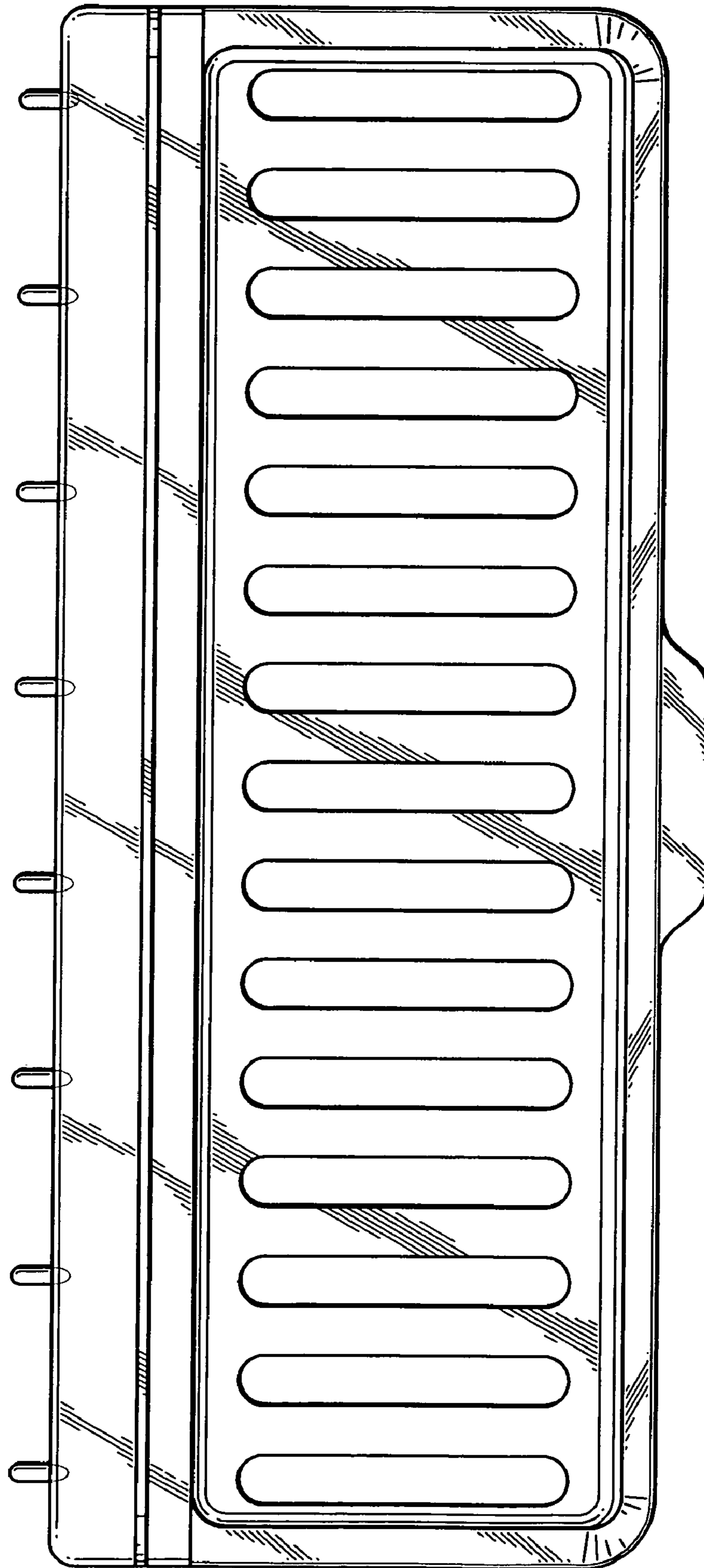


FIG. 6

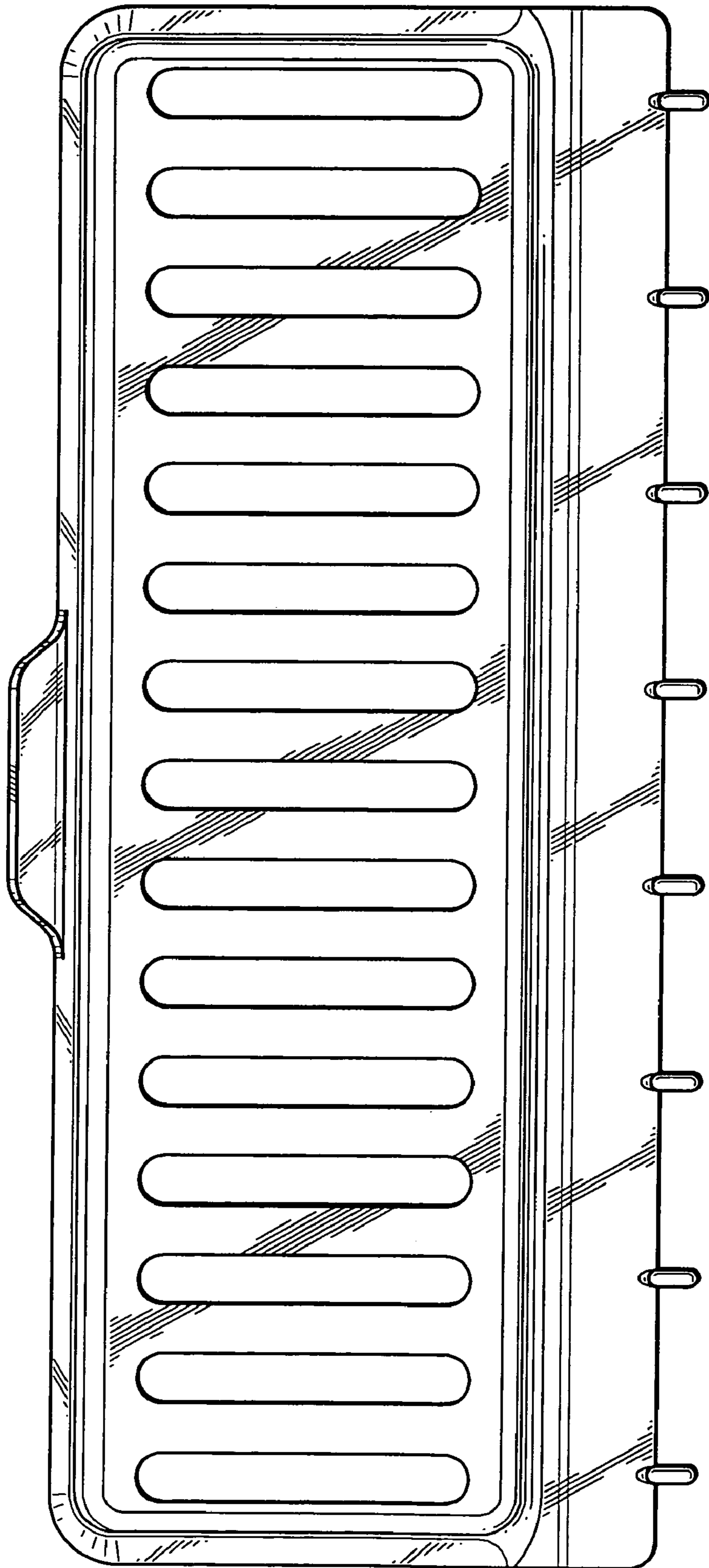


FIG. 7