



US00D550476S

(12) **United States Design Patent**
Liu et al.

(10) **Patent No.:** **US D550,476 S**

(45) **Date of Patent:** **** Sep. 11, 2007**

(54) **FOLDABLE STAND FOR SAW TABLE**

(75) Inventors: **Chia-Sheng Liu**, Chiayi County (TW);
Ming-Feng Liao, Taichung County (TW)

(73) Assignee: **Durq Machinery Corp.**, Taichung (TW)

(**) Term: **14 Years**

(21) Appl. No.: **29/229,935**

(22) Filed: **May 16, 2005**

(30) **Foreign Application Priority Data**

May 5, 2005 (TW) 94302620

(51) **LOC (8) Cl.** **06-03**

(52) **U.S. Cl.** **D6/400; D6/71**

(58) **Field of Classification Search** D8/71;
D6/40, 429, 430, 431, 509; D15/141; D34/12,
D34/14, 16, 24; 108/100; 144/286.1, 287;
83/471.1, 471.2, 471.3, 486.1, 701; 269/17,
269/41, 79, 901; 280/35

See application file for complete search history.

(56) **References Cited**

U.S. PATENT DOCUMENTS

1,930,168 A * 10/1933 Hall 83/471.2
4,640,326 A * 2/1987 Hewitt 269/901
5,863,052 A * 1/1999 Roman 144/286.1
5,927,745 A * 7/1999 Cunningham 280/652
D500,904 S * 1/2005 Probol D34/24
D519,747 S * 5/2006 Wu D6/400

D523,041 S * 6/2006 Wise D15/141
D527,200 S * 8/2006 Wu D6/400
7,086,434 B2 * 8/2006 Lee 144/286.1
D529,252 S * 9/2006 Wu D34/24
2007/0102892 A1 * 5/2007 Chiu 280/35

* cited by examiner

Primary Examiner—T. Chase Nelson

(74) *Attorney, Agent, or Firm*—Bacon & Thomas, PLLC

(57) **CLAIM**

The ornamental design for a foldable stand for saw table, as shown and described.

DESCRIPTION

FIG. 1 shows a perspective view of the present design.

FIG. 2 shows a right side elevational view of the present design.

FIG. 3 shows a top plan view of the present design.

FIG. 4 shows a front elevational view of the present design.

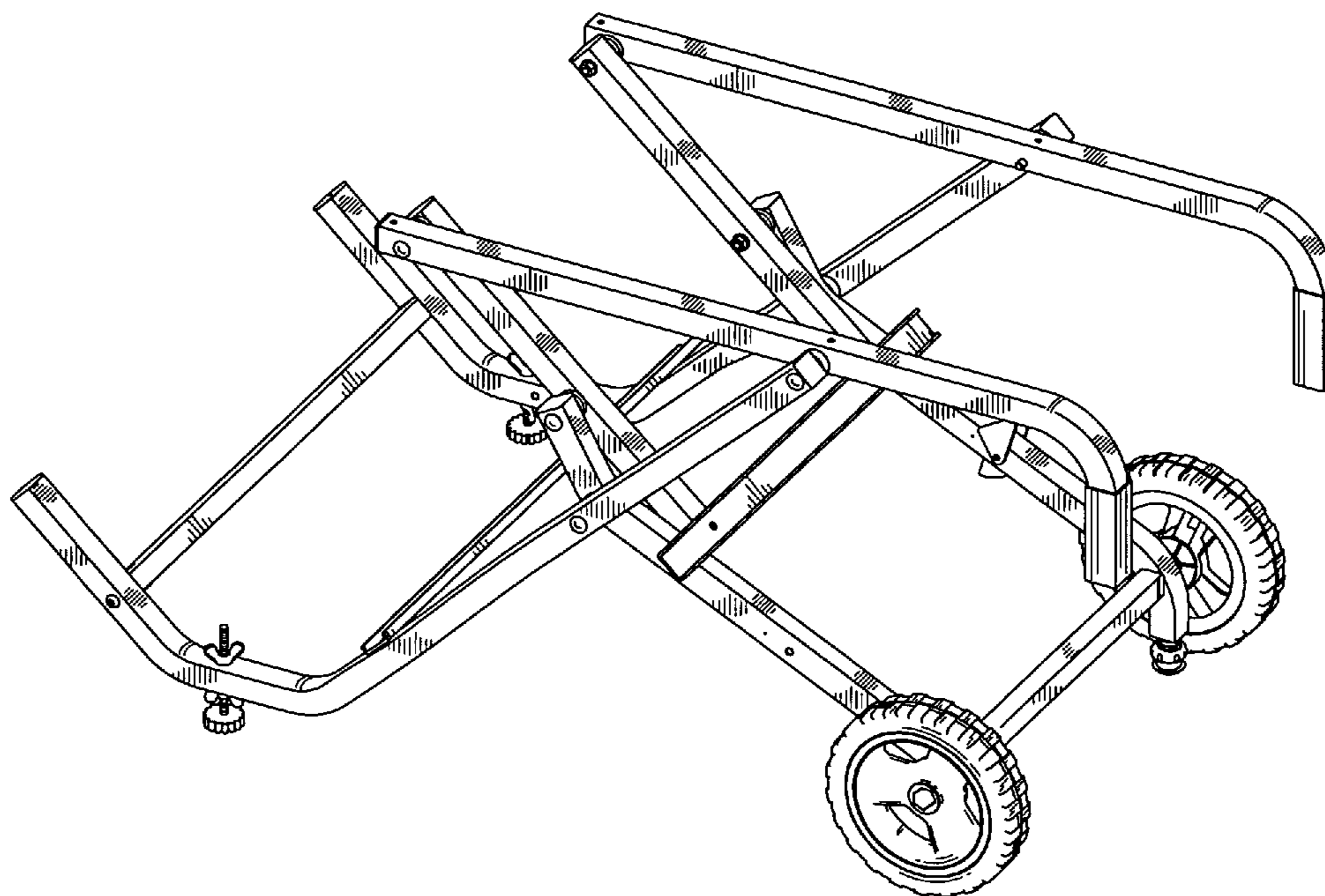
FIG. 5 shows a bottom plan view of the present design.

FIG. 6 shows a left side elevational view of the present design.

FIG. 7 shows a rear elevational view of the present design.

FIG. 8 is a perspective view showing the foldable stand for saw table of the present design in condition of use with a saw table mounted upon it. The broken line drawing of a saw table is for illustrative purposes only and forms no part of the claimed design.

1 Claim, 8 Drawing Sheets



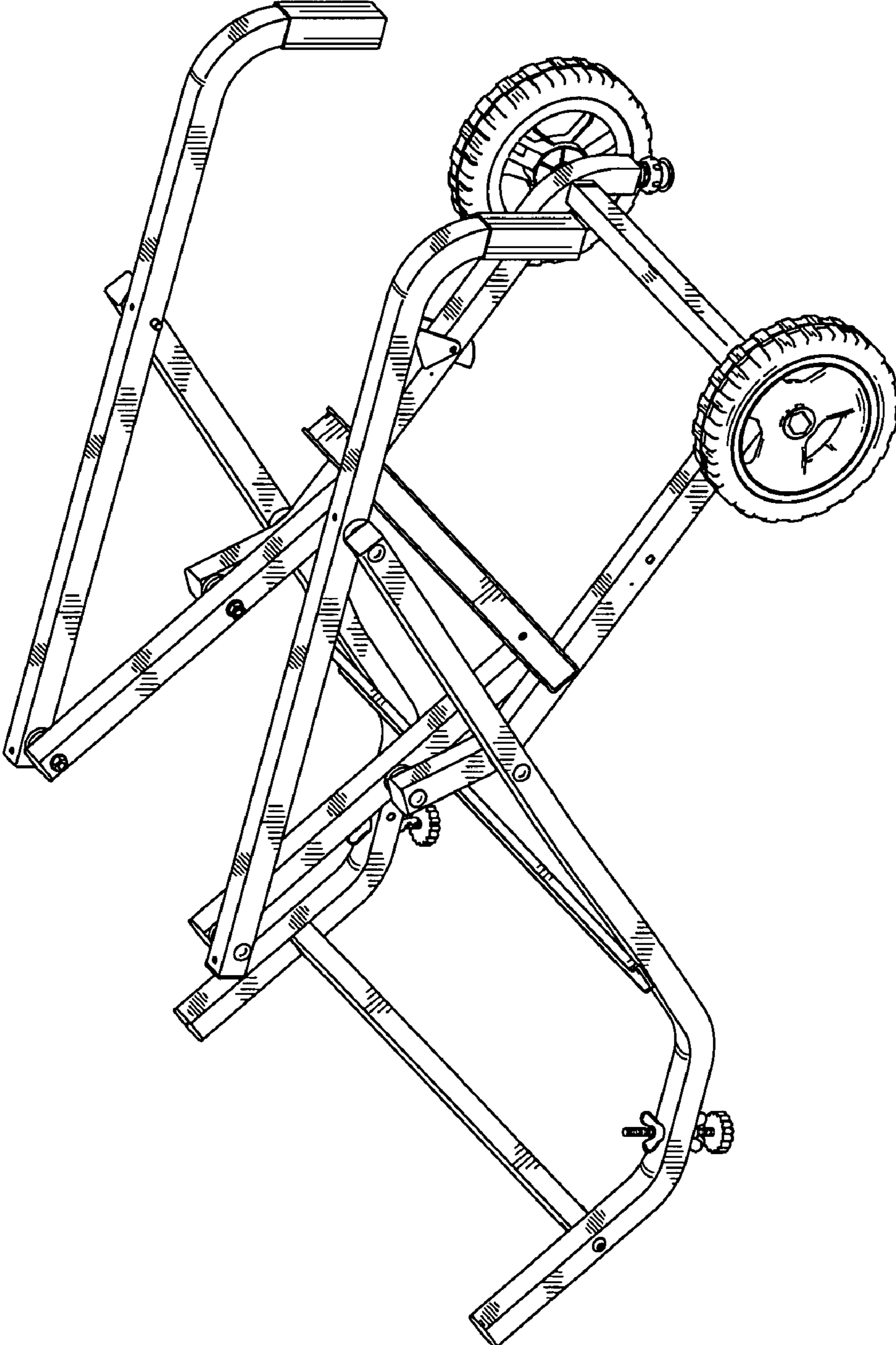


FIG.1

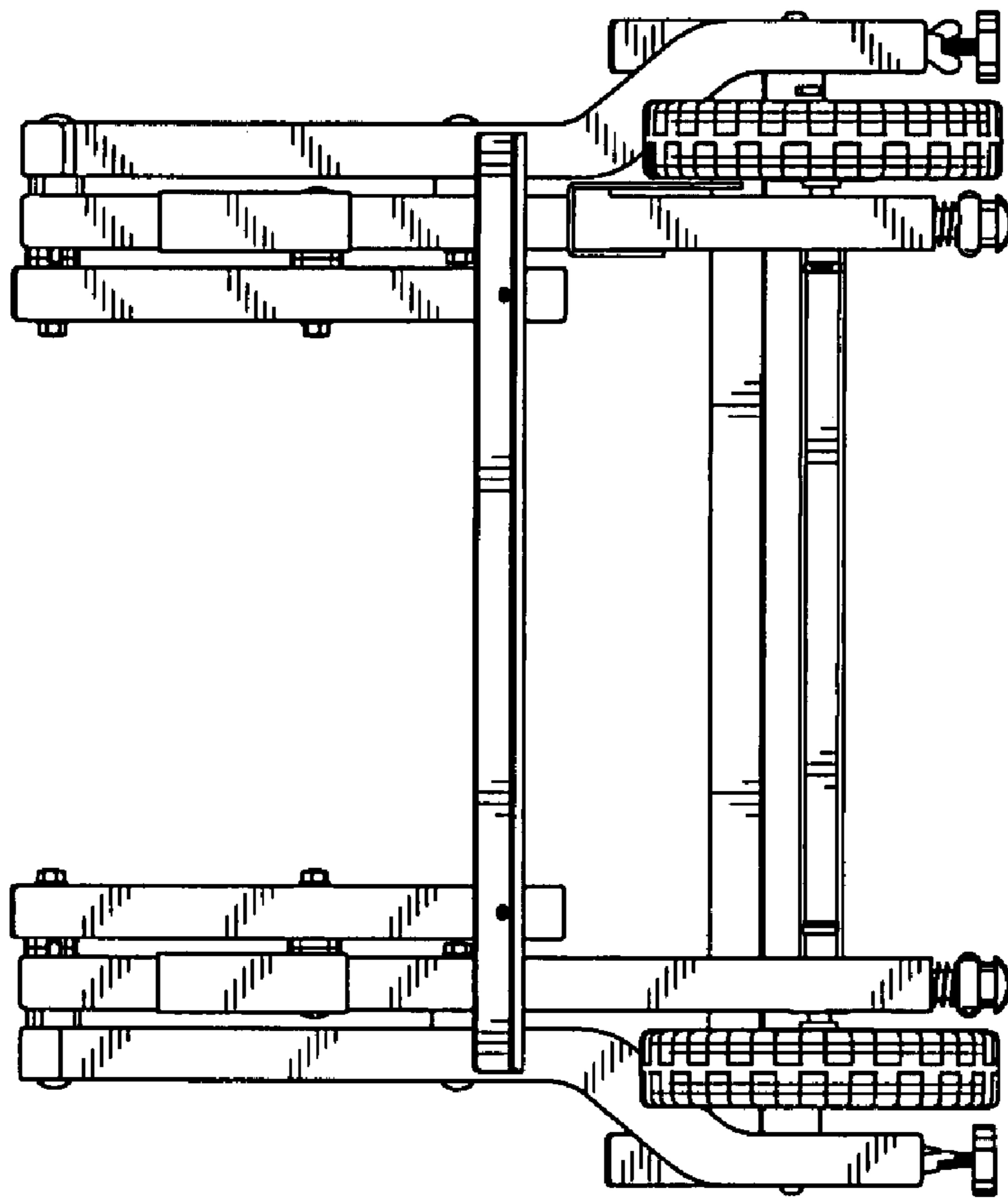


FIG.2

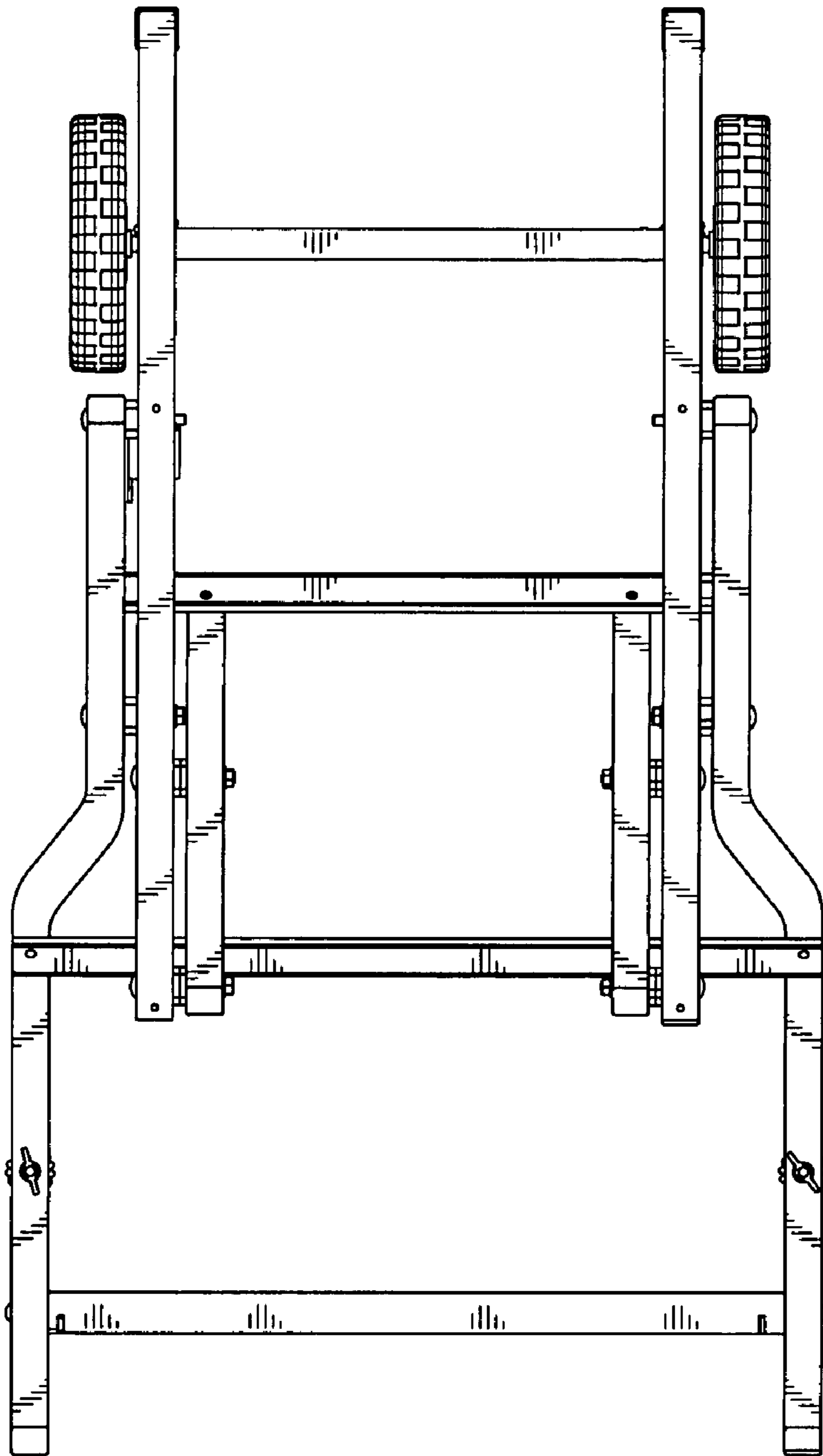


FIG.3

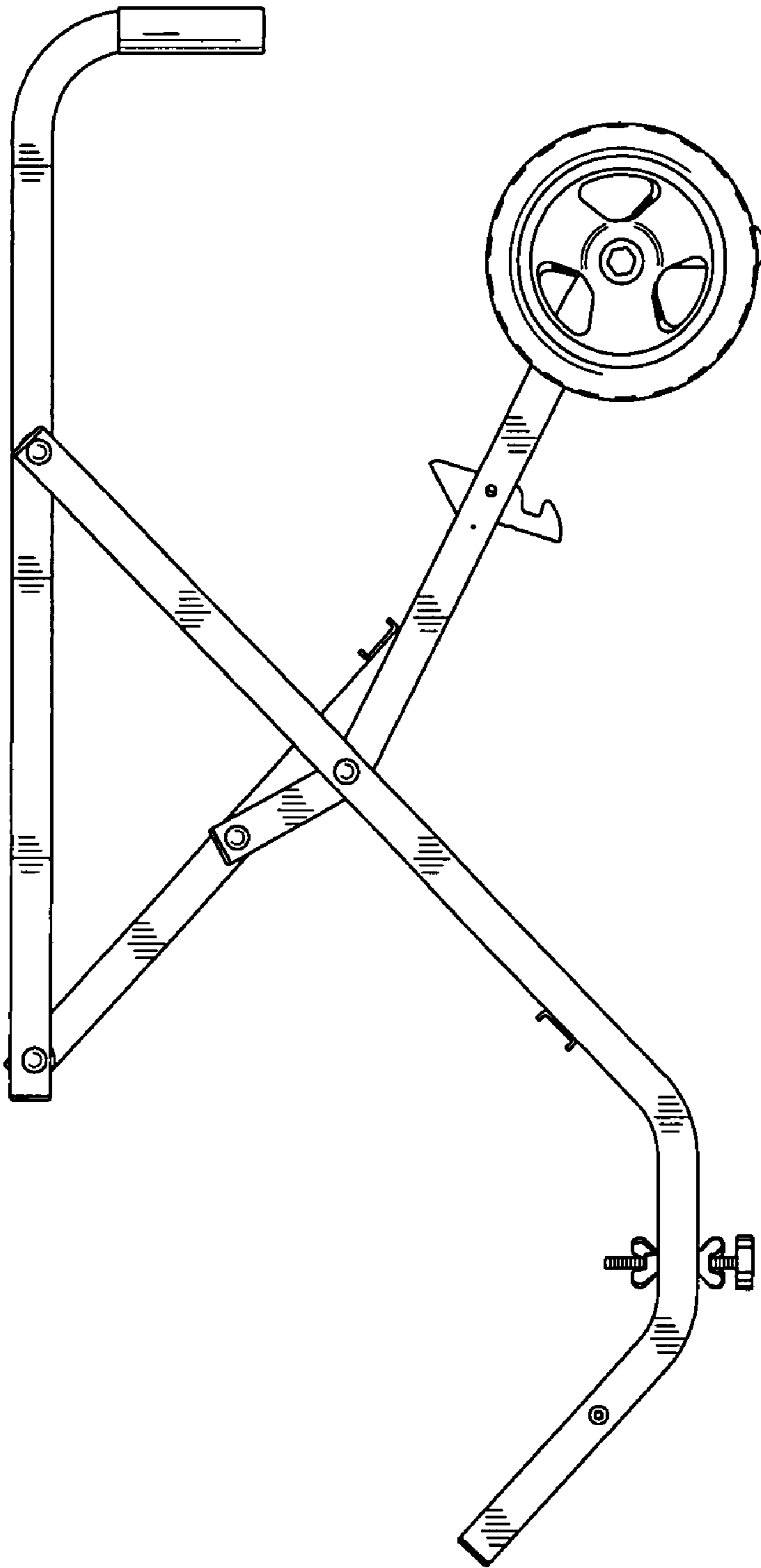


FIG.4

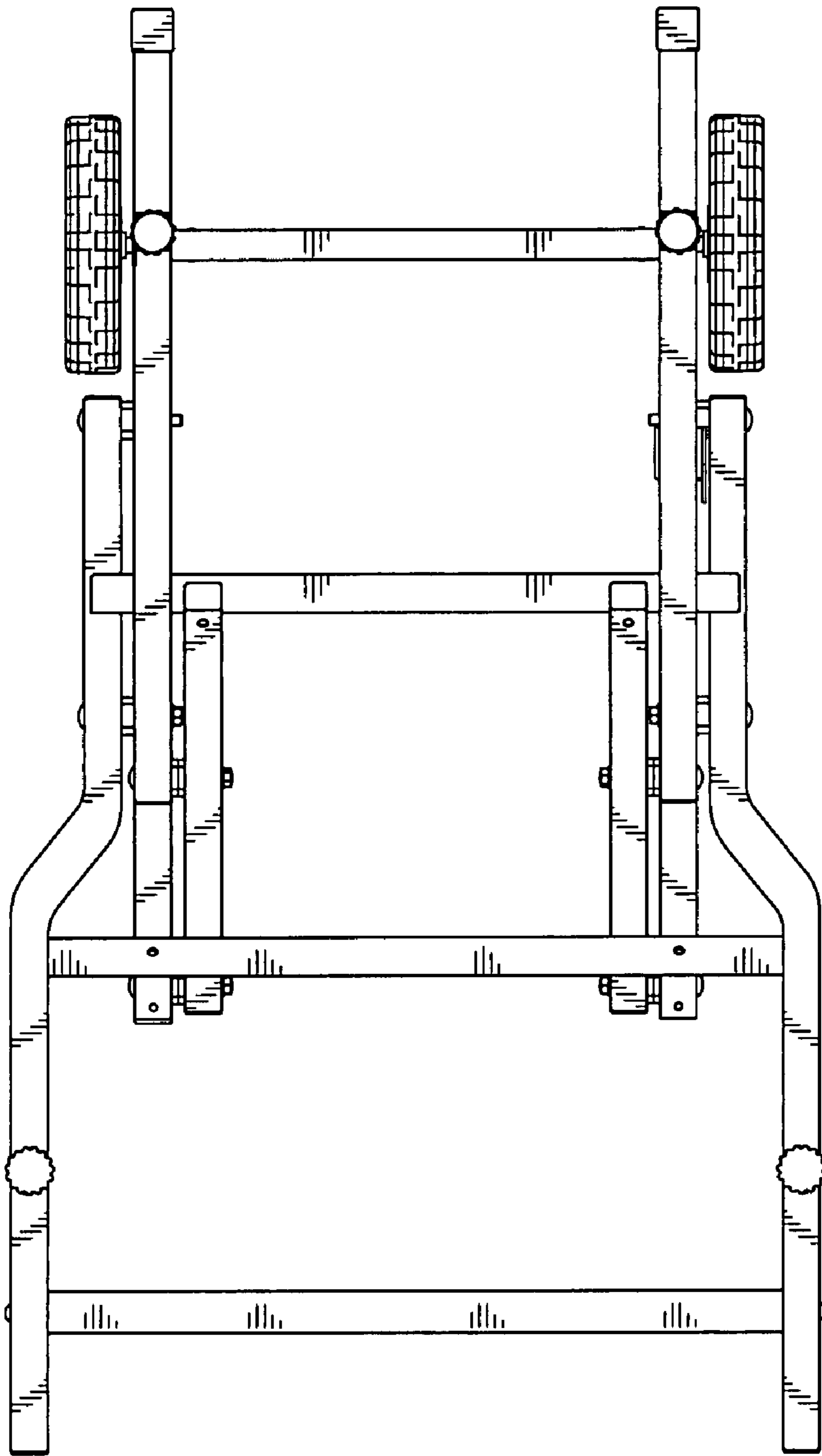


FIG.5

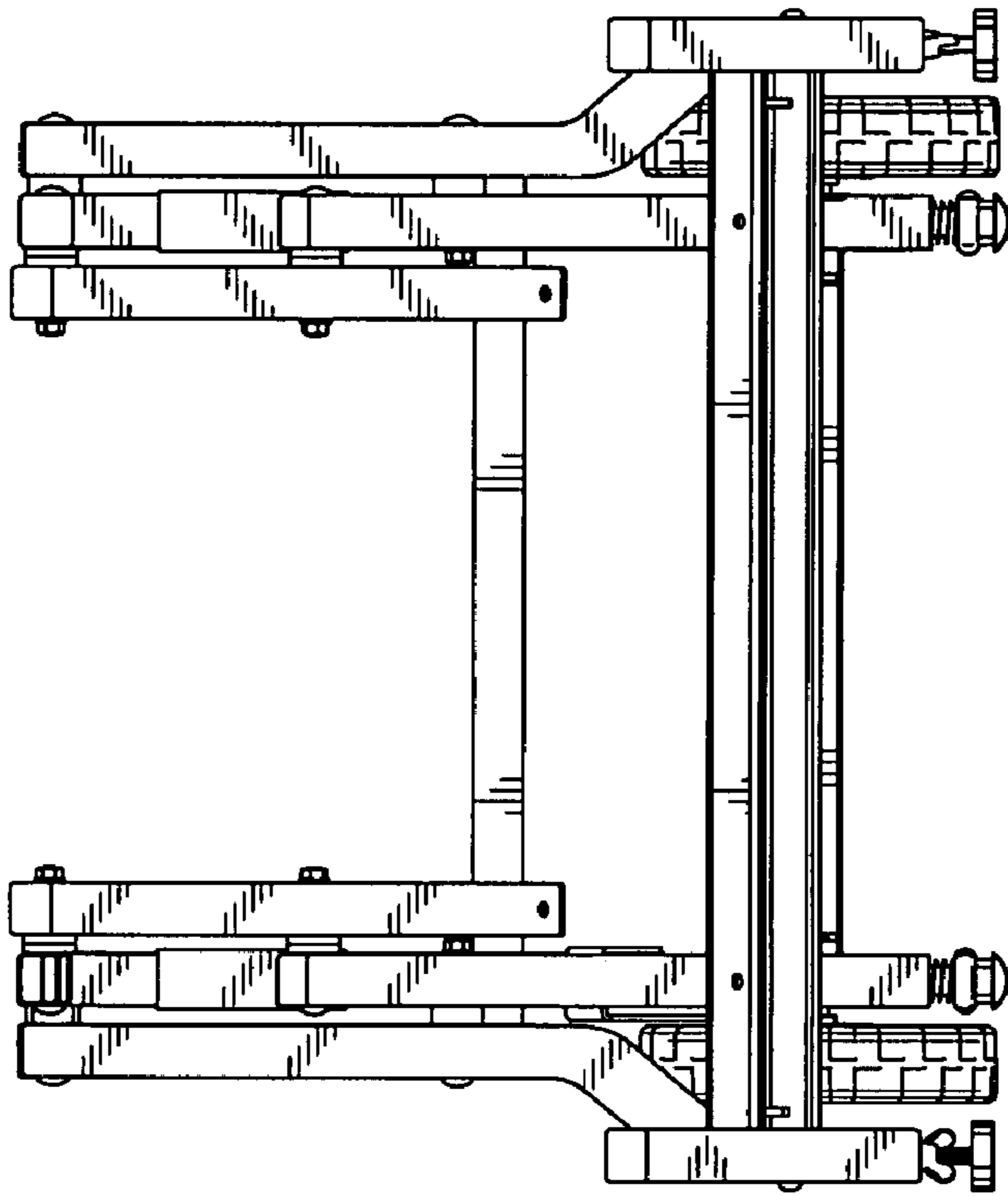


FIG.6

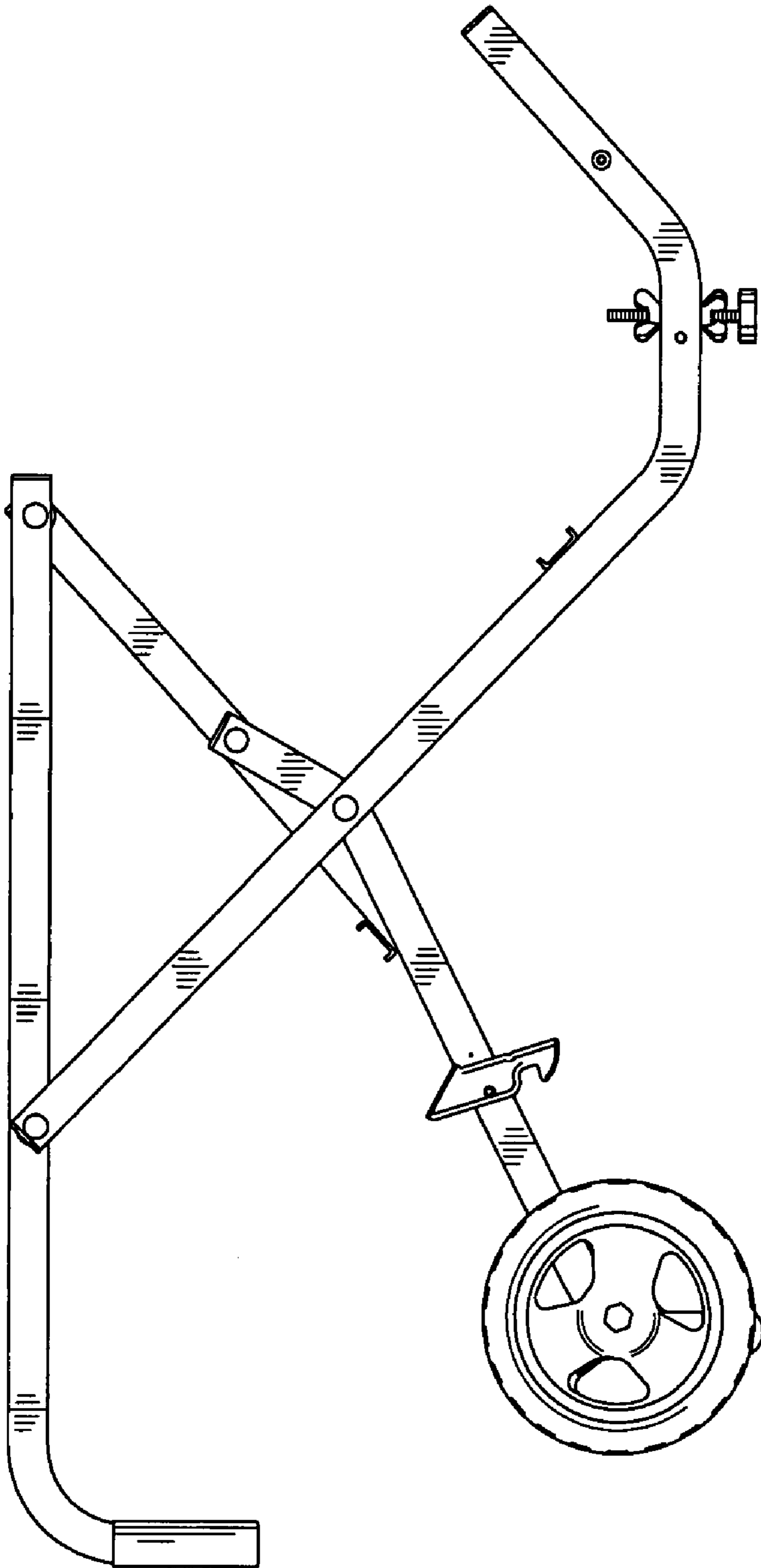


FIG.7

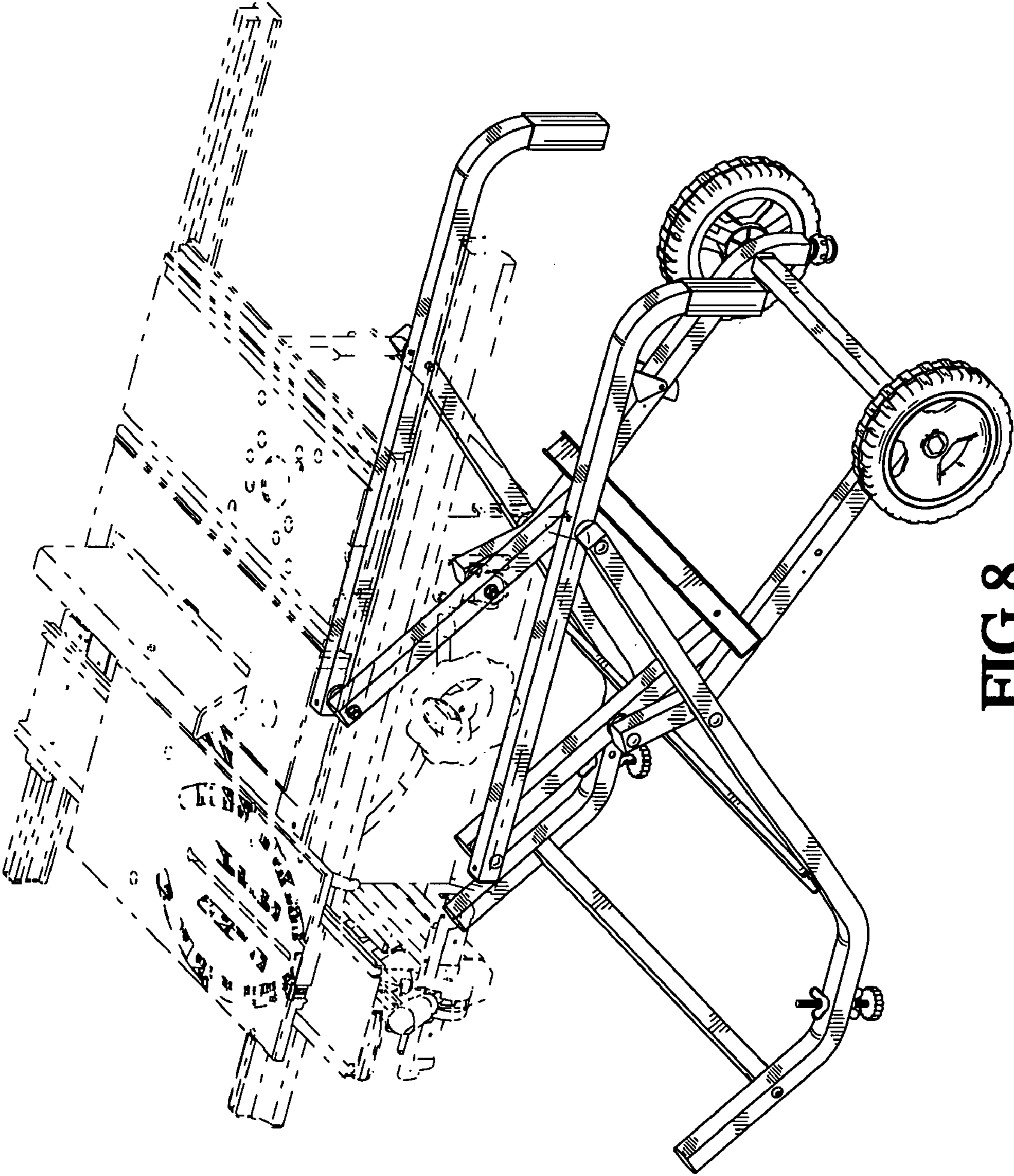


FIG. 8