



US00D550475S

(12) **United States Design Patent**  
**Chevrier et al.**

(10) **Patent No.:** **US D550,475 S**

(45) **Date of Patent:** **\*\* Sep. 11, 2007**

(54) **BUNK BED**

(75) Inventors: **Rejean Chevrier**, Burlington (CA);  
**Jonathan Chapman**, Waterdown (CA)

(73) Assignee: **Bedlam Dreams Inc.**, Burlington, ON  
(CA)

(\*\*) Term: **14 Years**

(21) Appl. No.: **29/245,278**

(22) Filed: **Dec. 22, 2005**

(51) **LOC (8) Cl.** ..... **06-01**

(52) **U.S. Cl.** ..... **D6/388**

(58) **Field of Classification Search** ..... D6/382-384,  
D6/388, 389, 393-395, 505-508; 5/53.1,  
5/907, 279.1, 280, 281, 2.1, 4, 9.1, 8; D21/533  
See application file for complete search history.

(56) **References Cited**

**U.S. PATENT DOCUMENTS**

D189,741 S *	2/1961	Gatov .....	D6/388
5,044,024 A *	9/1991	Del Rose .....	5/400
D347,125 S *	5/1994	Brunel .....	D6/388
D390,035 S *	2/1998	Suarez .....	D6/390
D404,214 S *	1/1999	Zaidman .....	D6/384
D407,862 S *	4/1999	Gasiorek .....	D30/118
D488,316 S *	4/2004	Libardi .....	D6/388

\* cited by examiner

*Primary Examiner*—Janice E. Seeger

(74) *Attorney, Agent, or Firm*—Patrick J. Hofbauer; Kevin E. Holbeche

(57) **CLAIM**

The ornamental design for a bunk bed, as shown and described.

**DESCRIPTION**

FIG. 1 is a right side elevational view of a bunk bed;

FIG. 2 is a left side elevational view of the bed shown in FIG. 1;

FIG. 3 is a top plan view of the bed shown in FIG. 1;

FIG. 4 is a bottom view of the bed shown in FIG. 1; and

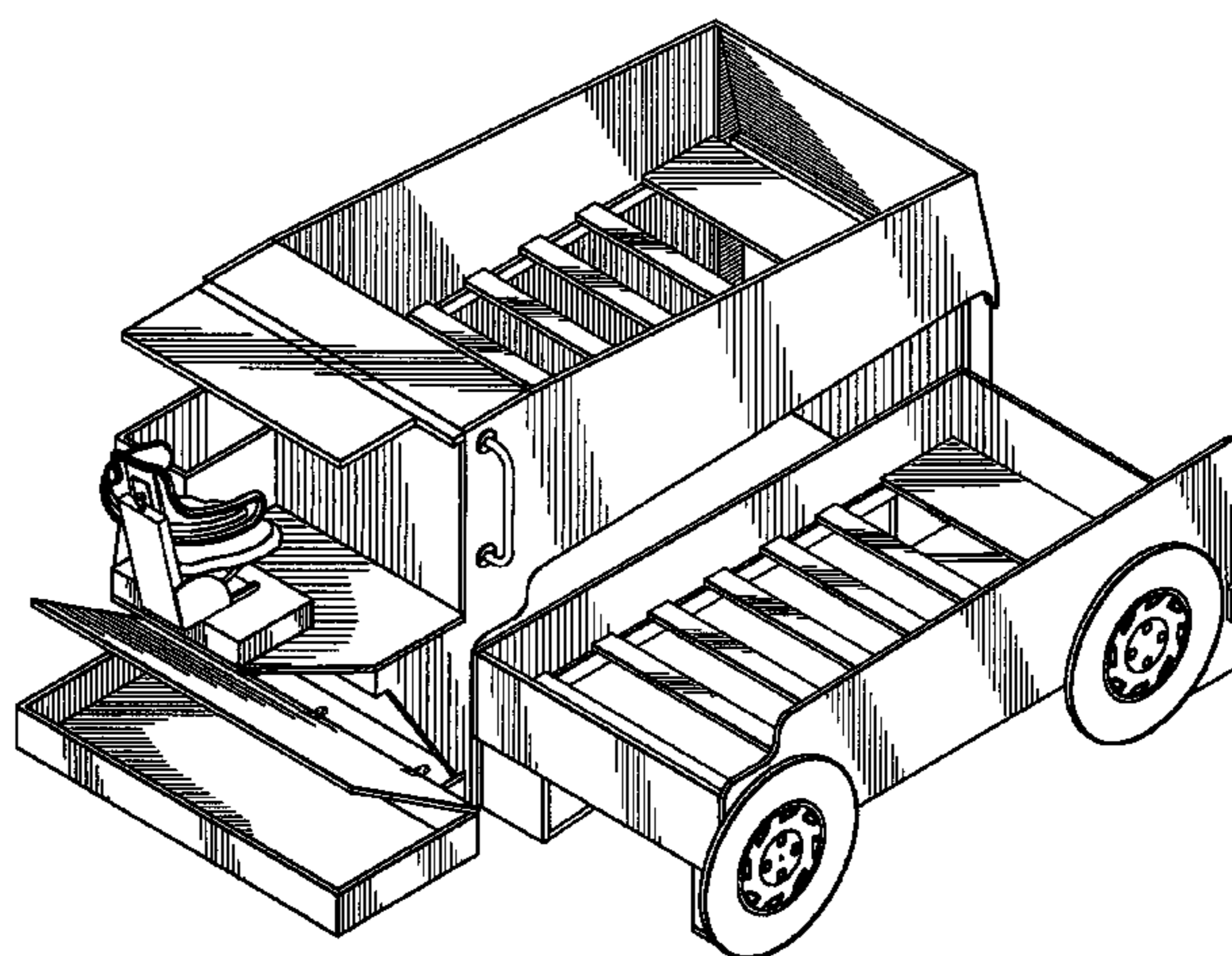
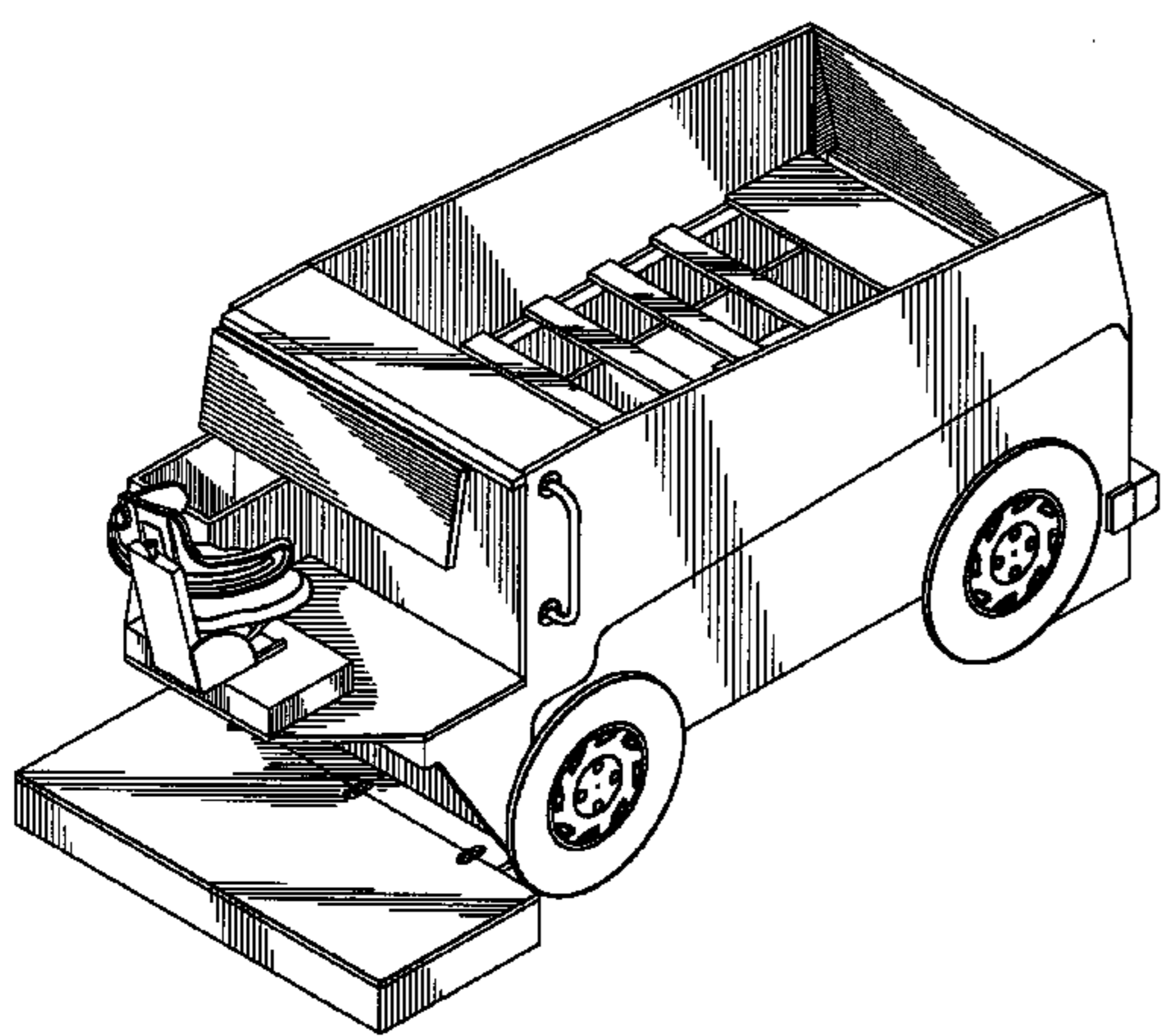
FIG. 5 is a front elevational view of the bed shown in FIG. 1;

FIG. 6 is a rear elevational view of the bed shown in FIG. 1;

FIG. 7 is a top rear right perspective view of the bed shown in FIG. 1; and,

FIG. 8 is a top rear right perspective view of the bed of FIG. 1, shown with a desk portion thereof in a raised configuration, and with storage bin and lower bunk portions thereof each respectively in an opened configuration.

**1 Claim, 5 Drawing Sheets**



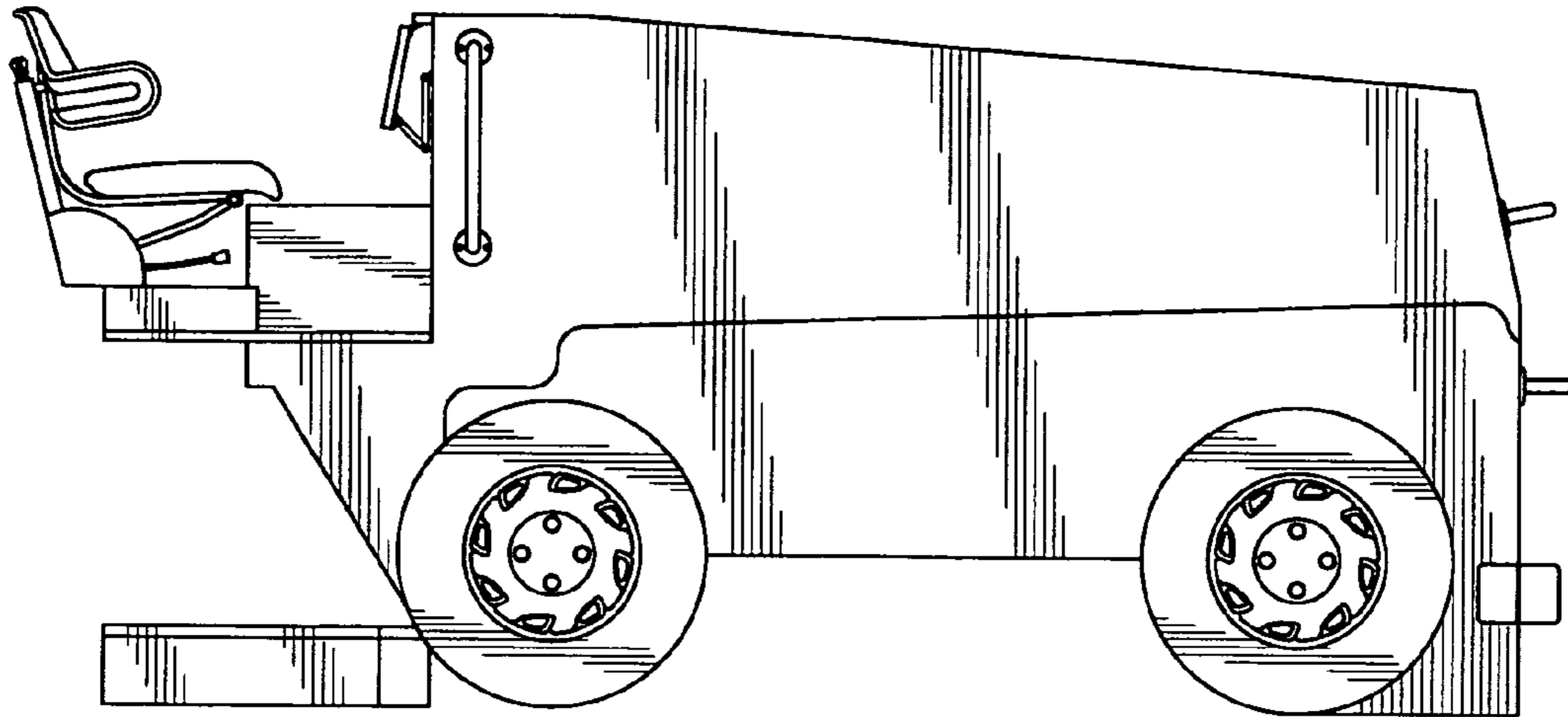


FIG.1

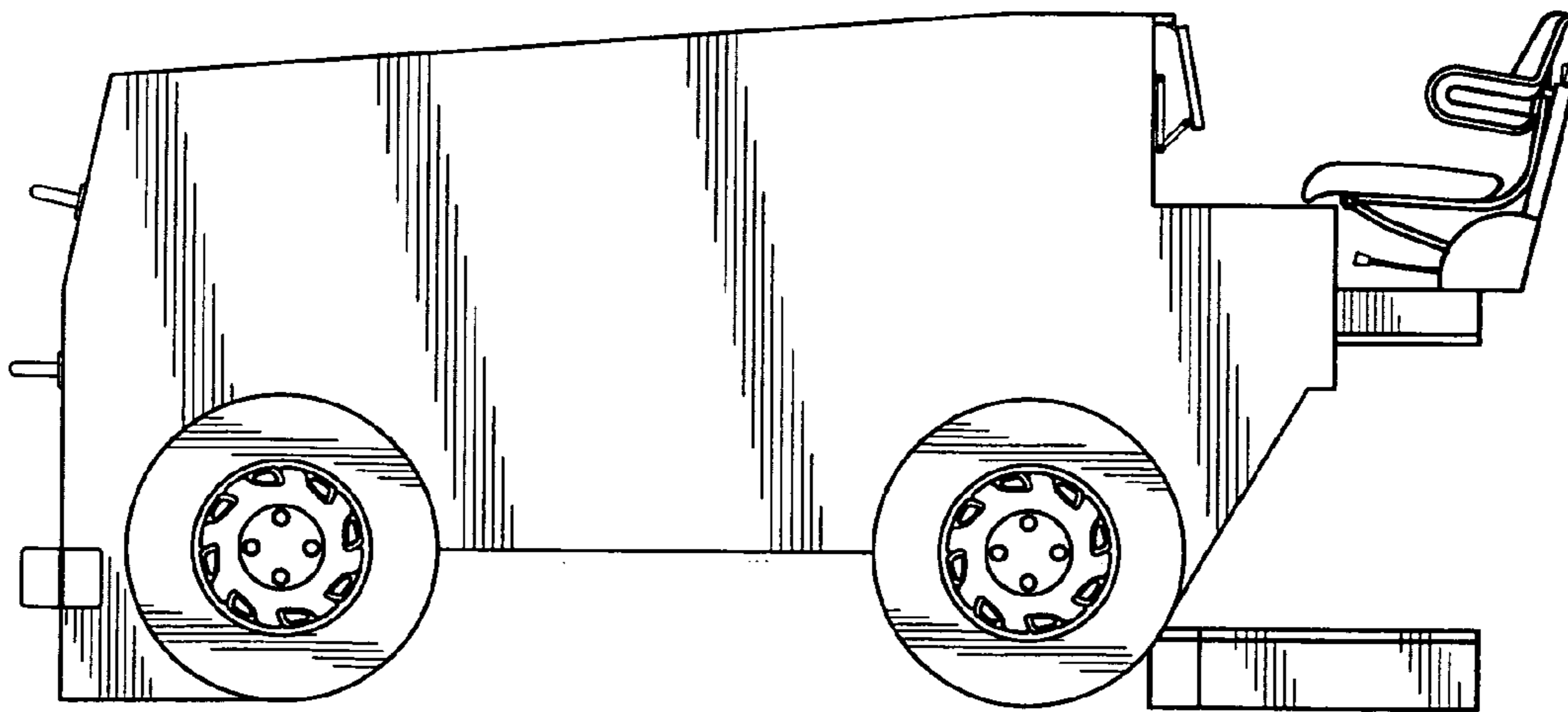


FIG.2

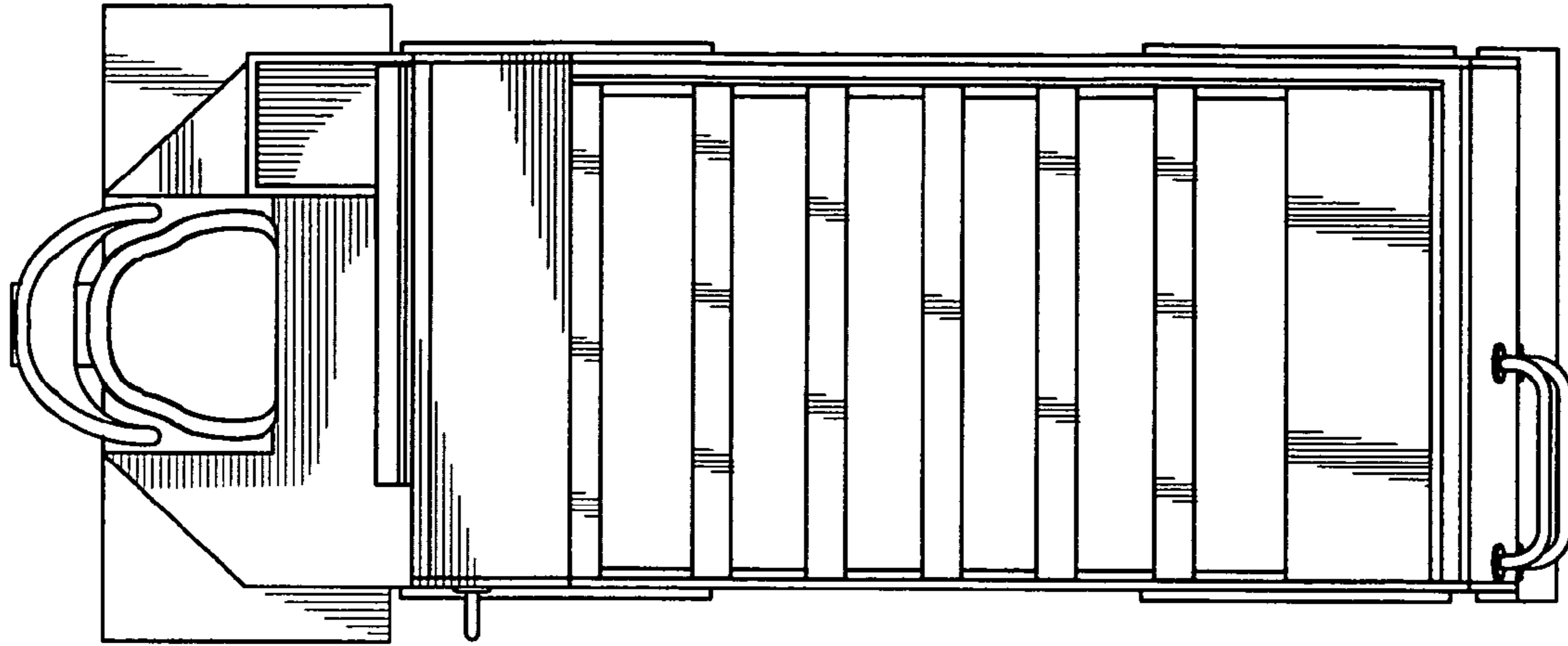


FIG. 3

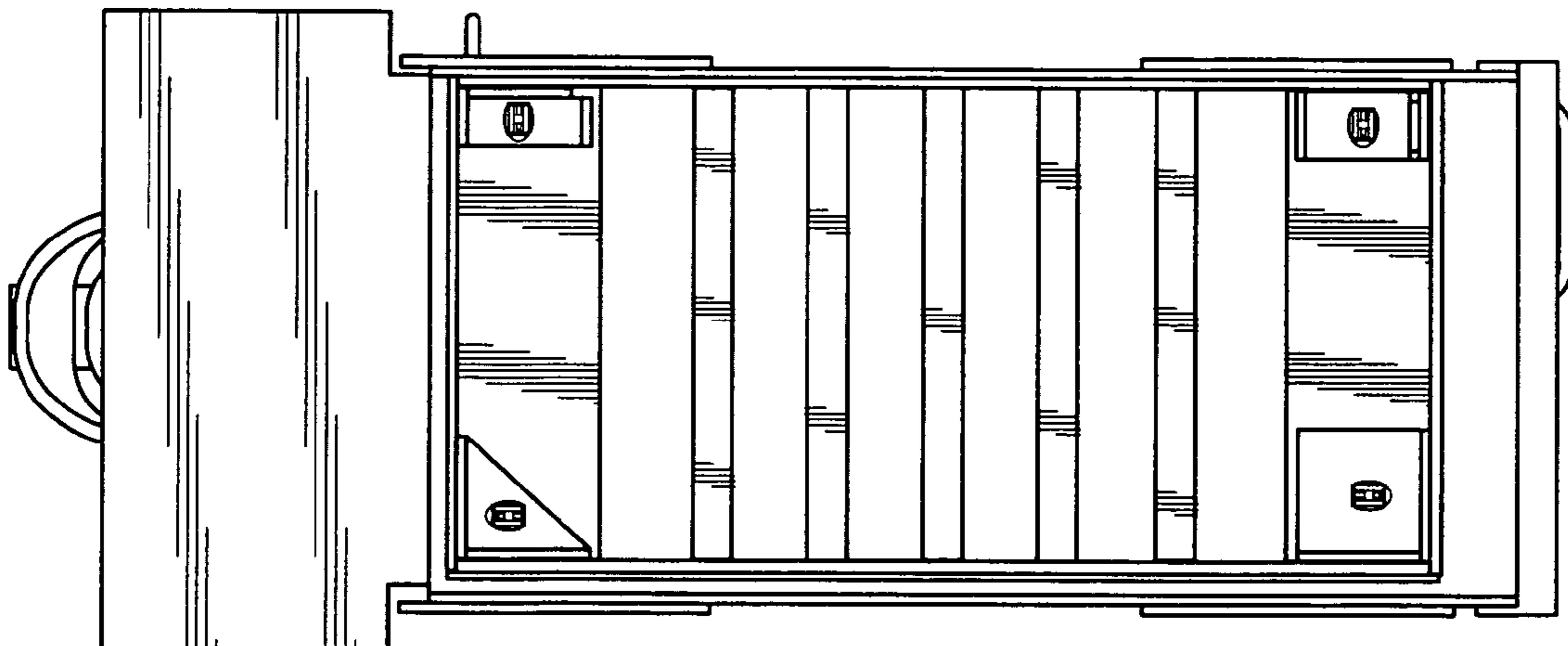


FIG. 4

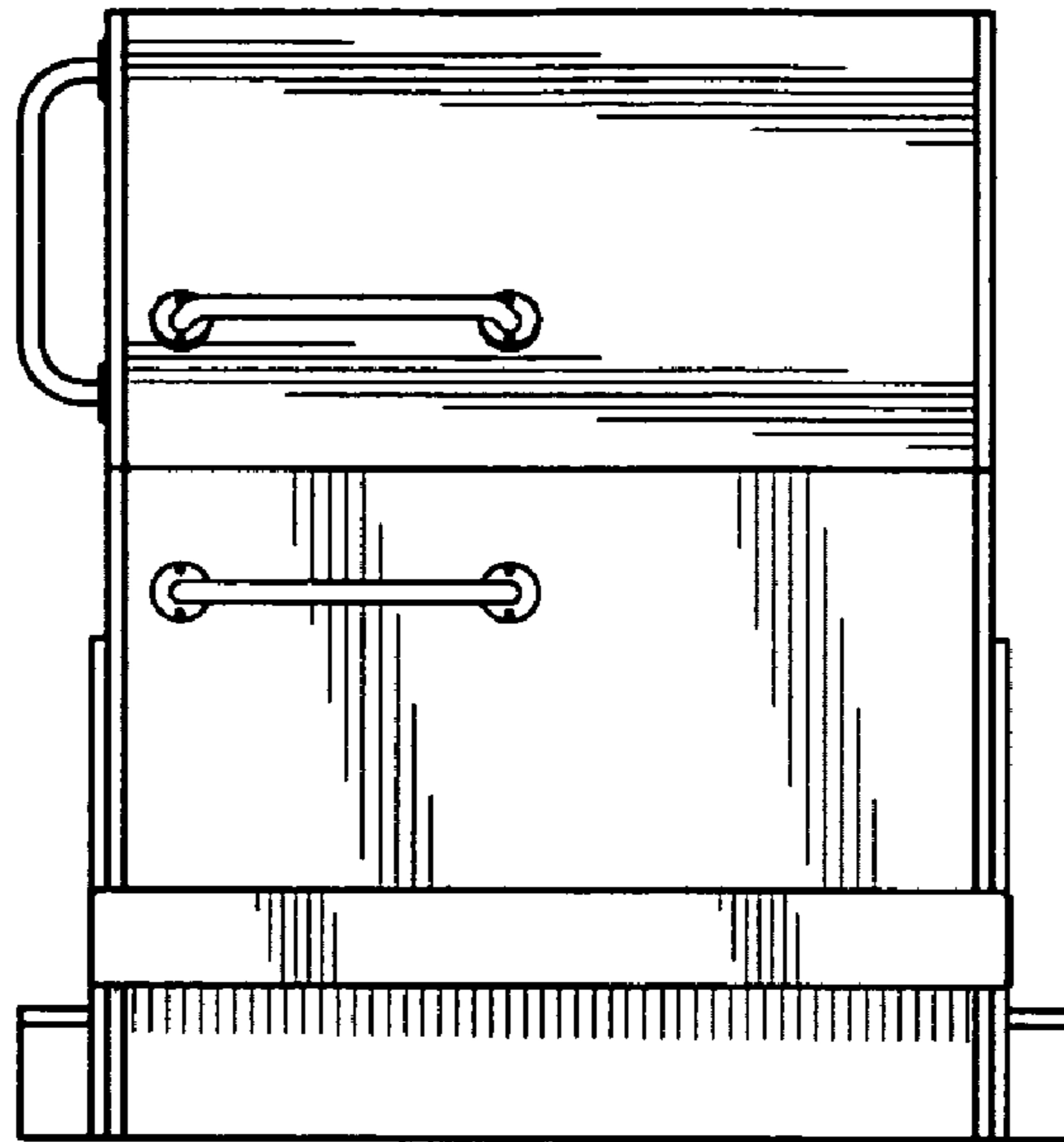


FIG. 5

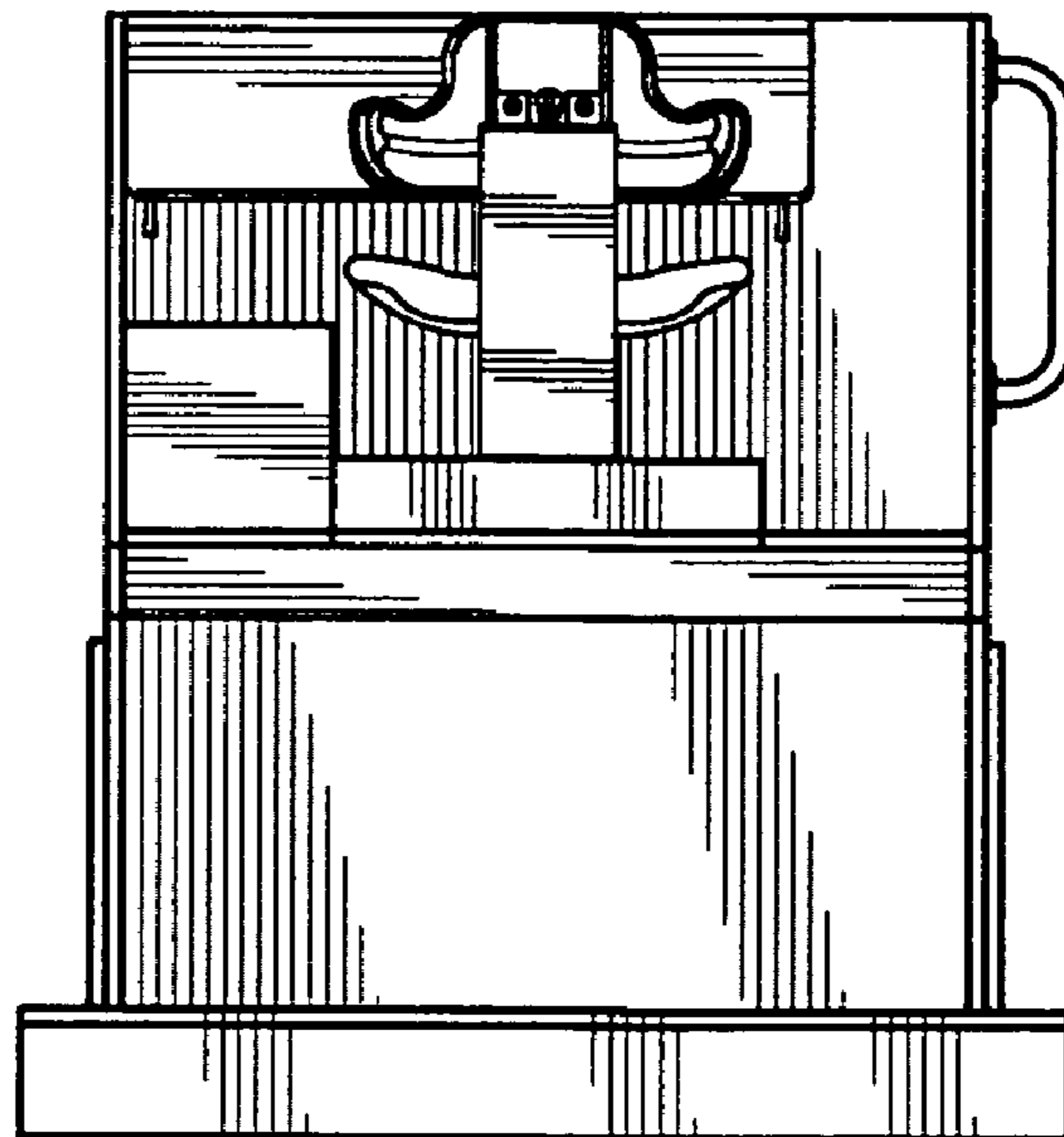


FIG. 6

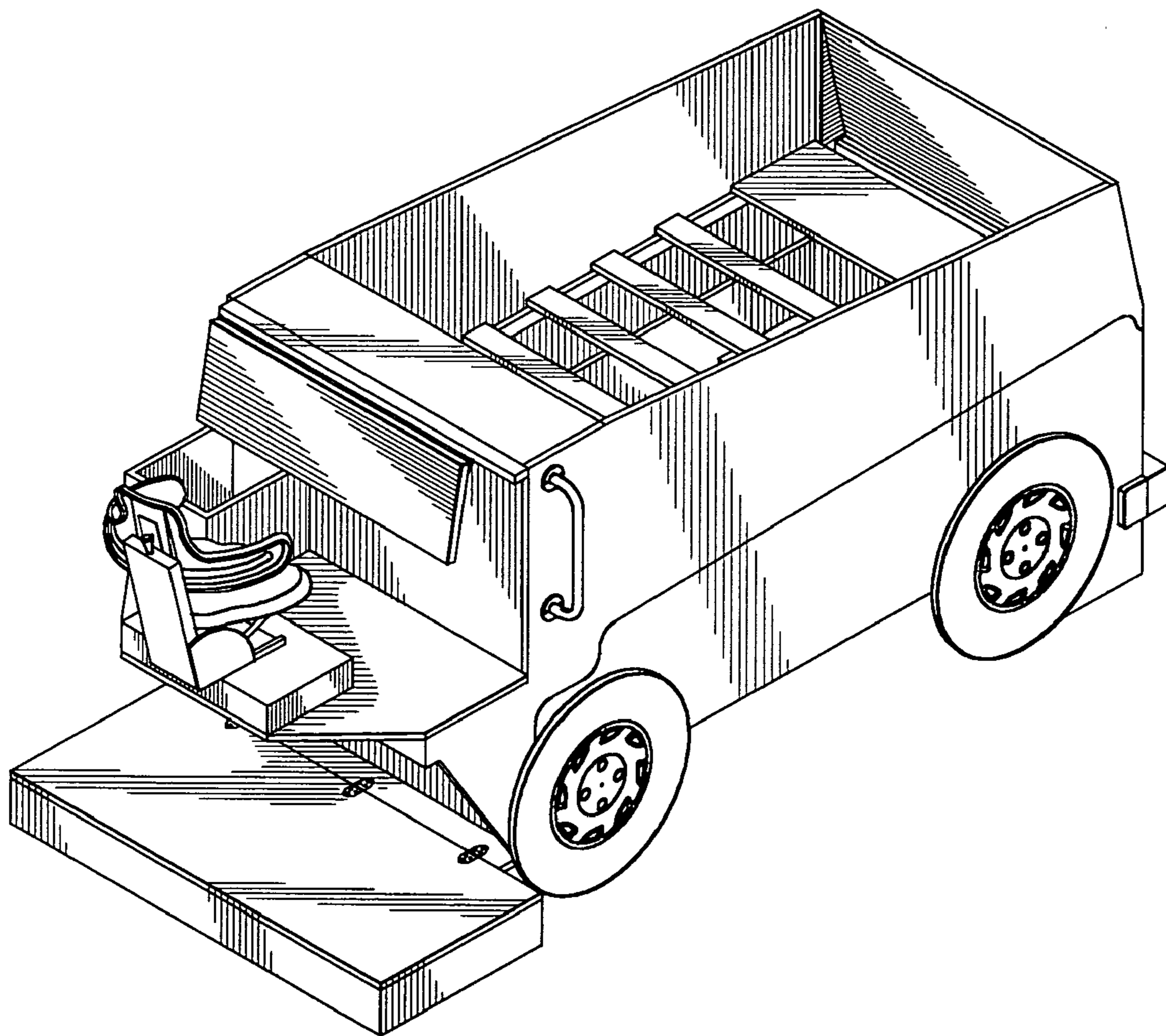


FIG.7

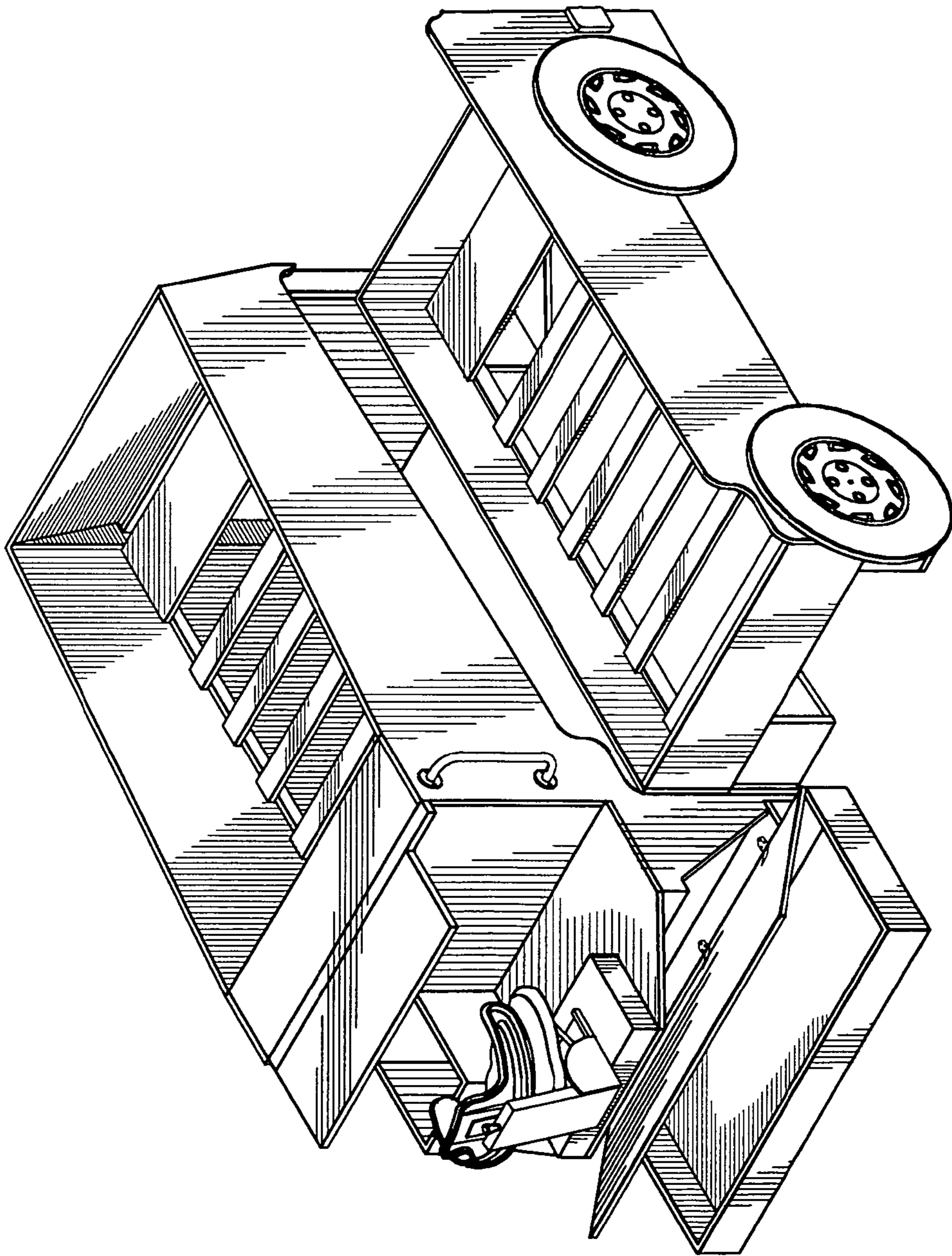


FIG.8