



US00D550472S

(12) **United States Design Patent**
Libeskind

(10) **Patent No.:** **US D550,472 S**

(45) **Date of Patent:** **** Sep. 11, 2007**

(54) **CHAIR**

(75) Inventor: **Daniel Libeskind**, New York, NY (US)

(73) Assignee: **Wilde + Spieth GbR**, Esslingen (DE)

(**) Term: **14 Years**

(21) Appl. No.: **29/244,285**

(22) Filed: **Dec. 8, 2005**

(30) **Foreign Application Priority Data**

Jun. 10, 2005 (DE) 4 05 03 040

(51) **LOC (8) Cl.** **06-06**

(52) **U.S. Cl.** **D6/377; D6/379**

(58) **Field of Classification Search** D6/334-336,
D6/360, 363, 370, 374, 376, 379, 380, 500-50;
297/239, 445.1, 446.1

See application file for complete search history.

(56) **References Cited**

U.S. PATENT DOCUMENTS

D338,565 S * 8/1993 Tihany D6/363

D411,694 S * 6/1999 Bartlmae D6/380

D429,911 S * 8/2000 Bartlmae D6/380

D468,926 S * 1/2003 Bongaerts D6/380

D478,223 S * 8/2003 Luthersson D6/376

D485,081 S * 1/2004 Bongaerts D6/360

D498,071 S * 11/2004 Ashby et al. D6/374

* cited by examiner

Primary Examiner—Mimosa De

(74) *Attorney, Agent, or Firm*—Crowell & Moring LLP

(57) **CLAIM**

The ornamental design for a chair, as shown and described.

DESCRIPTION

FIG. 1: a perspective view of the chair showing my new design;

FIG. 2: a front elevation view thereof;

FIG. 3: a side elevation view thereof;

FIG. 4: the opposite side elevation view thereof;

FIG. 5: a rear elevation view thereof;

FIG. 6: a top plan view thereof; and,

FIG. 7: a bottom plan view thereof.

1 Claim, 6 Drawing Sheets

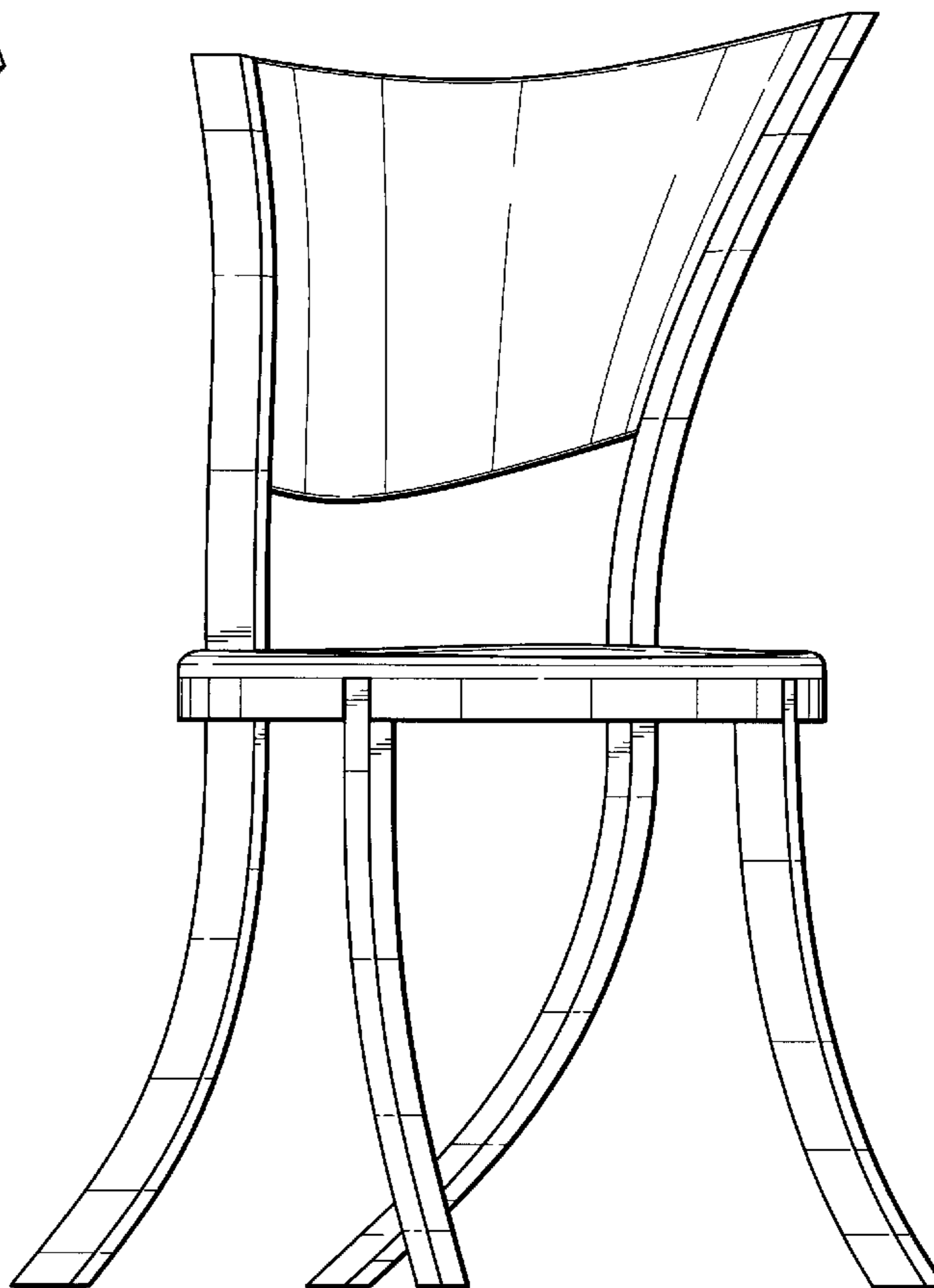
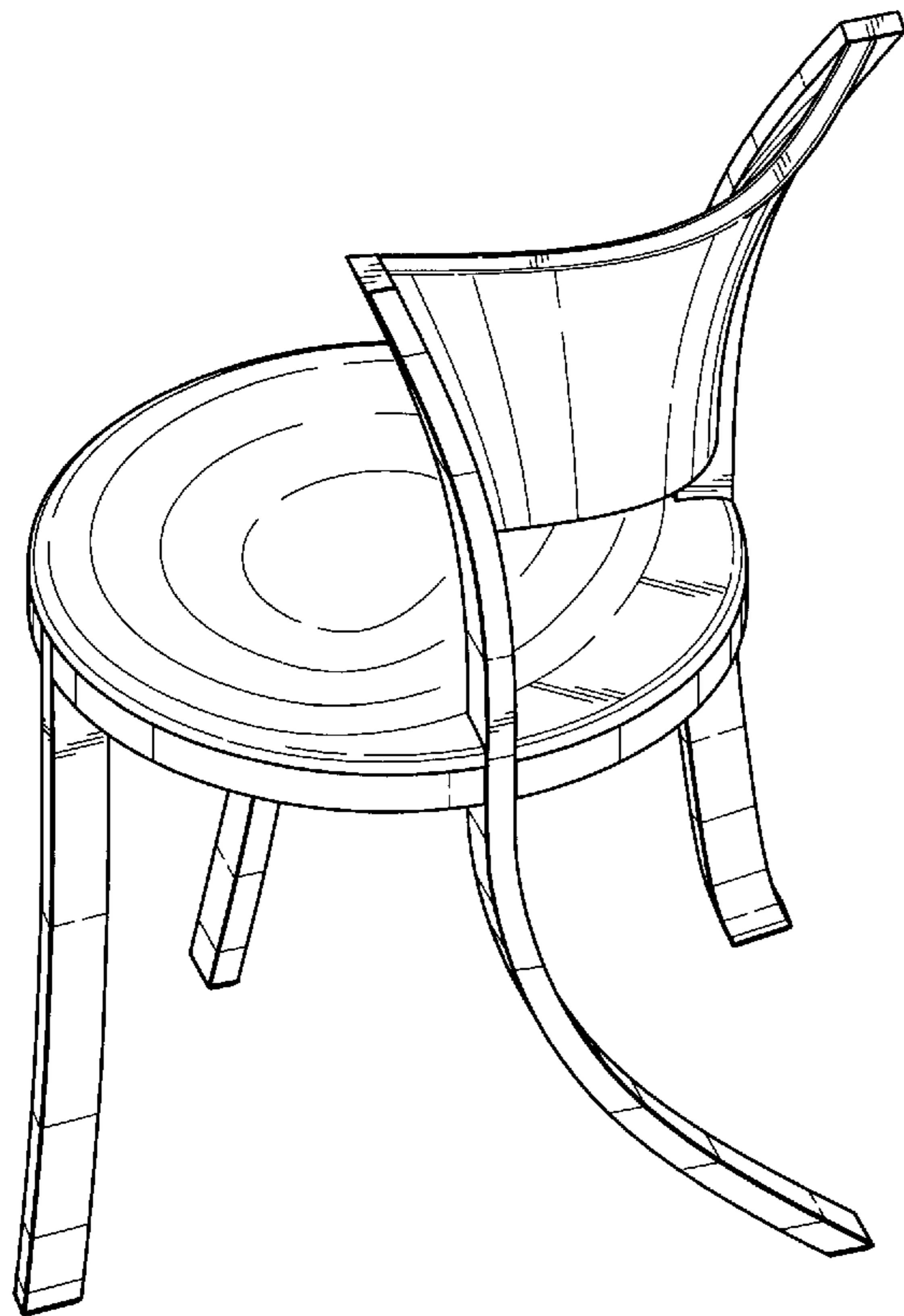


FIG. 1

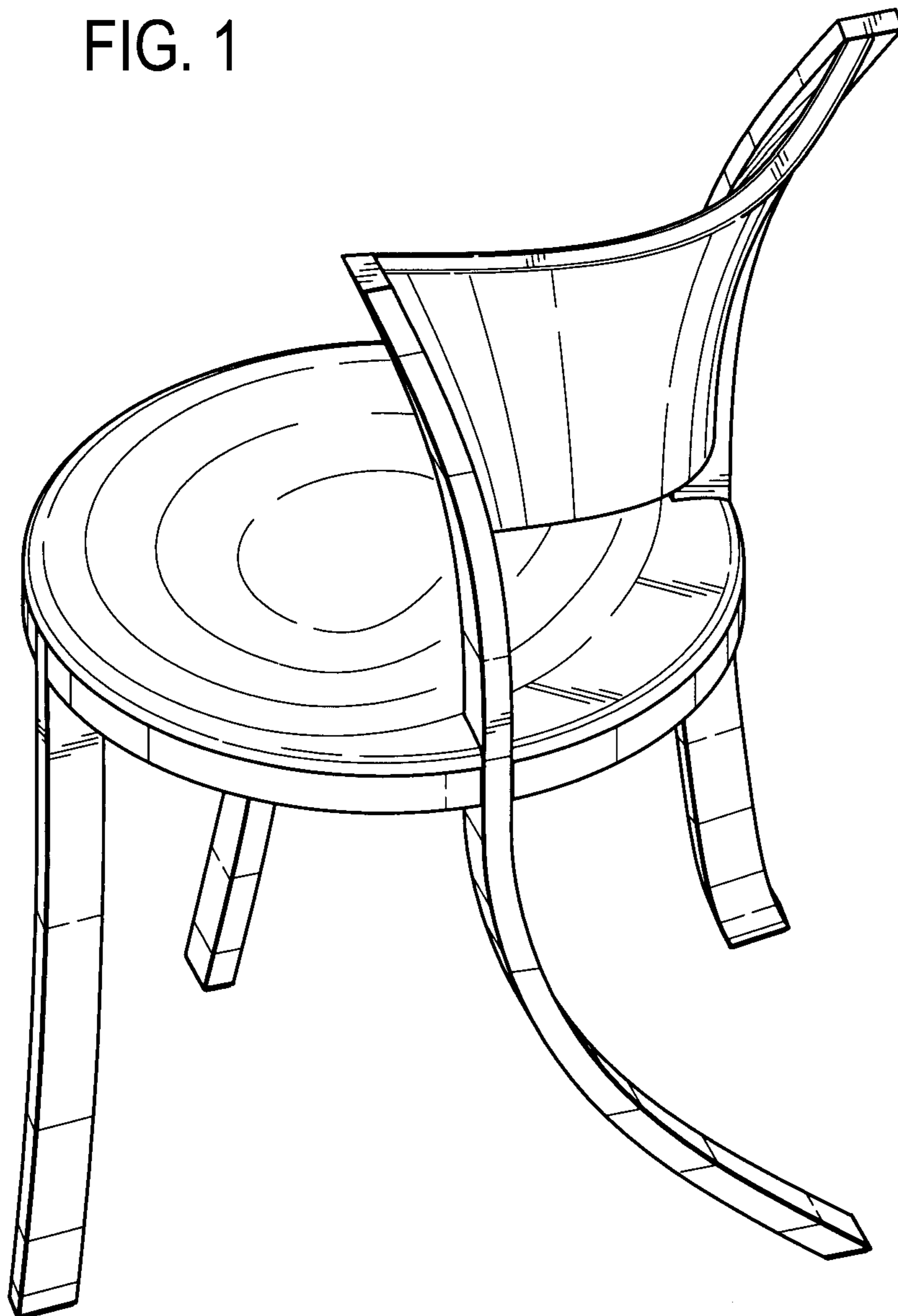
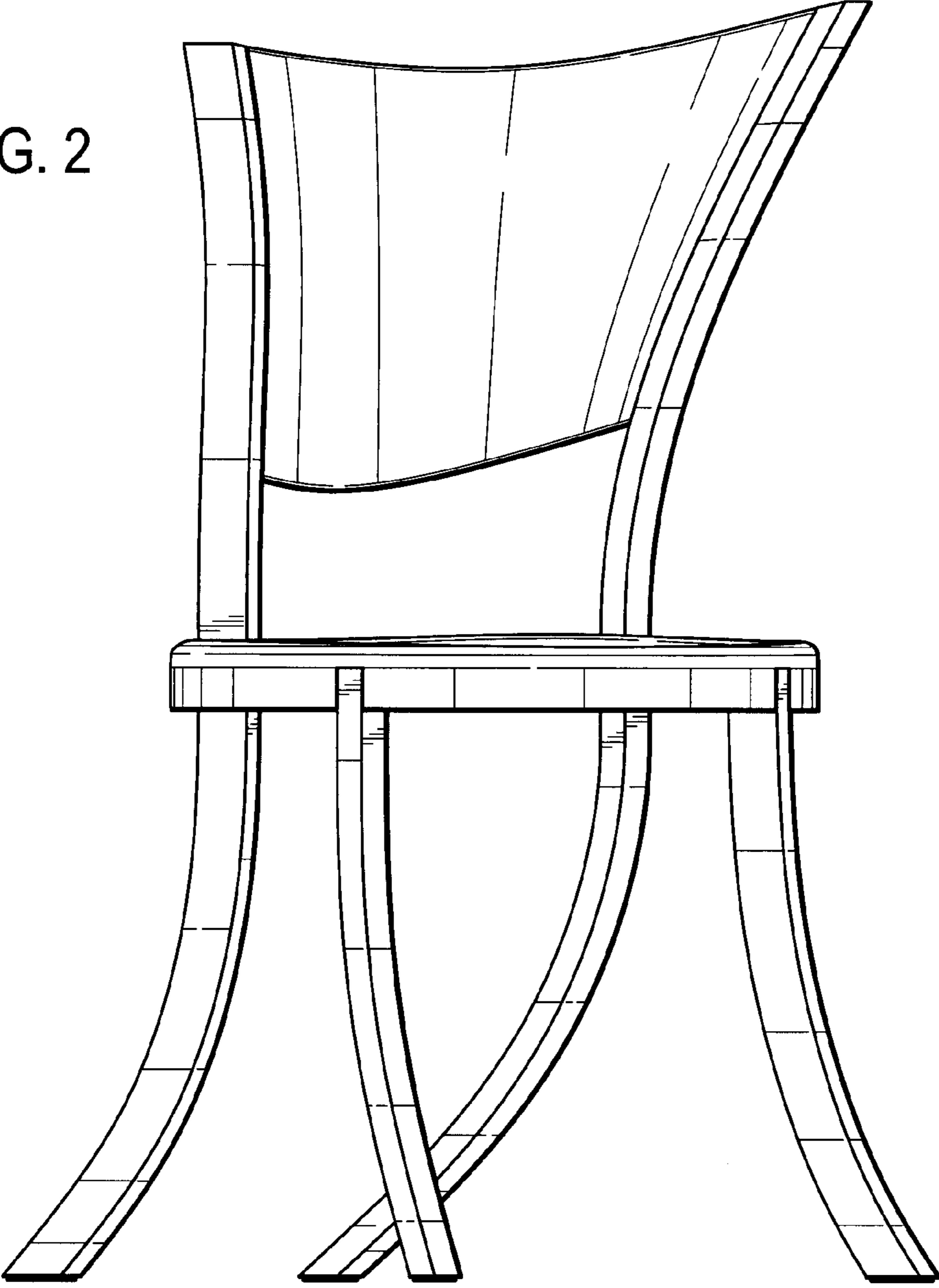


FIG. 2



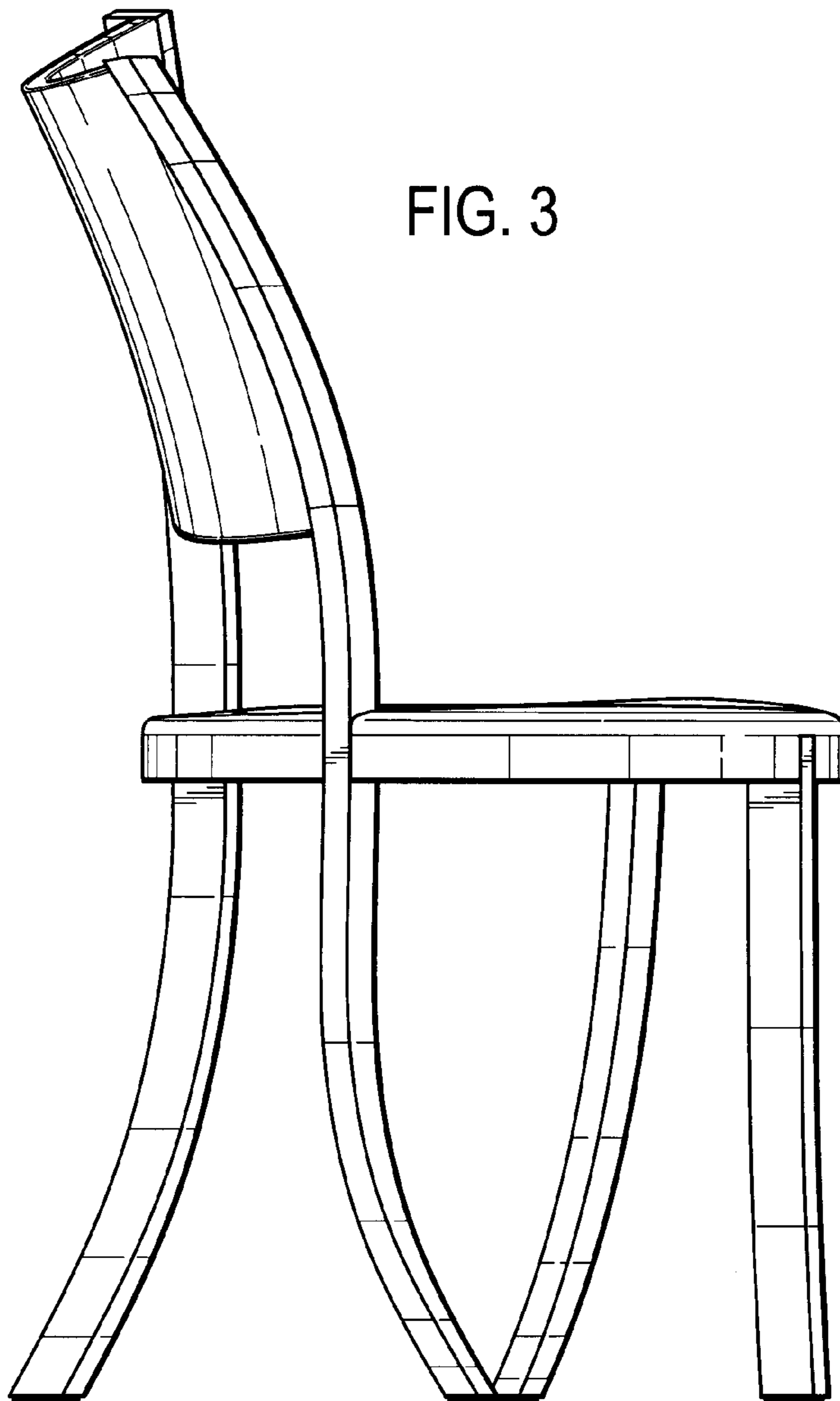


FIG. 3

FIG. 4

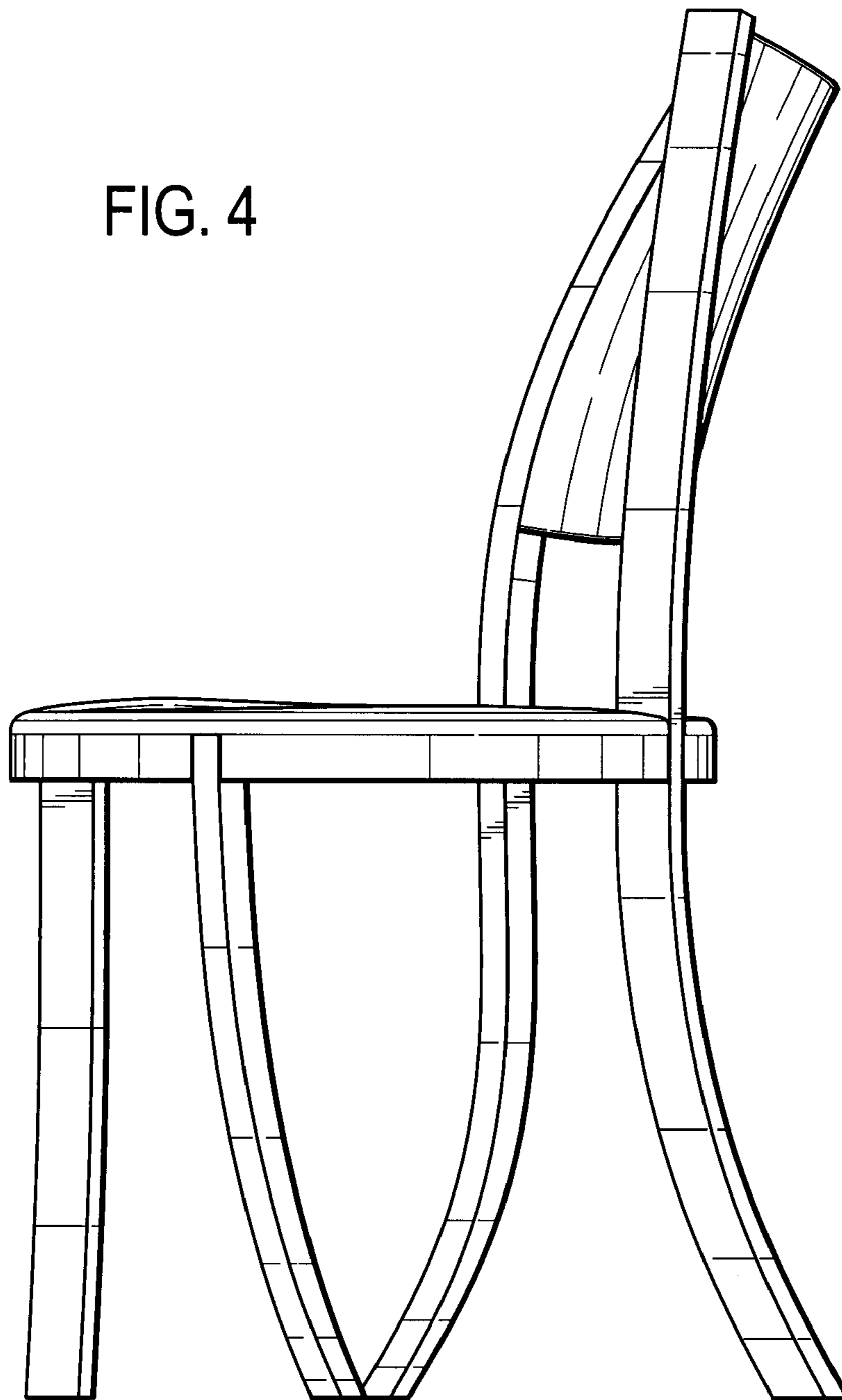


FIG. 5

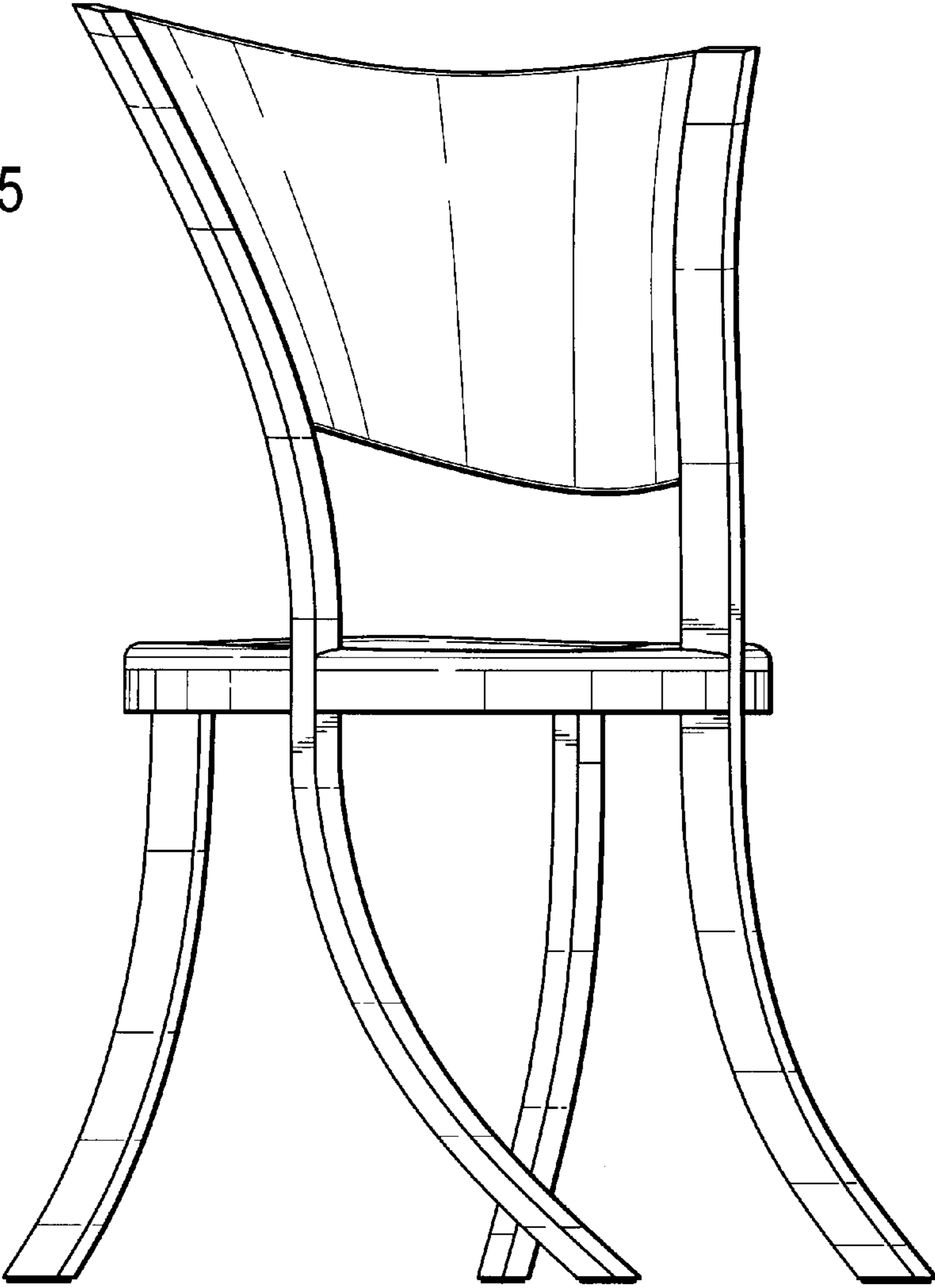


FIG. 6

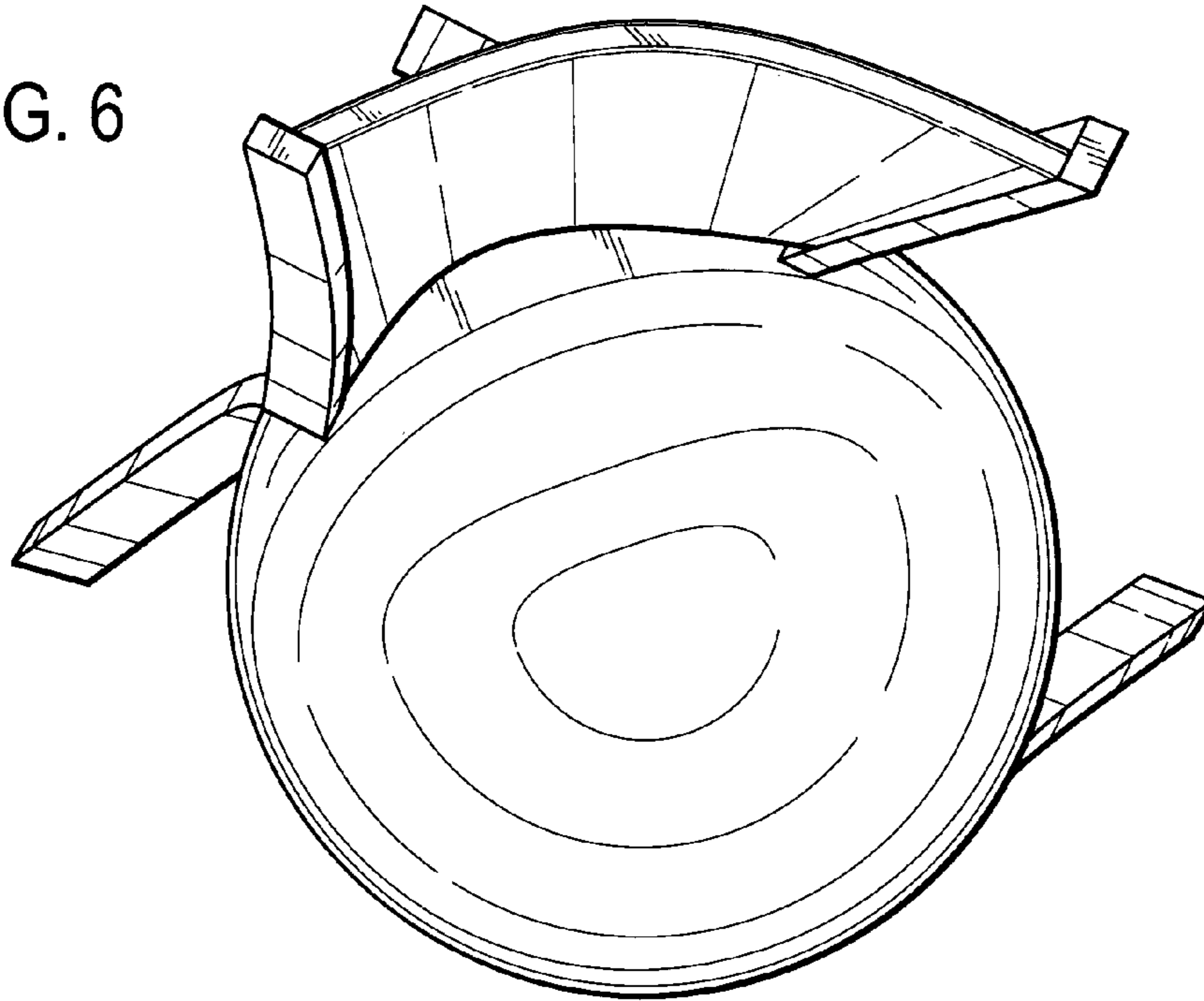


FIG. 7

