



US00D550468S

(12) **United States Design Patent** (10) **Patent No.:** **US D550,468 S**
Ng (45) **Date of Patent:** **** Sep. 11, 2007**

(54) **RECLINING MASSAGE CHAIR WITH HOOD** D537,645 S * 3/2007 Murata et al. D6/367

(75) Inventor: **Elwyn Kwang Ling Ng**, Singapore (SG)

* cited by examiner

Primary Examiner—Mimosa De

(73) Assignee: **OSIM International Ltd.**, Singapore (SG)

(74) *Attorney, Agent, or Firm*—Baker & McKenzie LLP

(**) Term: **14 Years**

(57) **CLAIM**

(21) Appl. No.: **29/275,872**

The ornamental design for a reclining massage chair with hood, as shown and described.

(22) Filed: **Jan. 9, 2007**

DESCRIPTION

(51) **LOC (8) Cl.** **06-01**

FIG. 1 is a front upright view of the reclining massage chair with hood showing my new design;

(52) **U.S. Cl.** **D6/367**

FIG. 2 is a front recline view thereof;

(58) **Field of Classification Search** D6/334–336, D6/360, 361, 367, 371, 373, 379, 500–502; 297/68, 271.1, 271.2, 271.3, 411.45, 423.19, 297/423.3, 353, 354.1; 601/49, 57–59, 97–99, 601/102, 115, 116, 148, 149

FIG. 3 is a left upright view thereof;

FIG. 4 is a left recline view thereof;

FIG. 5 is a right upright view thereof;

FIG. 6 is a right recline view thereof;

FIG. 7 is a top upright view thereof;

FIG. 8 is a top recline view thereof;

FIG. 9 is a back upright view thereof;

FIG. 10 is a back recline view thereof;

FIG. 11 is a bottom upright view thereof;

FIG. 12 is a bottom recline view thereof;

FIG. 13 is a back perspective upright view thereof; and,

FIG. 14 is a front perspective upright view thereof.

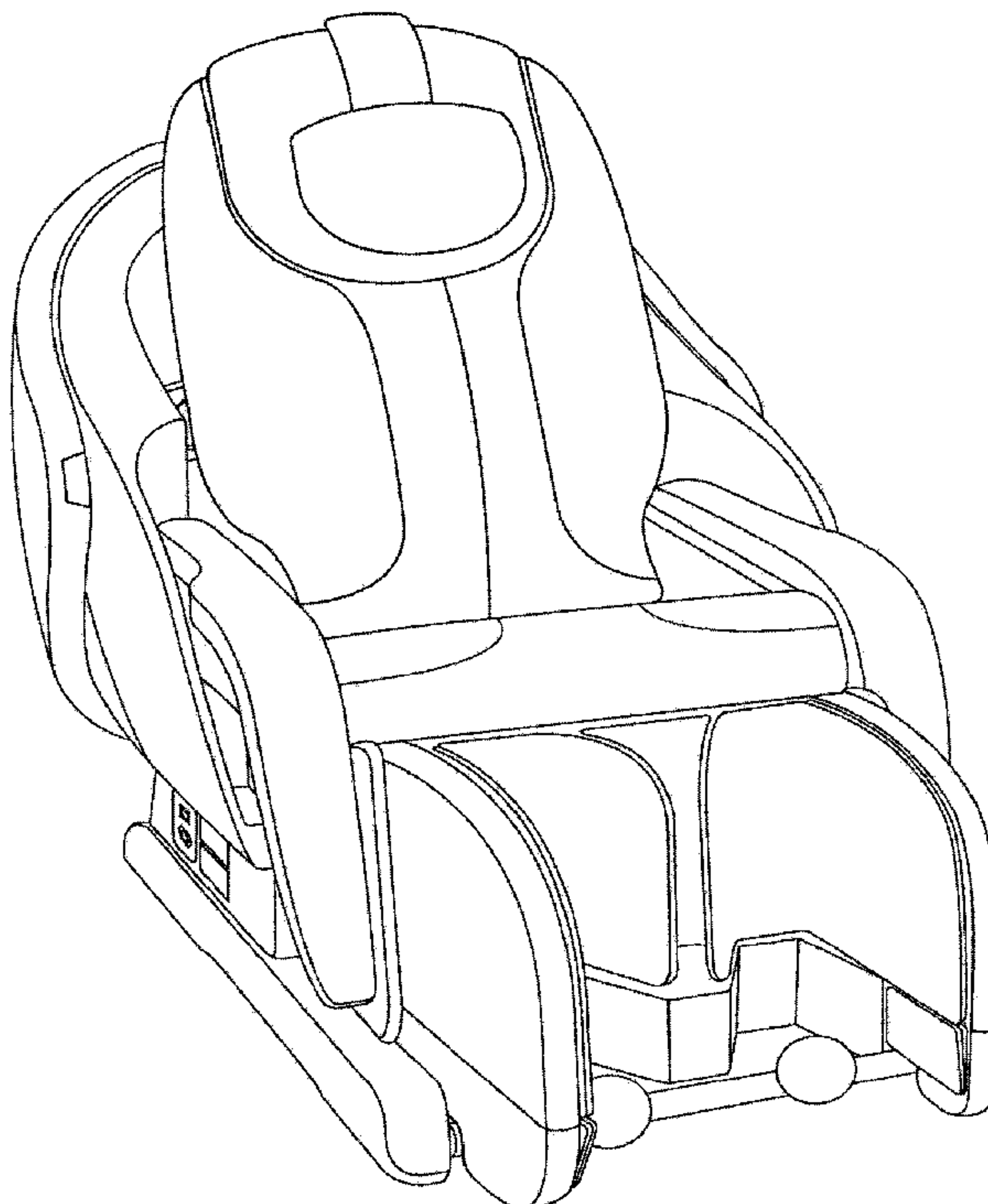
See application file for complete search history.

(56) **References Cited**

U.S. PATENT DOCUMENTS

- D471,372 S * 3/2003 Inada et al. D6/367
- D491,375 S * 6/2004 Yuyama D6/335
- D502,607 S * 3/2005 Miyake et al. D6/335
- D502,817 S * 3/2005 Inada et al. D6/367
- D517,337 S * 3/2006 Mori D6/367
- D517,338 S * 3/2006 Inada et al. D6/367
- D536,189 S * 2/2007 Kita D6/367
- D536,891 S * 2/2007 Miyake et al. D6/367
- D536,896 S * 2/2007 Kawamura D6/367
- D537,644 S * 3/2007 Kawamura D6/367

1 Claim, 14 Drawing Sheets



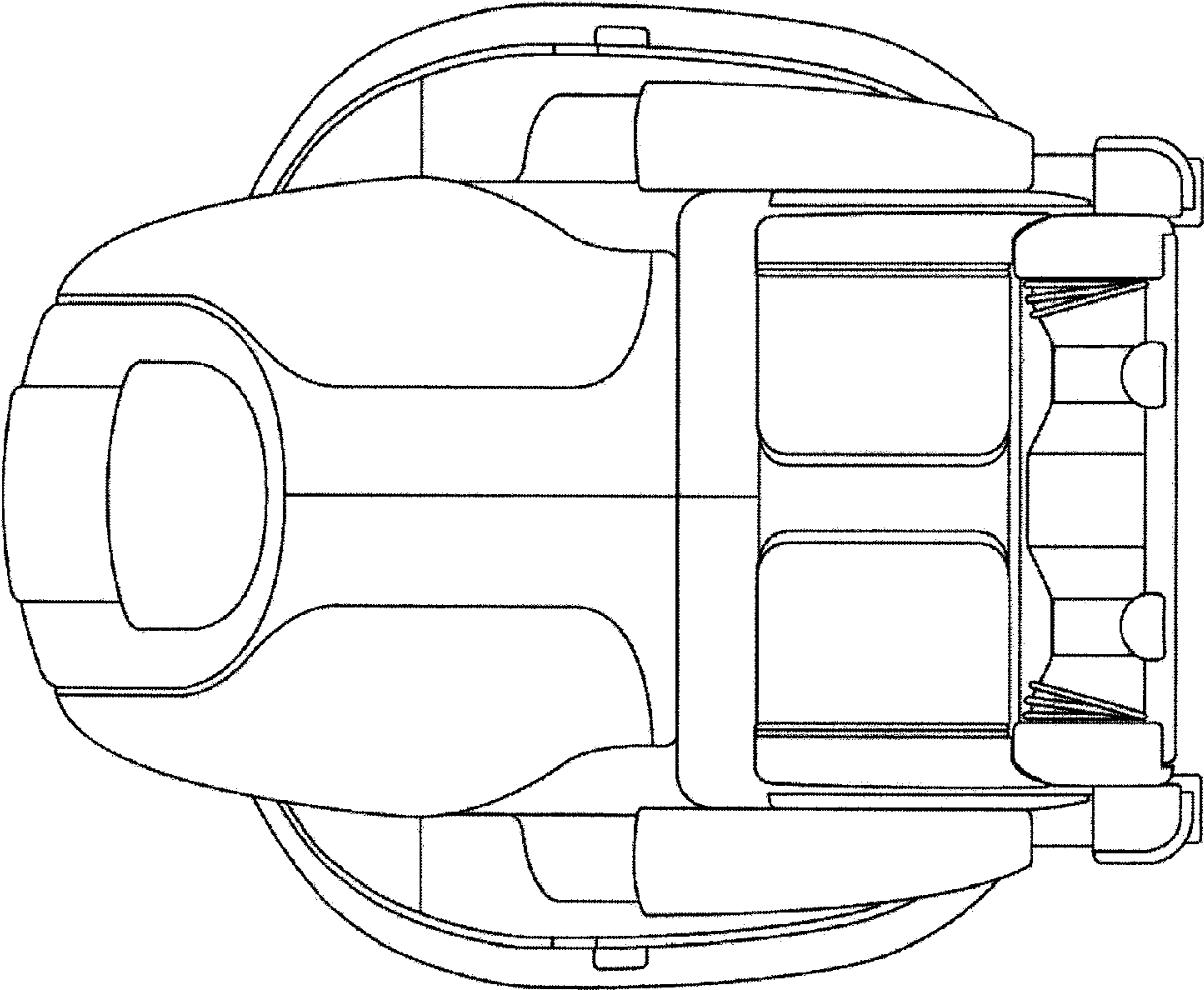


Fig. 1

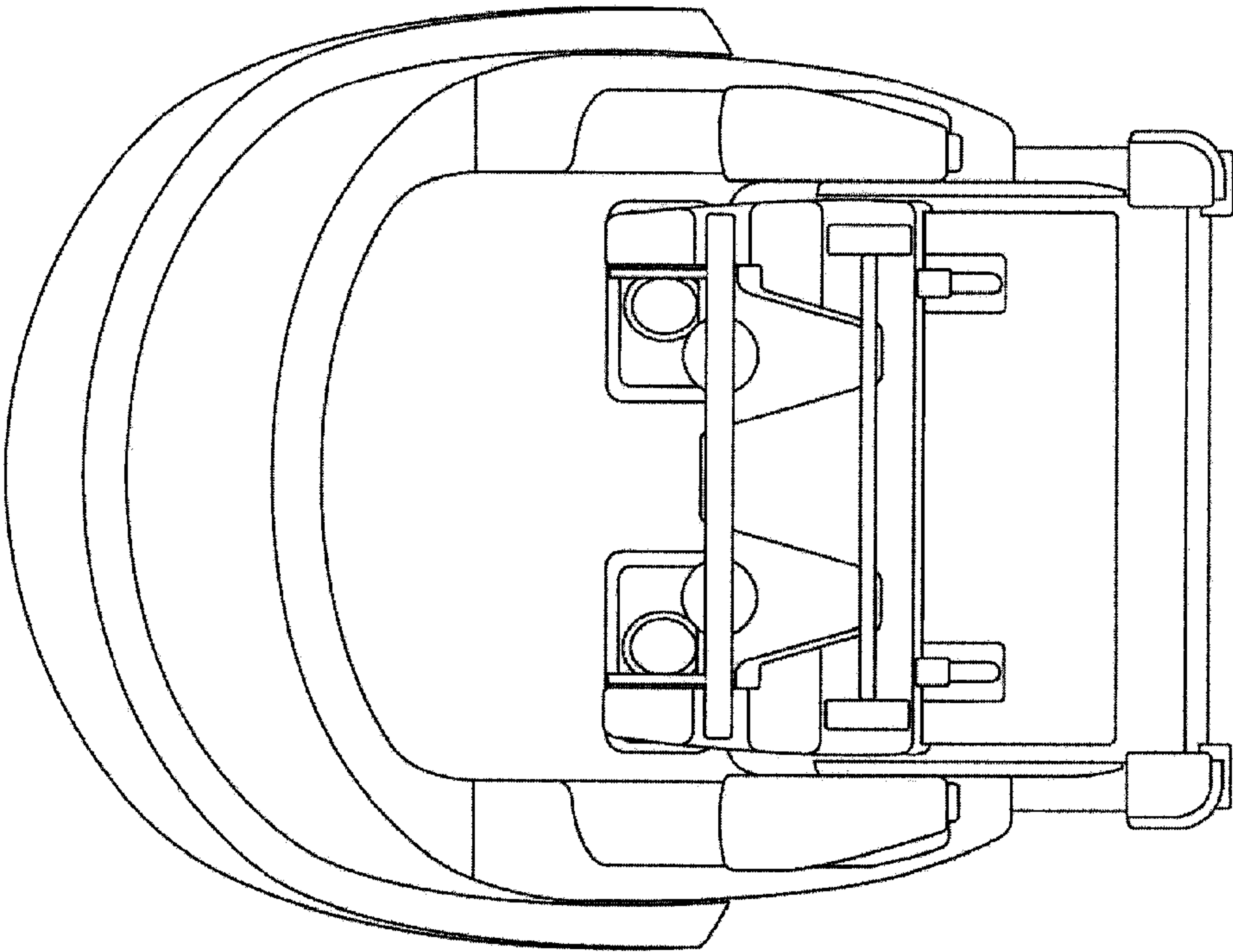


Fig. 2

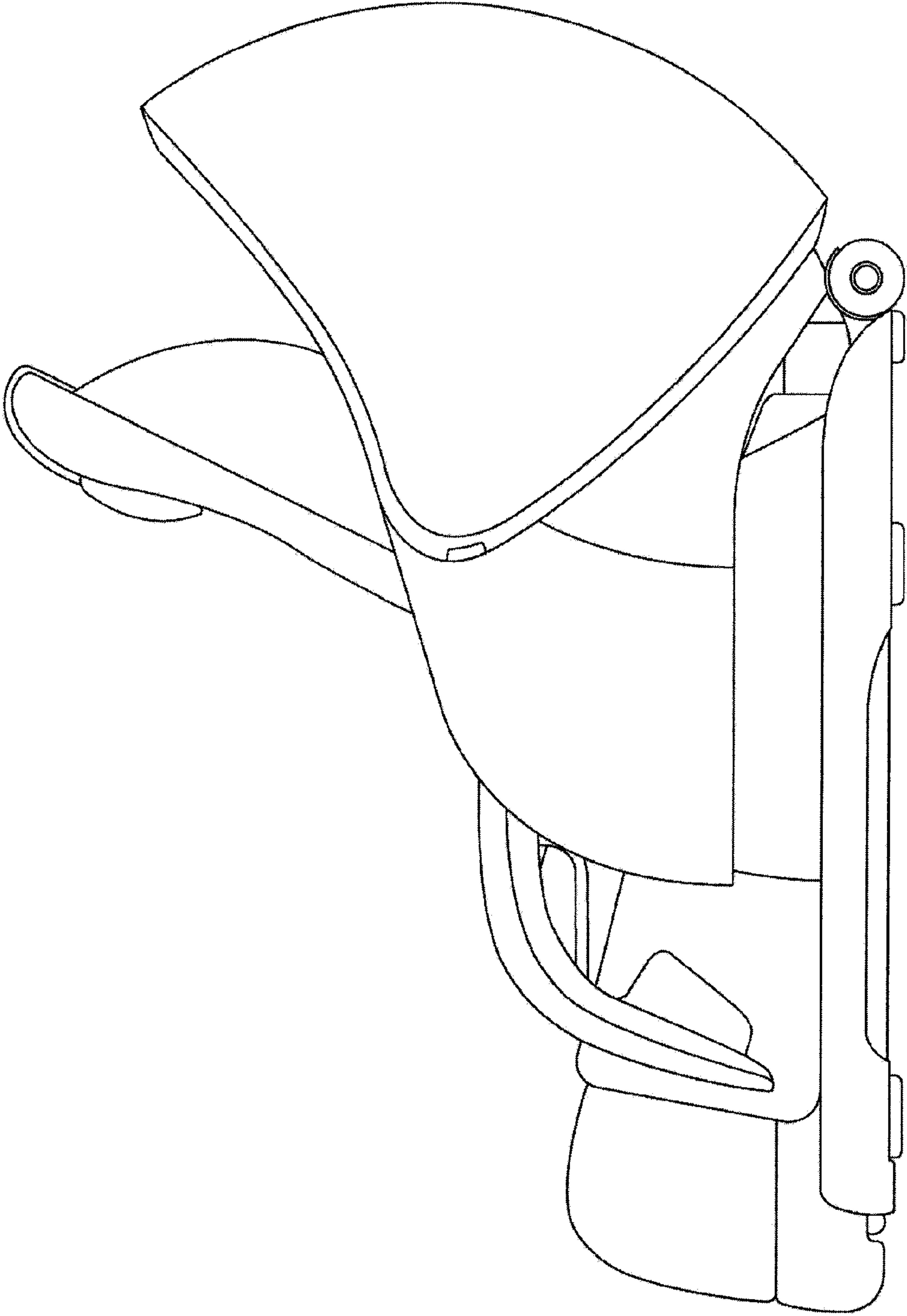


Fig. 3

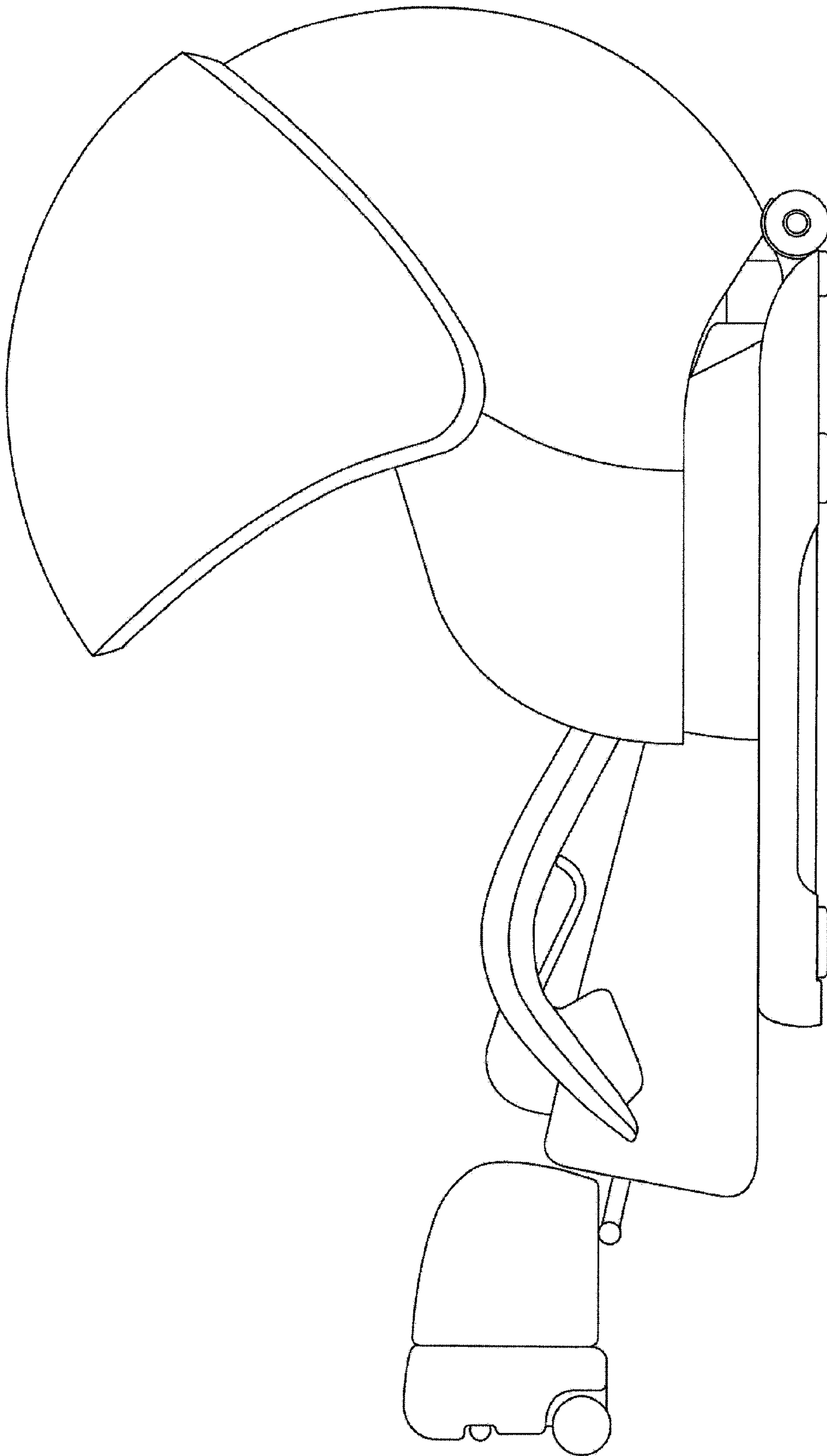


Fig. 4

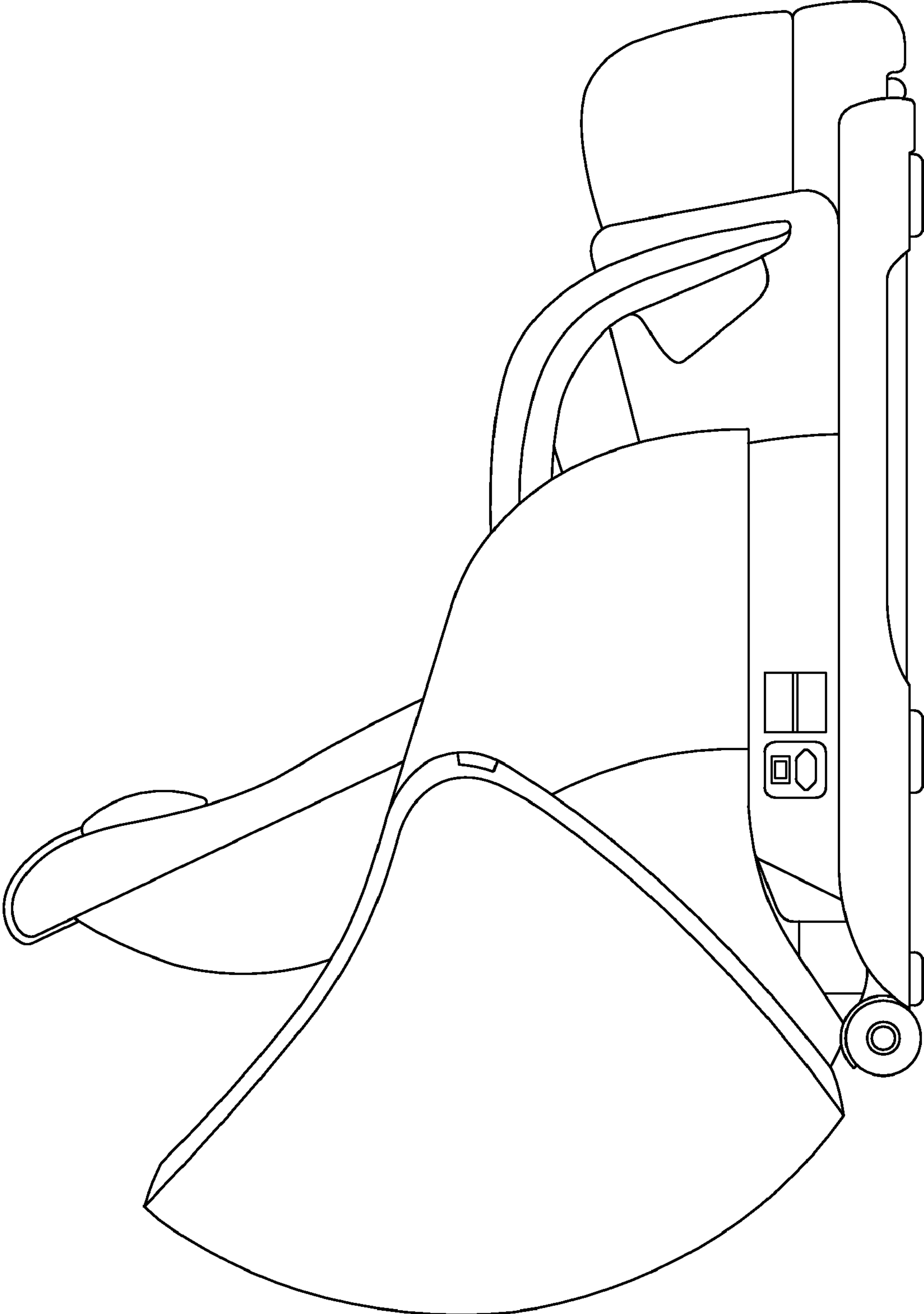


Fig. 5

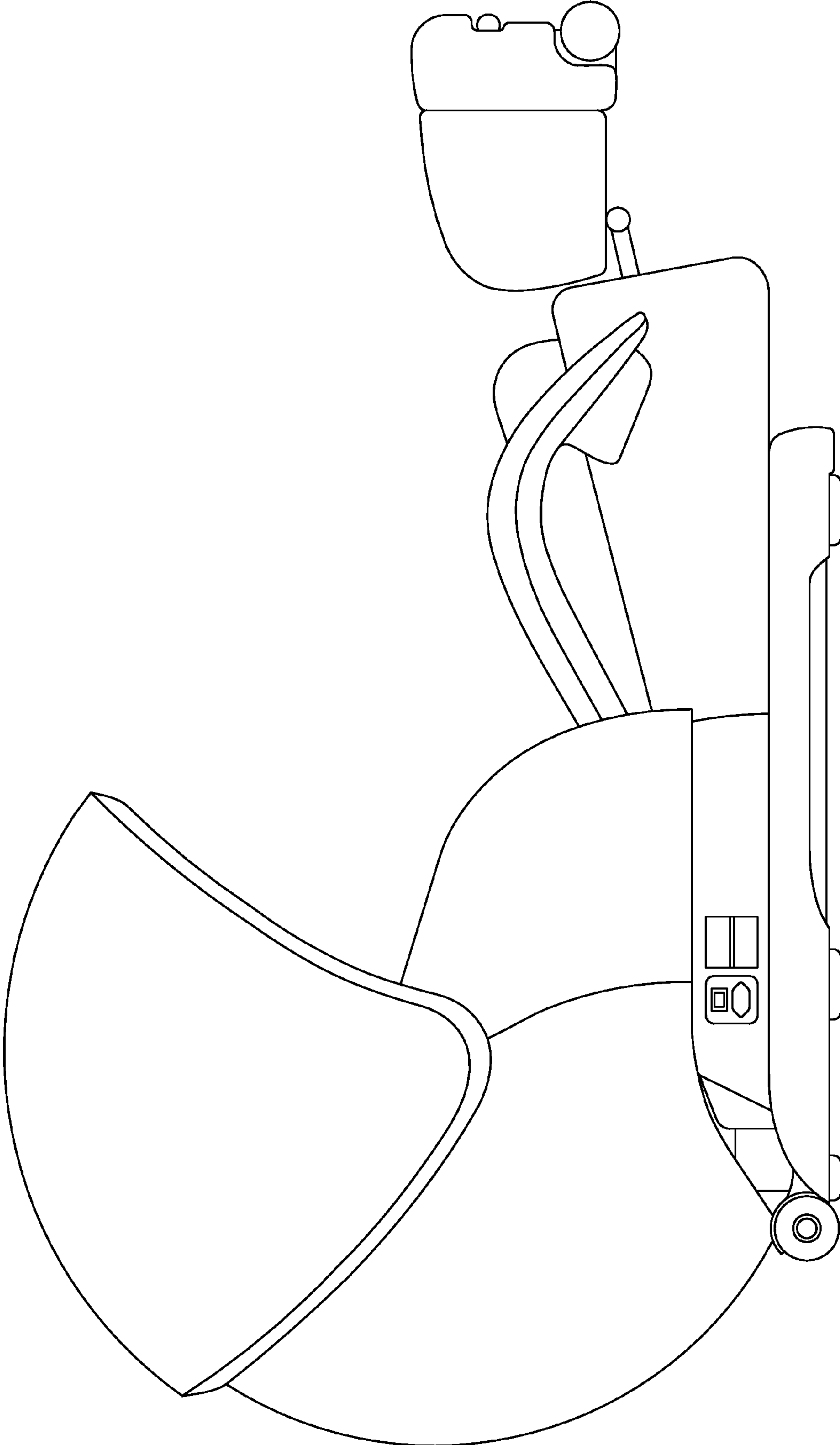


Fig. 6

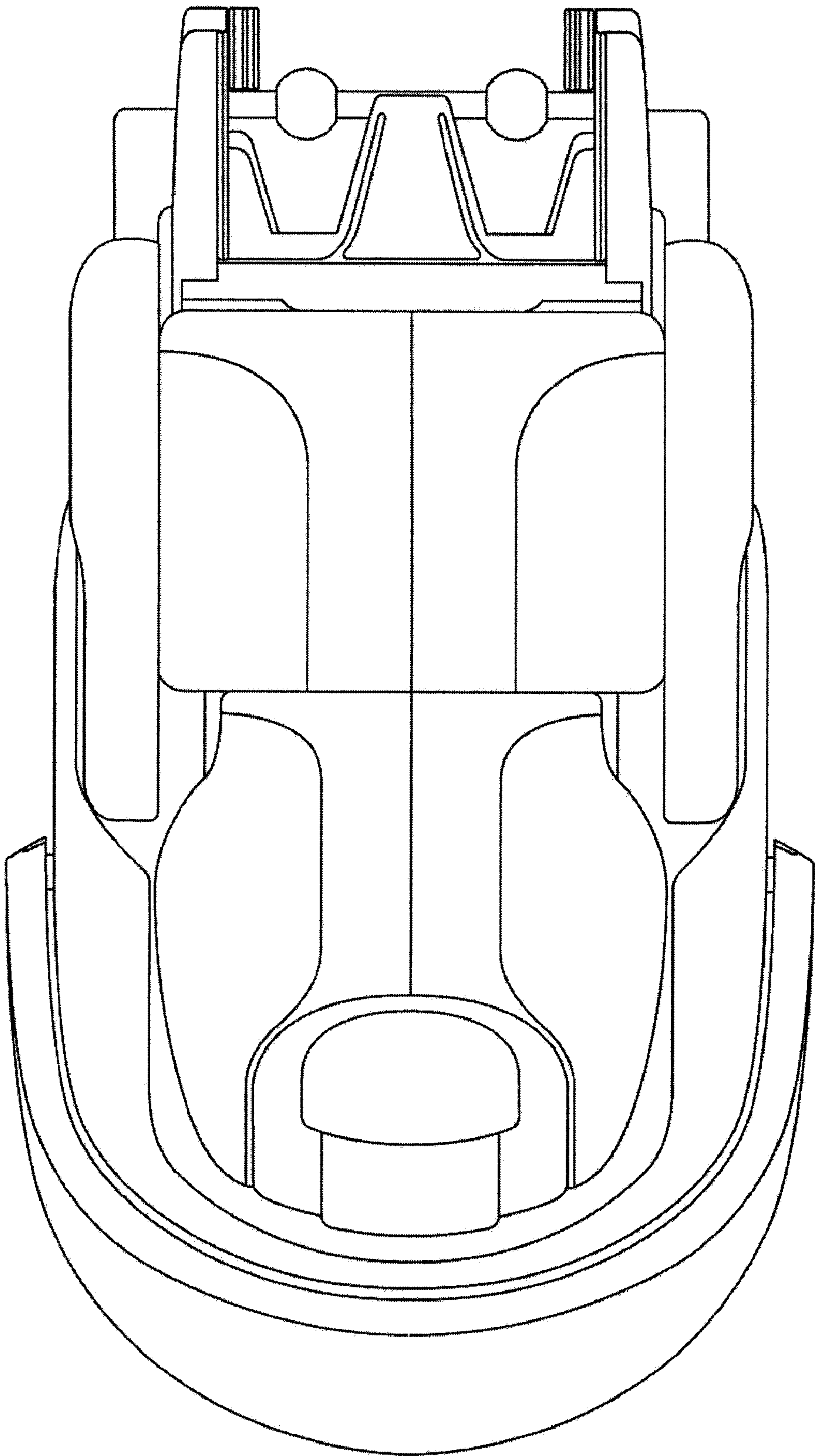


Fig. 7

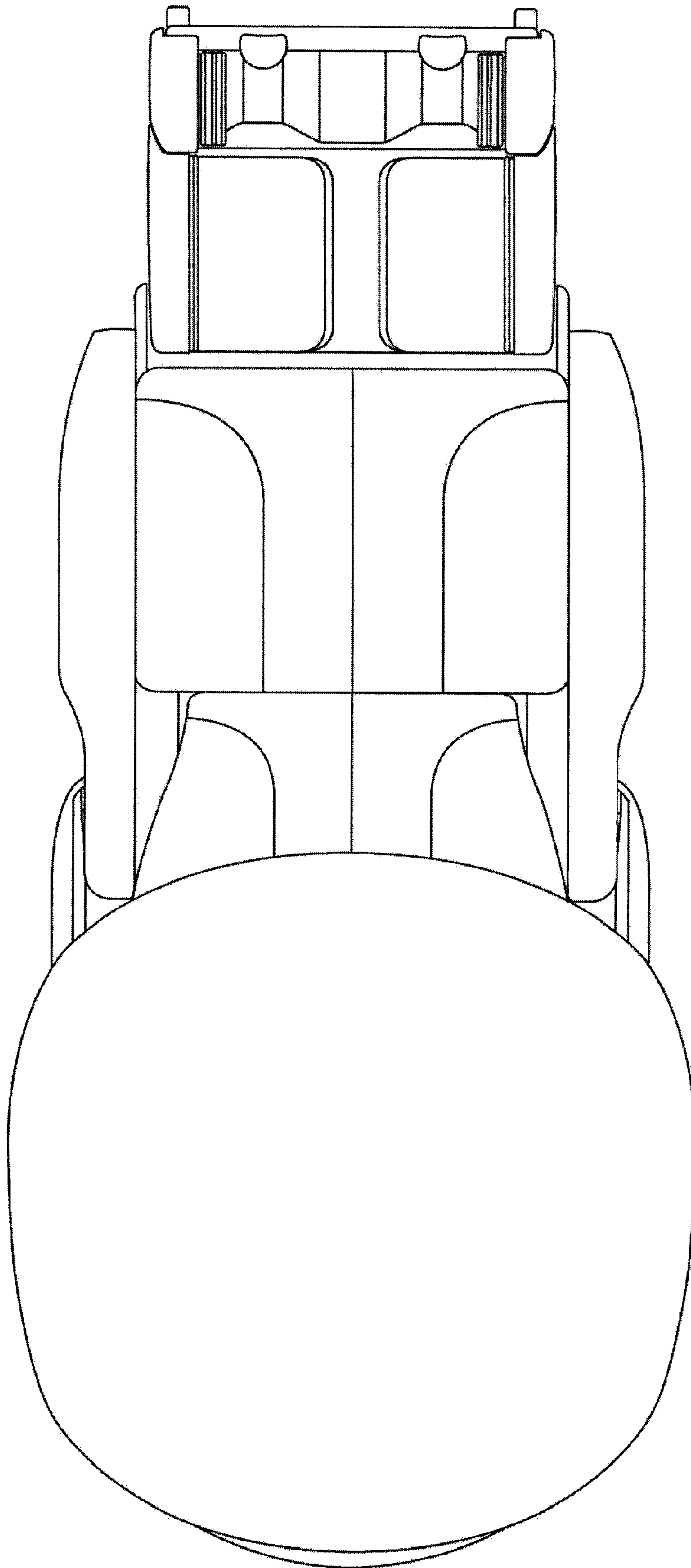


Fig. 8

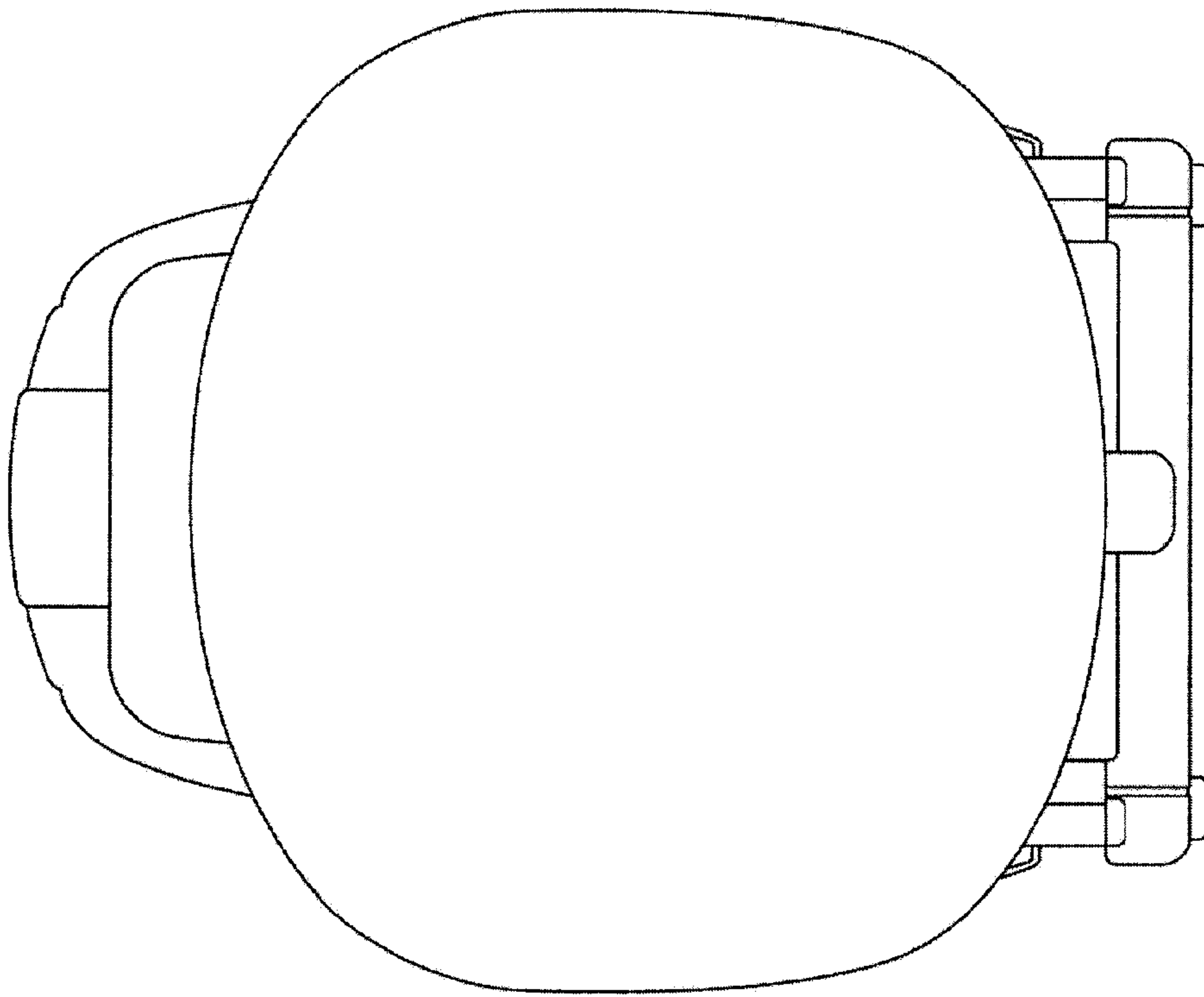


Fig. 9

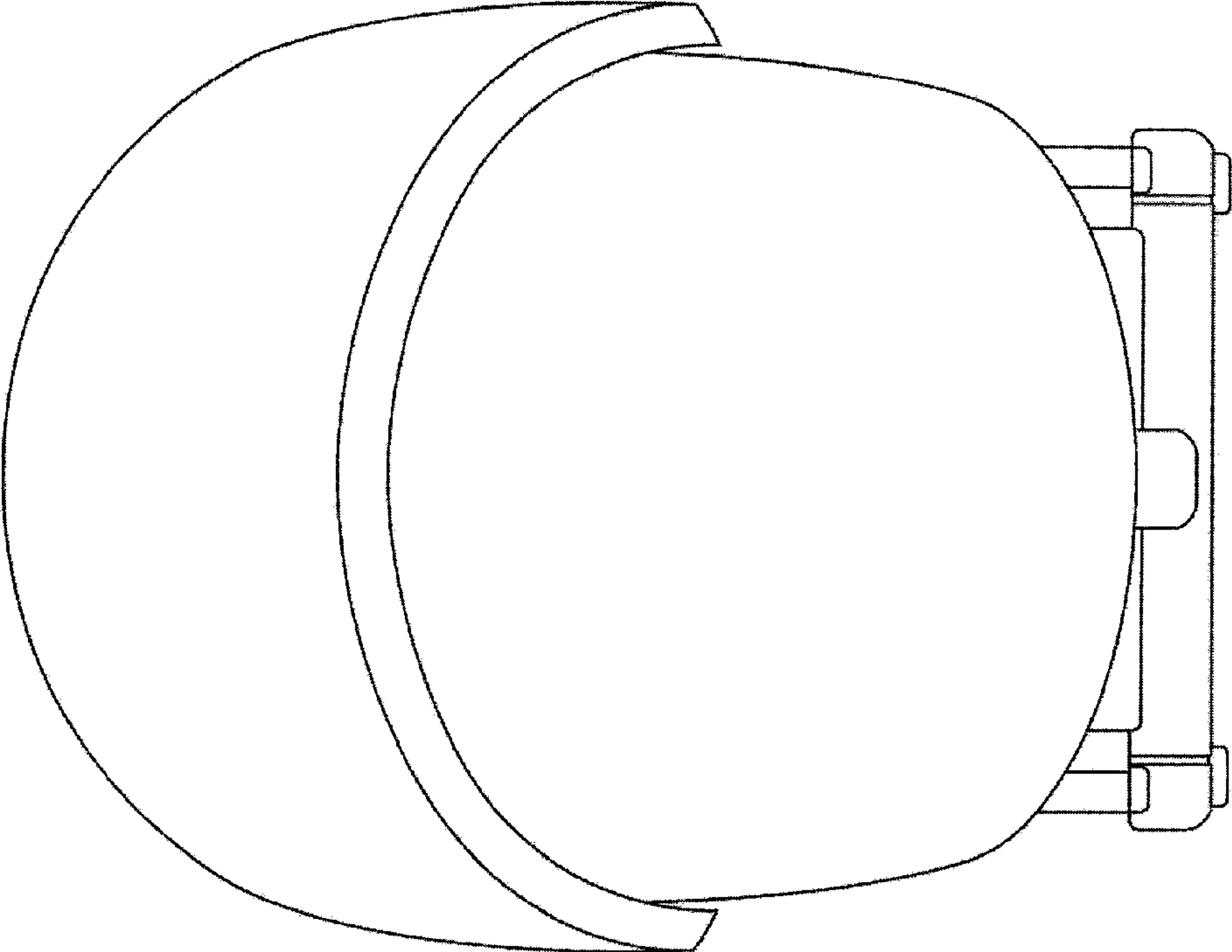


Fig. 10

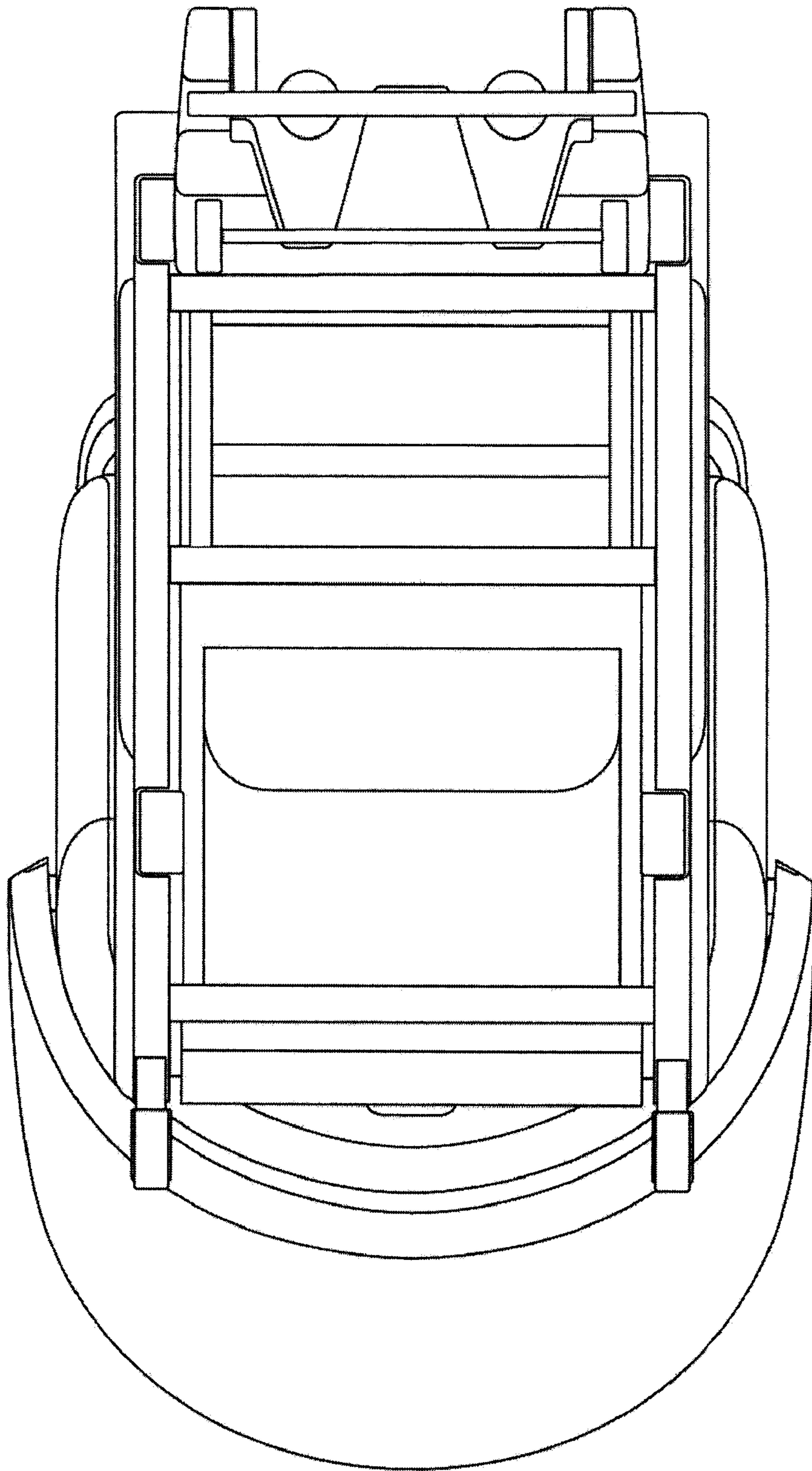


Fig. 11

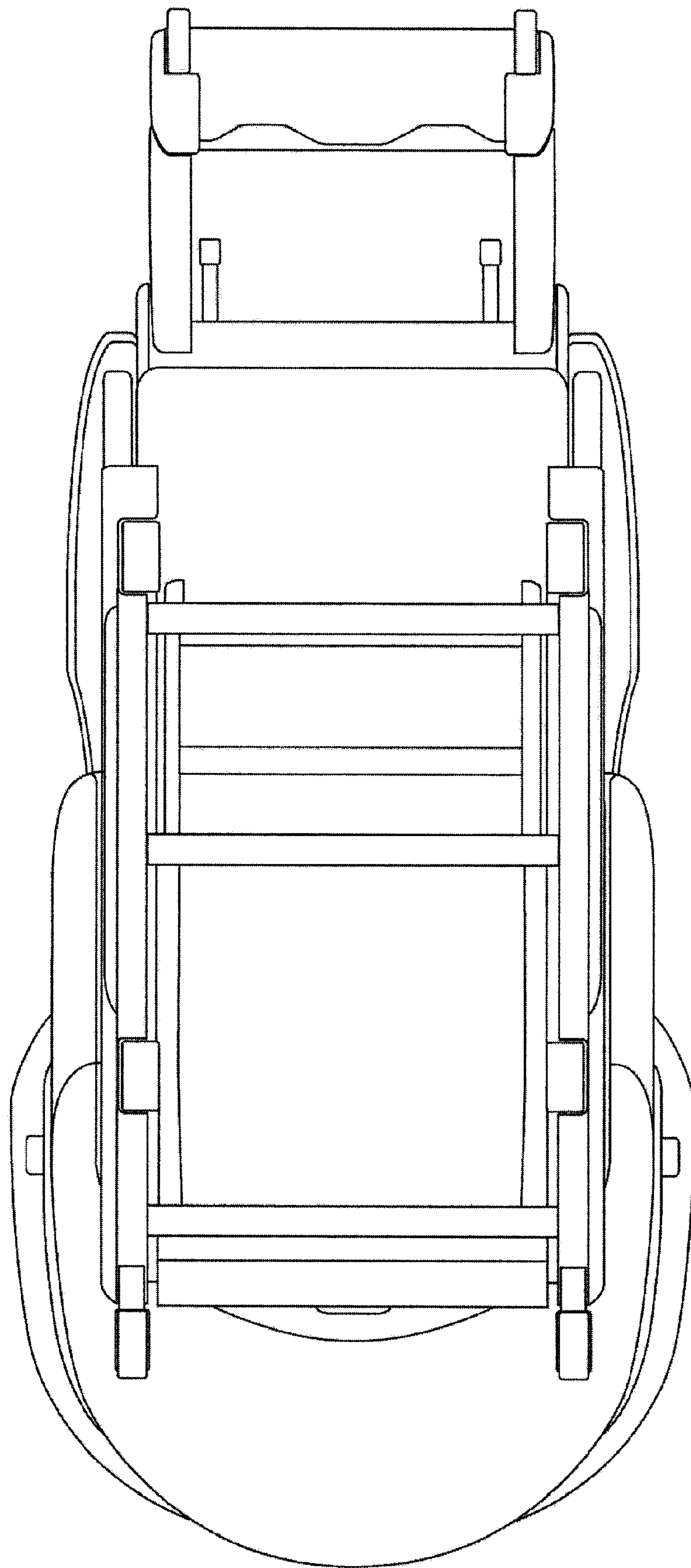


Fig. 12

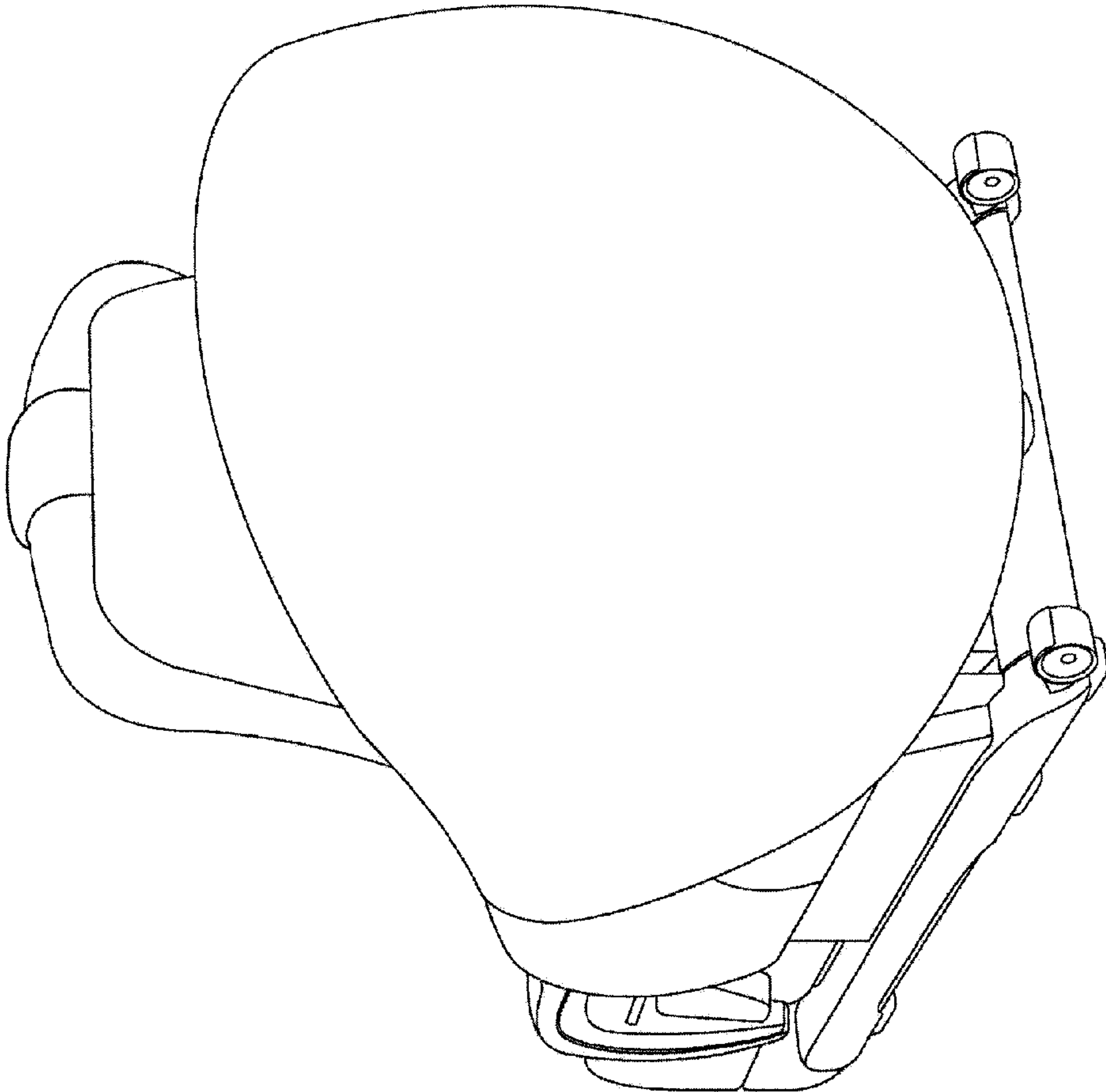


Fig. 13

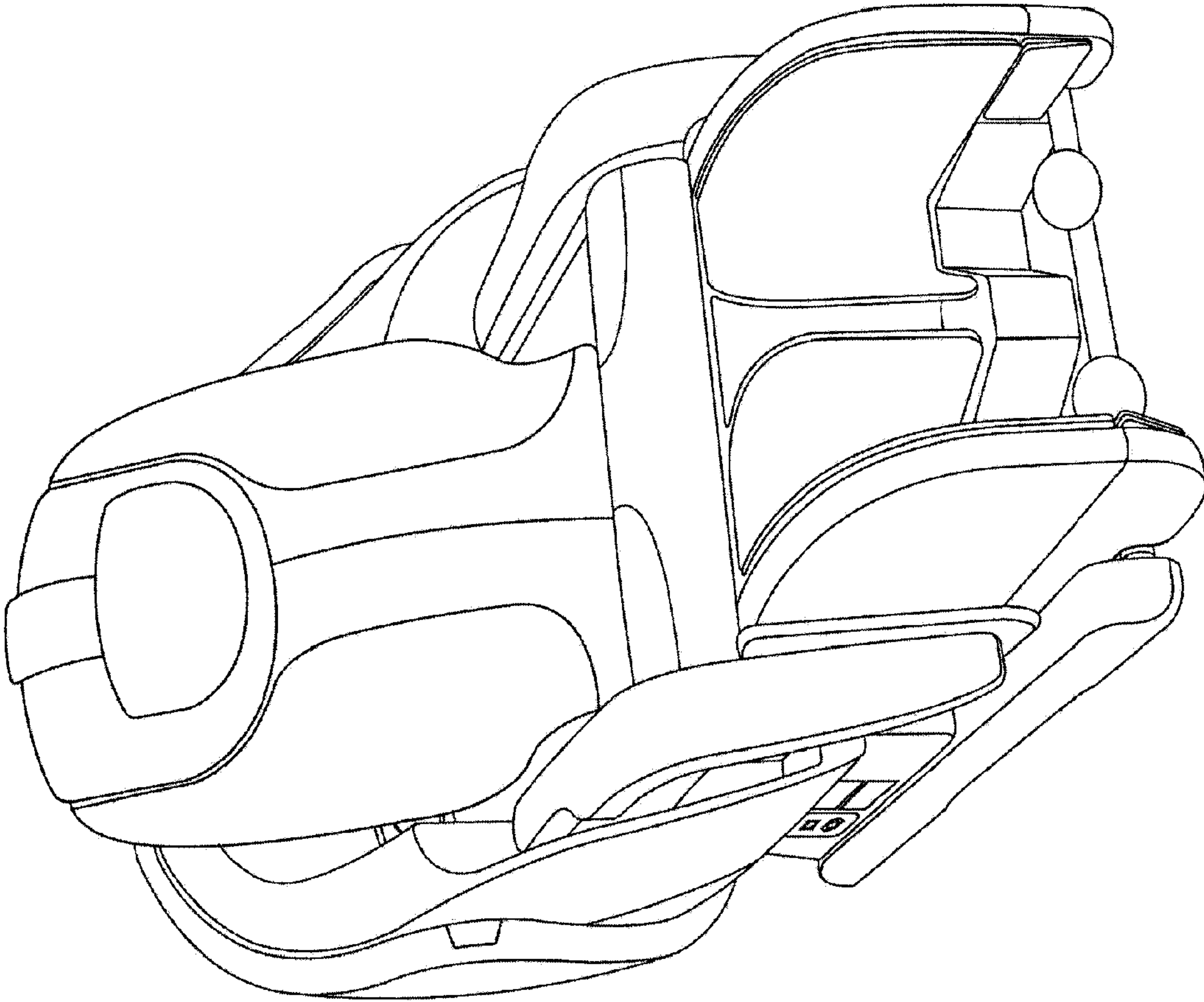


Fig. 14