



US00D550466S

(12) **United States Design Patent**
Molina et al.

(10) **Patent No.:** **US D550,466 S**

(45) **Date of Patent:** **** Sep. 11, 2007**

(54) **CHAIR**

D484,711 S * 1/2004 Getzel D6/366

(75) Inventors: **Lievore Alter Molina**, Barcelona (ES);
Rodolfo Dordoni, Milan (IT); **Claudio Feltrin**, Treviso (IT)

* cited by examiner

Primary Examiner—Robert M. Spear

Assistant Examiner—Katrina A. Kile

(73) Assignee: **Arper S.p.A.**, Monastier di Treviso (IT)

(74) *Attorney, Agent, or Firm*—Scully, Scott, Murphy & Presser, P.C.

(**) Term: **14 Years**

(57) **CLAIM**

(21) Appl. No.: **29/216,745**

The ornamental design for a chair, as shown and described.

(22) Filed: **Nov. 8, 2004**

DESCRIPTION

(30) **Foreign Application Priority Data**

May 14, 2004 (EM) 000183918

FIG. 1 is a perspective view of the chair, showing our new design;

(51) **LOC (8) Cl.** **06-01**

(52) **U.S. Cl.** **D6/366**

FIG. 2 is a front view thereof;

FIG. 3 is a rear view thereof;

(58) **Field of Classification Search** D6/364–367,

D6/379, 498, 500–502; 297/411.2, 411.27,

297/411.28, 411.36, 452.29, 284.4, 452.3

See application file for complete search history.

FIG. 4 is a left side view thereof;

FIG. 5 is a right side view thereof;

FIG. 6 is a top view thereof;

FIG. 7 is a bottom view thereof;

FIG. 8 is a perspective view of a second embodiment of the chair, according to the invention;

FIG. 9 is a front view thereof;

FIG. 10 is a rear view thereof;

FIG. 11 is a left side view thereof;

FIG. 12 is a right side view thereof;

FIG. 13 is a top view thereof; and,

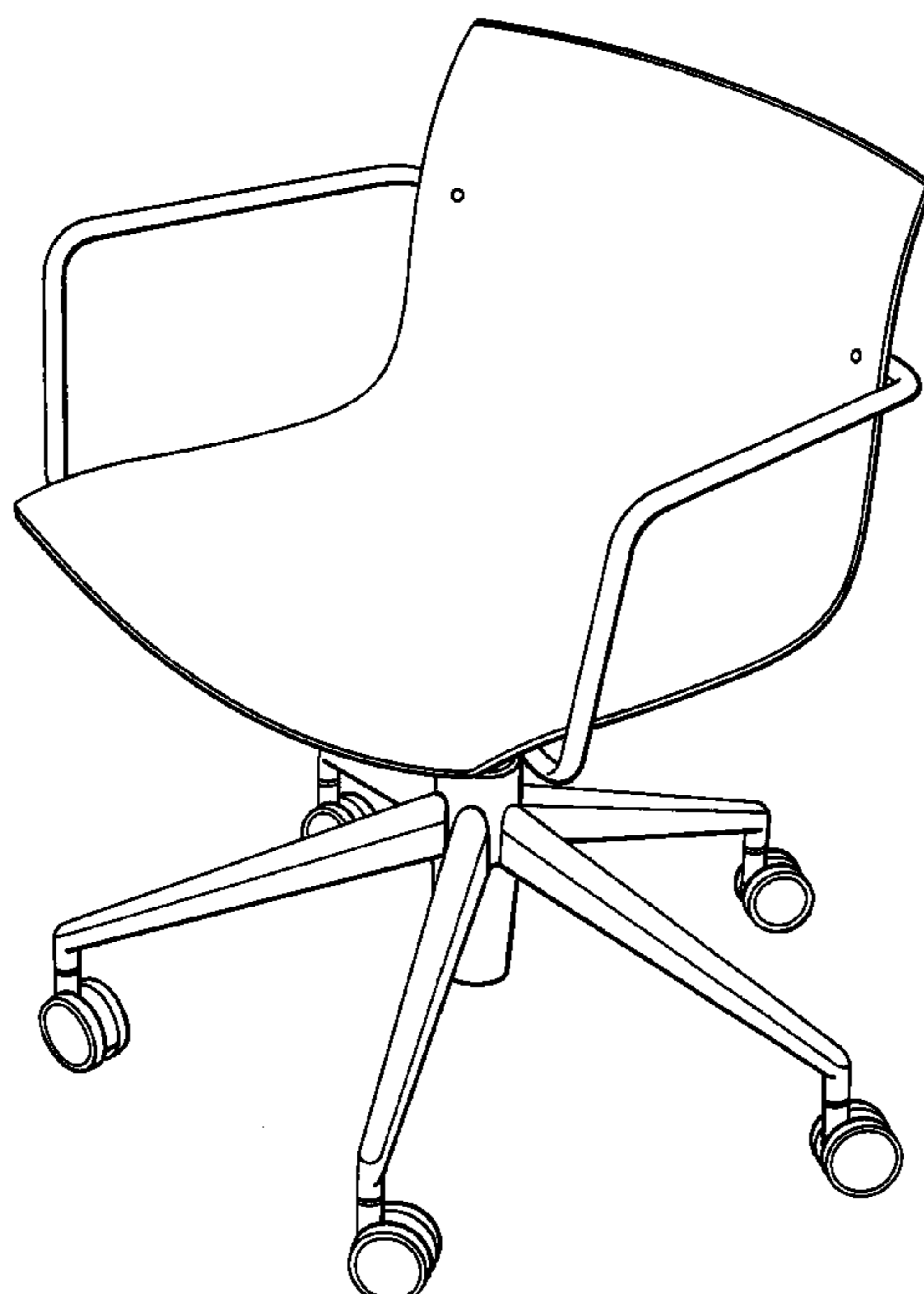
FIG. 14 is a bottom view thereof.

(56) **References Cited**

U.S. PATENT DOCUMENTS

D241,288 S *	9/1976	Tacke	D6/366
D241,691 S *	10/1976	Rodriquez	D6/366
D249,302 S *	9/1978	Ruf	D6/366
D280,682 S *	9/1985	Lange	D6/366
D306,939 S *	4/1990	Fink	D6/366
D347,333 S *	5/1994	Von Klier	D6/366
D354,631 S *	1/1995	Orlandini et al.	D6/366
D355,303 S *	2/1995	Scheper et al.	D6/366
5,988,746 A *	11/1999	Raftery	297/297

1 Claim, 14 Drawing Sheets



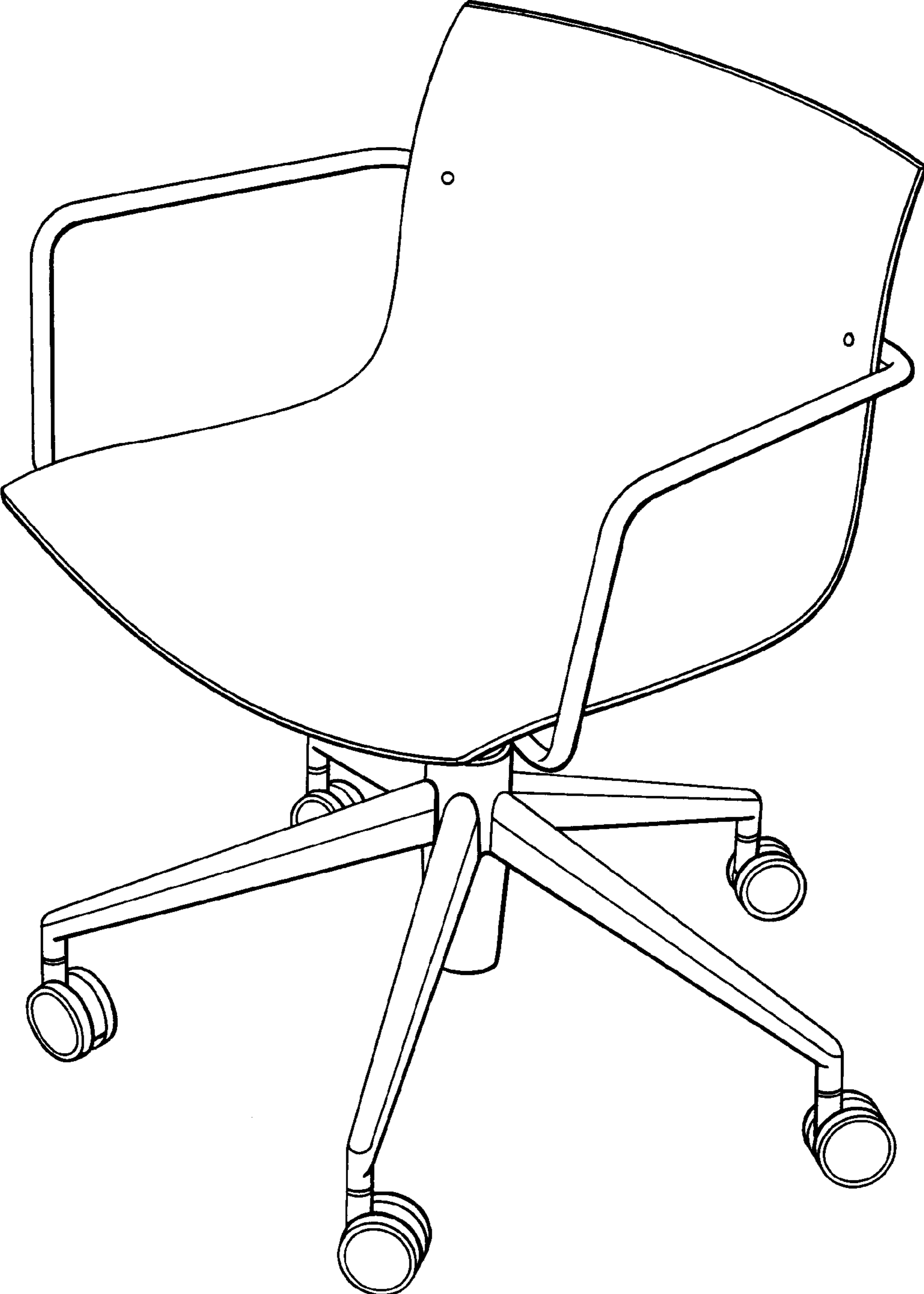


Fig. 1

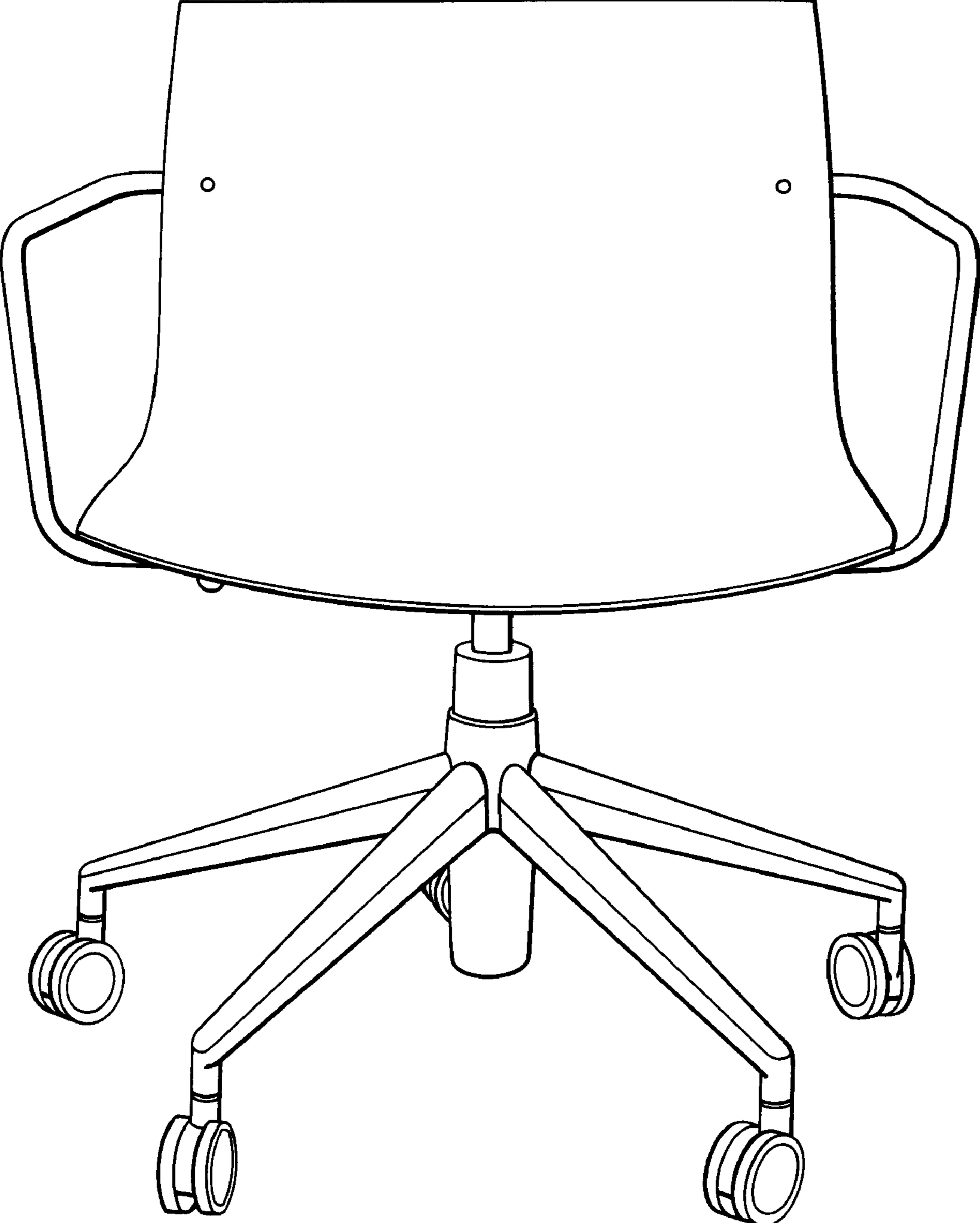


FIG. 2

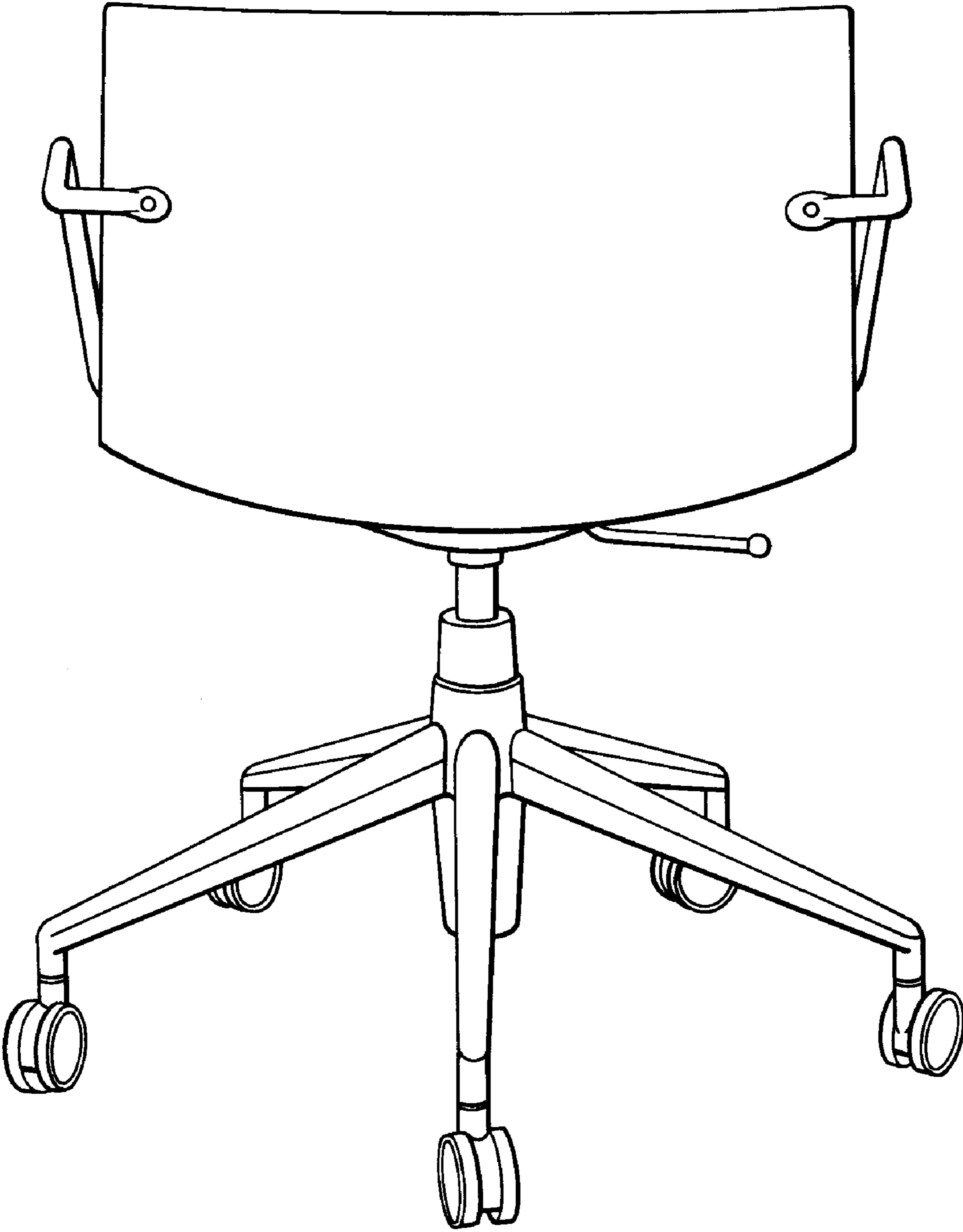


Fig. 3



Fig. 4



Fig. 5

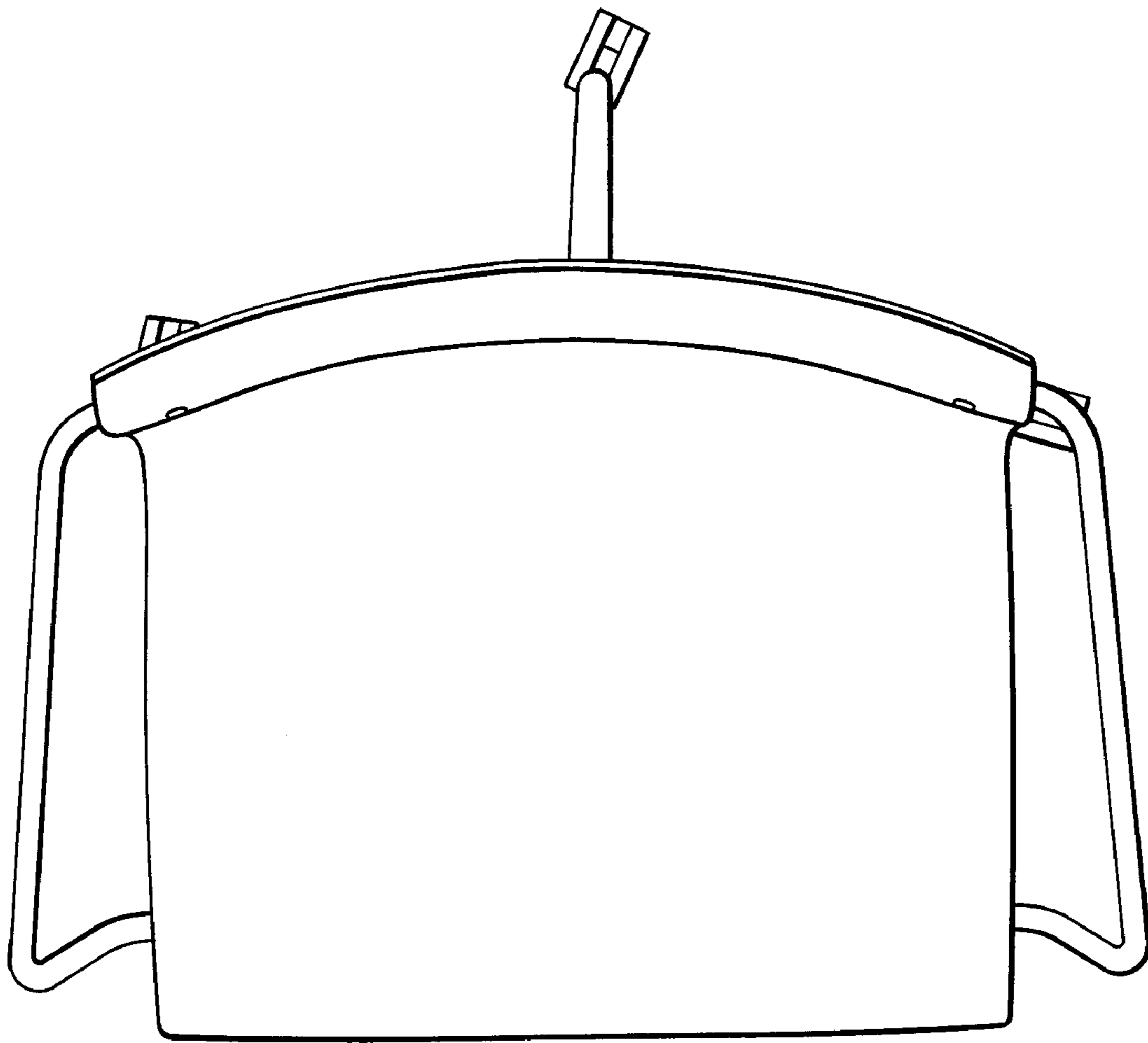


FIG. 6

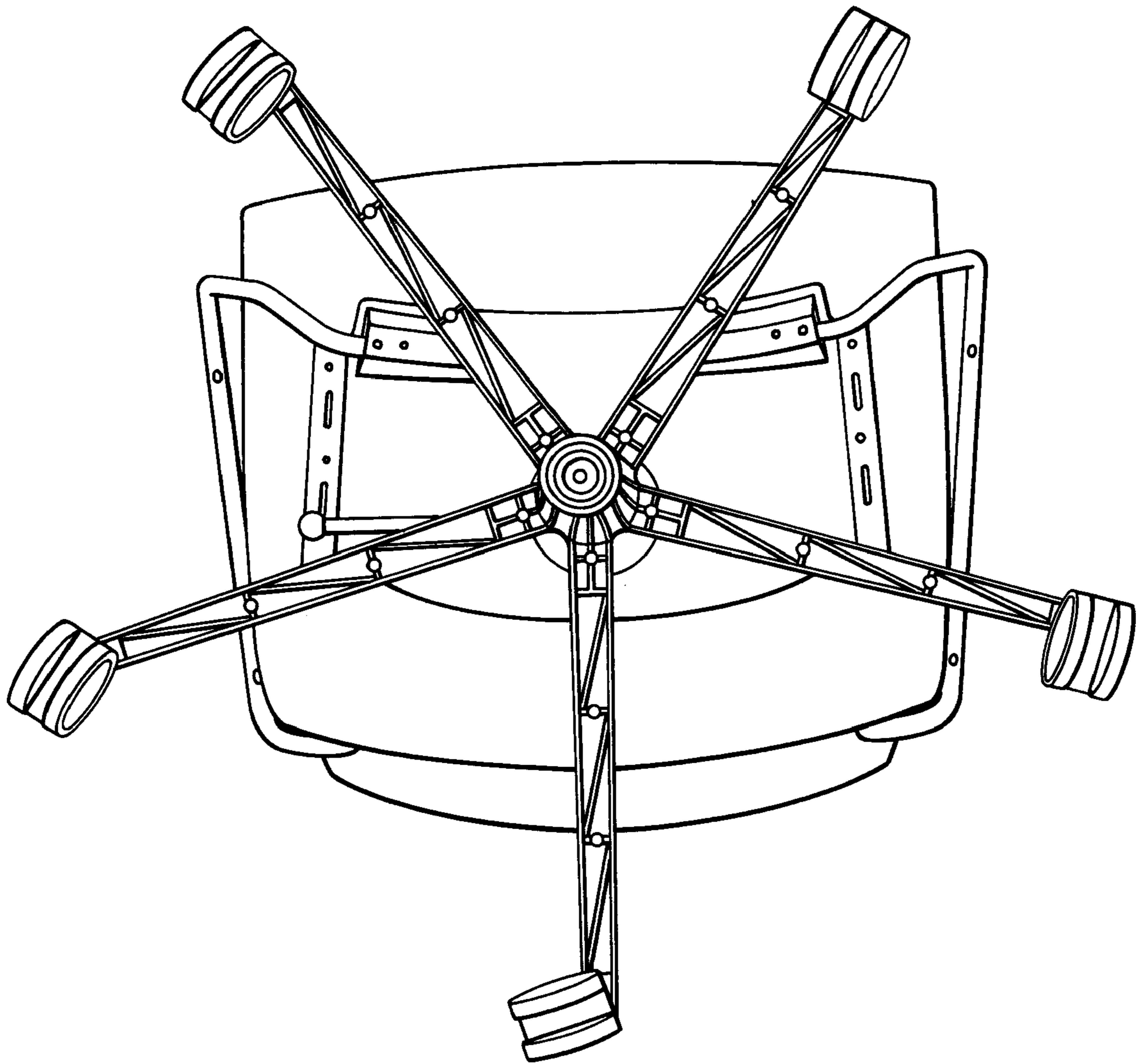


Fig. 7

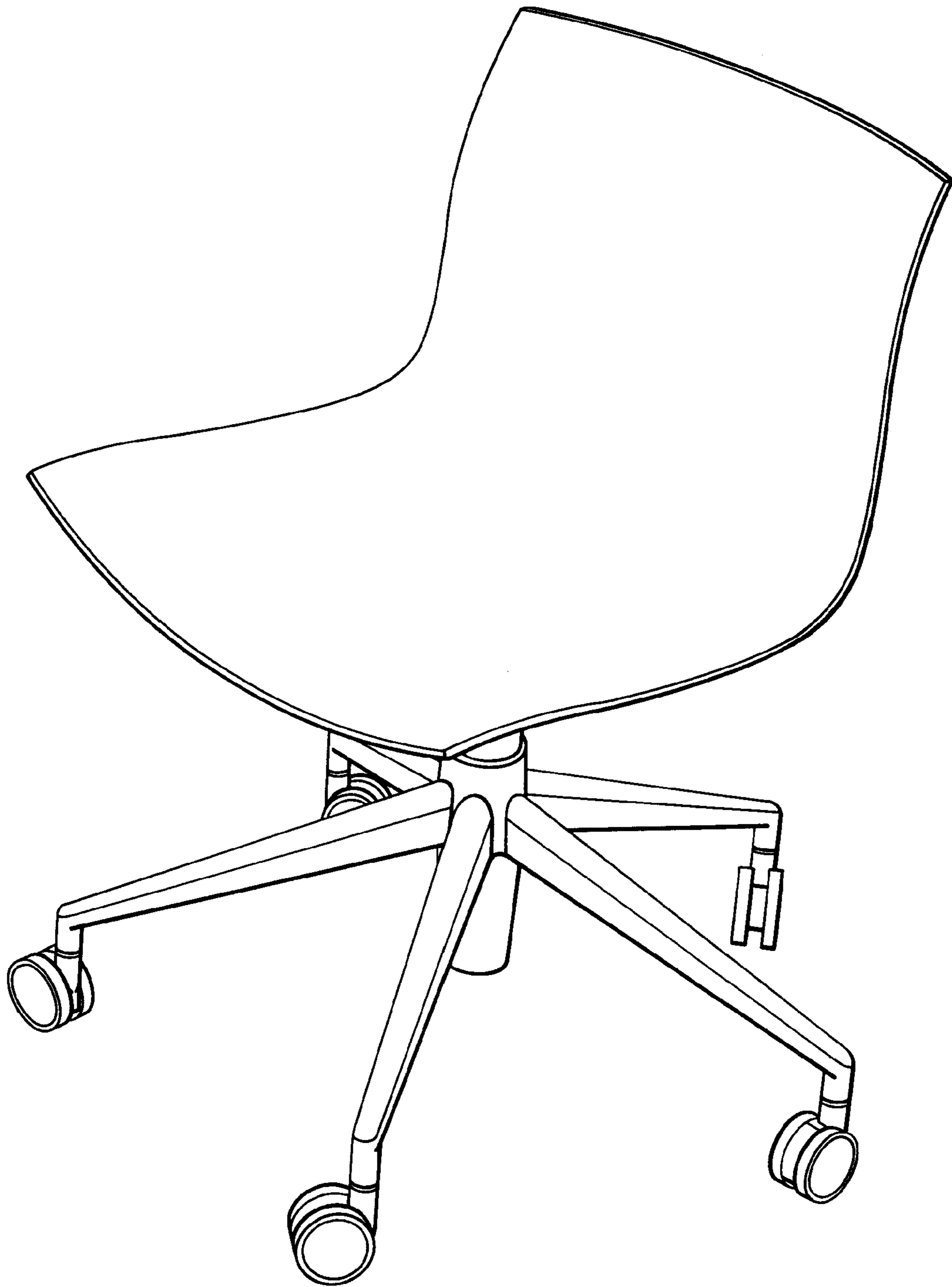


Fig. 8

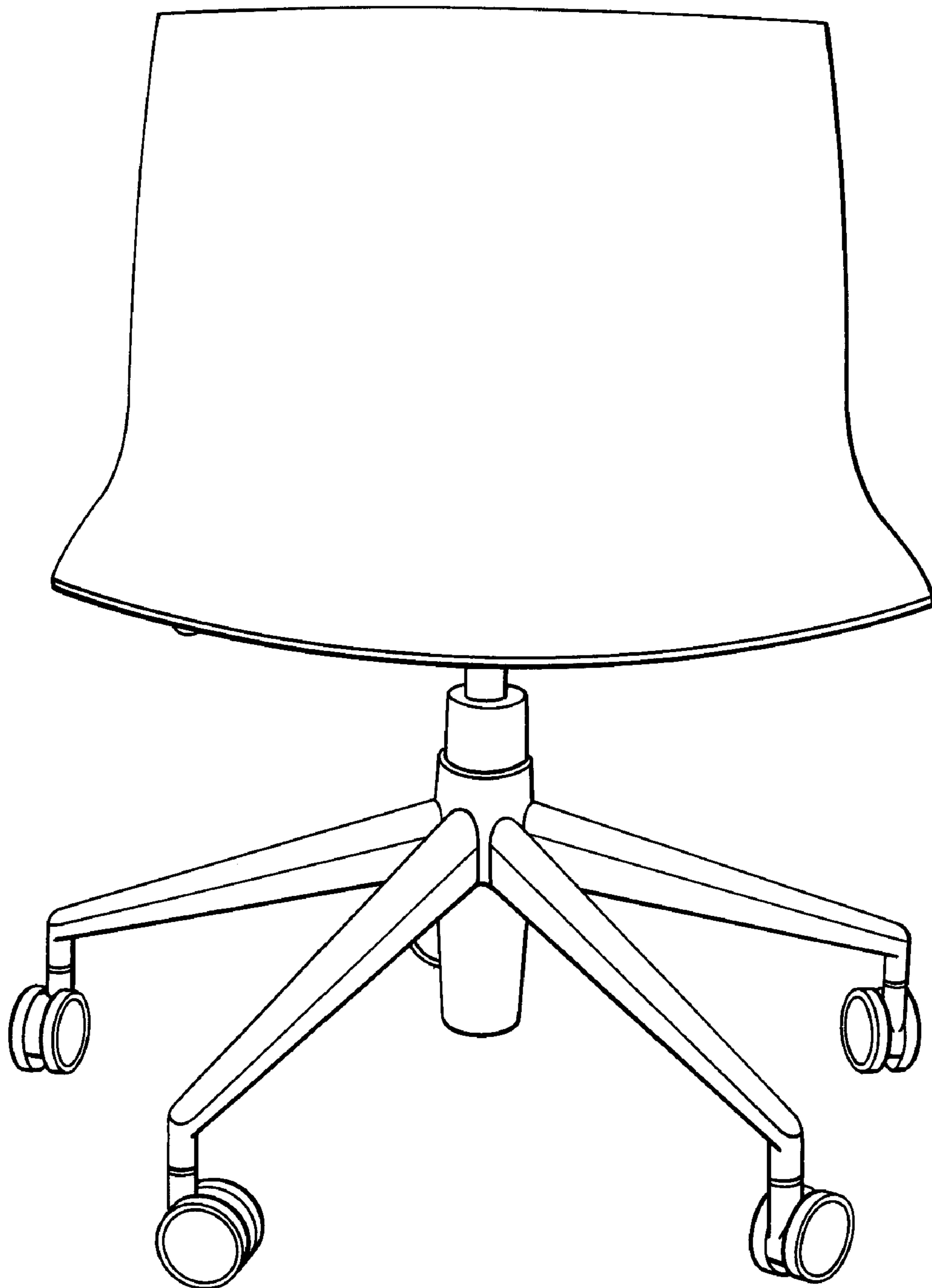


Fig. 9

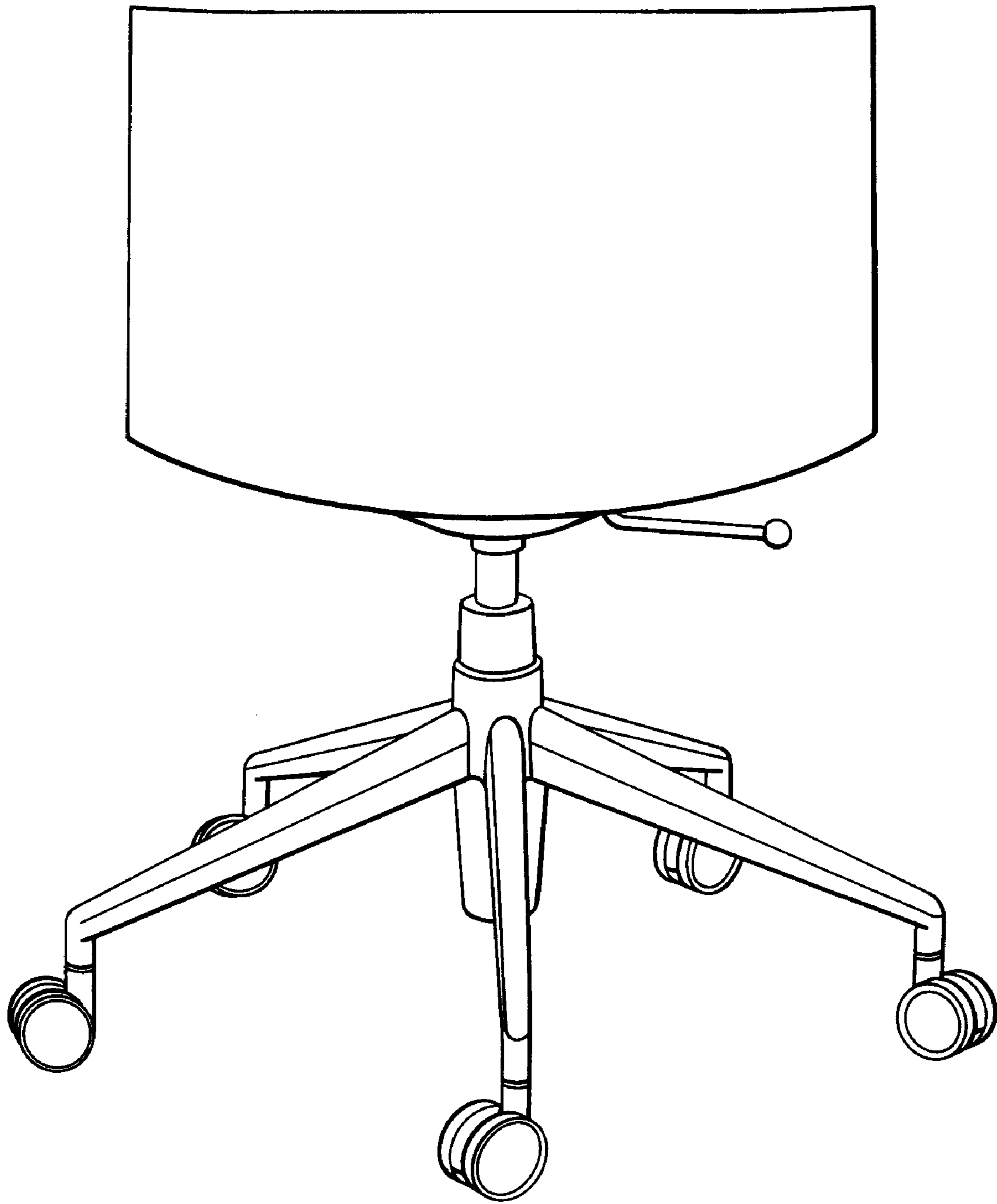


FIG. 10

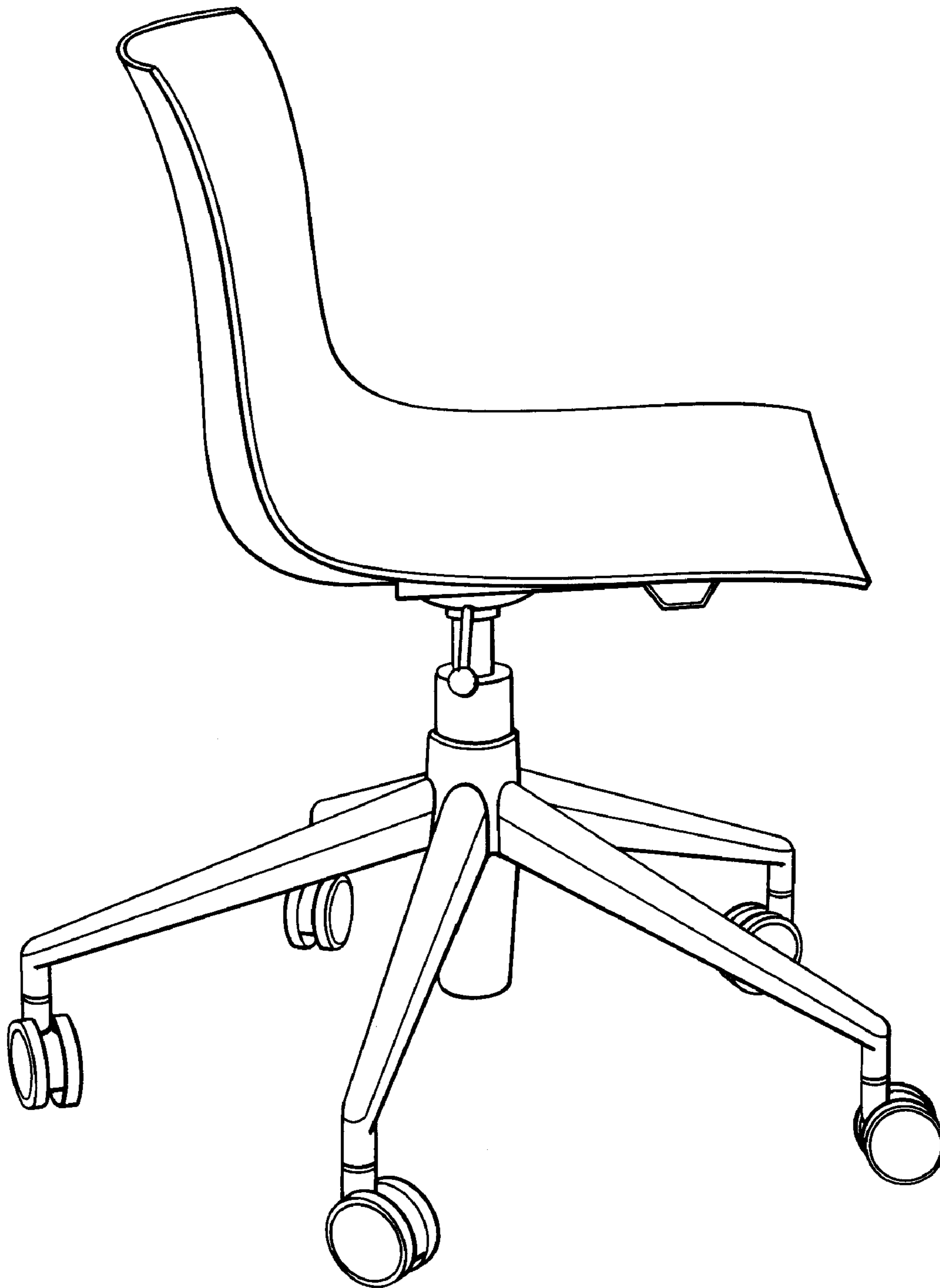


Fig. 11



Fig. 12

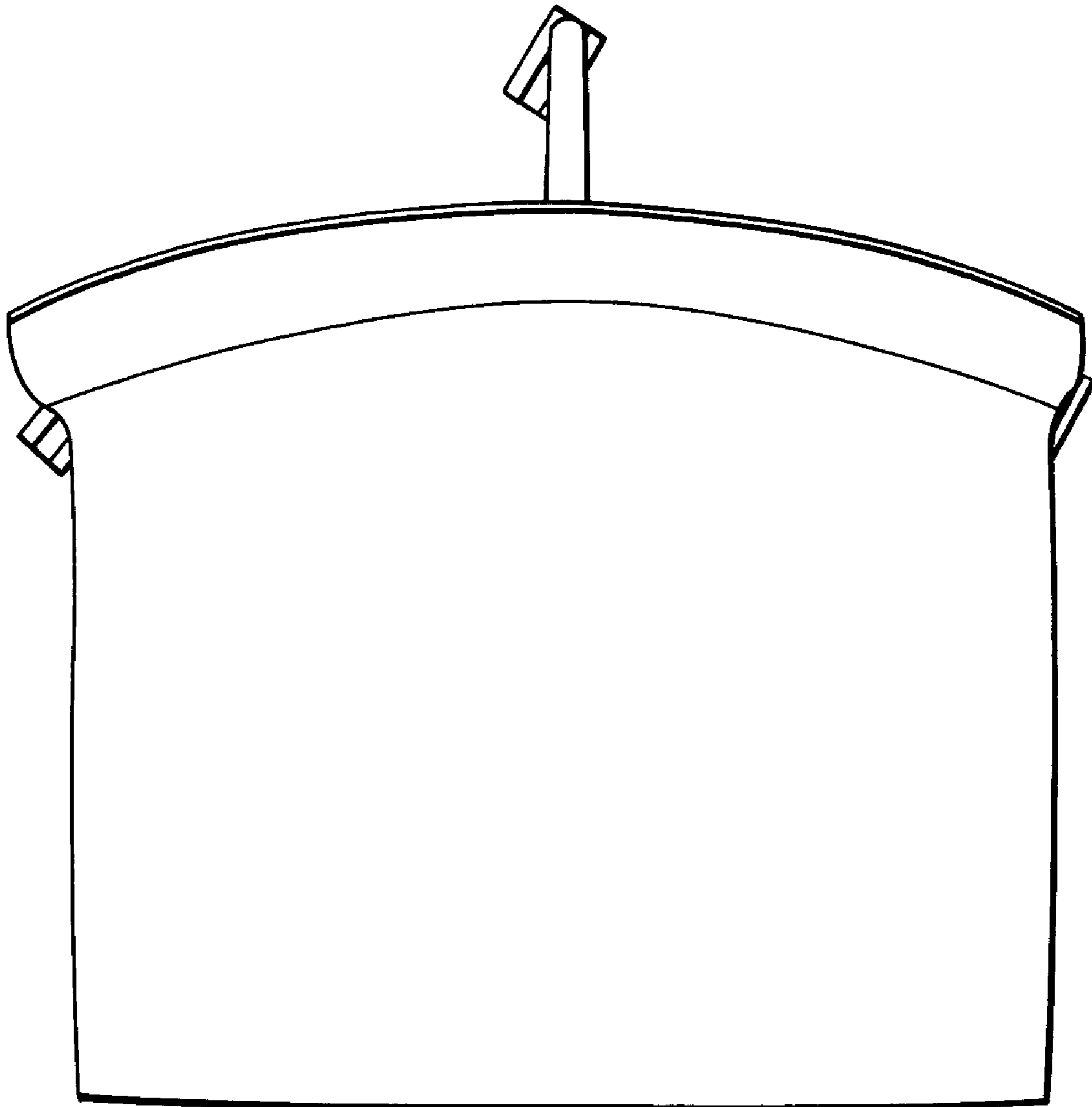


Fig. 13

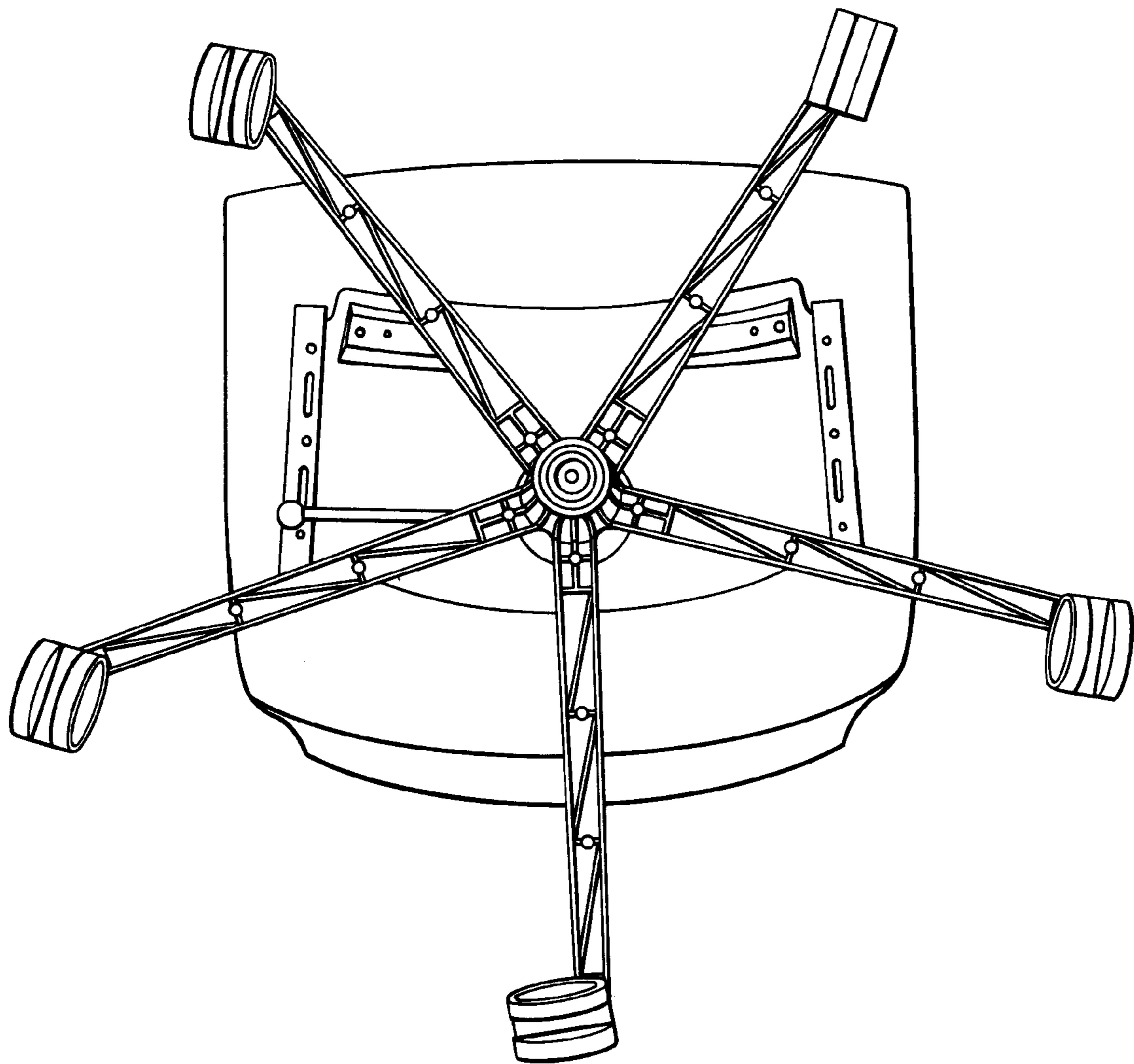


FIG. 14